

US00D582718S

(12) **United States Design Patent**
Chandler

(10) **Patent No.:** **US D582,718 S**

(45) **Date of Patent:** **** Dec. 16, 2008**

(54) **EGG POACHER**

(75) Inventor: **Christine Chandler**, Frenchs Forest (AU)

(73) Assignee: **The Chefs Toolbox Pty Ltd.**, Alexandria, NSW (AU)

(**) Term: **14 Years**

(21) Appl. No.: **29/317,487**

(22) Filed: **Apr. 30, 2008**

(30) **Foreign Application Priority Data**

Nov. 1, 2007 (AU) 20559/2007

(51) **LOC (8) Cl.** **07-02**

(52) **U.S. Cl.** **D7/360; D7/503**

(58) **Field of Classification Search** D7/315-31, D7/354-357, 360, 376, 412, 503-509, 543-545, D7/584-586; D26/6, 9; D30/129; 99/348, 99/472, 485, 494, 505, 508; 211/14, 74; 220/573.1-573.3, 574-574.2, 912; 366/130, 366/200

See application file for complete search history.

(56) **References Cited**

U.S. PATENT DOCUMENTS

505,323 A * 9/1893 Nicholson 211/14
D234,180 S * 1/1975 Dart et al. D7/584

D394,513 S * 5/1998 Davis D26/6
D466,256 S * 11/2002 Kaplan D30/129
D480,909 S * 10/2003 Morgan D7/354
D487,672 S * 3/2004 Cote et al. D7/545
D552,271 S * 10/2007 Timmann et al. D26/9
D565,356 S * 4/2008 Mellen et al. D7/586
D568,109 S * 5/2008 Weber D7/545
D569,679 S * 5/2008 Lion et al. D7/357

* cited by examiner

Primary Examiner—Caron Veynar

Assistant Examiner—Ricky Pham

(74) *Attorney, Agent, or Firm*—Gardere Wynne Sewell, LLP

(57) **CLAIM**

The ornamental design for an egg poacher, as shown and described.

DESCRIPTION

FIG. 1 is a perspective view of an egg poacher, showing my new design;

FIG. 2 is a front elevation view thereof;

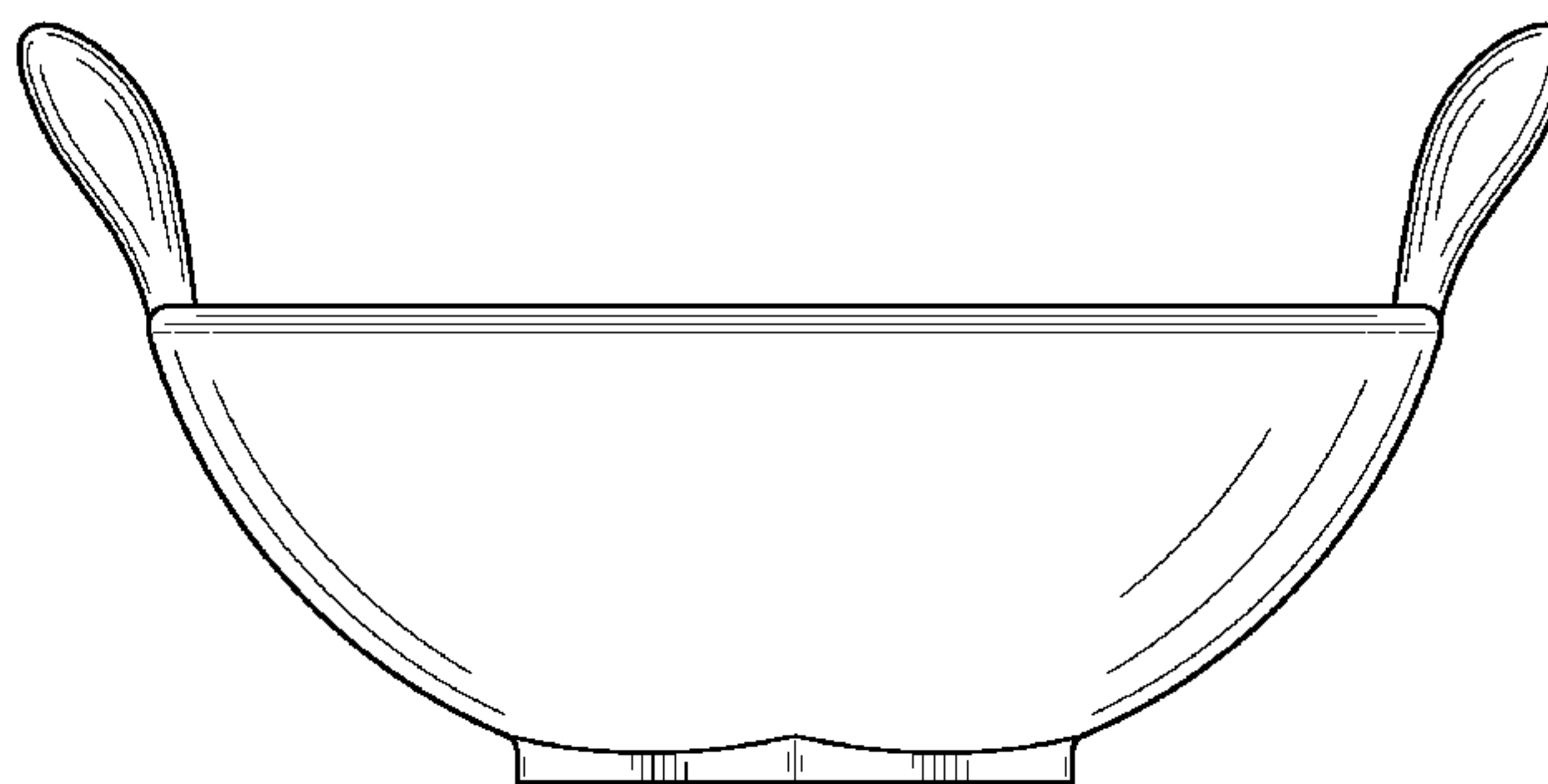
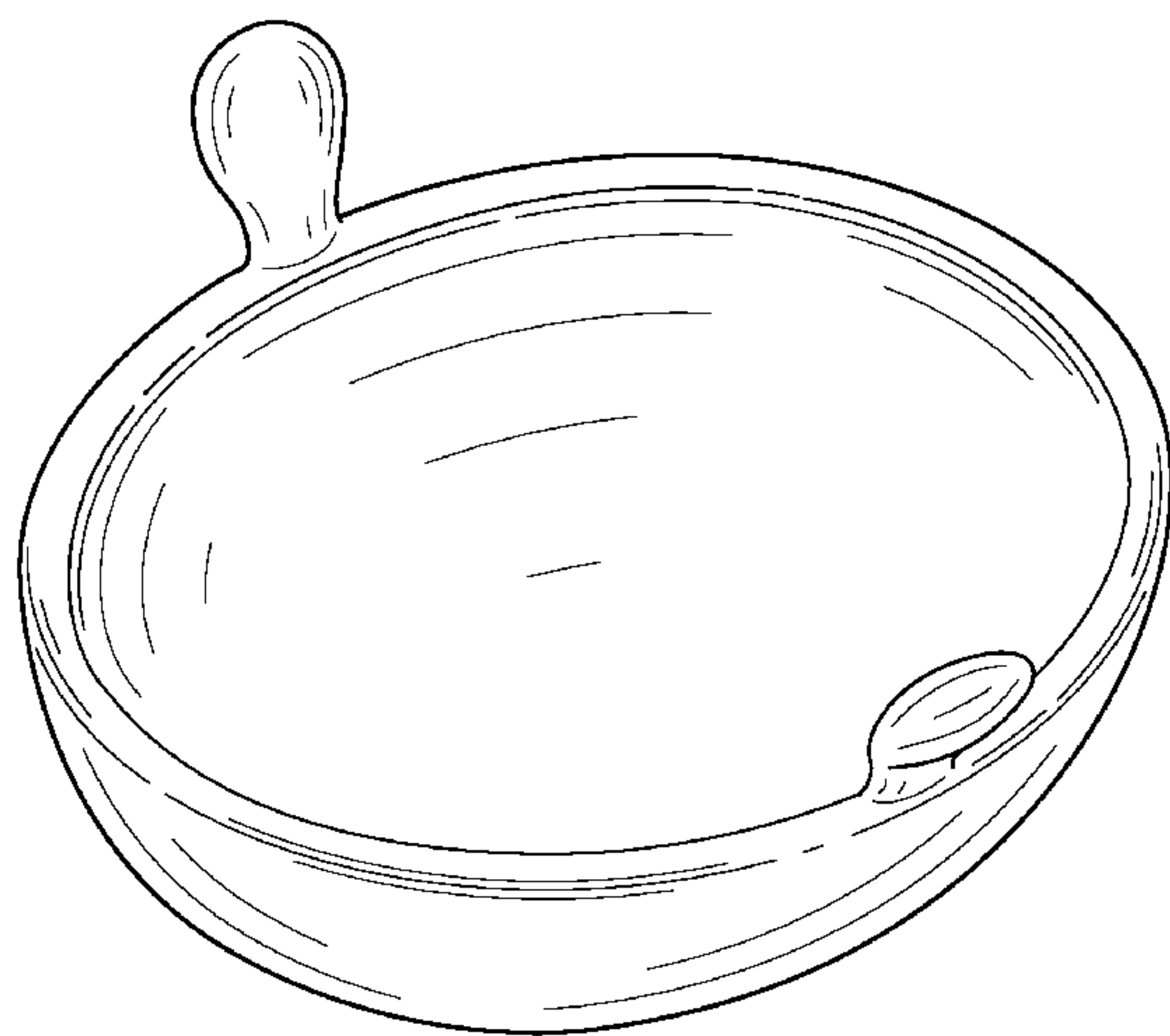
FIG. 3 is a side elevation view thereof;

FIG. 4 is a top plan view thereof; and,

FIG. 5 is a bottom plan view thereof.

The broken lines are for illustrative purposes only and form no part of the claimed design.

1 Claim, 5 Drawing Sheets



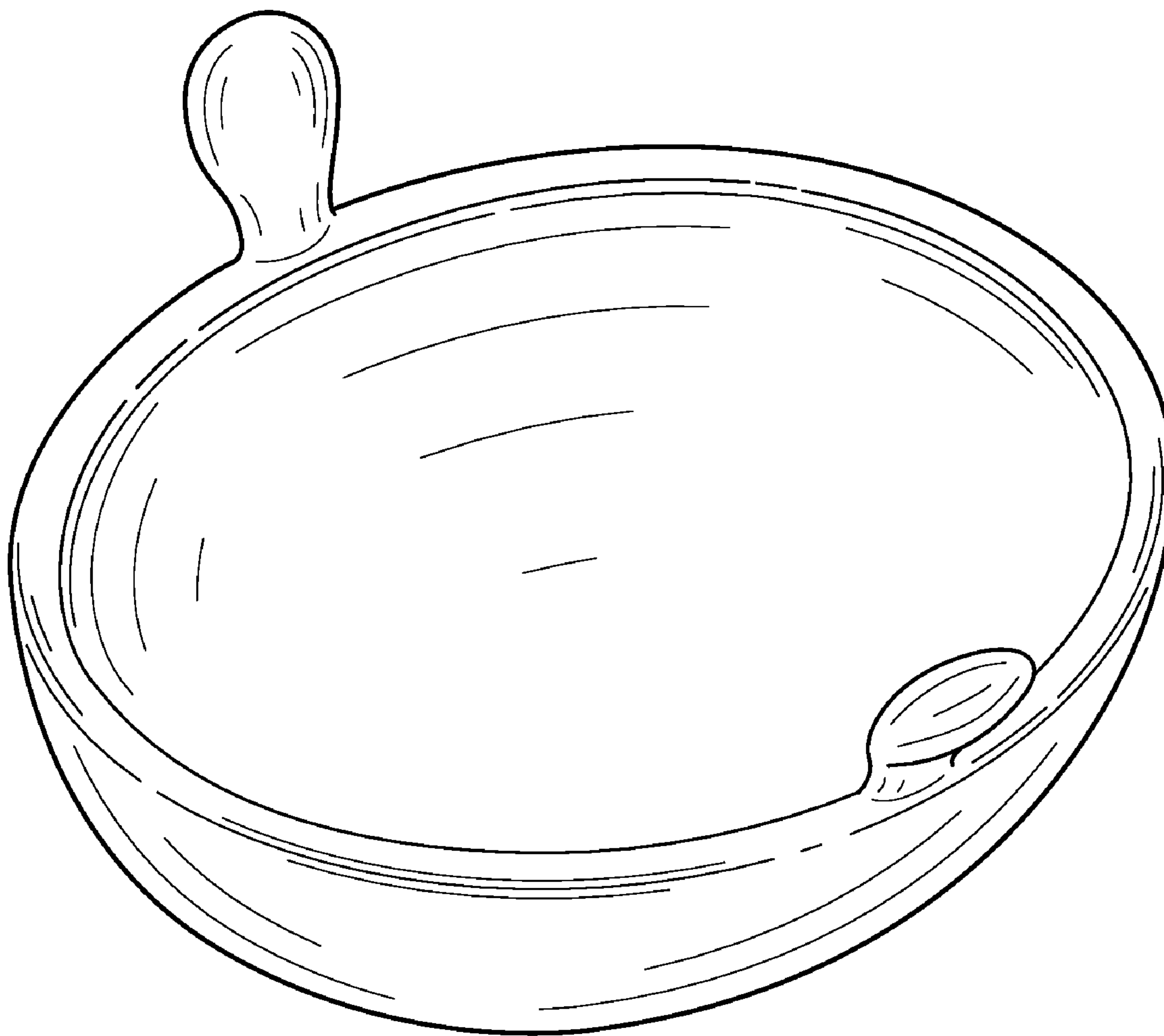


FIG. 1

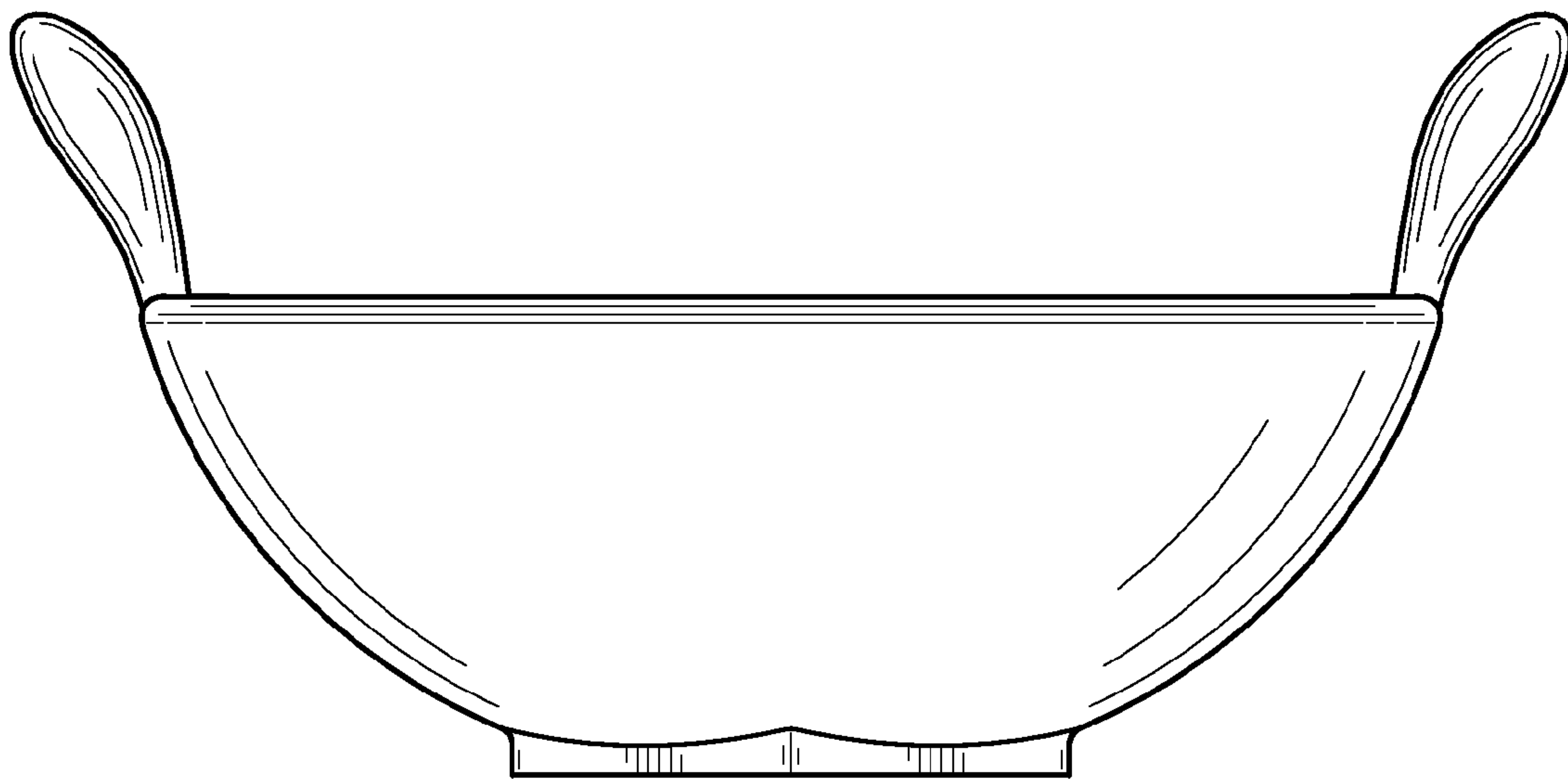


FIG. 2

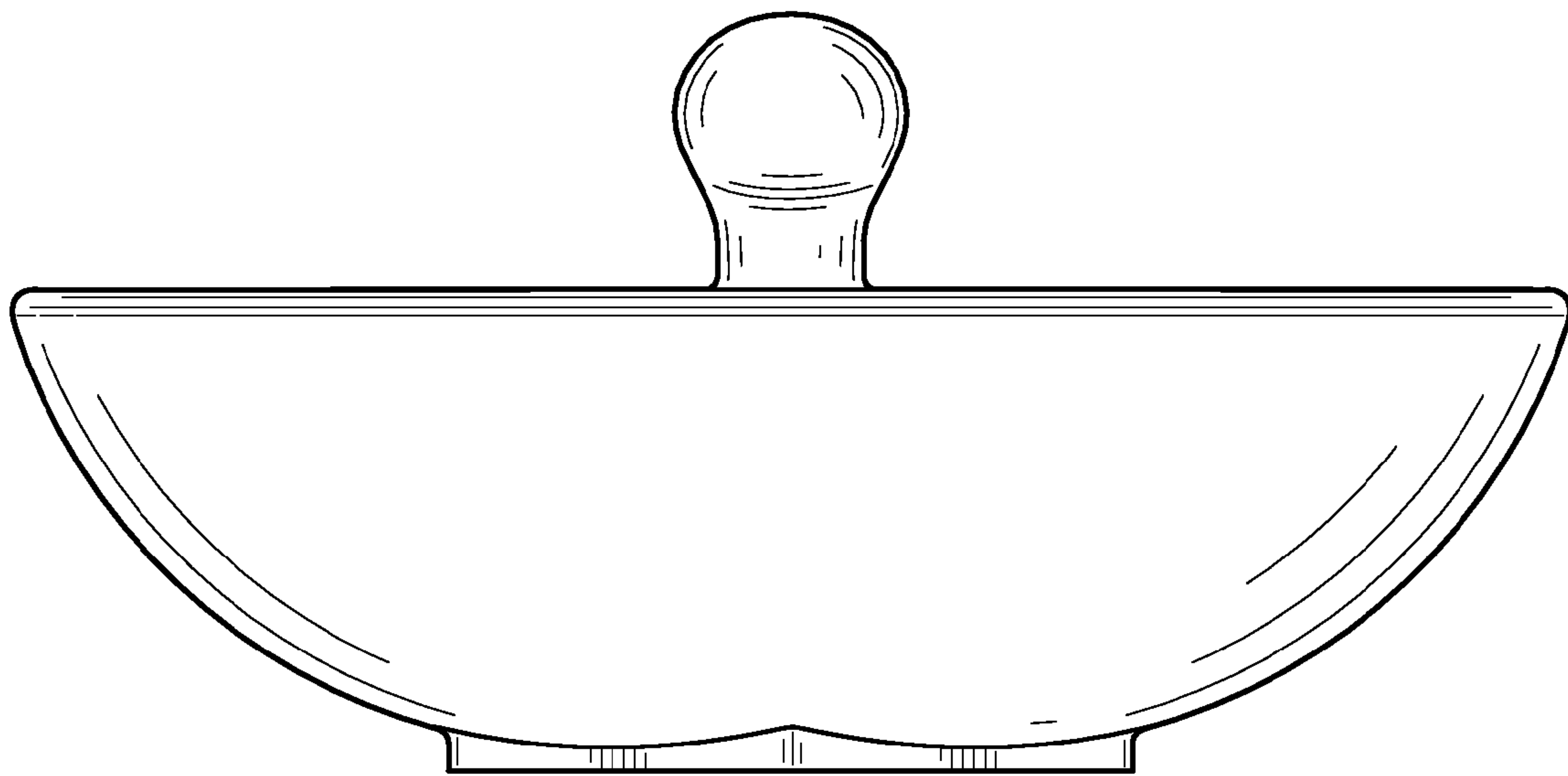


FIG. 3

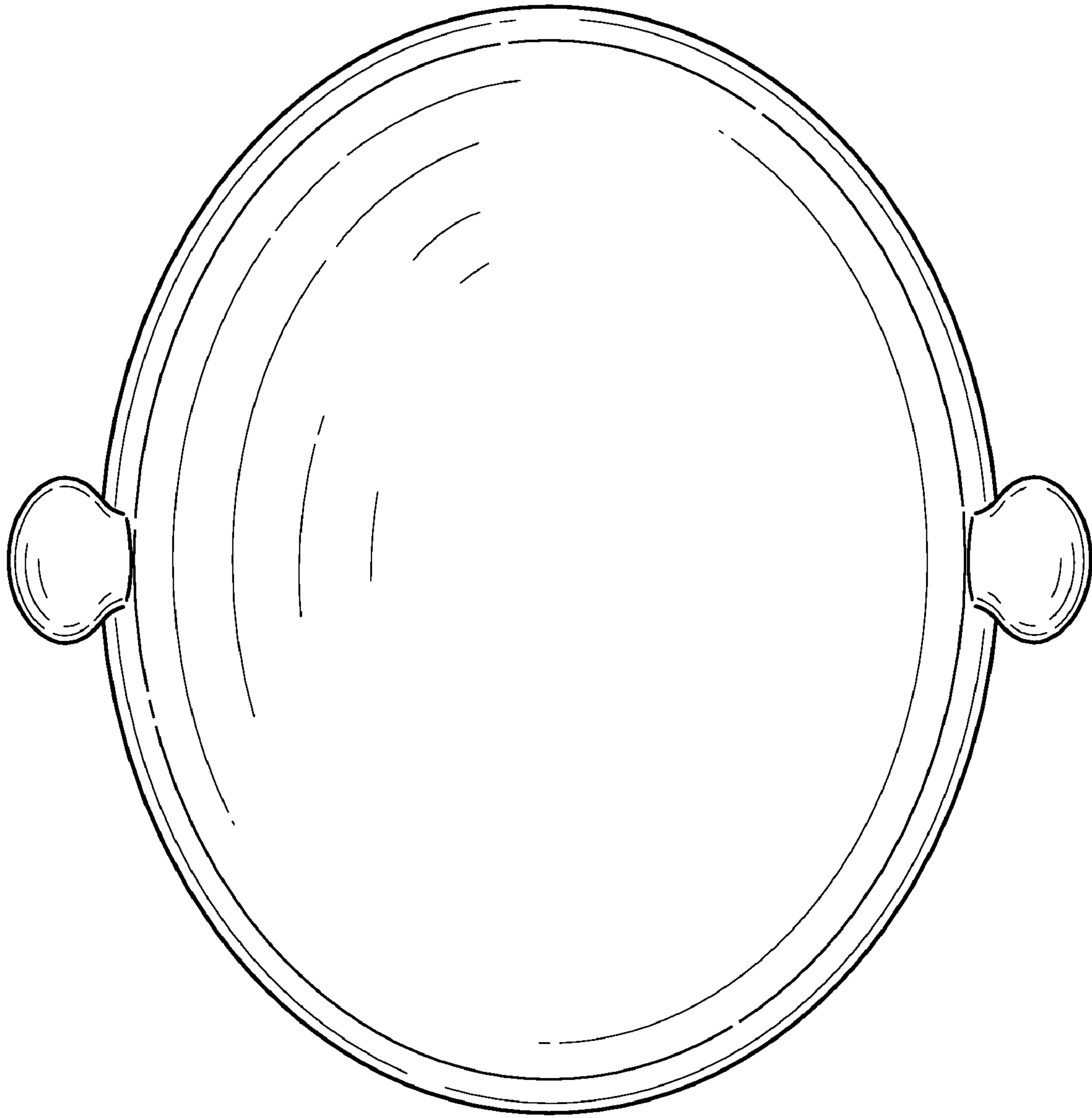


FIG. 4

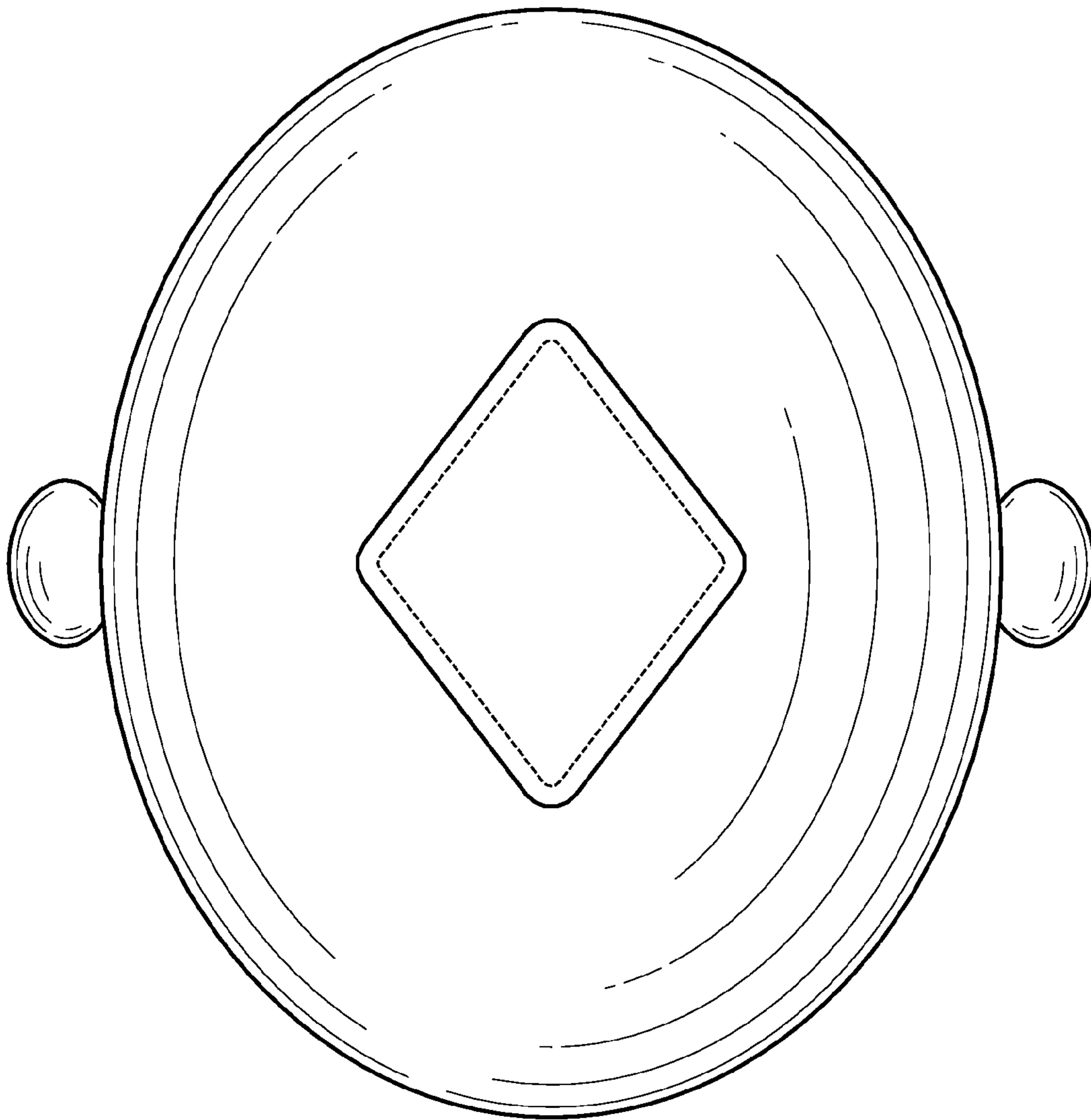


FIG. 5