



US00D582716S

(12) **United States Design Patent**
Averty

(10) **Patent No.:** **US D582,716 S**

(45) **Date of Patent:** **** Dec. 16, 2008**

(54) **COOKING GRILL**

(75) Inventor: **Lionel Averty**, Dijon (FR)

(73) Assignee: **TEFAL**, Rumilly (FR)

(**) Term: **14 Years**

(21) Appl. No.: **29/302,701**

(22) Filed: **Jan. 23, 2008**

(30) **Foreign Application Priority Data**

Jul. 23, 2007 (FR) 07 3414

(51) **LOC (8) Cl.** **07-02**

(52) **U.S. Cl.** **D7/337**

(58) **Field of Classification Search** D7/332-337,
D7/402-405, 352; D23/343, 401; 126/519,
126/25 R, 25 A, 25 AA, 41 R, 29, 30, 9 R,
126/38, 37 R, 40, 50; 99/444-445, 448,
99/481-482

See application file for complete search history.

(56) **References Cited**

U.S. PATENT DOCUMENTS

D115,822 S * 7/1939 Morgan D7/337

D234,286 S * 2/1975 MaKenny et al. D7/337
D276,303 S * 11/1984 Chan D7/337
D278,505 S * 4/1985 Mackin D7/337
D290,923 S * 7/1987 Erickson D7/337
D326,792 S * 6/1992 Rodgers et al. D7/337
D450,976 S * 11/2001 Mosher D7/337

* cited by examiner

Primary Examiner—Ruth McInroy

(74) *Attorney, Agent, or Firm*—Young & Thompson

(57) **CLAIM**

The ornamental design for a cooking grill, as shown and described.

DESCRIPTION

FIG. 1 is a top, front and side perspective view of a cooking grill showing my new design;

FIG. 2 is a top plan view thereof;

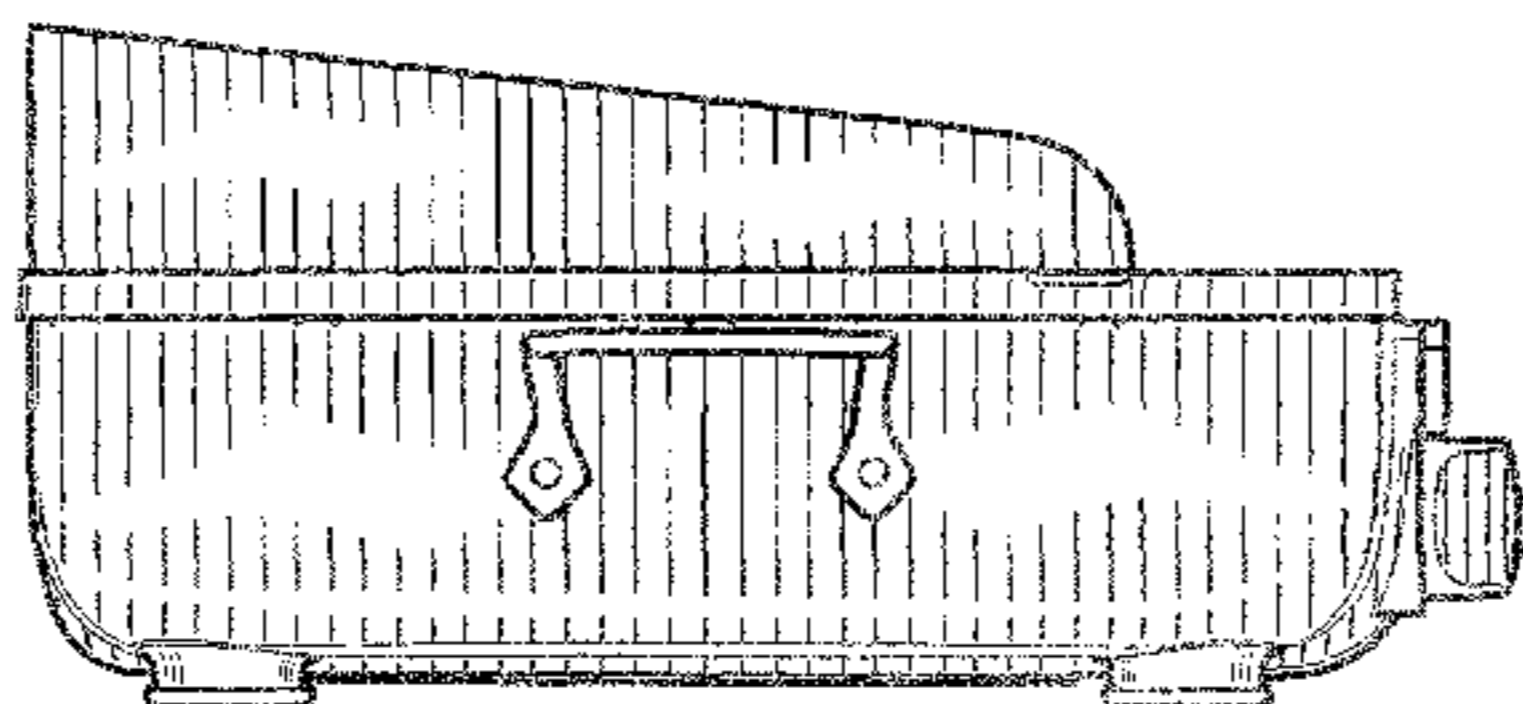
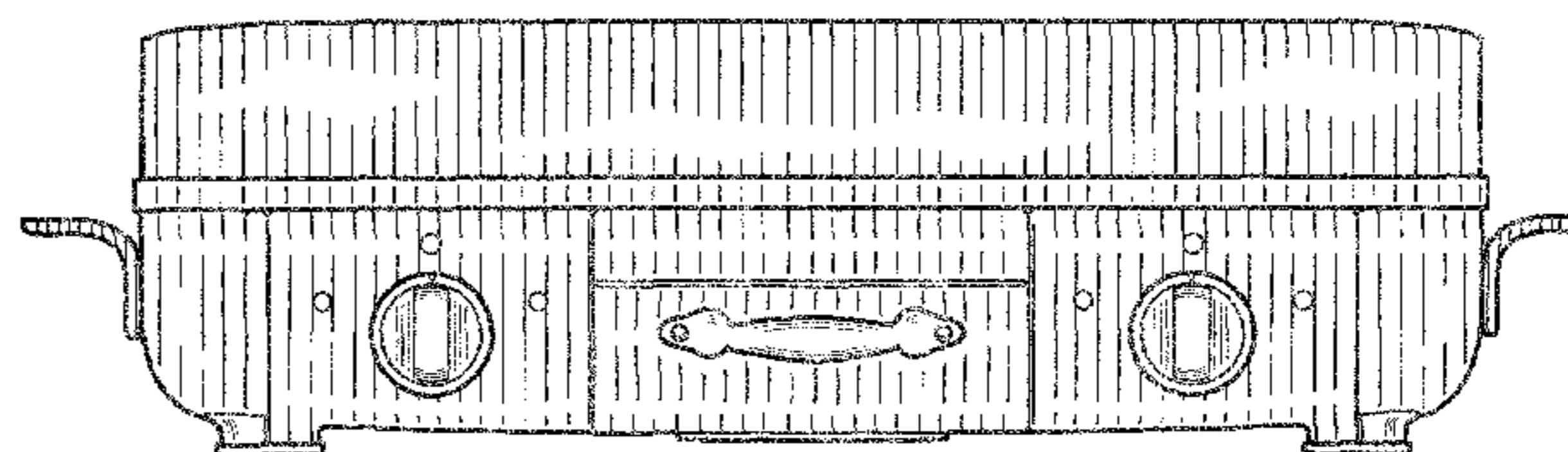
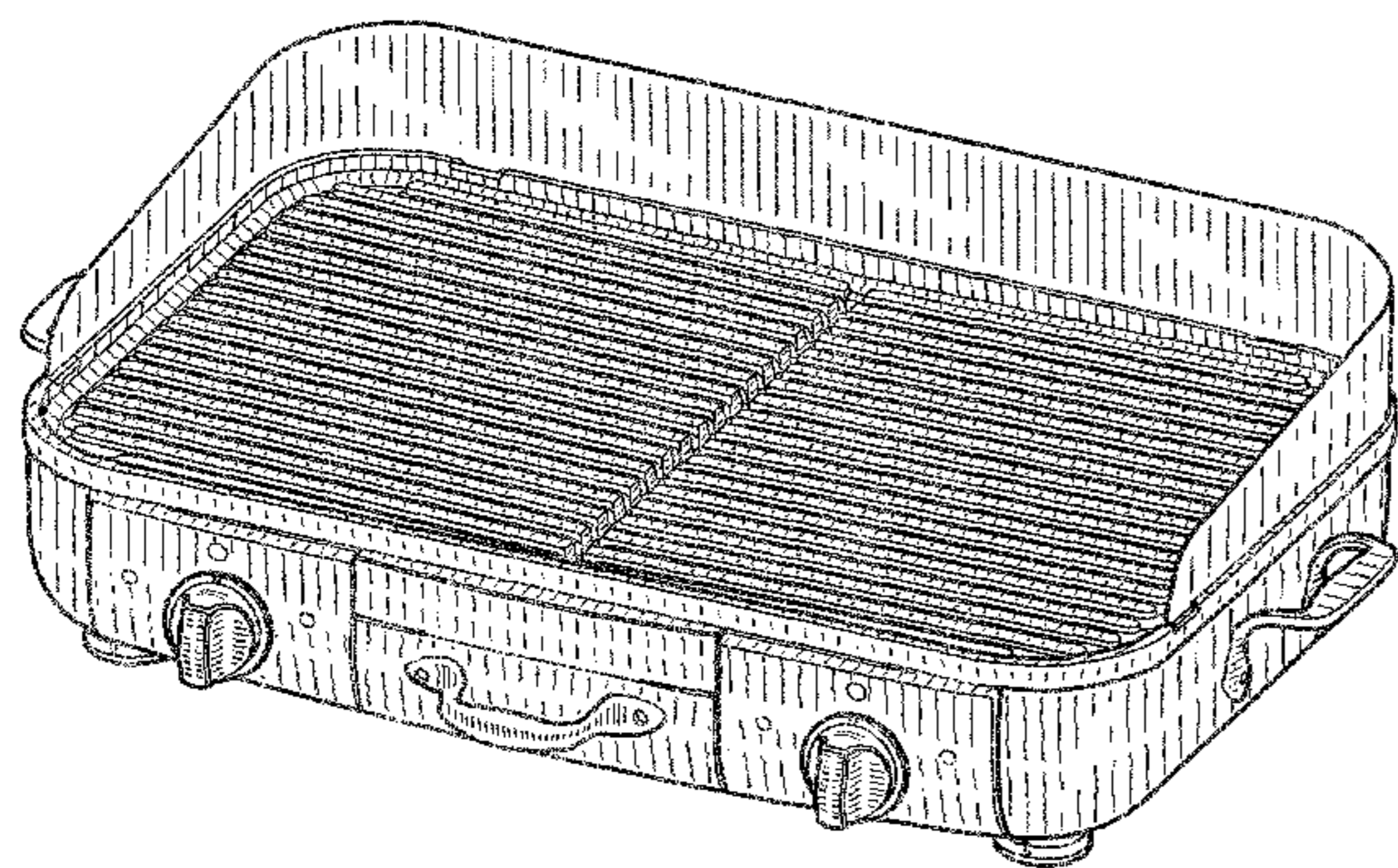
FIG. 3 is a bottom plan view thereof;

FIG. 4 is a front elevational view thereof;

FIG. 5 is a left side elevational view thereof, the right side being a mirror image; and,

FIG. 6 is a rear elevational view thereof.

1 Claim, 6 Drawing Sheets



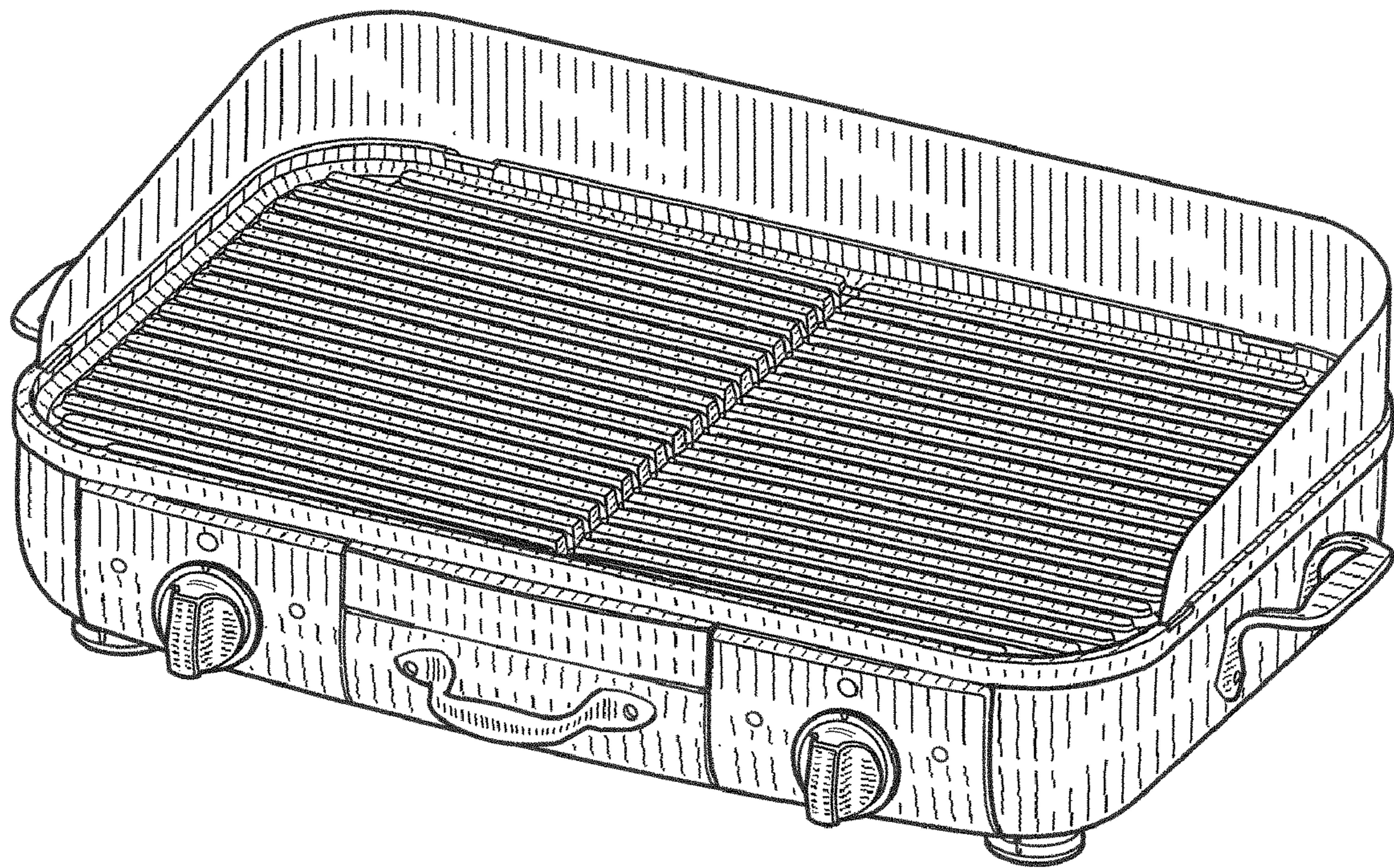


Fig. 1

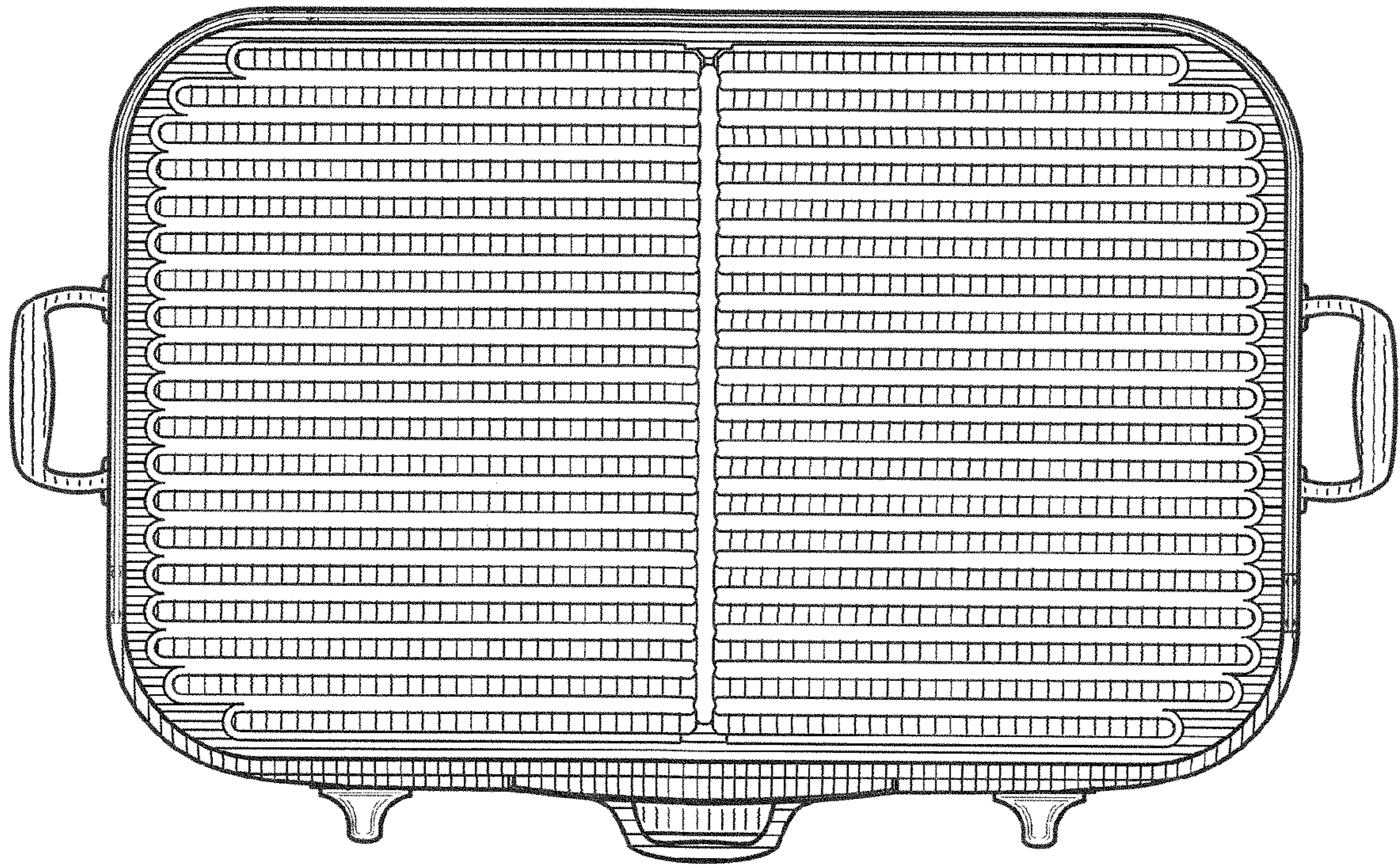


Fig. 2

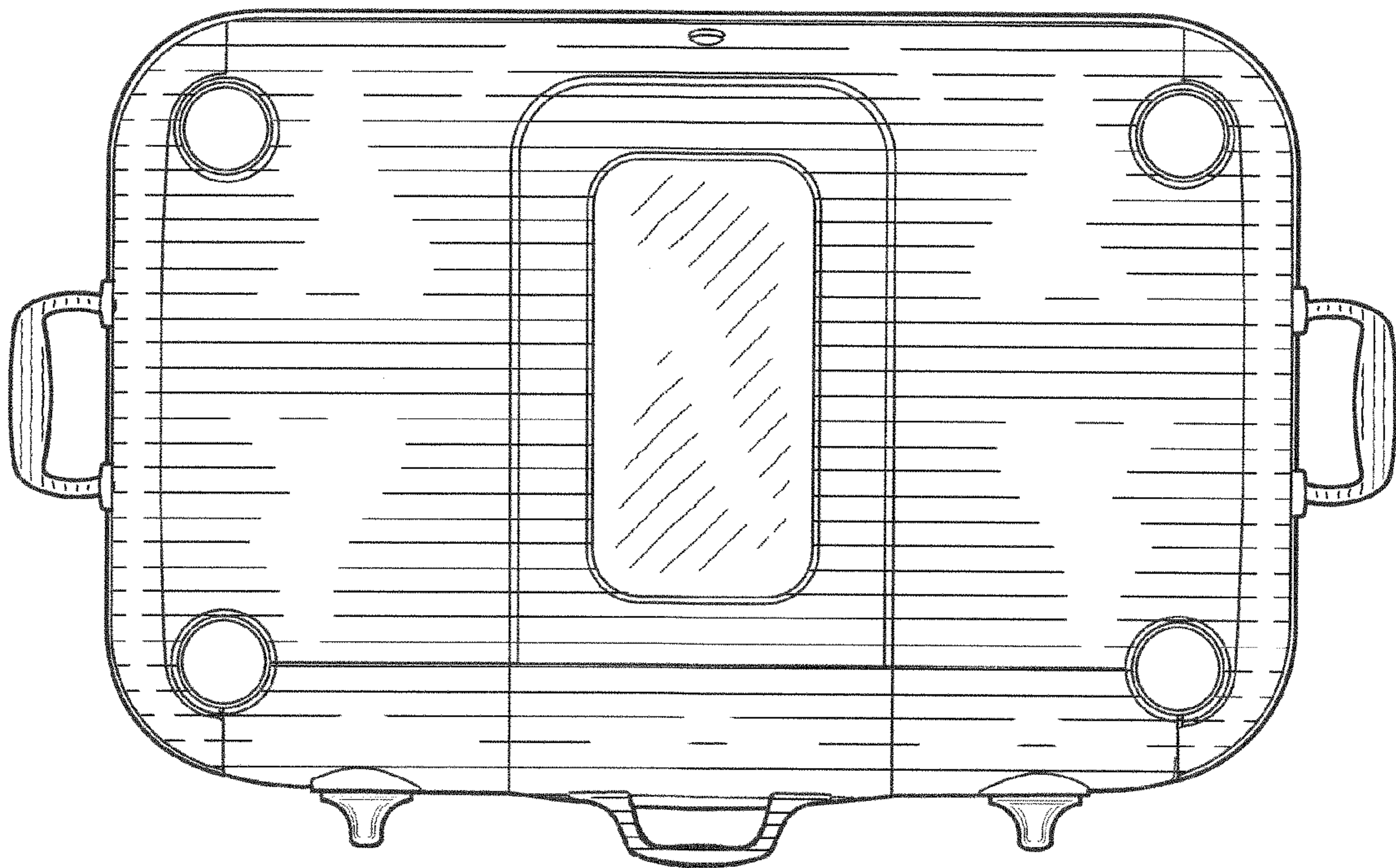


Fig. 3

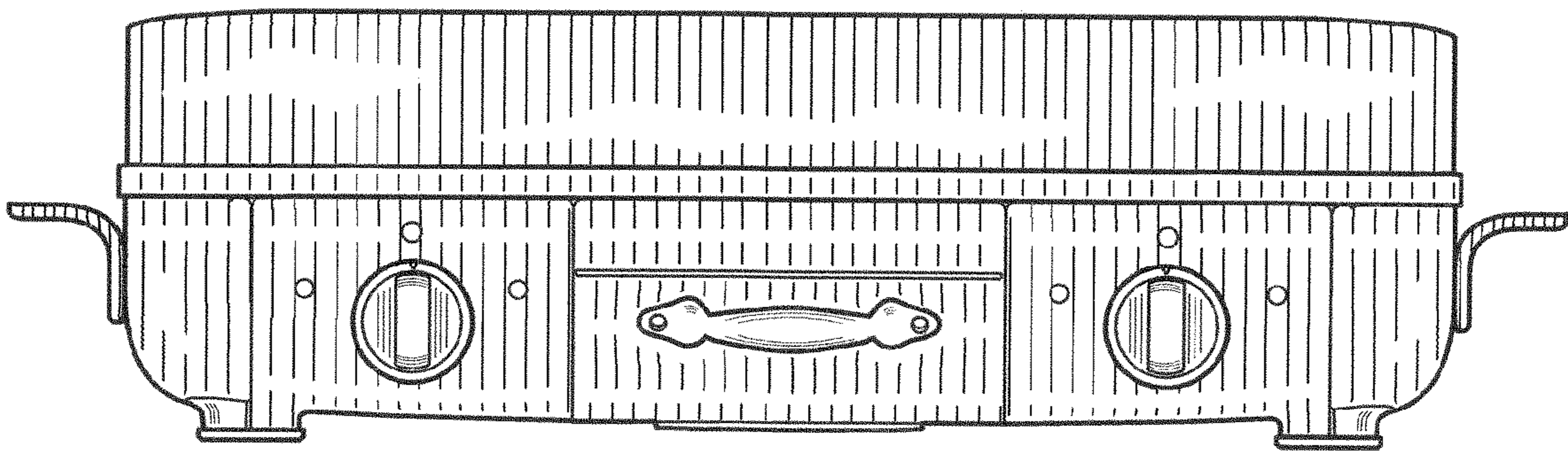


Fig. 4

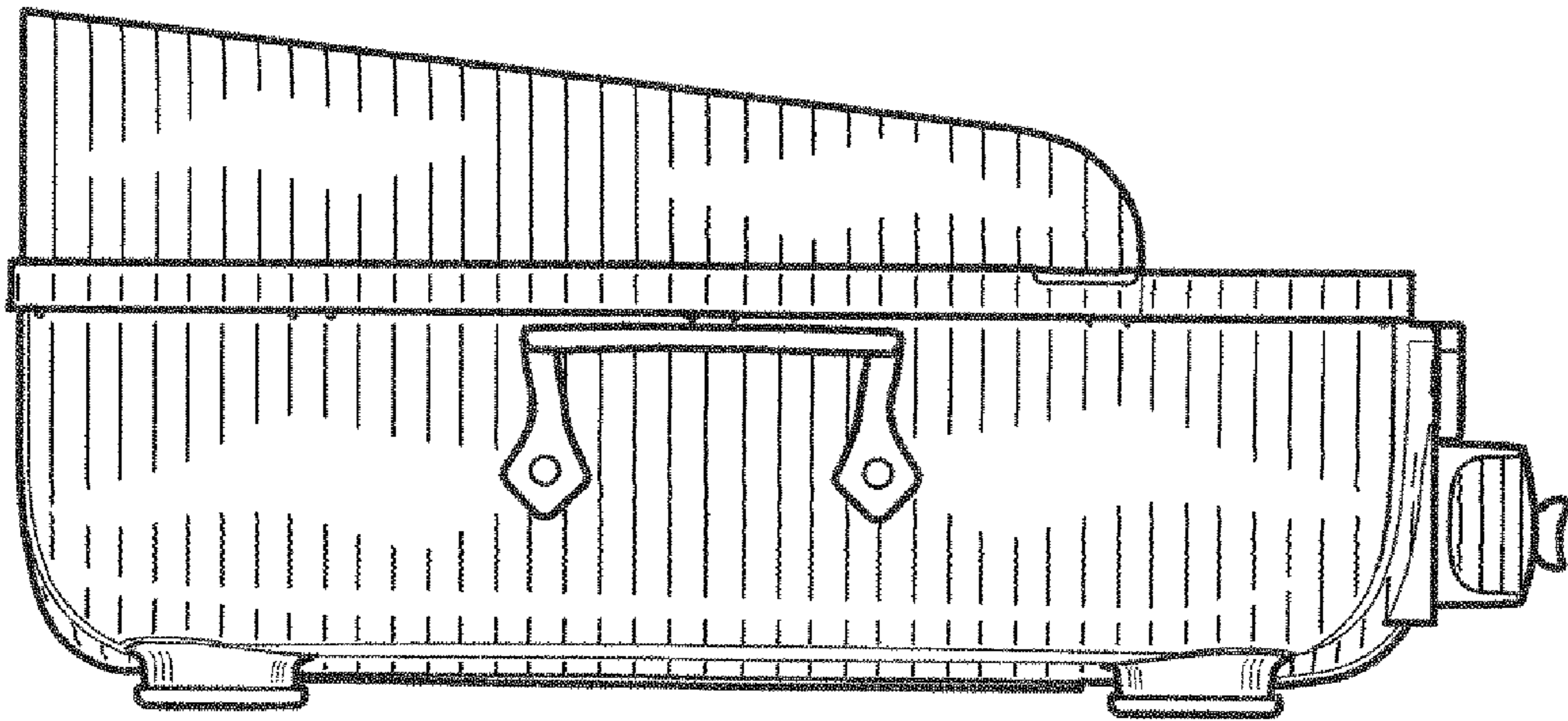


Fig. 5

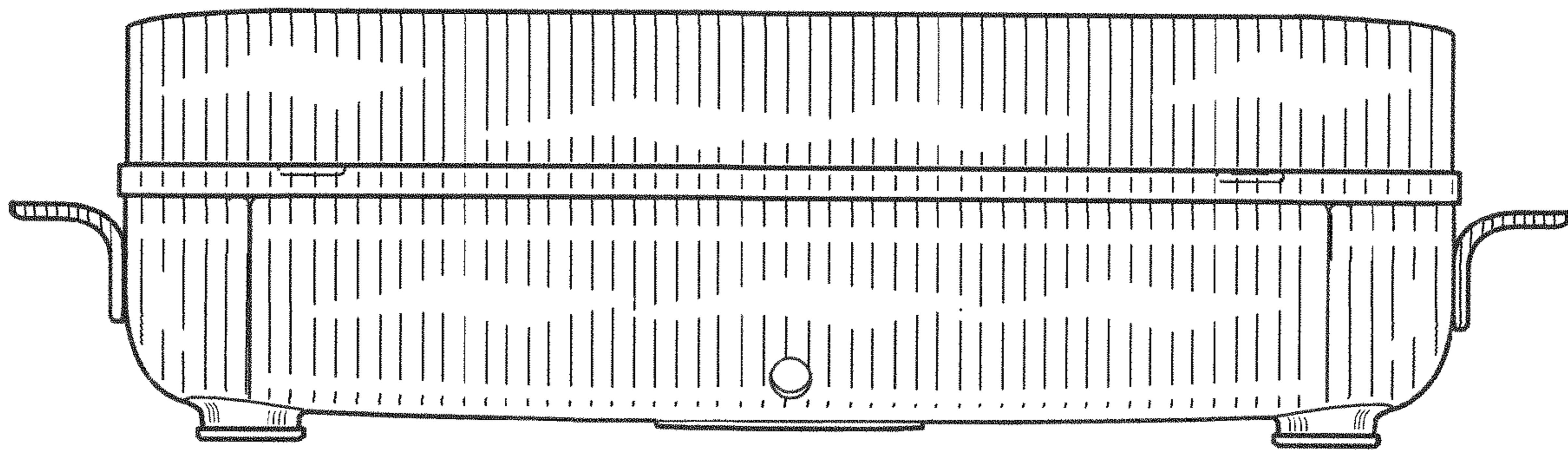


Fig. 6