



US00D582715S

(12) **United States Design Patent**
Pai

(10) **Patent No.:** **US D582,715 S**
(45) **Date of Patent:** **** Dec. 16, 2008**

(54) **GRILLER**

(76) Inventor: **Lucas Pai**, 19F-1, No. 159, Sec. 1,
Chung-Kang Rd., West Dist., Taichung
City (TW)

(**) Term: **14 Years**

(21) Appl. No.: **29/318,175**

(22) Filed: **May 15, 2008**

(51) **LOC (8) Cl.** **07-02**

(52) **U.S. Cl.** **D7/334**

(58) **Field of Classification Search** D7/332-337,
D7/402-405, 352; D23/343, 401; 126/519,
126/25 R, 25 A, 25 AA, 41 R, 29, 30, 9 R,
126/38, 37 R, 40, 50; 99/444-445, 448,
99/481-482

See application file for complete search history.

(56) **References Cited**

U.S. PATENT DOCUMENTS

D521,308 S *	5/2006	Tseng	D7/334
D535,139 S *	1/2007	Lutz	D7/334
D541,575 S *	5/2007	Lutz	D7/334
D549,511 S *	8/2007	Chung	D7/334
D549,514 S *	8/2007	Chung	D7/334

D566,456 S *	4/2008	Profitt	D7/334
D569,168 S *	5/2008	Pai	D7/334
D571,142 S *	6/2008	Chung	D7/334
D571,604 S *	6/2008	Chung	D7/334
D571,605 S *	6/2008	Chung	D7/334

* cited by examiner

Primary Examiner—Ruth McInroy

(74) *Attorney, Agent, or Firm*—Egbert Law Offices

(57) **CLAIM**

The ornamental design for a griller, as shown and described.

DESCRIPTION

FIG. 1 is an upper perspective view of the griller showing my design.

FIG. 2 is a front view thereof;

FIG. 3 is a back view thereof;

FIG. 4 is a side view thereof;

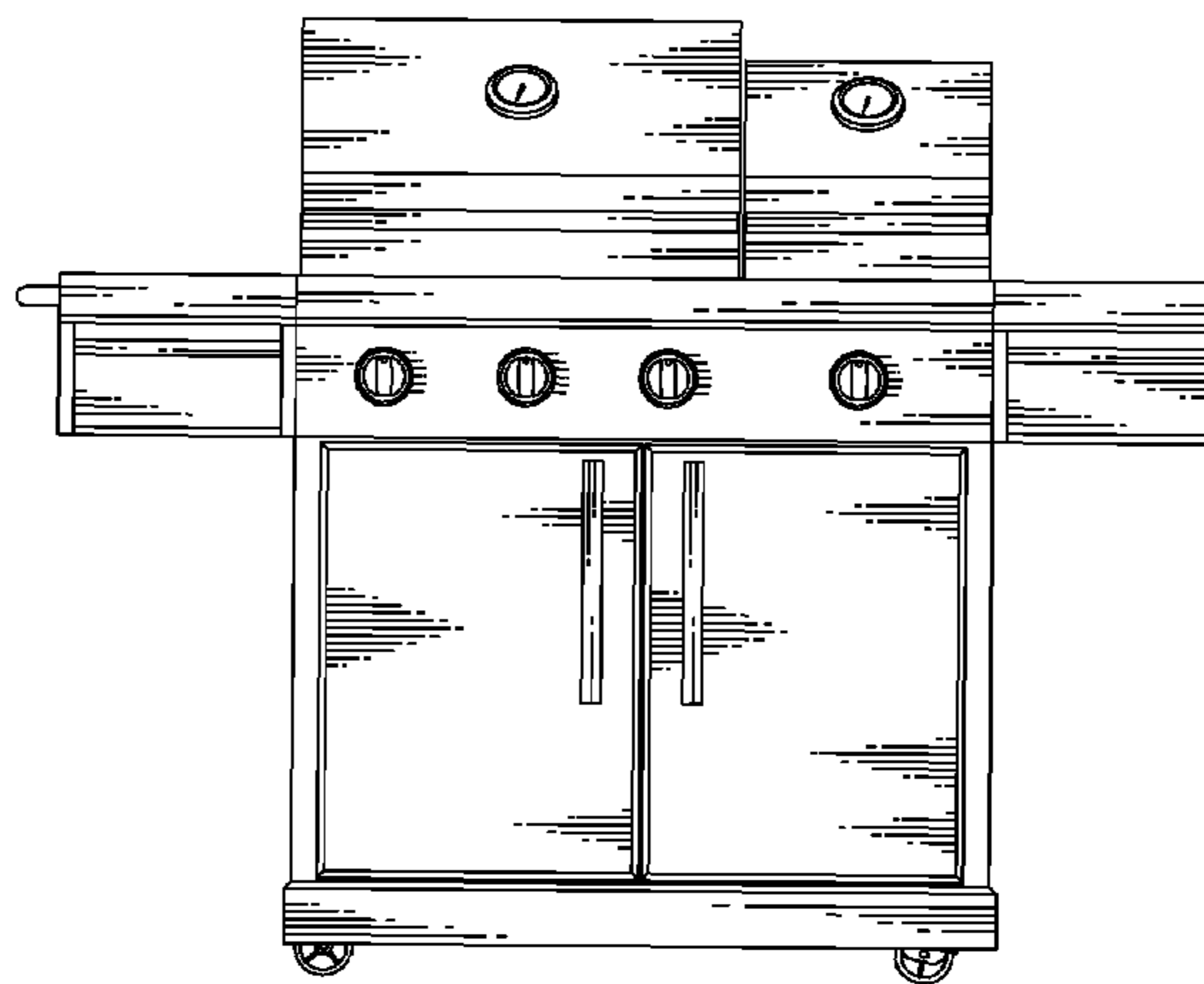
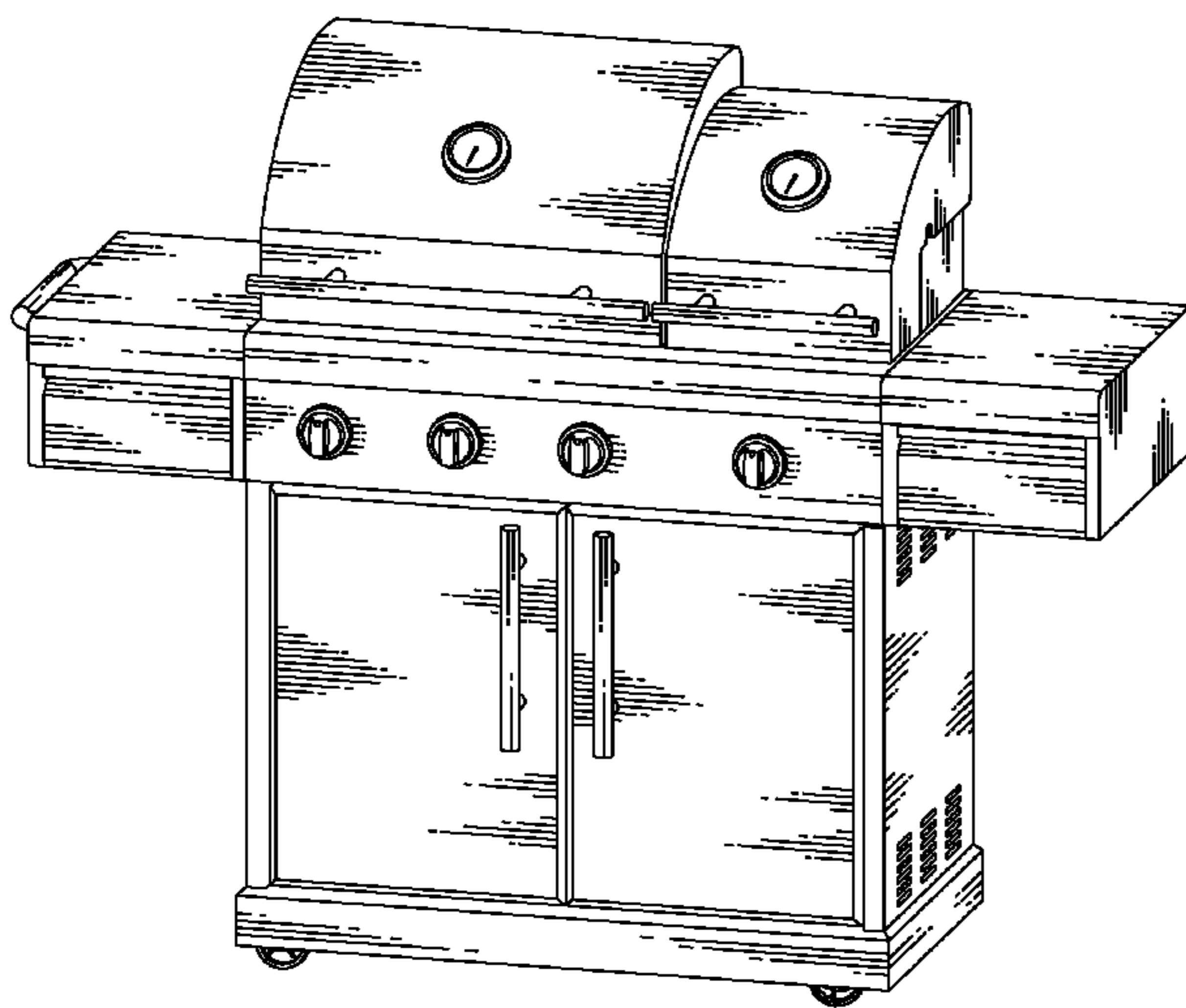
FIG. 5 is an opposite side view thereof;

FIG. 6 is top view thereof; and,

FIG. 7 is a bottom view thereof.

The griller is a grill for cooking food.

1 Claim, 4 Drawing Sheets



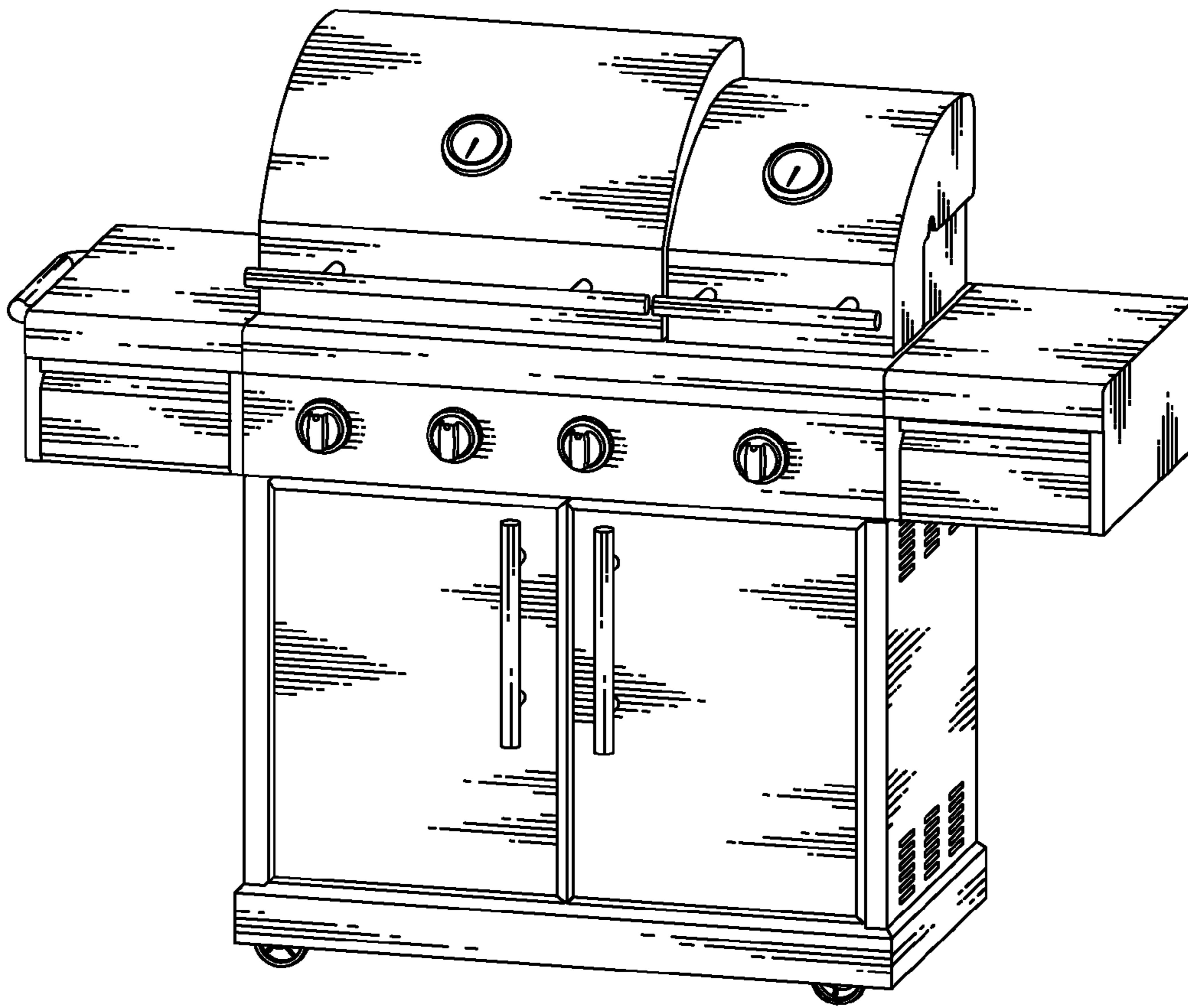


FIG.1

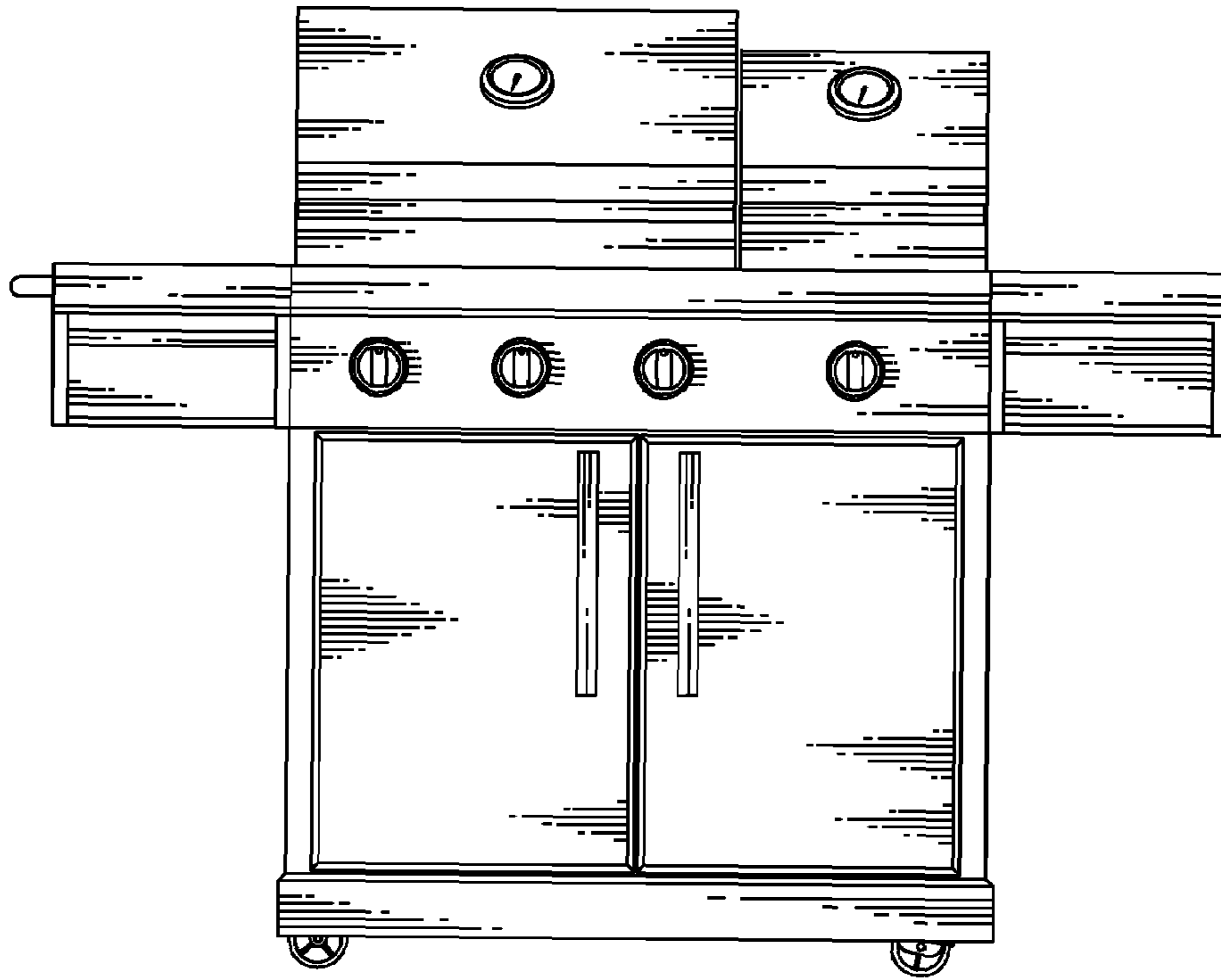


FIG. 2

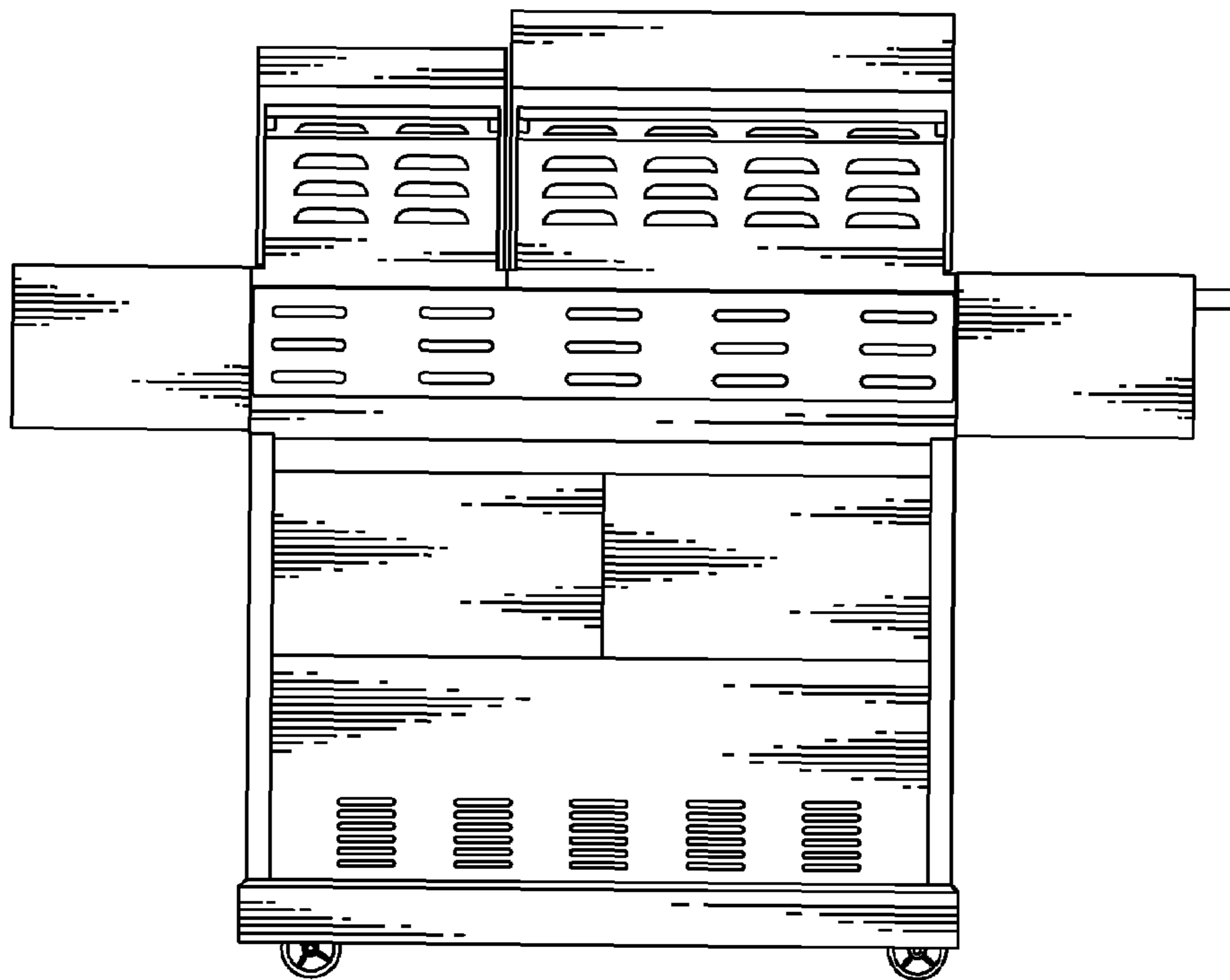


FIG. 3

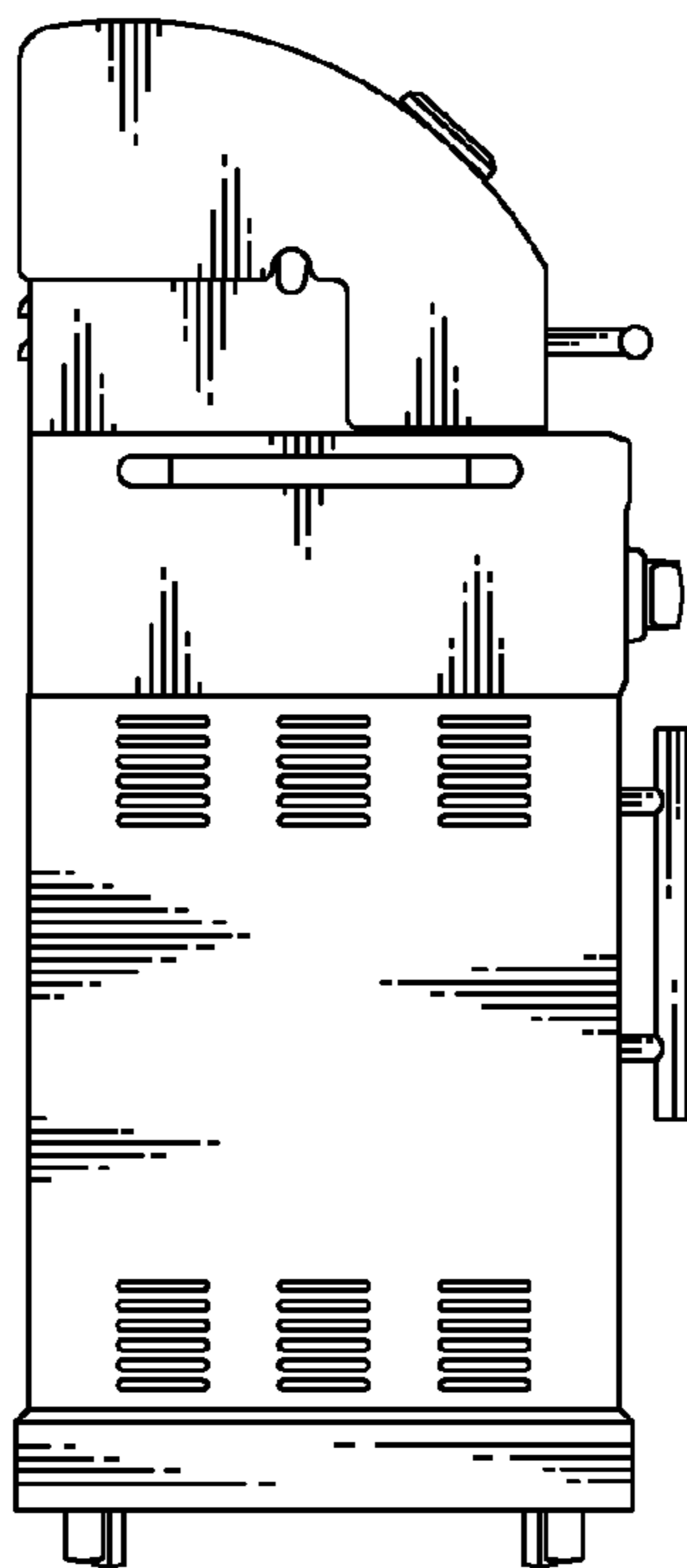


FIG. 4

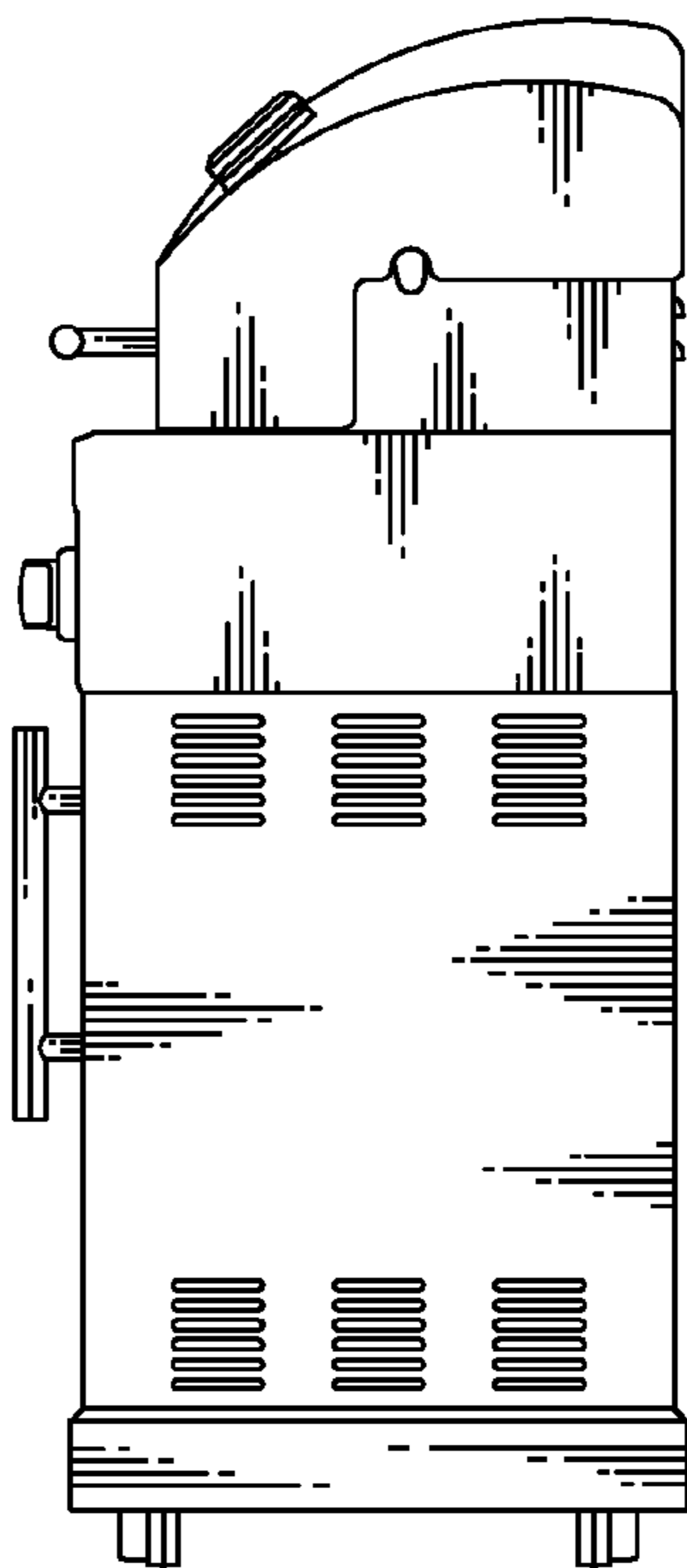


FIG. 5

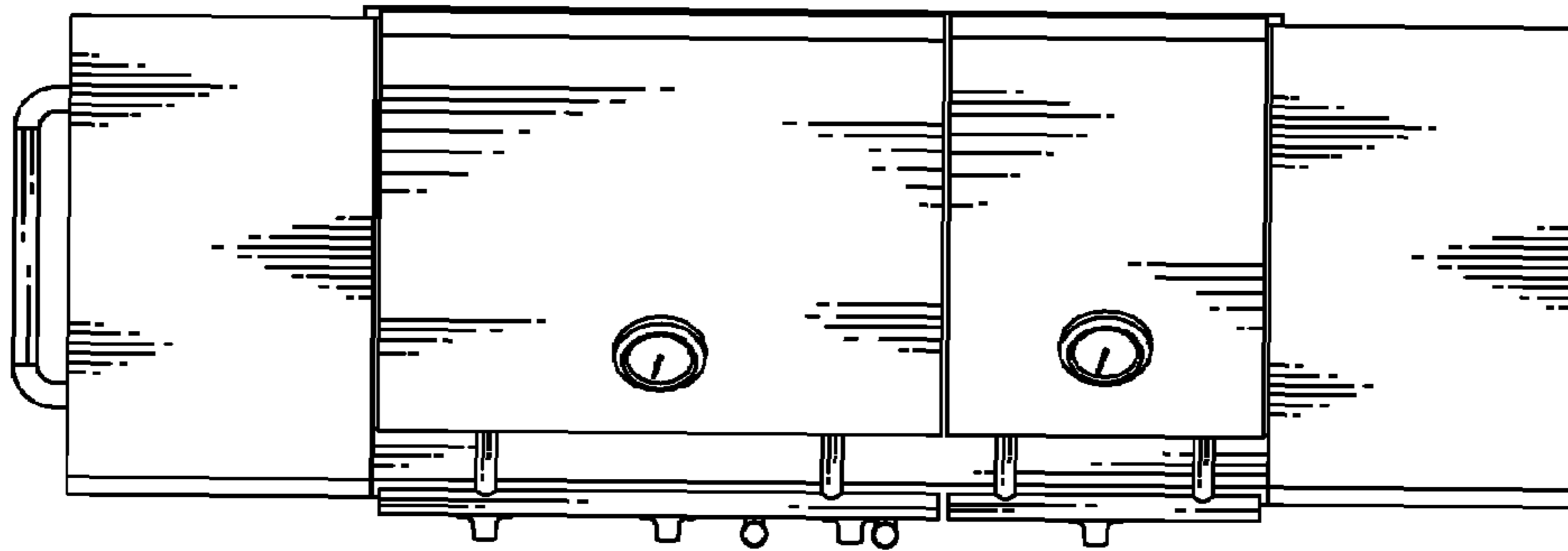


FIG. 6

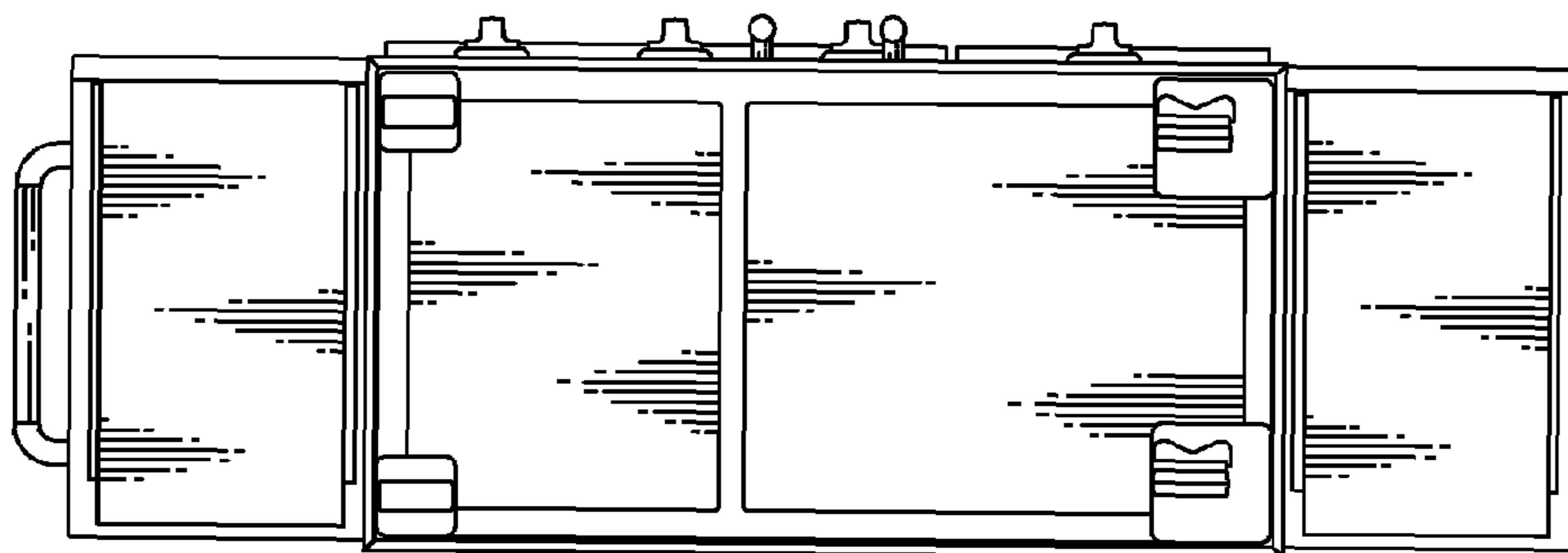


FIG. 7