



US00D582714S

(12) **United States Design Patent**
Hensel

(10) **Patent No.:** **US D582,714 S**

(45) **Date of Patent:** **** Dec. 16, 2008**

(54) **SINGLE SERVE COFFEE BREWER**

(75) Inventor: **Keith James Hensel**, Lane Cove (AU)

(73) Assignee: **Breville Pty Ltd**, Botany, New South Wales (AU)

(**) Term: **14 Years**

(21) Appl. No.: **29/281,863**

(22) Filed: **Jul. 5, 2007**

(51) **LOC (8) Cl.** **07-01**

(52) **U.S. Cl.** **D7/309**

(58) **Field of Classification Search** D7/300,
D7/305, 306, 307, 308; 99/299, 284, 280,
99/283, 300; 222/129.1-129.4; 219/433
See application file for complete search history.

(56) **References Cited**

U.S. PATENT DOCUMENTS

D396,987 S *	8/1998	Seiffert	D7/309
D486,346 S *	2/2004	Jonsson	D7/309
D550,499 S *	9/2007	Argabrite et al.	D7/309
D561,514 S *	2/2008	Cortese	D7/309
D570,636 S *	6/2008	Kulujian et al.	D7/306

* cited by examiner

Primary Examiner—Holly H Baynham

Assistant Examiner—Sheryl Lane

(74) *Attorney, Agent, or Firm*—Molins & Co.

(57) **CLAIM**

I claim the ornamental design for a single serve coffee brewer, as shown and described.

DESCRIPTION

FIG. 1 is a left side elevation view of a single serve coffee brewer showing my new design;

FIG. 2 is a front elevation view thereof;

FIG. 3 is a right side elevation view thereof;

FIG. 4 is a rear elevation view thereof;

FIG. 5 is a plan view thereof;

FIG. 6 is a front right perspective view thereof;

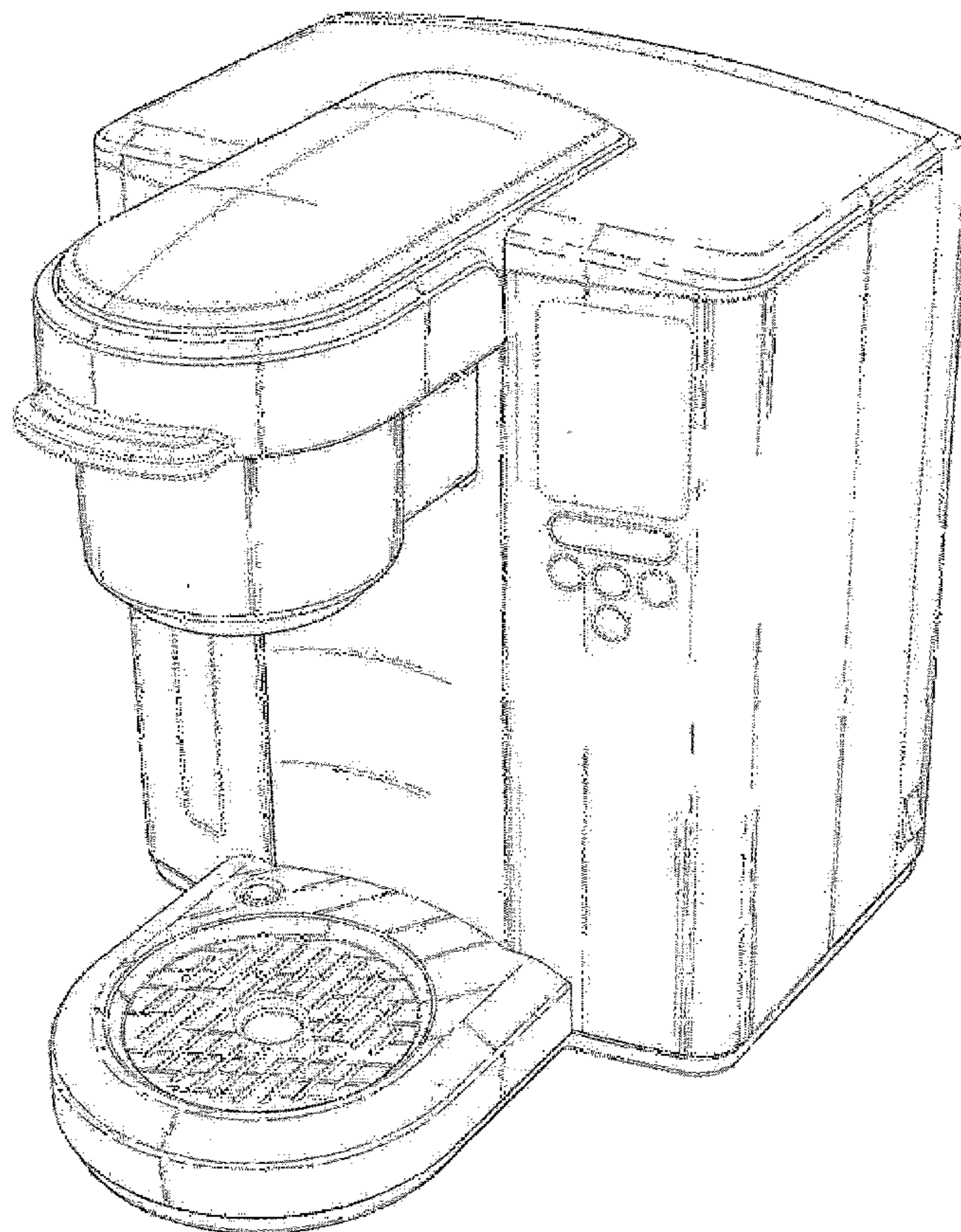
FIG. 7 is an underside view thereof;

FIG. 8 is a rear perspective view thereof; and,

FIG. 9 is a front left perspective view thereof.

The broken line showing of the coffee brewer is included for the purpose of illustrating borders and forms no part of the claimed design.

1 Claim, 9 Drawing Sheets



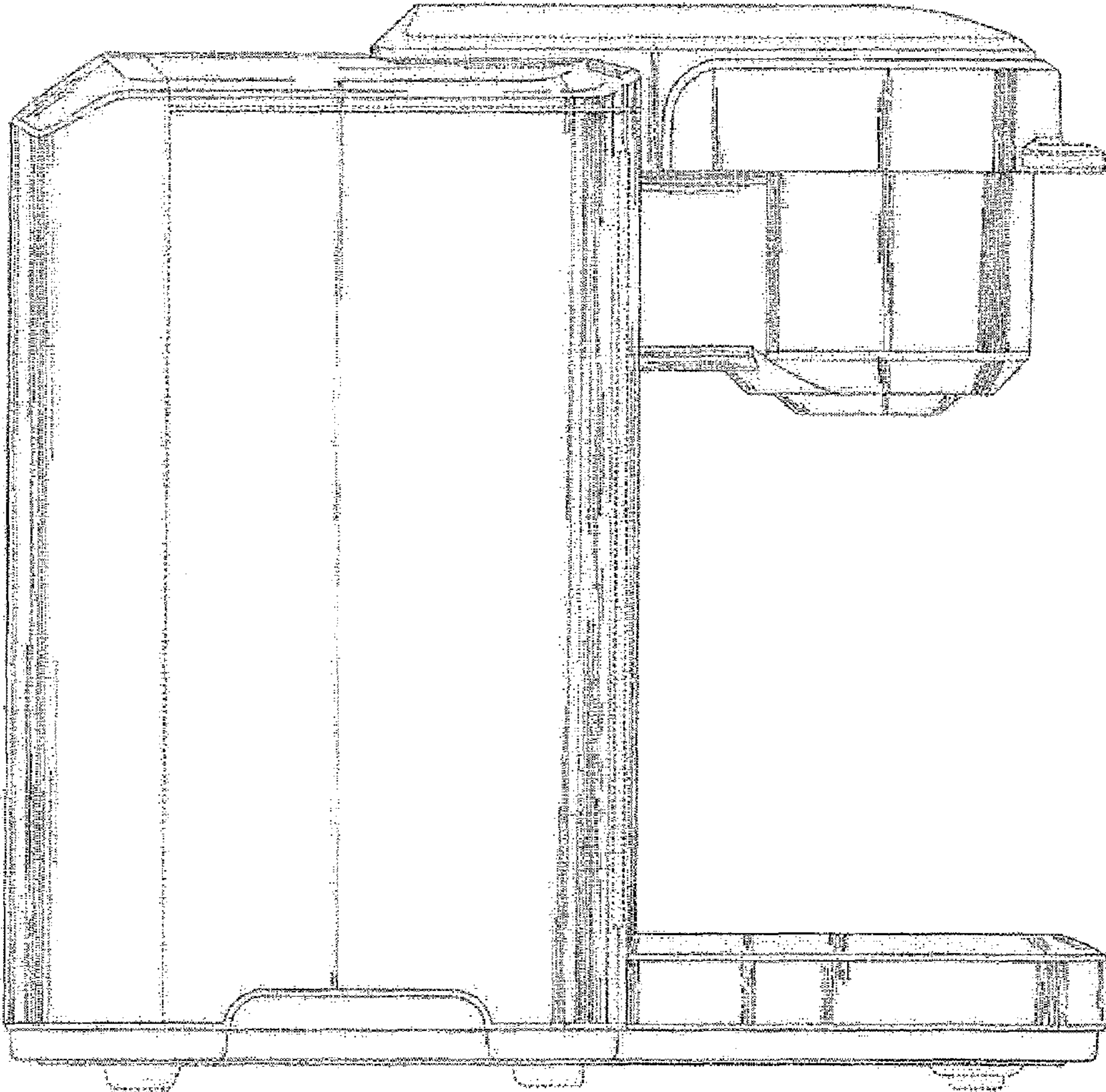


FIGURE 1

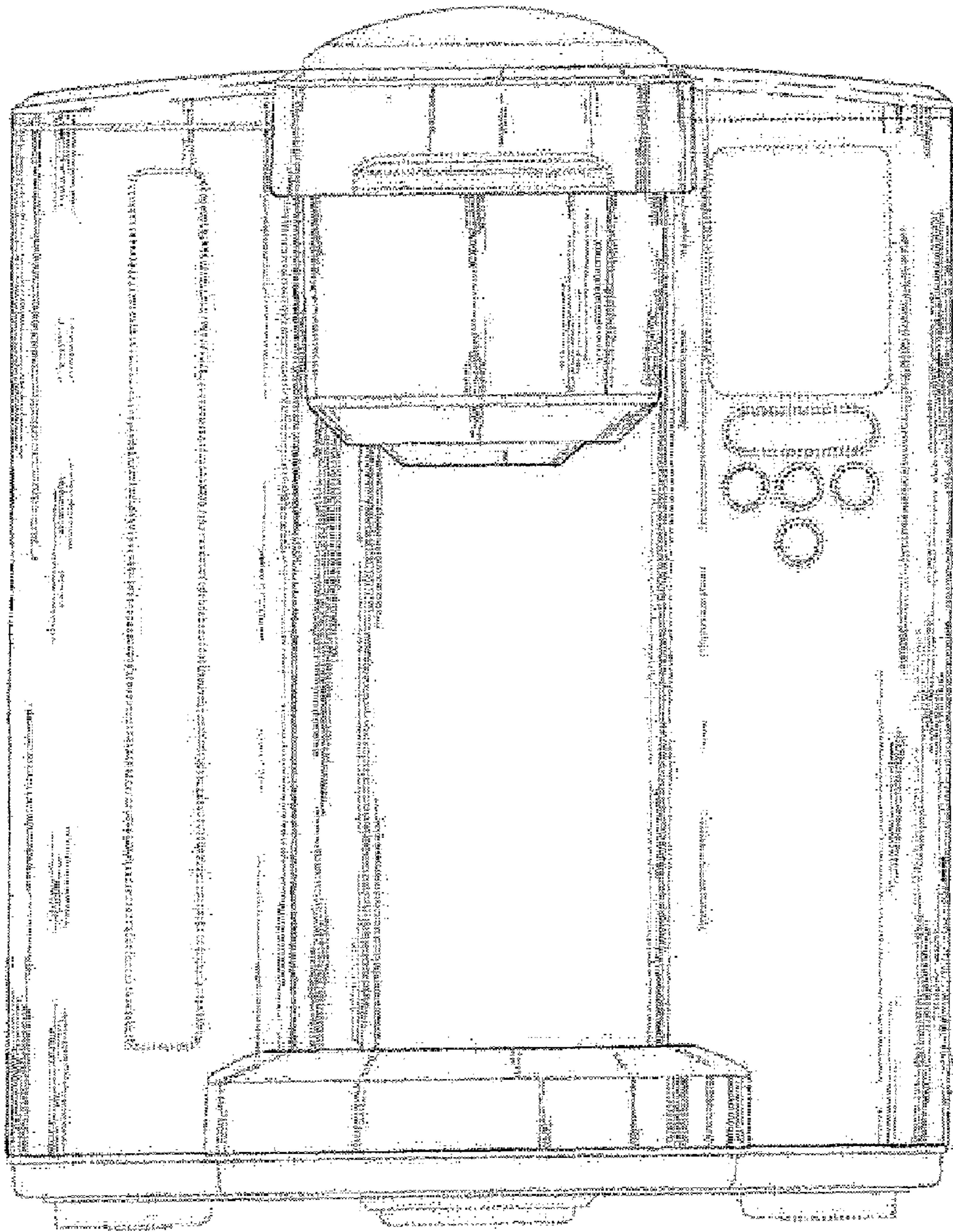


FIGURE 2

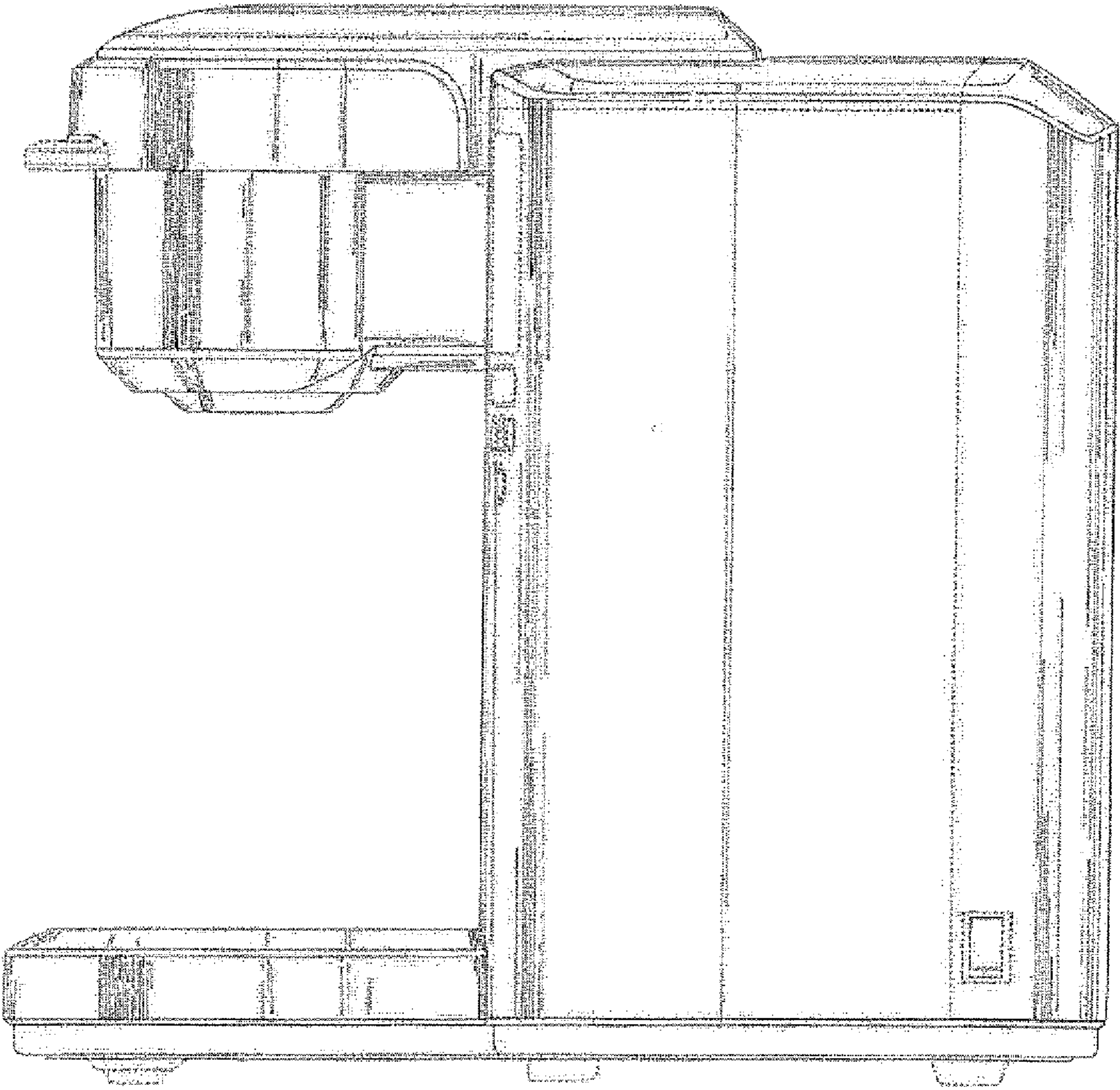


FIGURE 3

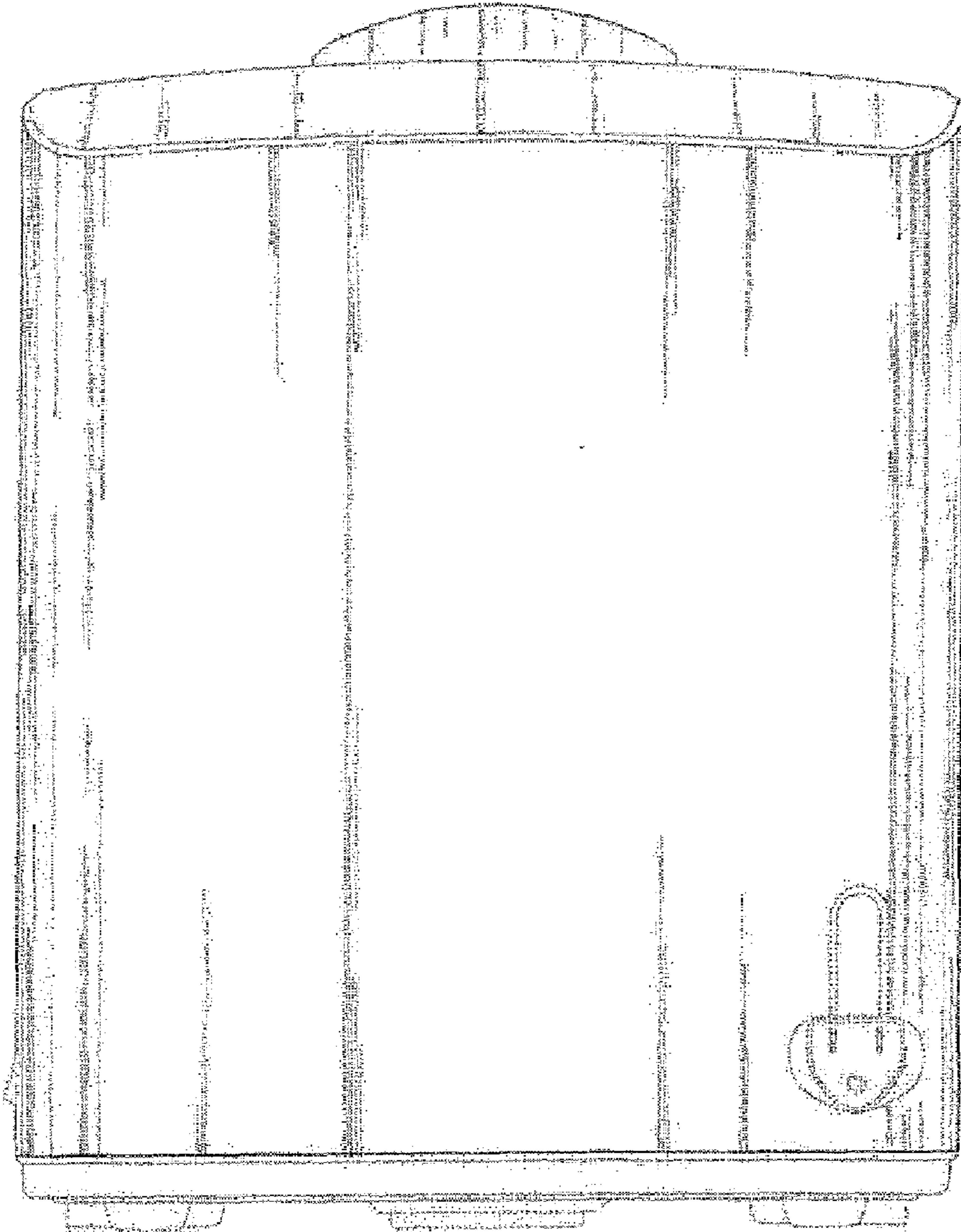


FIGURE 4

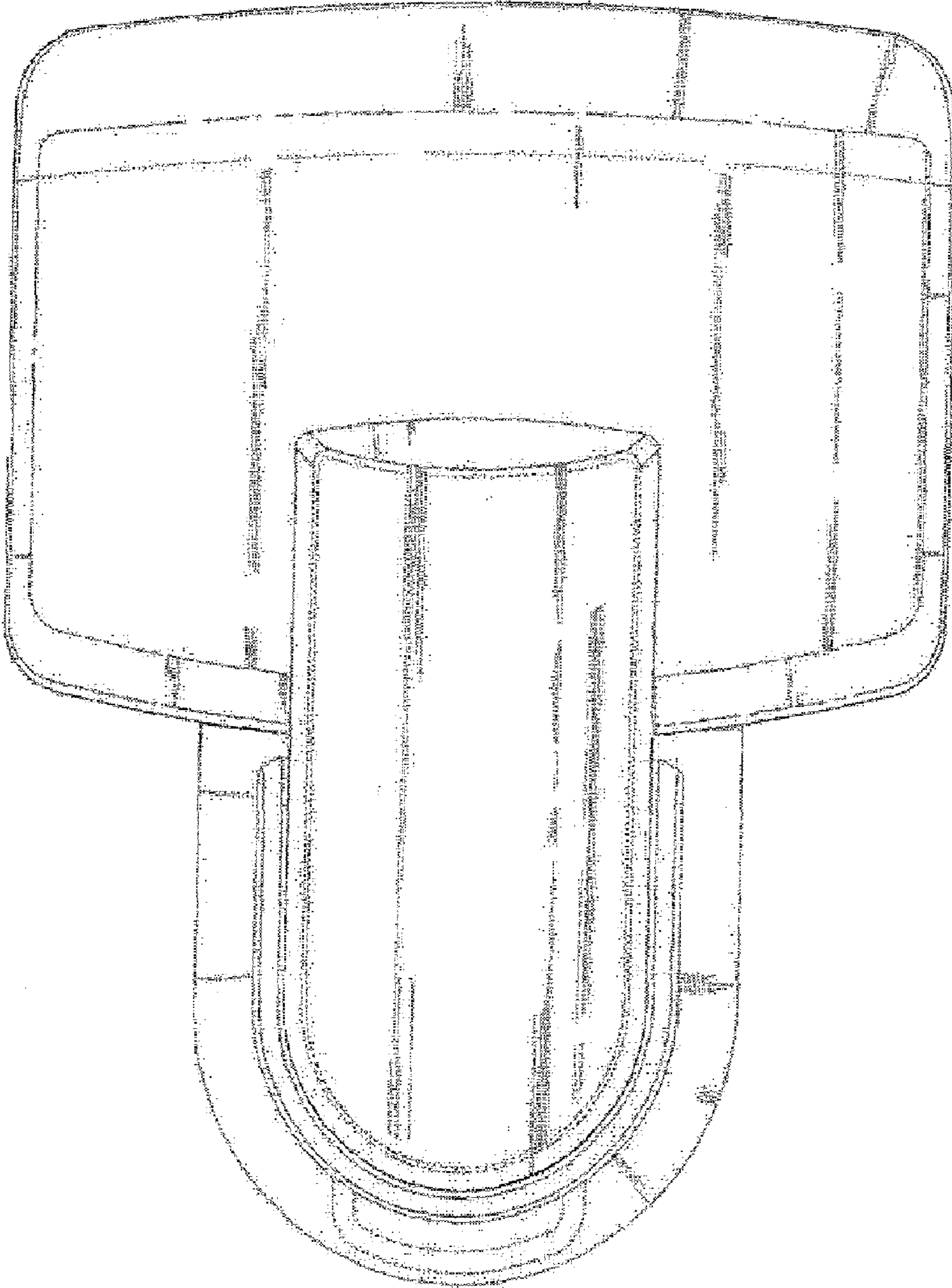


FIGURE 5

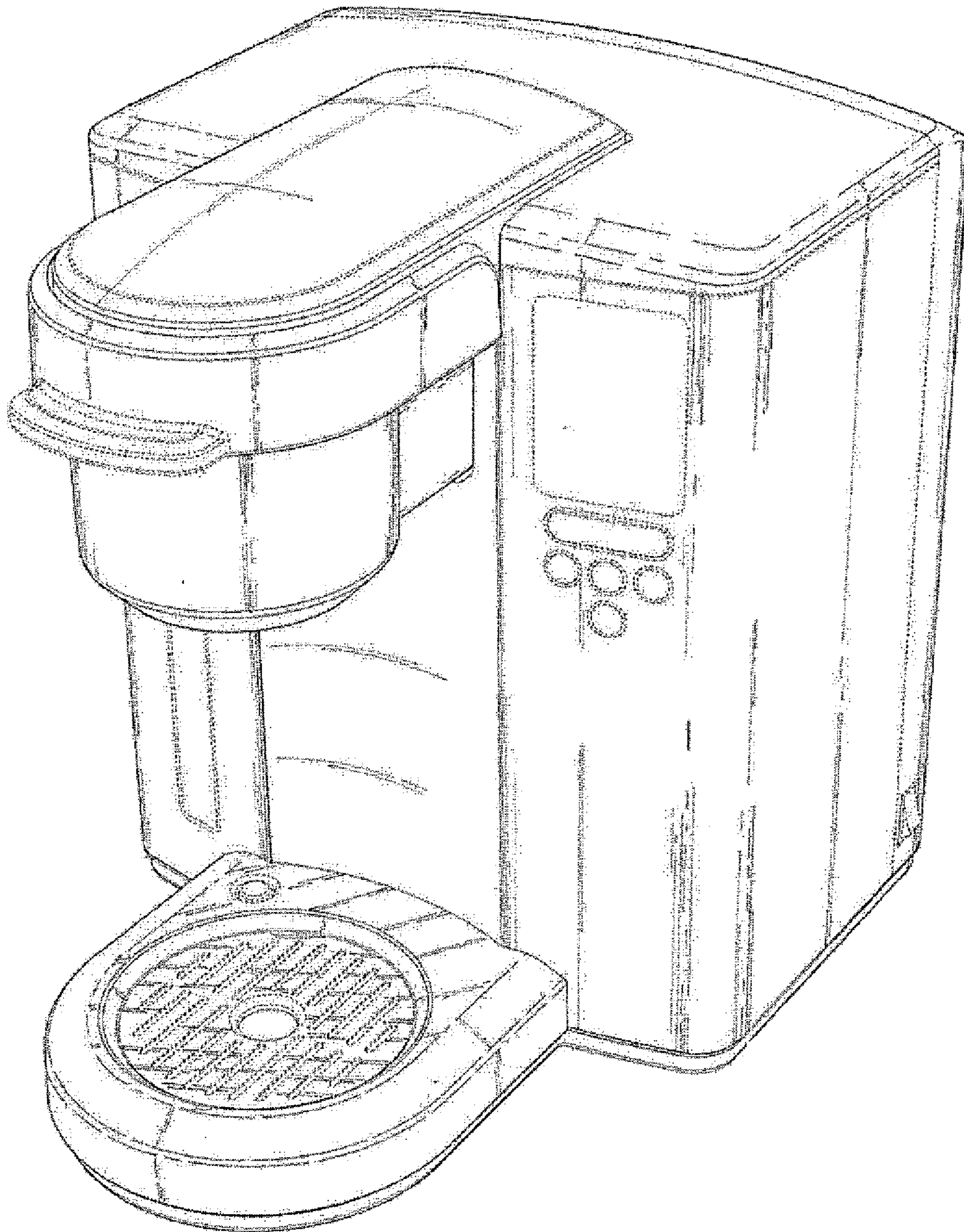


FIGURE 6

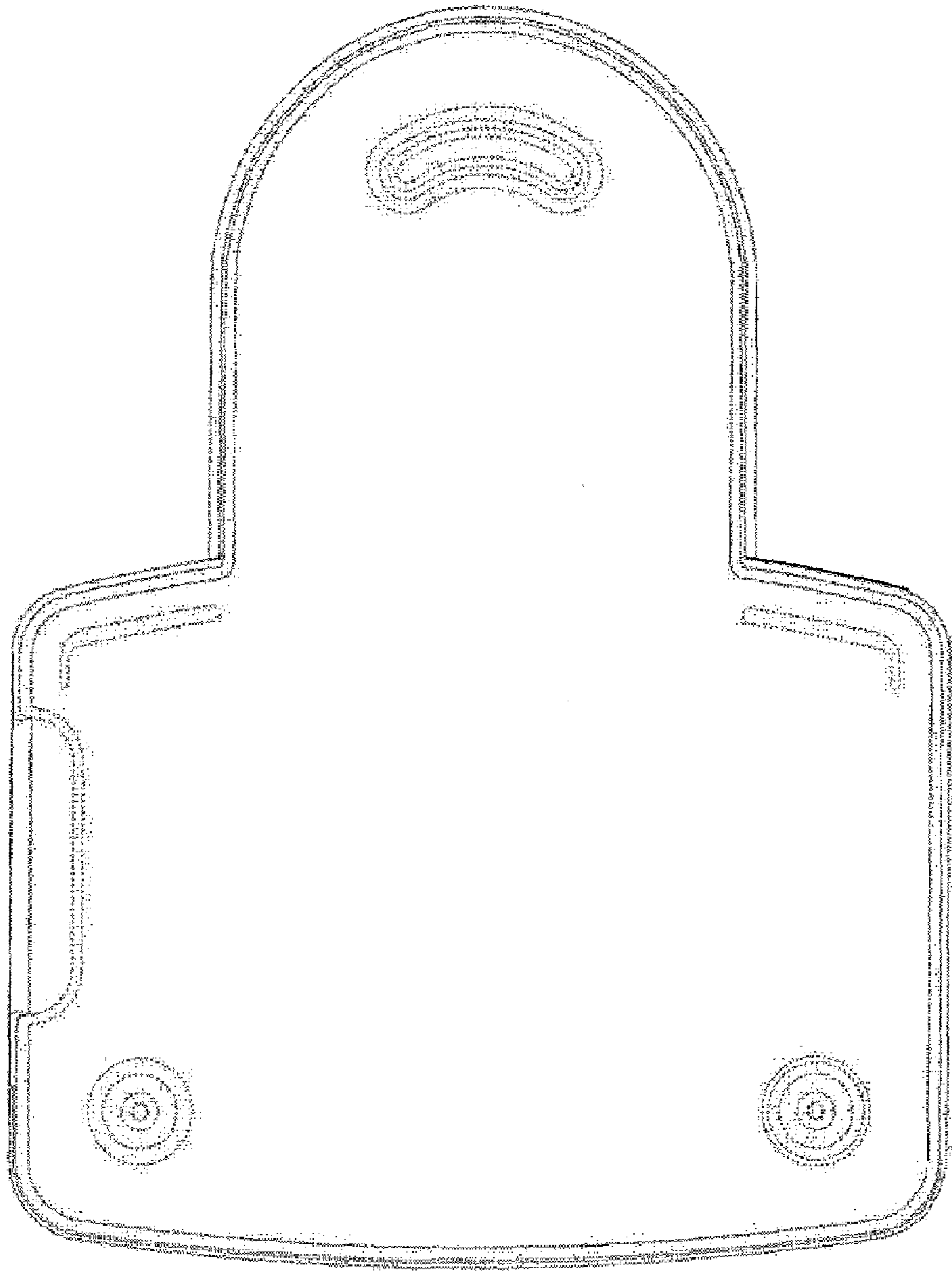


FIGURE 7

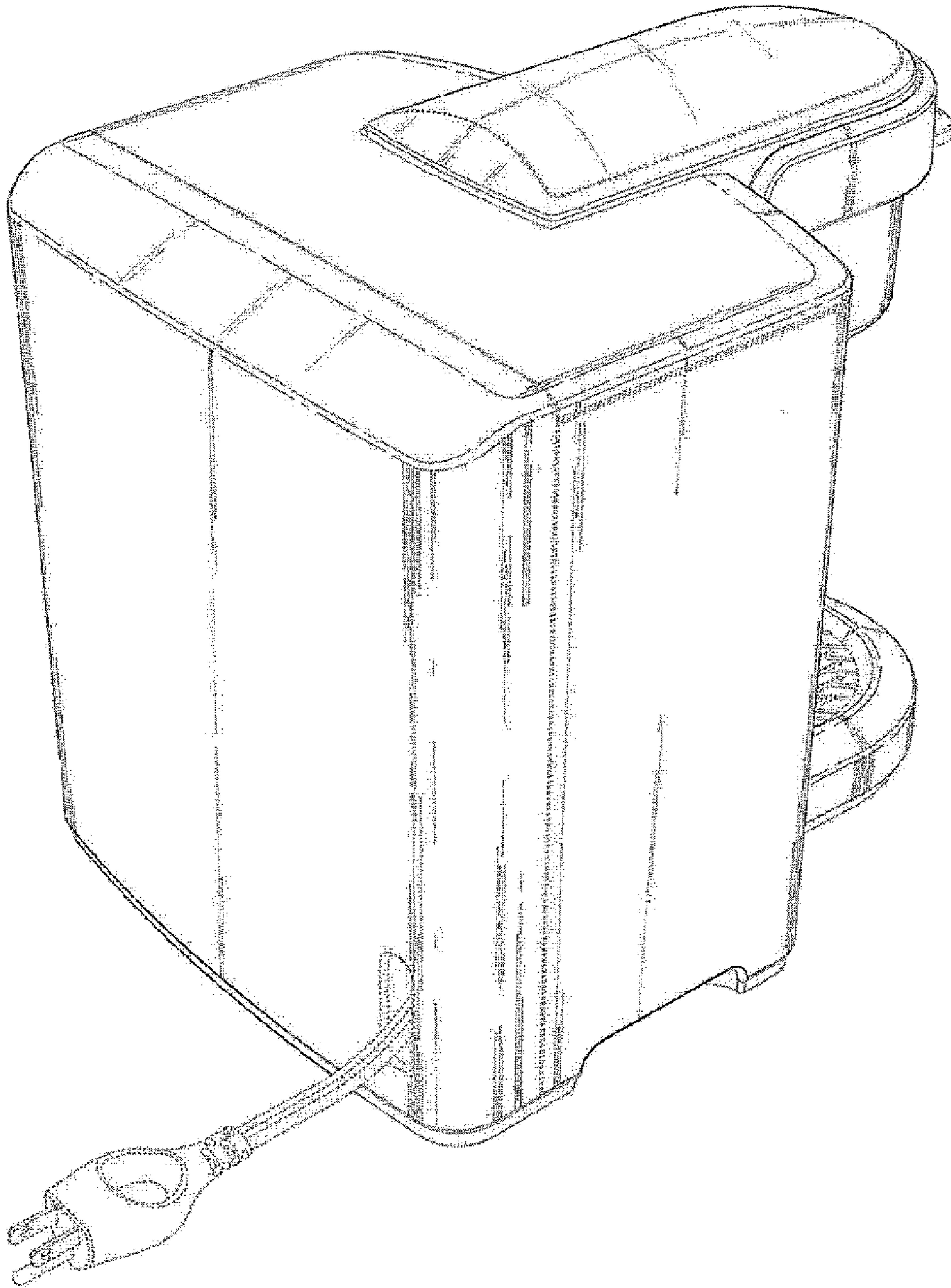


FIGURE 8

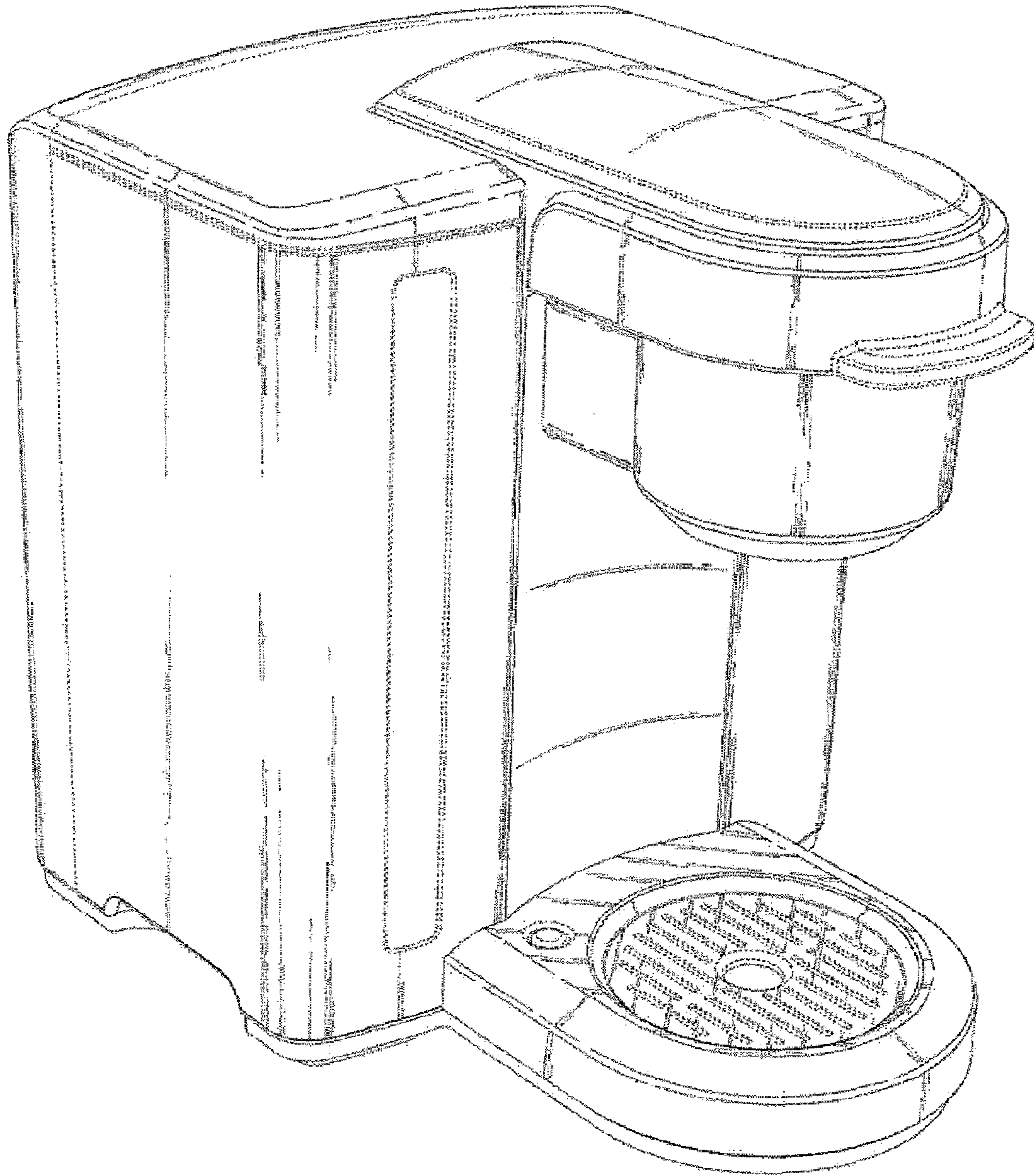


FIGURE 9