



US00D582708S

(12) **United States Design Patent**
Goodman et al.

(10) **Patent No.:** **US D582,708 S**
(45) **Date of Patent:** **** Dec. 16, 2008**

(54) **OVER-THE-CABINET-DOOR TOWEL BAR**

D525,061 S 7/2006 Abdi
D526,520 S 8/2006 Clucas
D543,062 S 5/2007 Snell
D570,631 S * 6/2008 Goodman et al. D6/514

(75) Inventors: **Sheldon H. Goodman**, Solon, OH (US);
Omer I. Sazir, Cleveland, OH (US)

(73) Assignee: **Spectrum Diversified Designs, Inc.**,
Streetsboro, OH (US)

(**) Term: **14 Years**

(21) Appl. No.: **29/321,266**

(22) Filed: **Jul. 14, 2008**

Related U.S. Application Data

(63) Continuation-in-part of application No. 29/317,031,
filed on Apr. 22, 2008.

(51) **LOC (8) Cl.** **06-06**

(52) **U.S. Cl.** **D6/513**

(58) **Field of Classification Search** D6/512-514,
D6/570, 315, 574, 320, 548, 549; 211/13.1,
211/34-39, 85.31, 113; 248/309.2

See application file for complete search history.

(56) **References Cited**

U.S. PATENT DOCUMENTS

D263,009 S 2/1982 O'Keefe
D354,412 S 1/1995 Emery
D403,187 S 12/1998 Klein et al.
D471,747 S 3/2003 Kollner
D499,286 S 12/2004 Harwanko

OTHER PUBLICATIONS

U.S. Appl. No. 29/317,031, filed Apr. 22, 2008, Inventors: Sheldon H.
Goodman et al., "Over-the-Cabinet-Door Towel Bar".

* cited by examiner

Primary Examiner—Brian N Vinson

(74) *Attorney, Agent, or Firm*—Pearne & Gordon LLP

(57) **CLAIM**

The ornamental design for an over-the-cabinet-door towel
bar, as shown and described.

DESCRIPTION

FIG. 1 is a perspective view of an over-the-cabinet-door towel
bar, showing our new design;

FIG. 2 is a front elevational view thereof;

FIG. 3 is a side elevational view thereof;

FIG. 4 is a top plan view thereof;

FIG. 5 is a bottom plan view thereof; and,

FIG. 6 is a rear elevational view thereof.

The broken-line disclosure of elements in the views is for
illustrative purposes only and forms no part of the claimed
design.

1 Claim, 3 Drawing Sheets

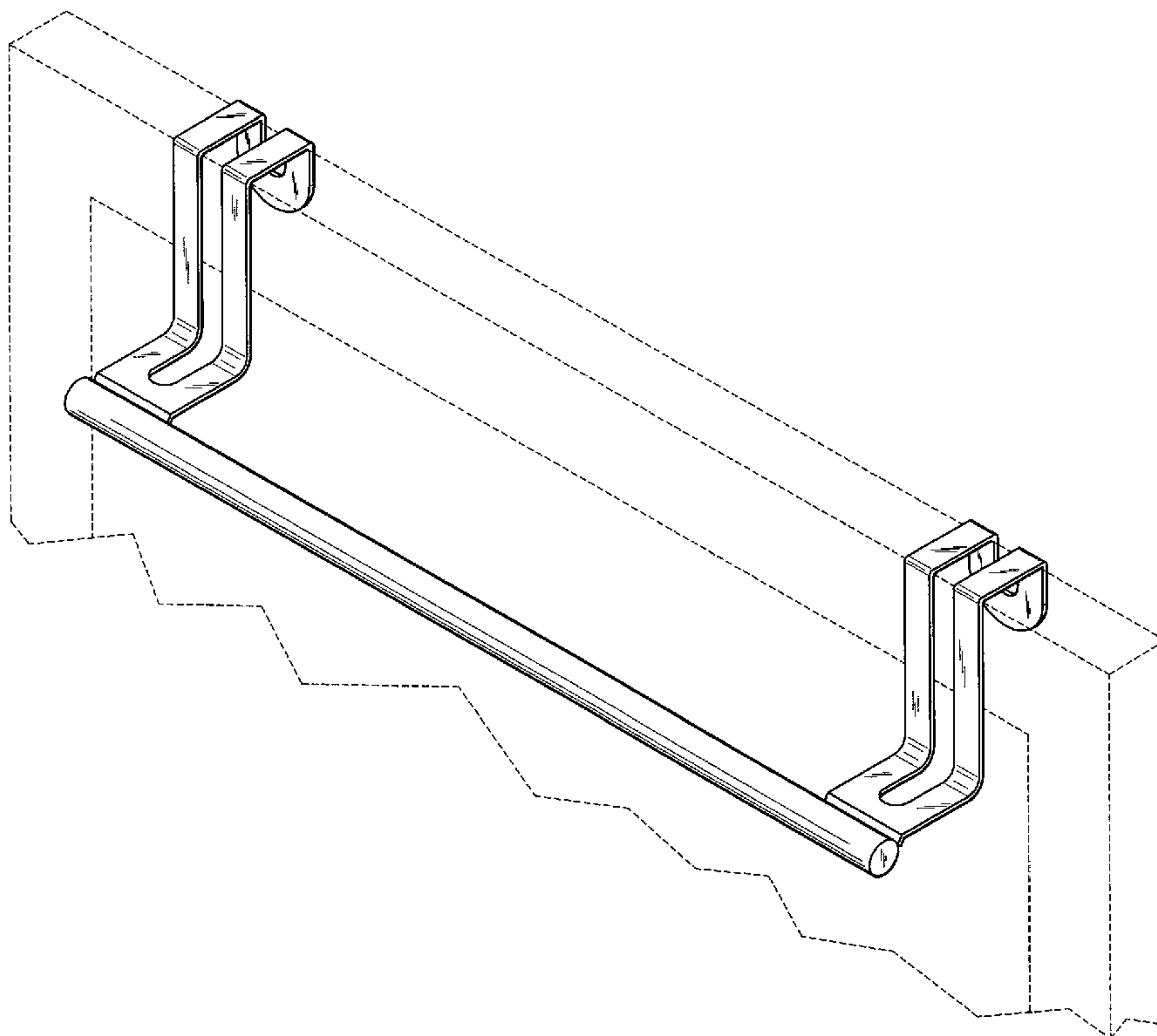
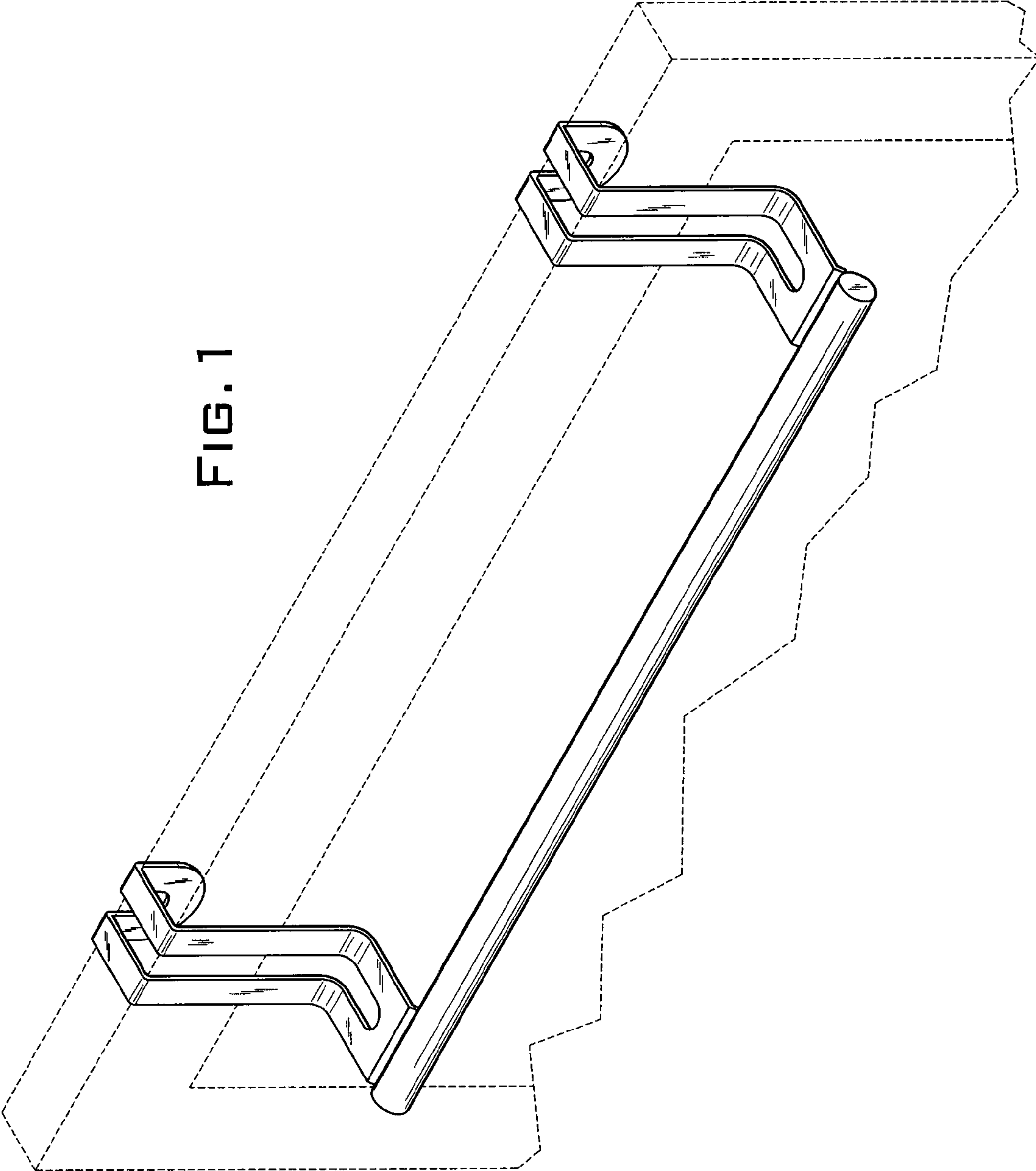


FIG. 1



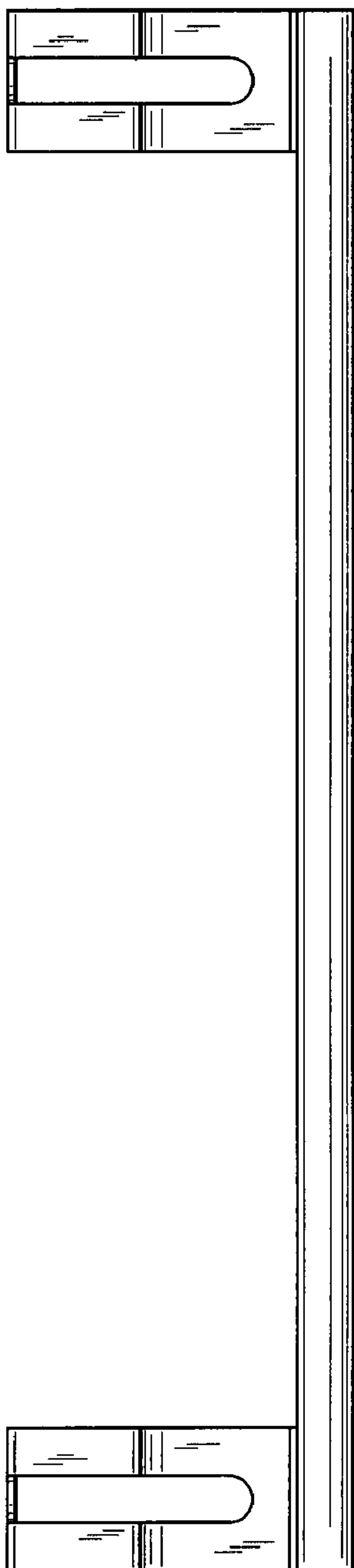


FIG. 4

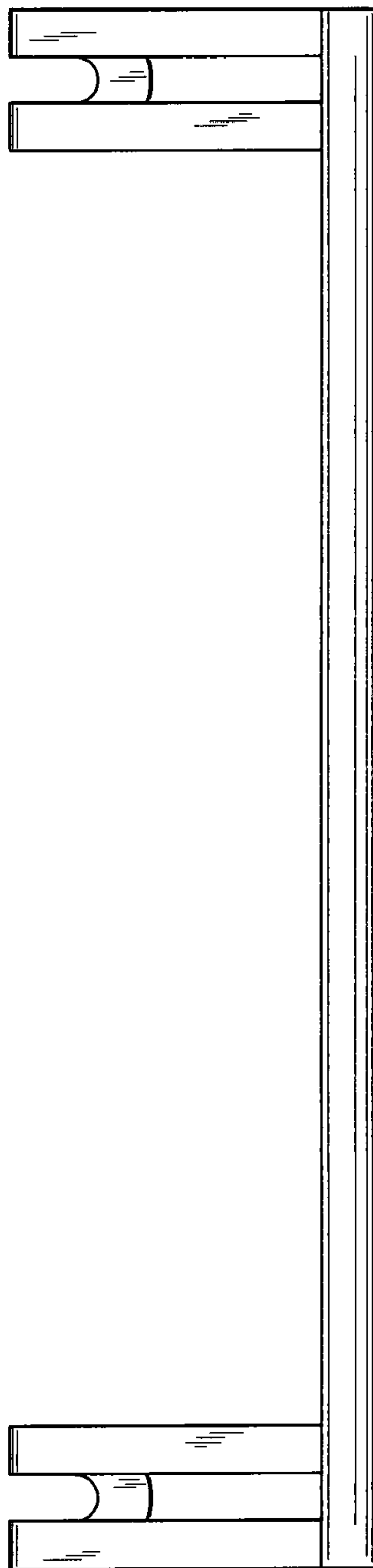


FIG. 2

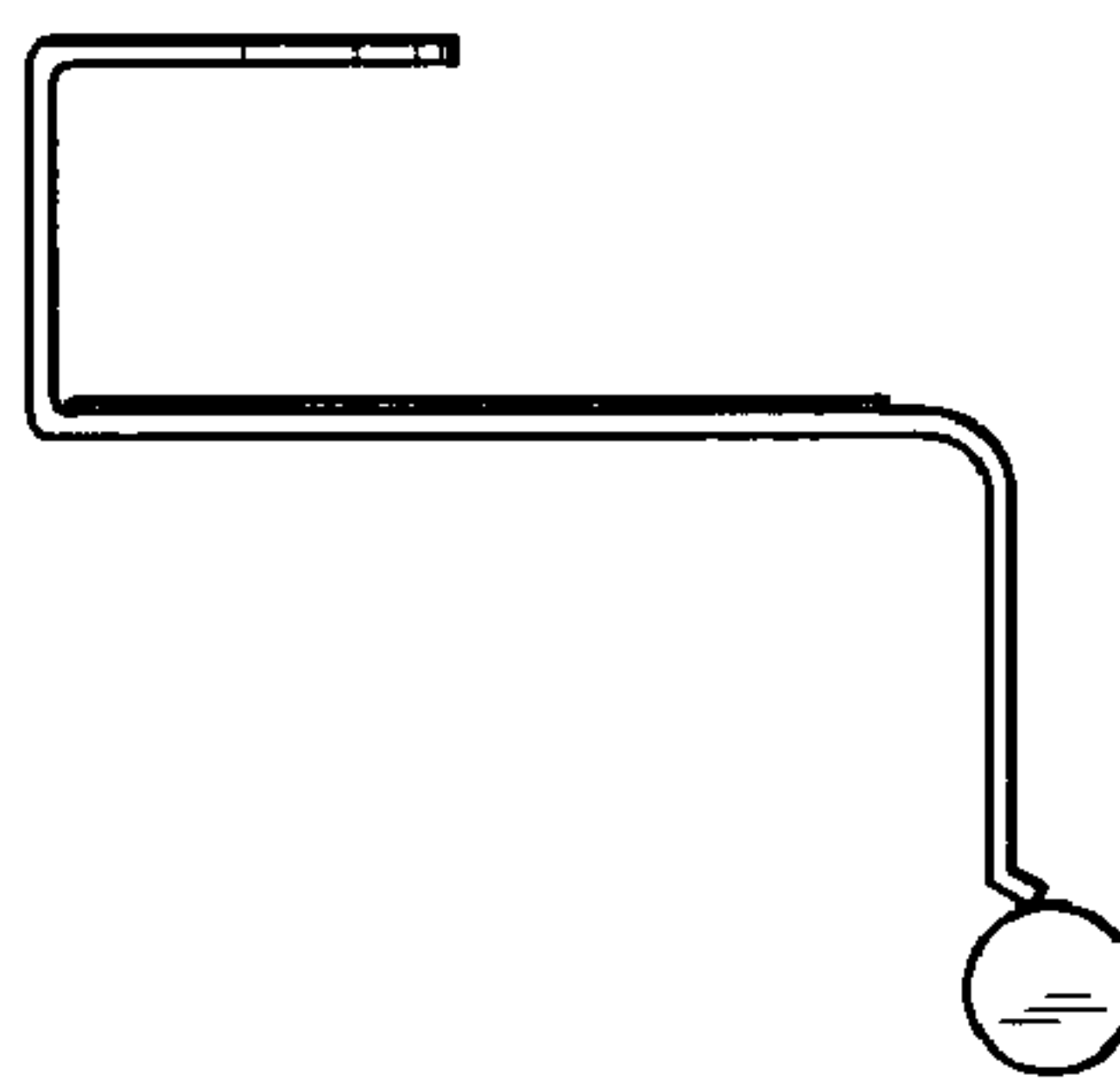


FIG. 3

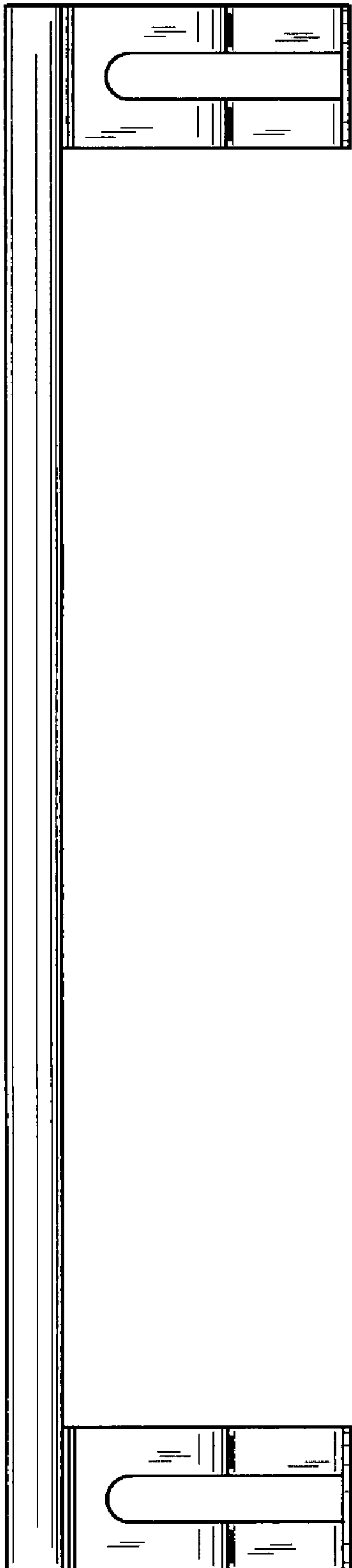


FIG. 5

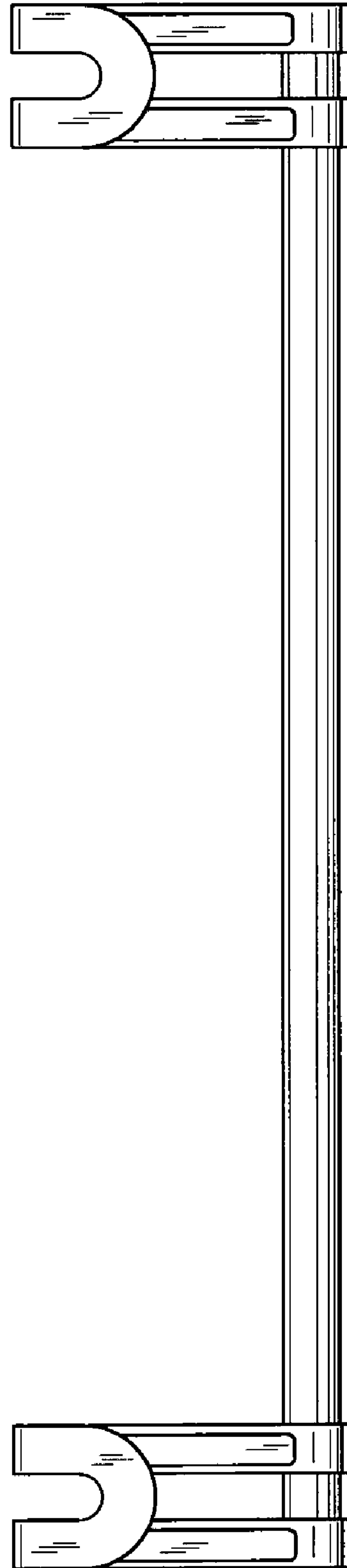


FIG. 6