



US00D582705S

(12) **United States Design Patent**
Donati

(10) **Patent No.:** **US D582,705 S**
(45) **Date of Patent:** **** Dec. 16, 2008**

(54) **SEAT COMPONENT**

(75) Inventor: **Armando Donati**, Lumezzane (IT)

(73) Assignee: **Donati S.p.A.**, Rodengo Saiano
(Brescia) (IT)

(**) Term: **14 Years**

(21) Appl. No.: **29/300,963**

(22) Filed: **Jun. 5, 2008**

(30) **Foreign Application Priority Data**

Mar. 10, 2008 (EM) 000895032

(51) **LOC (8) Cl.** **06-01**

(52) **U.S. Cl.** **D6/500**

(58) **Field of Classification Search** D6/334-336,
D6/364, 365, 366, 367, 491, 495, 500-502;
297/300.1, 300.2, 300.5, 300.8, 301.1, 301.2,
297/301.3, 301.4, 301.7, 303.3, 303.4, 303.5,
297/344.18, 344.21, 344.22, 463.1; 248/161,
248/578

See application file for complete search history.

(56) **References Cited**

U.S. PATENT DOCUMENTS

D290,073 S * 6/1987 Doerner D6/500
D292,459 S * 10/1987 Doerner D6/500
D447,652 S * 9/2001 Beggs D6/500
D487,359 S * 3/2004 Giugiaro D6/366
D497,266 S * 10/2004 Tai D6/366
D544,258 S * 6/2007 Chen D6/500
D549,016 S 8/2007 Donati
D550,989 S 9/2007 Donati
D550,990 S 9/2007 Donati

D550,991 S 9/2007 Donati
D557,913 S * 12/2007 Ong D6/366
D557,917 S * 12/2007 Nakamura et al. D6/366
D557,946 S * 12/2007 Matern et al. D6/500
D559,571 S * 1/2008 Meda D6/366
D564,245 S * 3/2008 Dauphin D6/366
7,364,233 B2 4/2008 Donati
2002/0163242 A1 * 11/2002 Beggs 297/463.1
2007/0228801 A1 * 10/2007 Matern 297/463.1

OTHER PUBLICATIONS

U.S. Appl. No. 11/371,228, filed Mar. 2006, Donati.
U.S. Appl. No. 29/240,687, Abandoned, filed Oct. 2005, Donati.
U.S. Appl. No. 29/240,691, Abandoned, filed Oct. 2005, Donati.
U.S. Appl. No. 29/290,757, filed Jan. 2008, Donati.
U.S. Appl. No. 29/300,962, filed Jun. 2008, Donati.

* cited by examiner

Primary Examiner—Mimosa De

(74) *Attorney, Agent, or Firm*—Nixon & Vanderhye P.C.

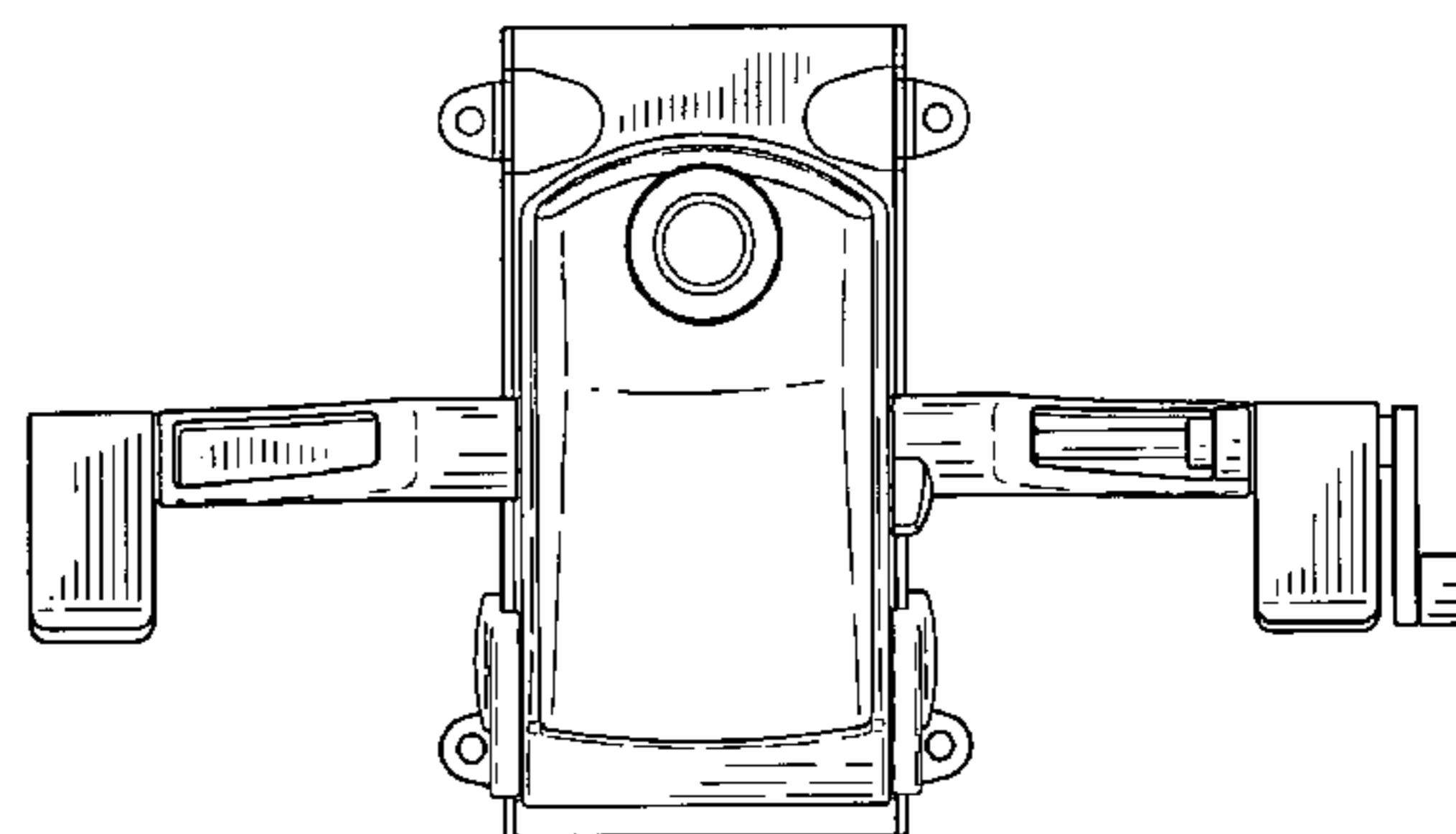
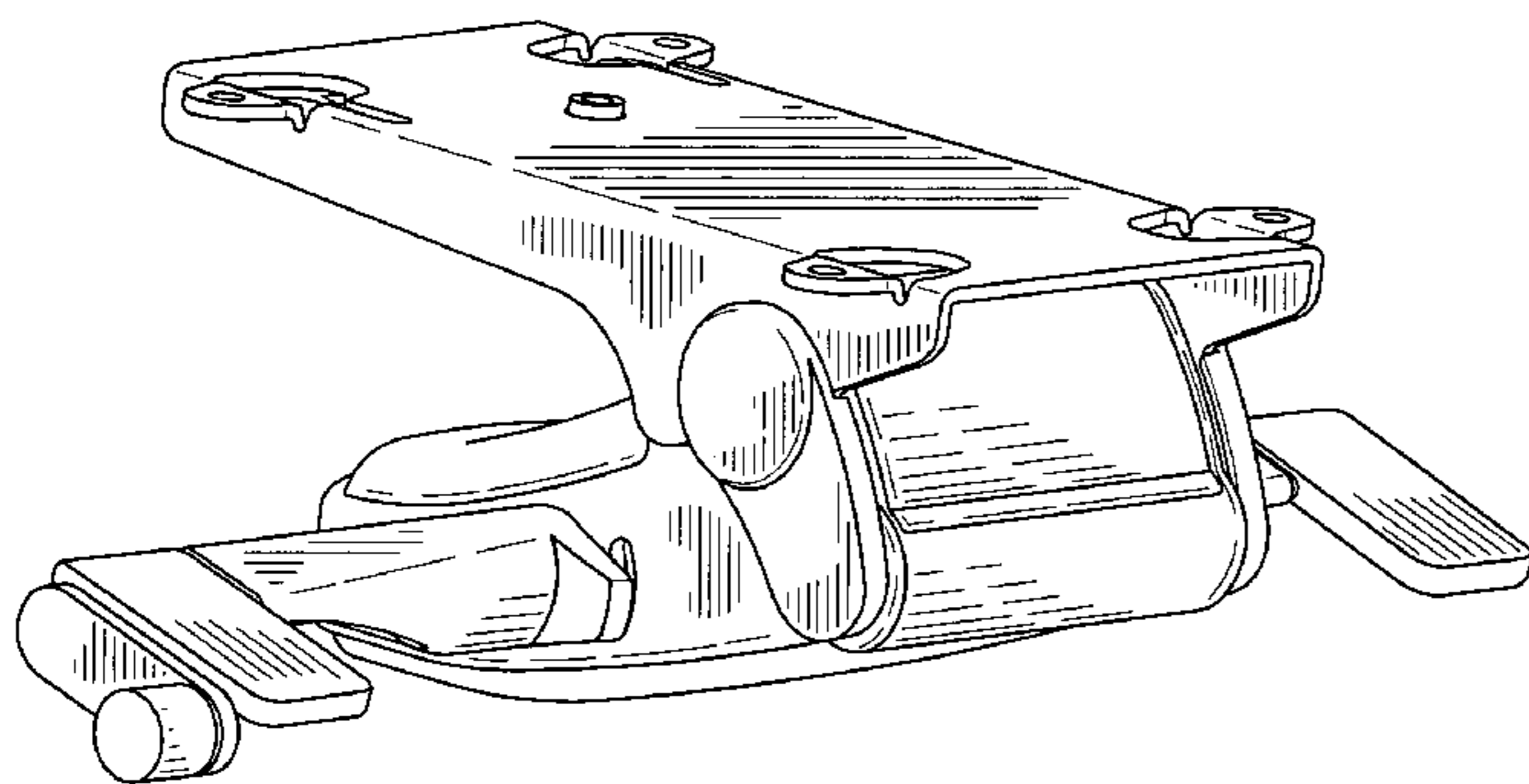
(57) **CLAIM**

The ornamental design for a seat component, as shown and described.

DESCRIPTION

FIG. 1 is a perspective view of a seat component of my design;
FIG. 2 is a top view thereof;
FIG. 3 is a front view thereof;
FIG. 4 is a right side view thereof;
FIG. 5 is a rear view thereof;
FIG. 6 is a left side view thereof; and,
FIG. 7 is a bottom view thereof.

1 Claim, 3 Drawing Sheets



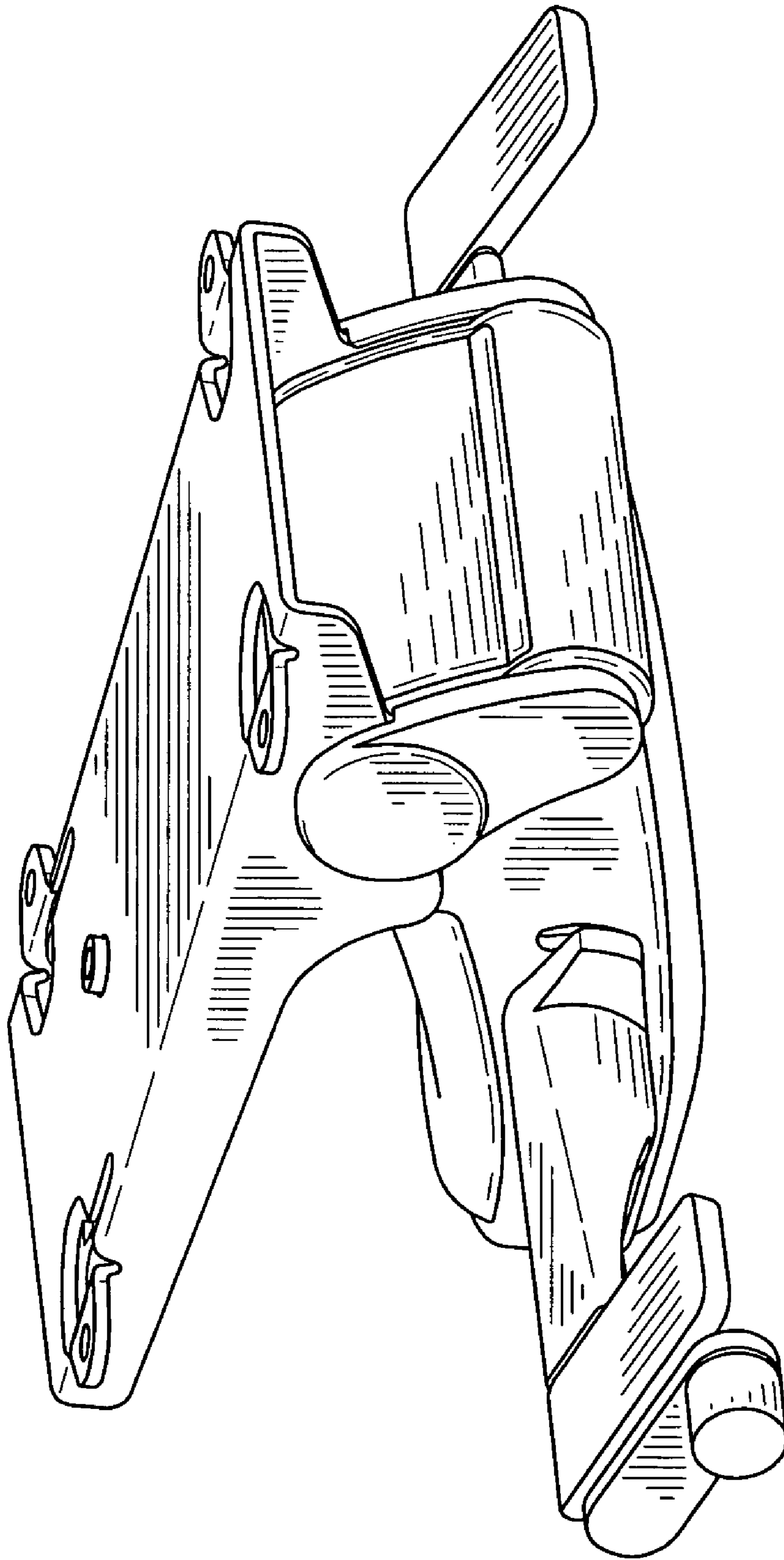


FIG-1

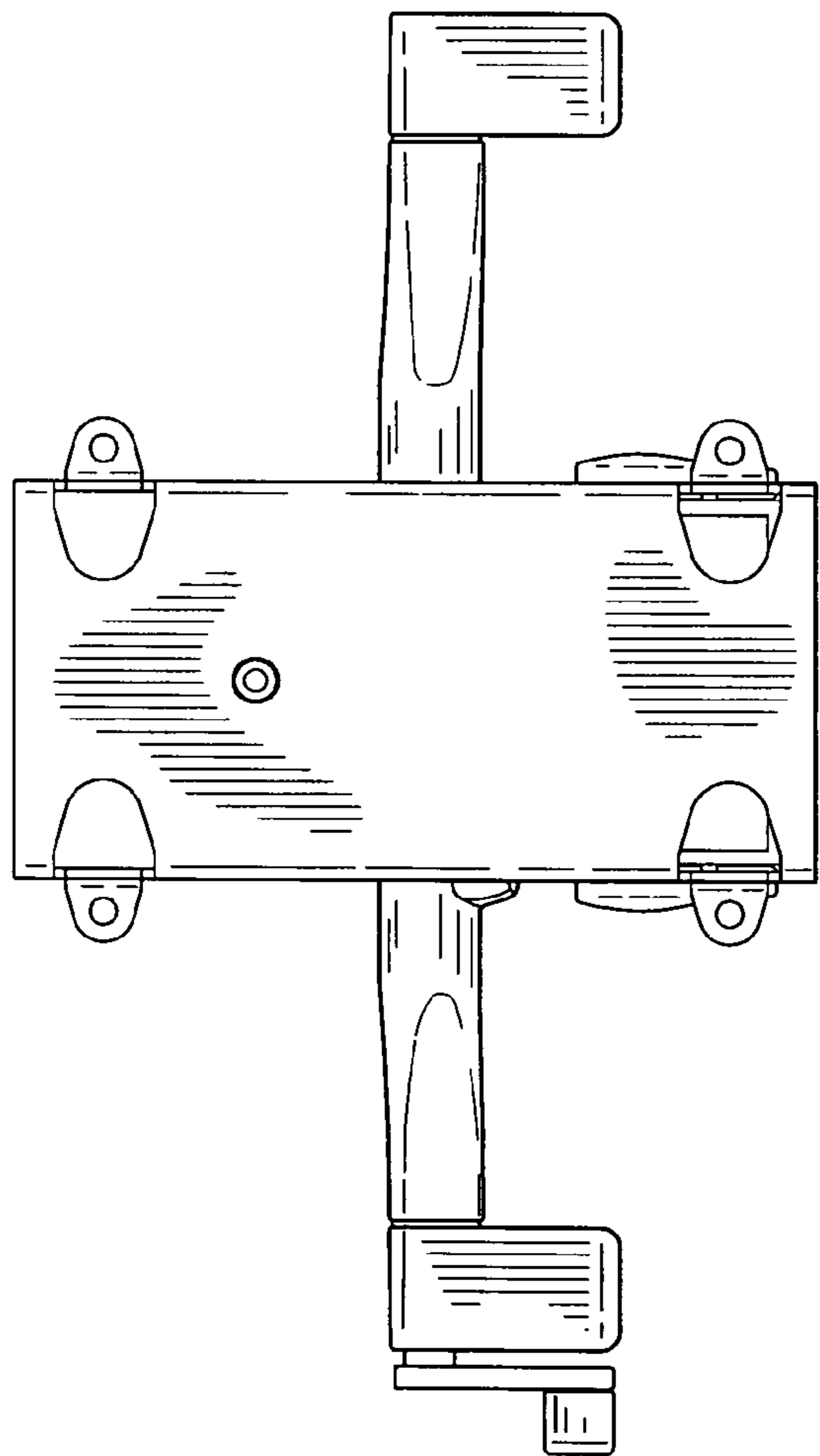


FIG-2

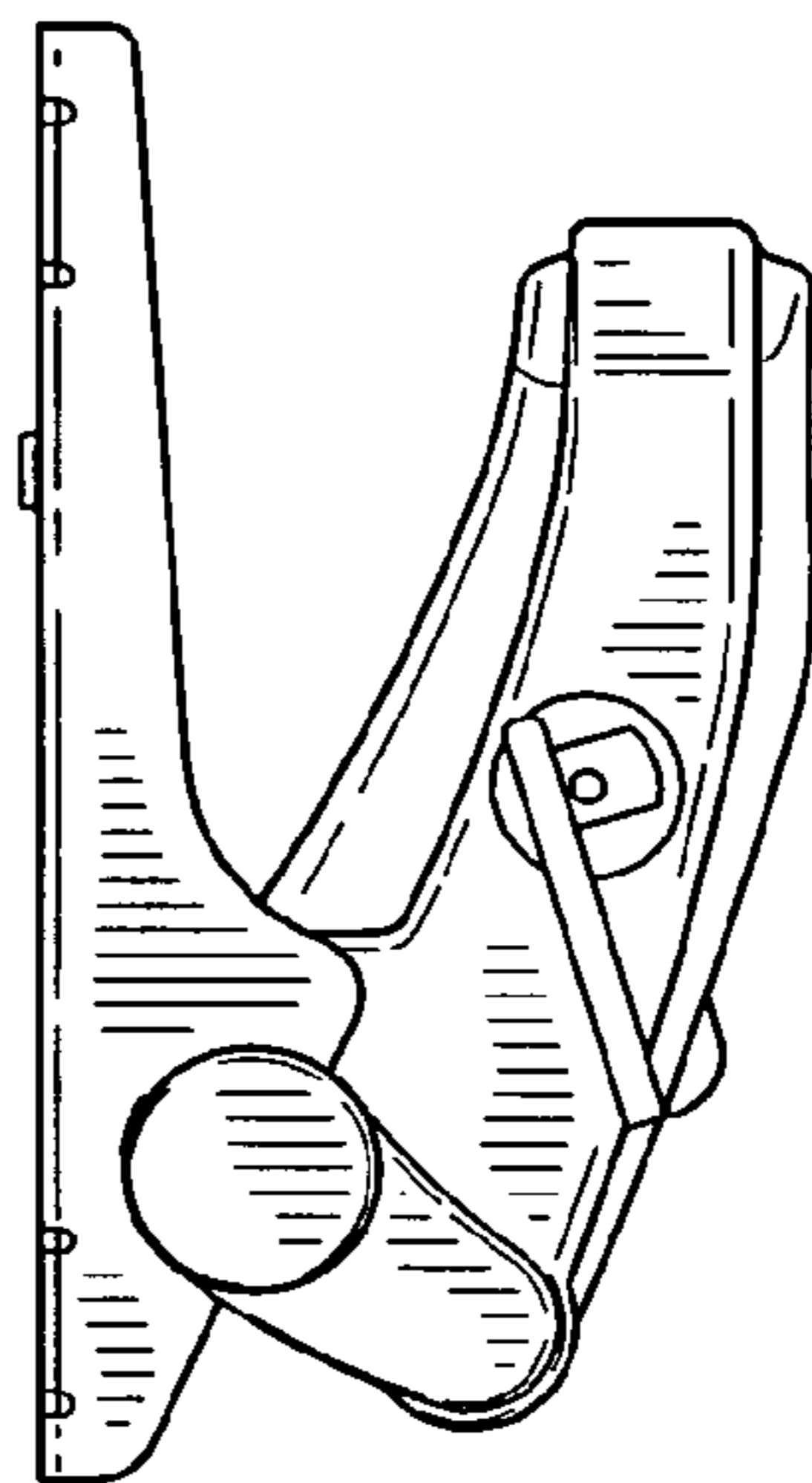


FIG-4

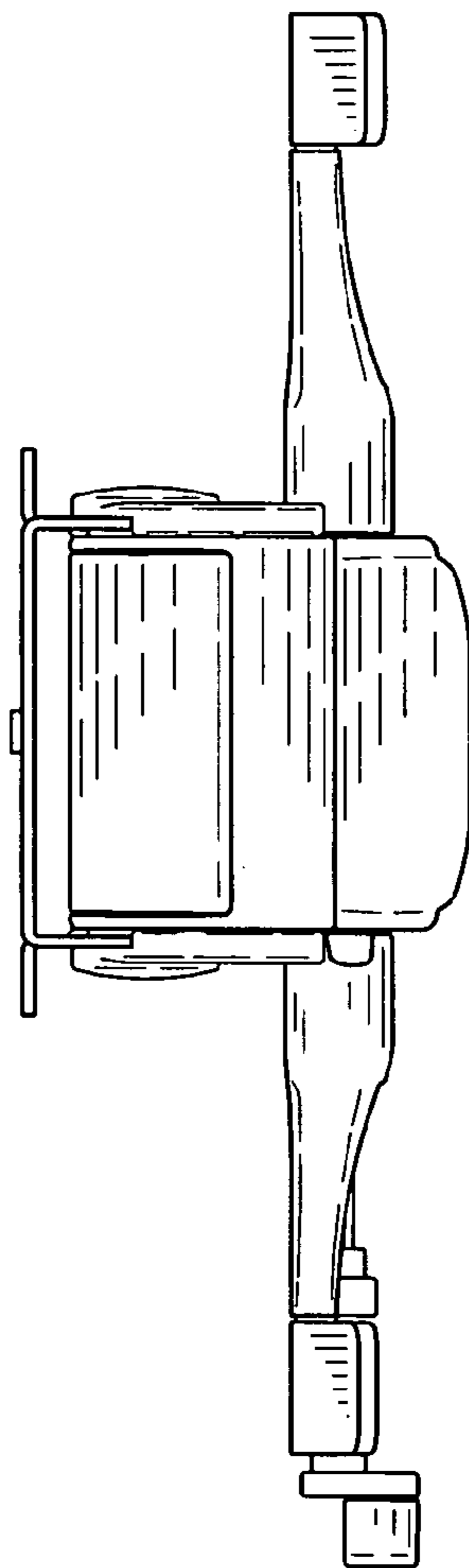


FIG-3

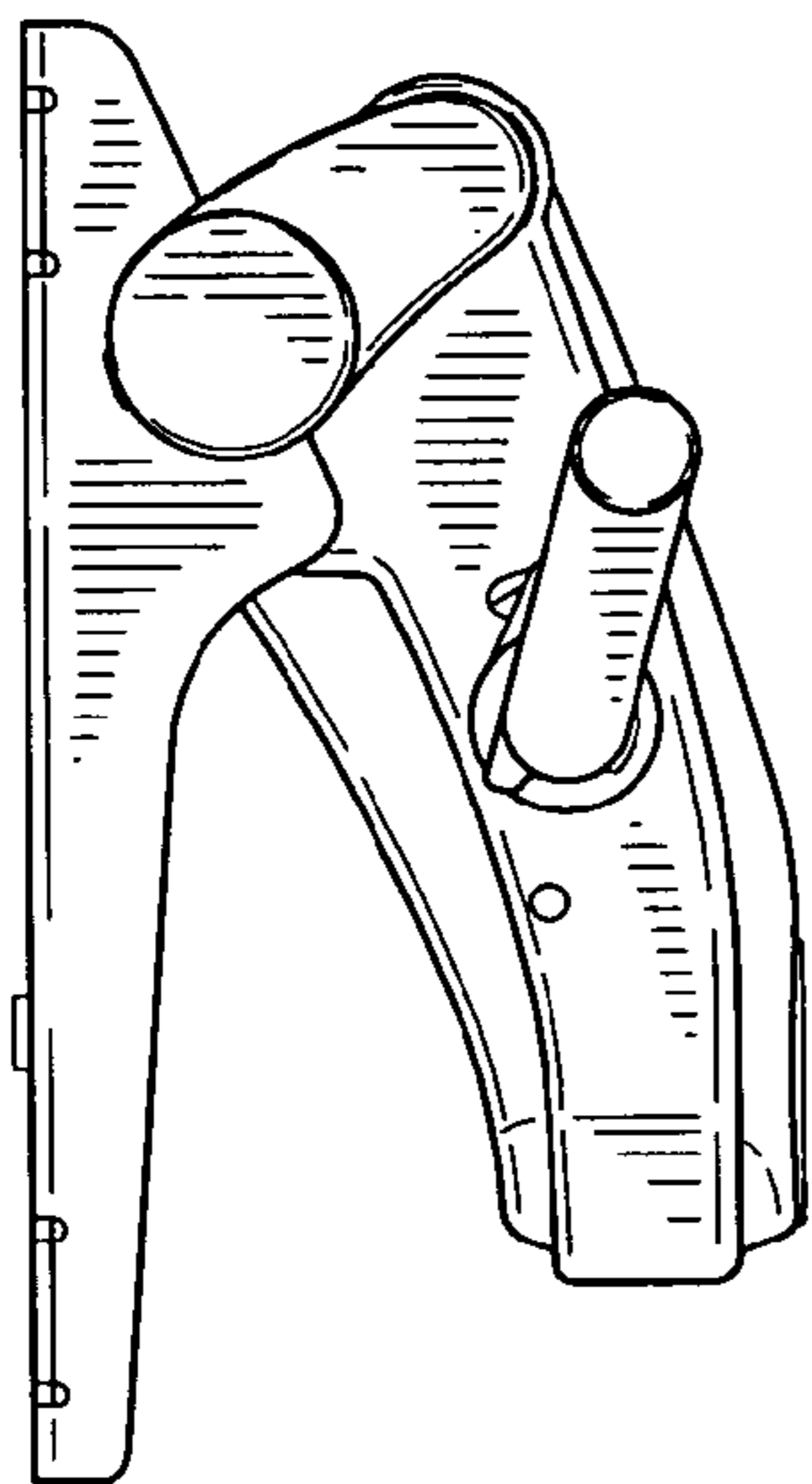


FIG-6

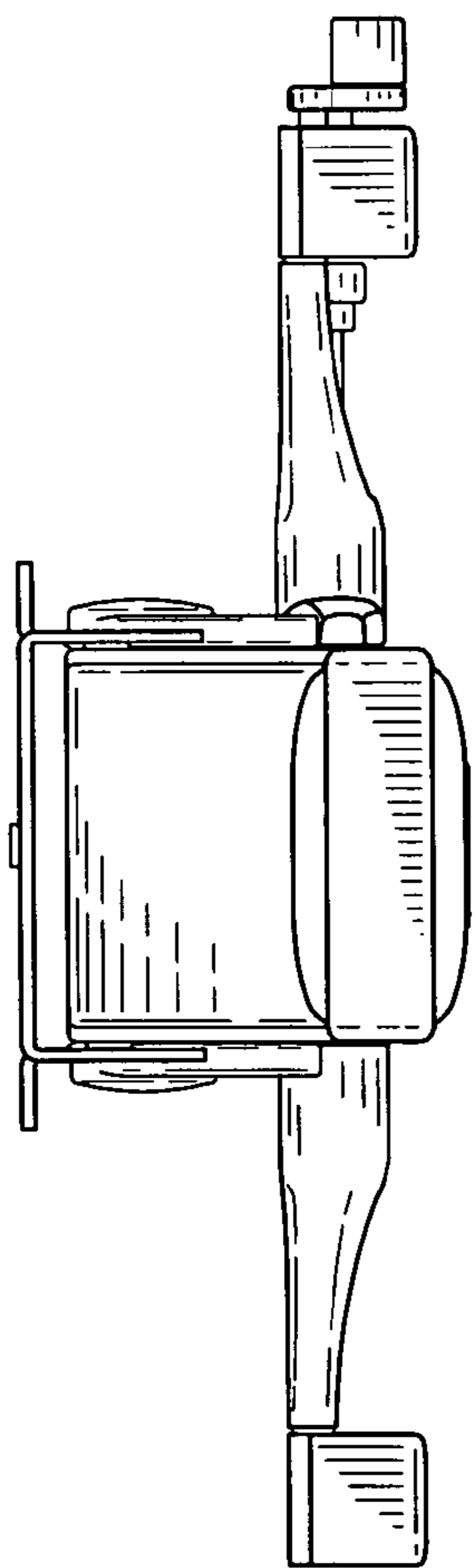


FIG-5

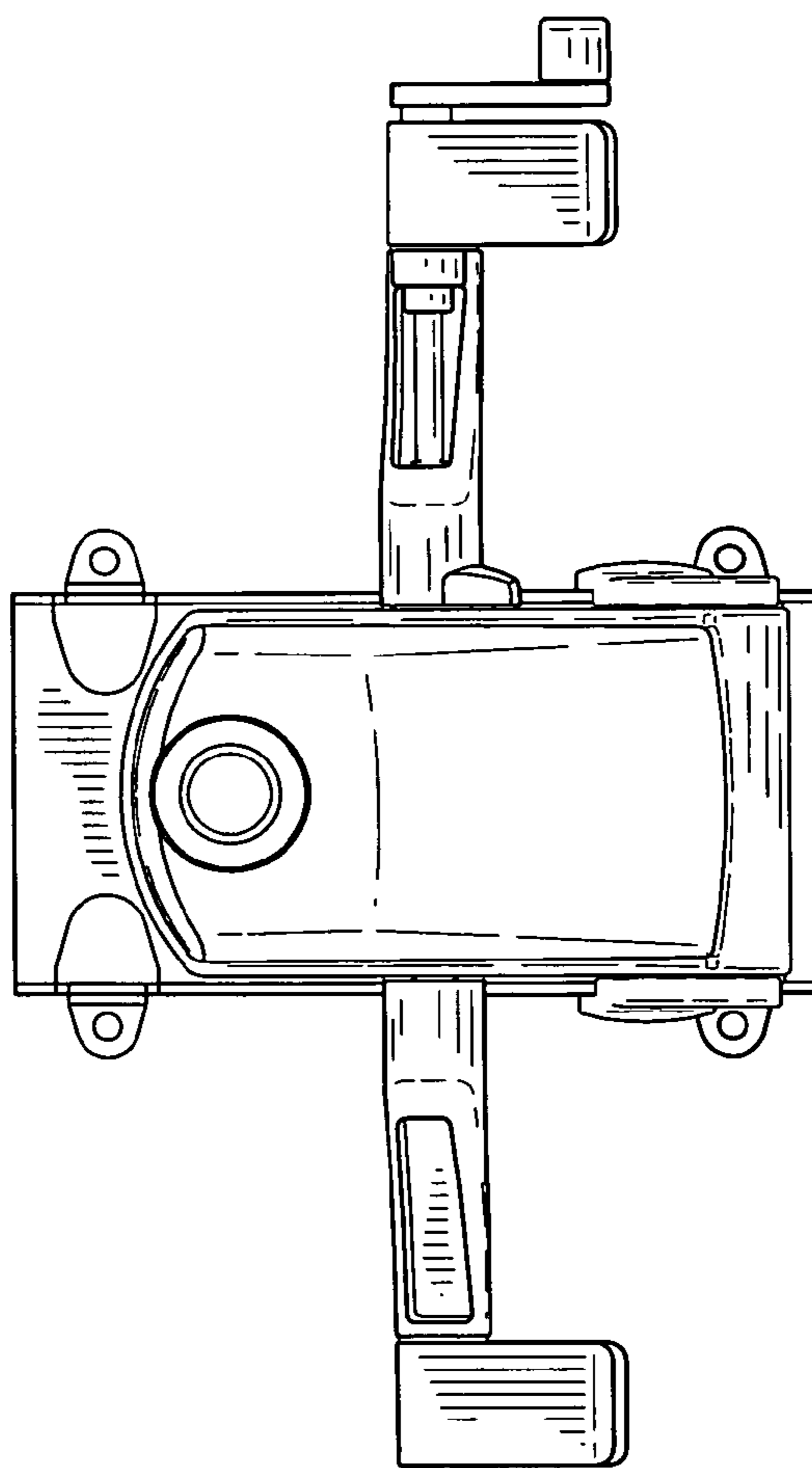


FIG-7