



US00D582704S

(12) **United States Design Patent**  
**Donati**

(10) **Patent No.:** **US D582,704 S**  
(45) **Date of Patent:** **\*\* Dec. 16, 2008**

(54) **SEAT COMPONENT**

(75) Inventor: **Armando Donati**, Lumezzane (IT)

(73) Assignee: **Donati S.p.A.**, Rodengo Saiano  
(Brescia) (IT)

(\*\*) Term: **14 Years**

(21) Appl. No.: **29/300,962**

(22) Filed: **Jun. 5, 2008**

(30) **Foreign Application Priority Data**

Mar. 10, 2008 (EM) ..... 000895032

(51) **LOC (8) Cl.** ..... **06-01**

(52) **U.S. Cl.** ..... **D6/500**

(58) **Field of Classification Search** ..... D6/334-336,  
D6/364, 365, 366, 367, 491, 495, 500-502;  
297/300.1, 300.2, 300.5, 300.8, 301.1, 301.2,  
297/301.3, 301.4, 301.7, 303.3, 303.4, 303.5,  
297/344.18, 344.21, 344.22, 463.1; 248/161,  
248/578

See application file for complete search history.

(56) **References Cited**

**U.S. PATENT DOCUMENTS**

D290,073 S \* 6/1987 Doerner ..... D6/500  
D292,459 S \* 10/1987 Doerner ..... D6/500  
D447,652 S \* 9/2001 Beggs ..... D6/500  
D487,359 S \* 3/2004 Giugiaro ..... D6/366  
D497,266 S \* 10/2004 Tai ..... D6/366  
D544,258 S \* 6/2007 Chen ..... D6/500  
D549,016 S 8/2007 Donati  
D550,989 S 9/2007 Donati  
D550,990 S 9/2007 Donati

D550,991 S 9/2007 Donati  
D557,913 S \* 12/2007 Ong ..... D6/366  
D557,917 S \* 12/2007 Nakamura et al. .... D6/366  
D557,946 S \* 12/2007 Matern et al. .... D6/500  
D559,571 S \* 1/2008 Meda ..... D6/366  
D564,245 S \* 3/2008 Dauphin ..... D6/366  
7,364,233 B2 4/2008 Donati  
2002/0163242 A1 \* 11/2002 Beggs ..... 297/463.1  
2007/0228801 A1 \* 10/2007 Matern ..... 297/463.1

**OTHER PUBLICATIONS**

U.S. Appl. No. 11/371,228, filed Mar. 2006, Donati.  
U.S. Appl. No. 29/240,687, abandoned.  
U.S. Appl. No. 29/240,691, abandoned.  
U.S. Appl. No. 29/290,757.  
U.S. Appl. No. 29/300,963.

\* cited by examiner

*Primary Examiner*—Mimosa De  
(74) *Attorney, Agent, or Firm*—Nixon & Vanderhye P.C.

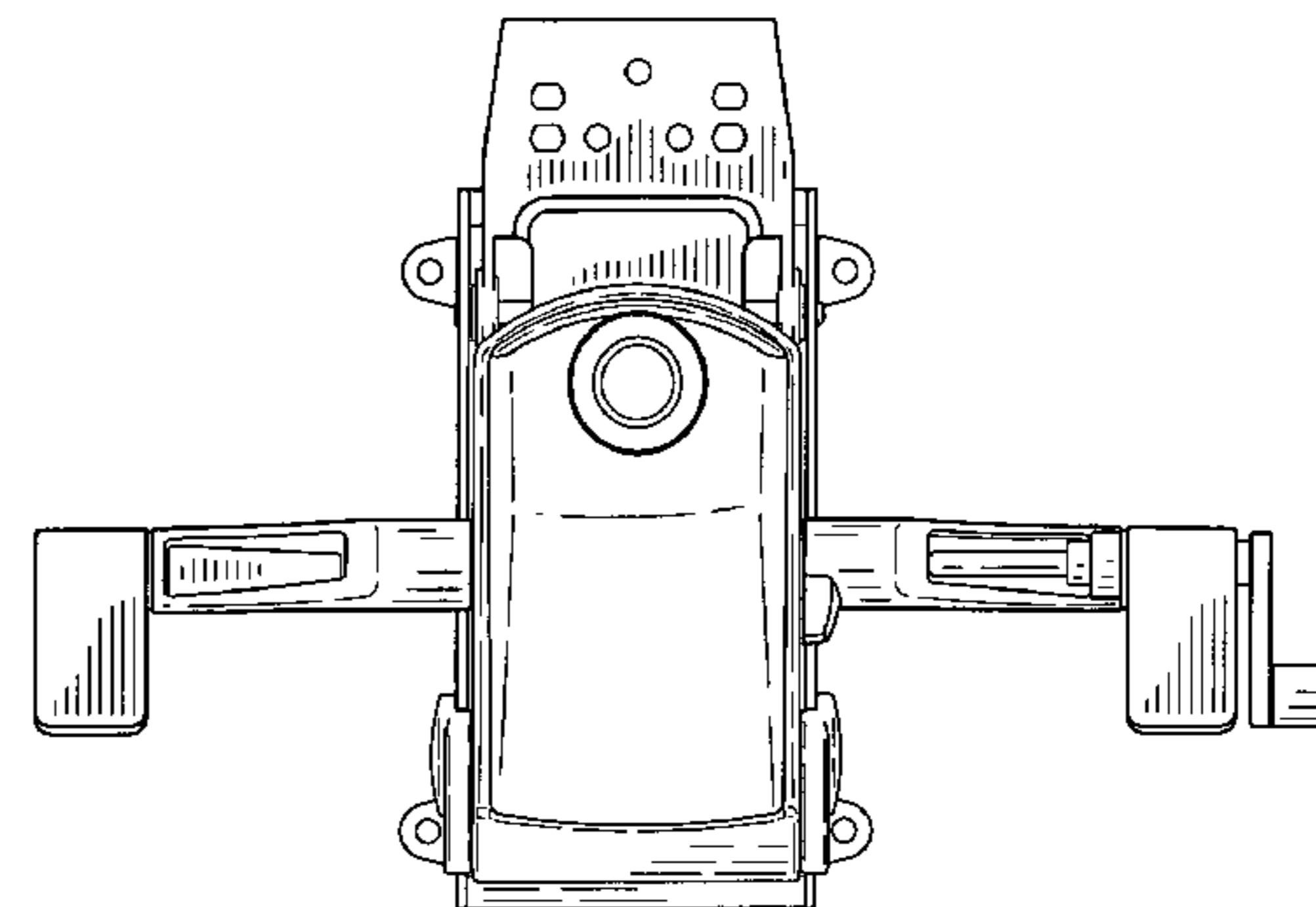
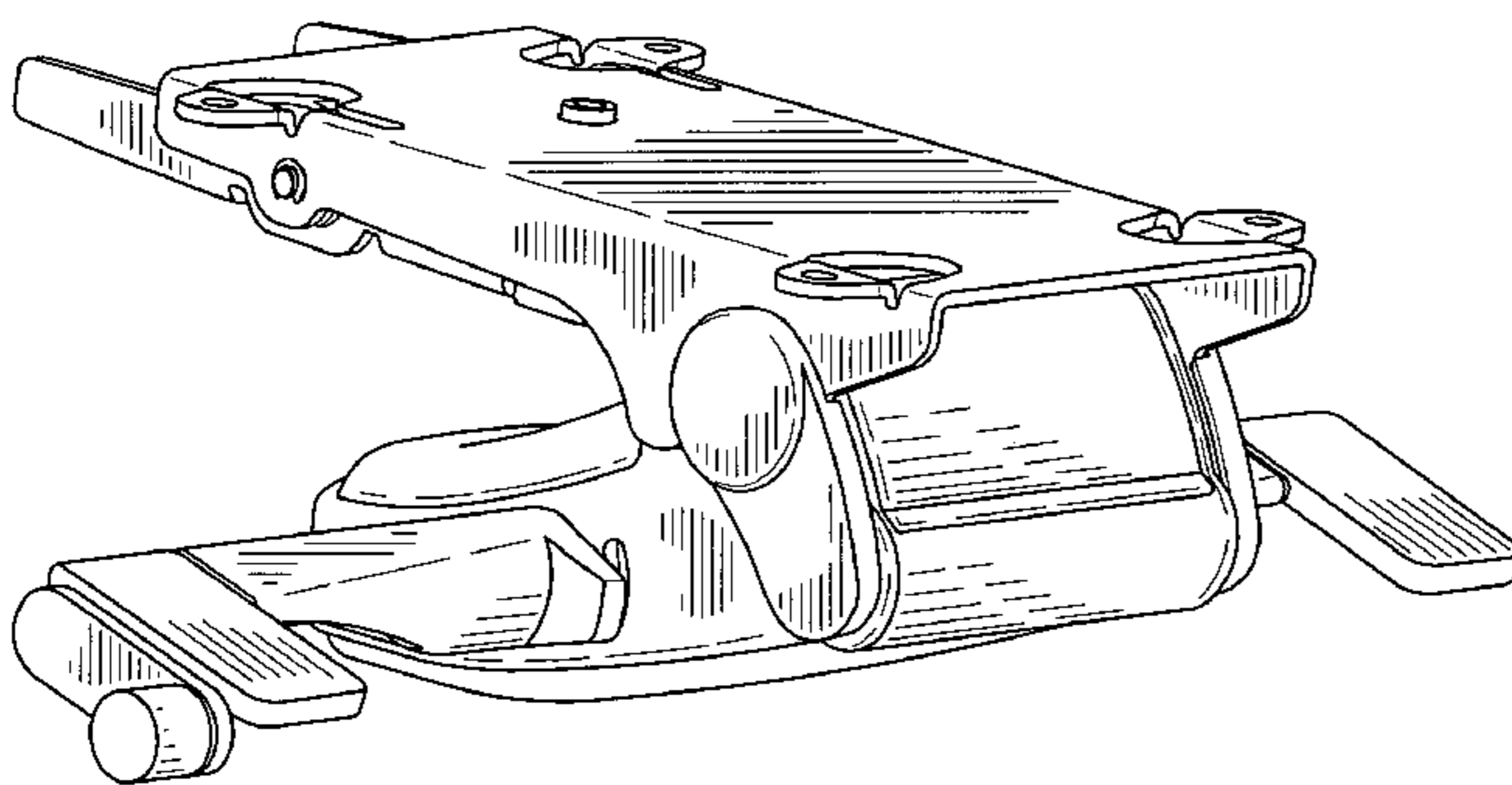
(57) **CLAIM**

The ornamental design for a seat component, as shown and described.

**DESCRIPTION**

FIG. 1 is a perspective view of a seat component of my design;  
FIG. 2 is a top view thereof;  
FIG. 3 is a front view thereof;  
FIG. 4 is a right side view thereof;  
FIG. 5 is a rear view thereof;  
FIG. 6 is a left side view thereof; and,  
FIG. 7 is a bottom view thereof.

**1 Claim, 3 Drawing Sheets**



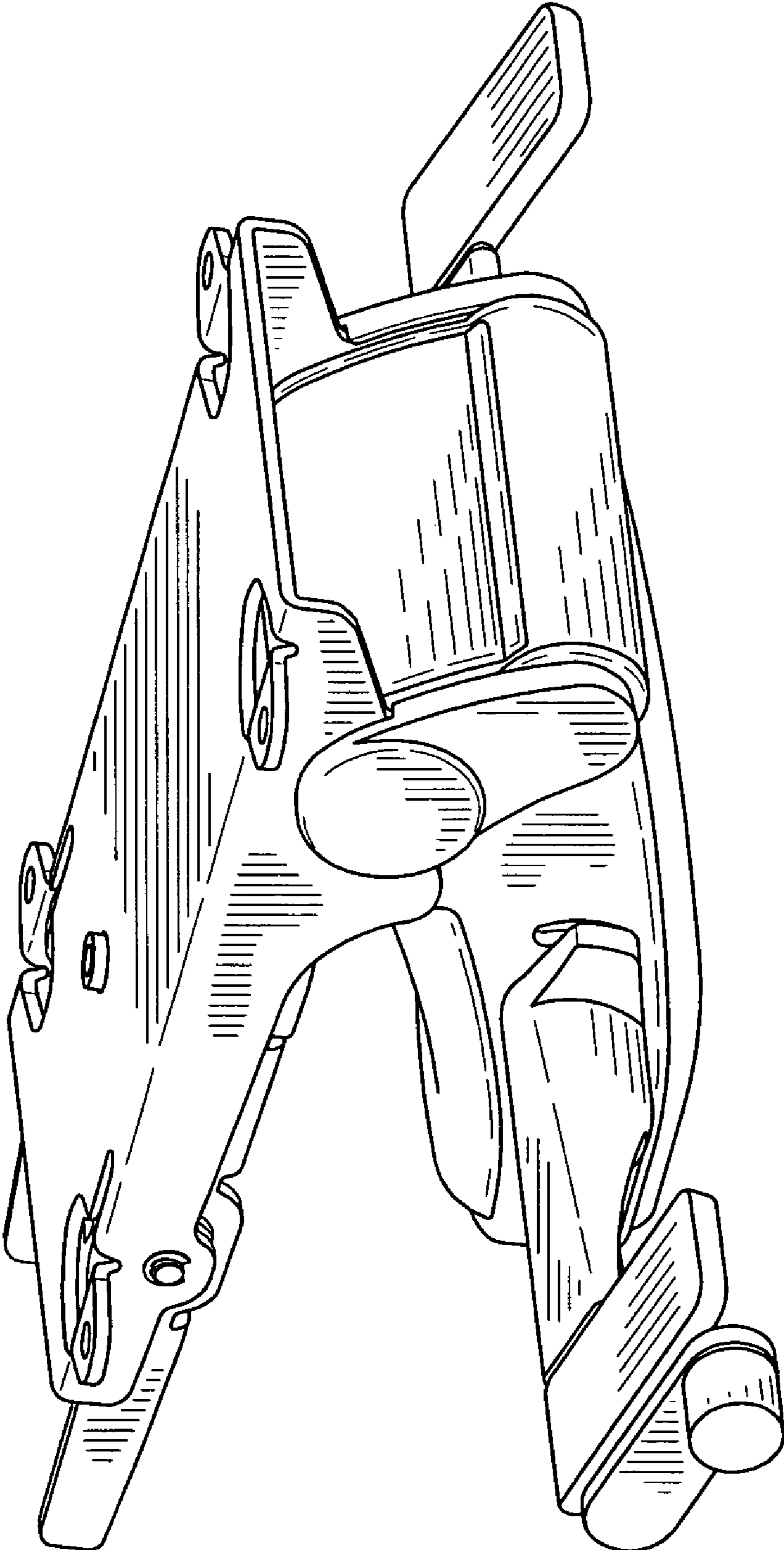


FIG-1

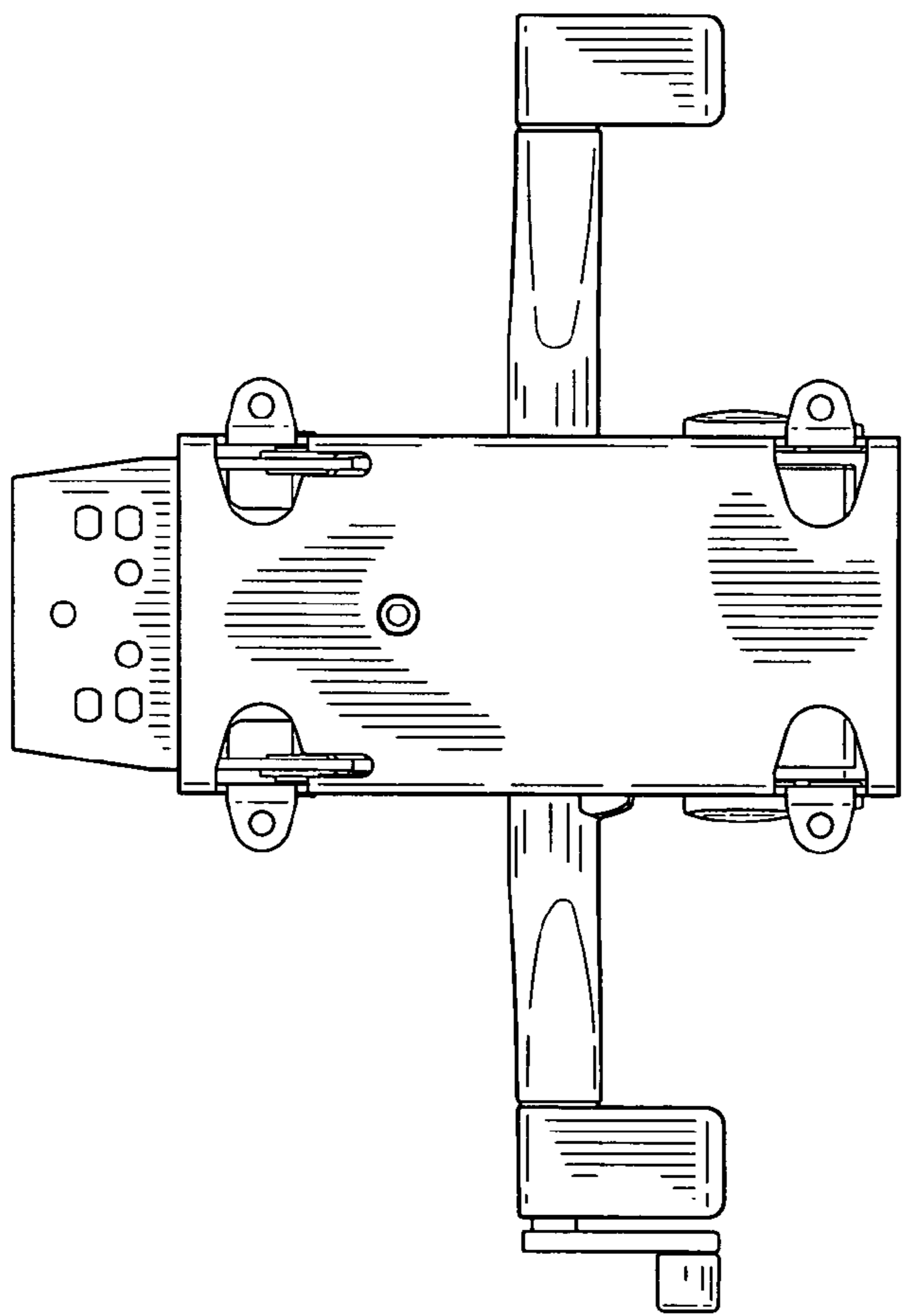


FIG-2

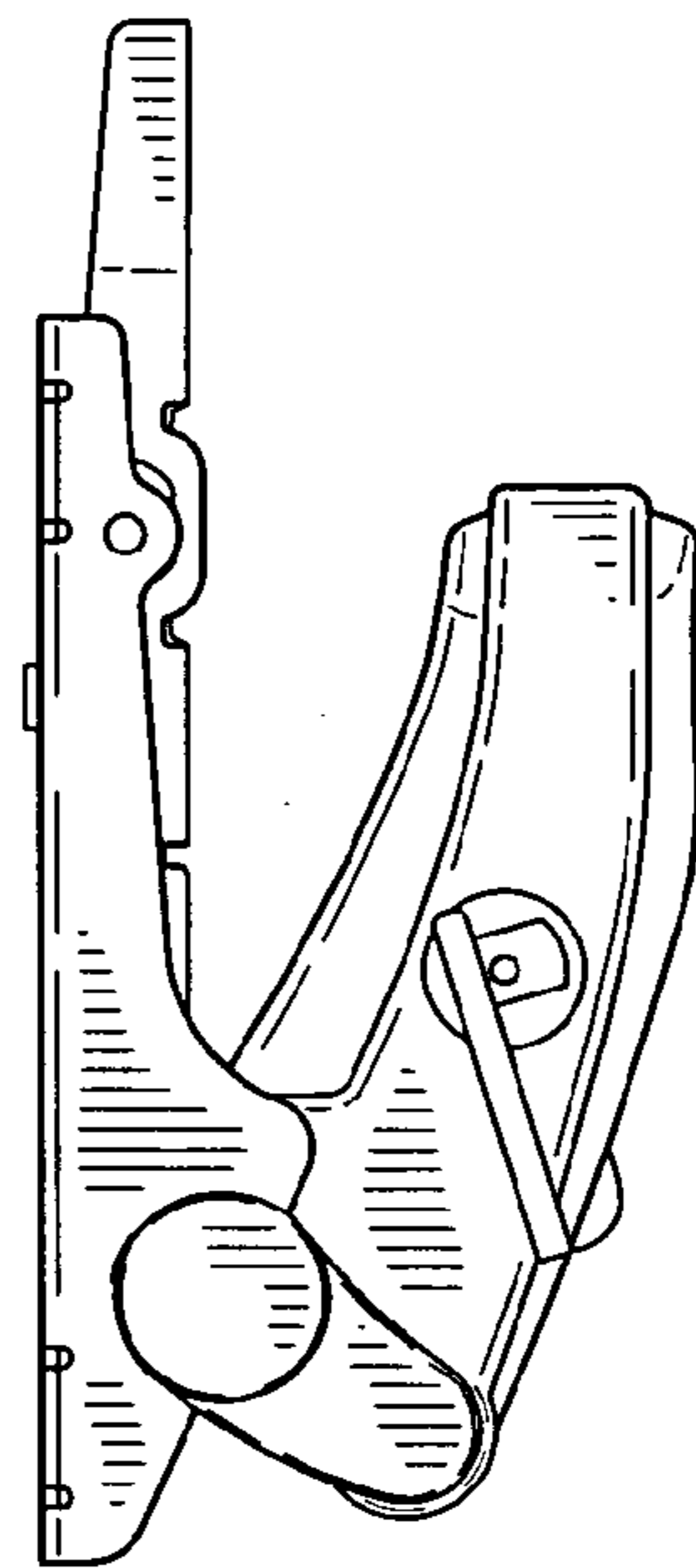


FIG-4

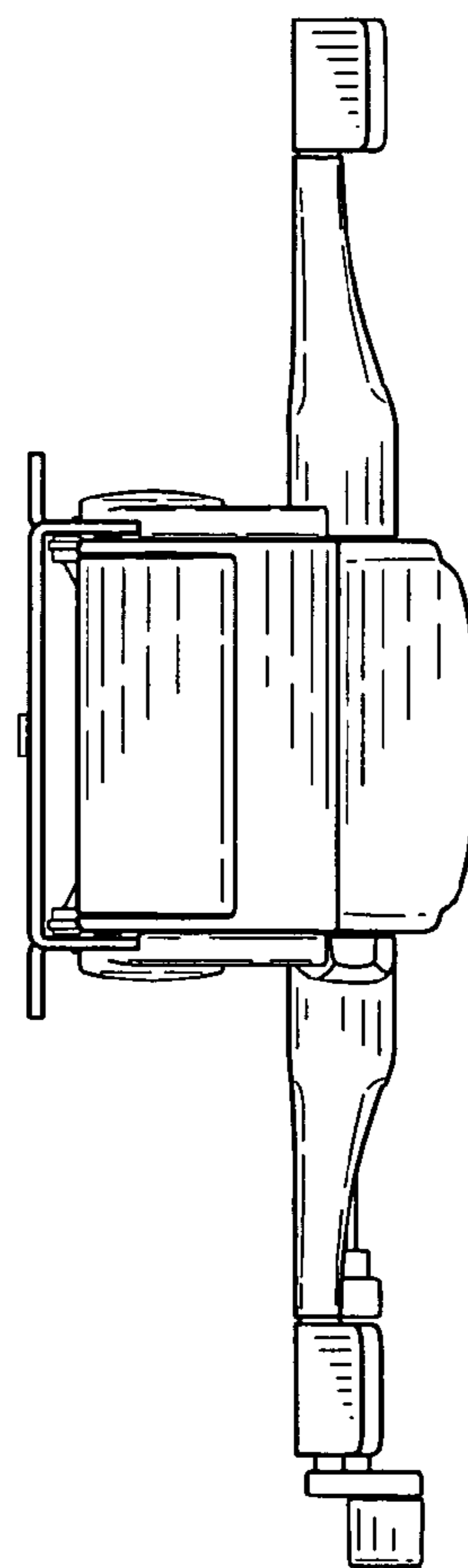


FIG-3

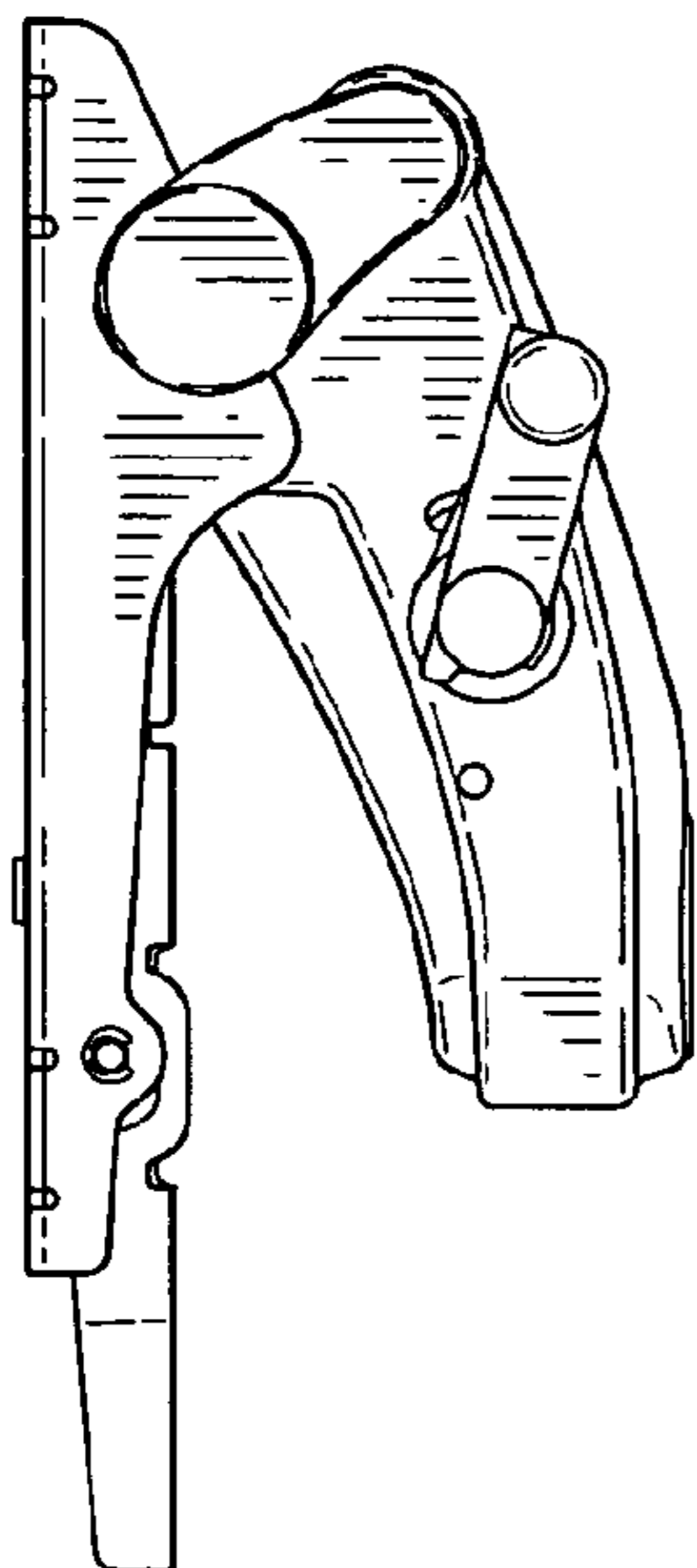


FIG-6

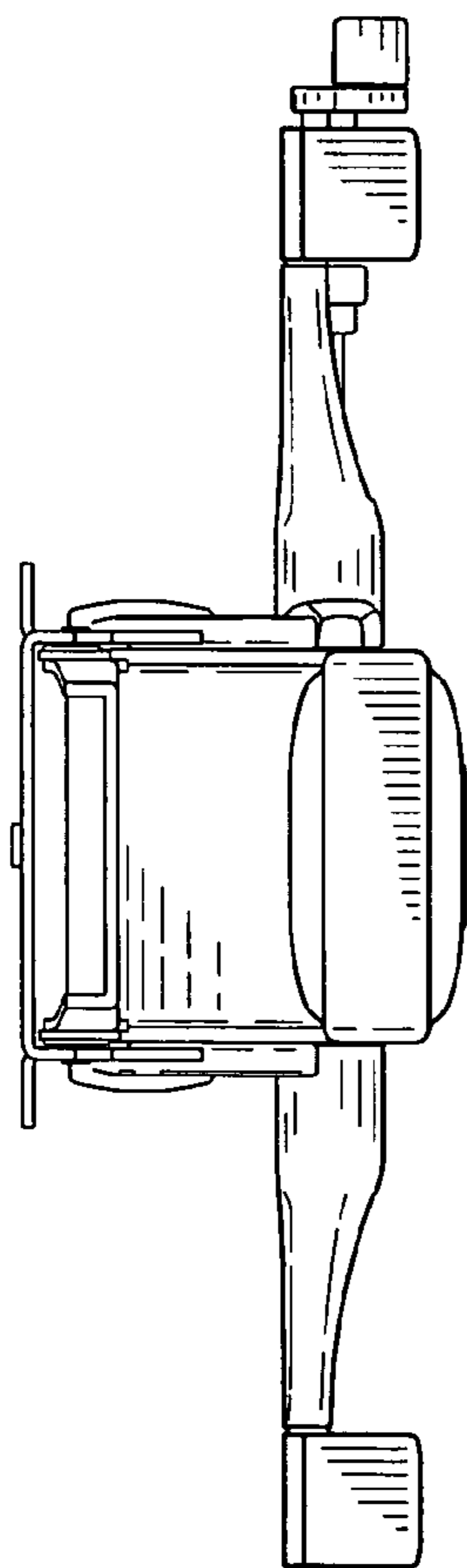


FIG-5

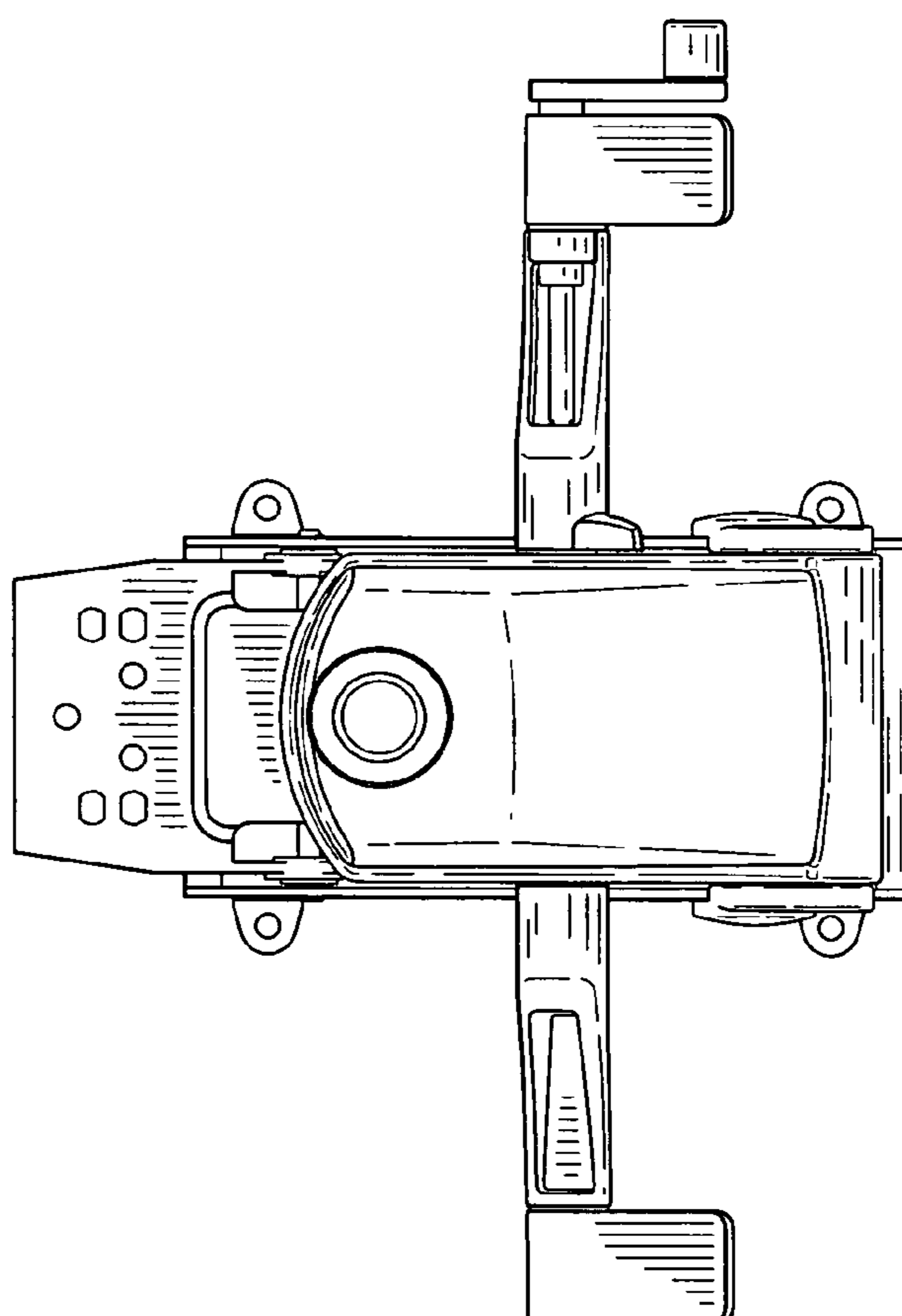


FIG-7