



US00D582703S

(12) **United States Design Patent**  
**Bauer et al.**

(10) **Patent No.:** **US D582,703 S**  
(45) **Date of Patent:** **\*\* Dec. 16, 2008**

(54) **LEG**  
(75) Inventors: **Alan M. Bauer**, Medina, OH (US);  
**Christopher Jon Gilbert**, Moreland Hills, OH (US)  
(73) Assignee: **Moen Incorporated**, North Olmsted, OH (US)  
(\*\*) Term: **14 Years**  
(21) Appl. No.: **29/322,690**  
(22) Filed: **Aug. 8, 2008**

5,940,905 A 8/1999 Cheng  
6,039,403 A 3/2000 Hargroder  
6,105,183 A 8/2000 Bly  
6,122,776 A 9/2000 Cheng  
D438,734 S 3/2001 Turner et al.  
D478,749 S 8/2003 Gilbert et al.  
D479,051 S 9/2003 Darst et al.  
6,974,191 B2 12/2005 Serhan  
D519,291 S 4/2006 Higgs et al.  
7,121,620 B1 10/2006 Fang  
2003/0102700 A1 6/2003 Lin  
2004/0051365 A1 3/2004 Darst et al.

\* cited by examiner

*Primary Examiner*—Mimosa De

(74) *Attorney, Agent, or Firm*—Calfee, Halter & Griswold LLP

(51) **LOC (8) Cl.** ..... **06-01**  
(52) **U.S. Cl.** ..... **D6/495**  
(58) **Field of Classification Search** ..... D6/334-336,  
D6/349, 374, 375, 376, 377, 379, 380, 422,  
D6/474, 491, 495, 500-502; D23/303, 304;  
4/559, 560.1, 572.1, 573.1, 578.1, 579; 297/24,  
297/183.1, 183.7, 338, 445.1, 446.1, 451.11,  
297/451.18, 452.21, 452.29, 452.36, 452.38;  
248/188, 188.1, 188.8

See application file for complete search history.

(56) **References Cited**

**U.S. PATENT DOCUMENTS**

D318,963 S \* 8/1991 Haseke et al. .... D6/422  
D347,528 S 6/1994 Lee  
D375,638 S 11/1996 Dhanapal et al.  
D379,411 S \* 5/1997 Funk ..... D6/495  
5,903,935 A 5/1999 Huelke

(57) **CLAIM**

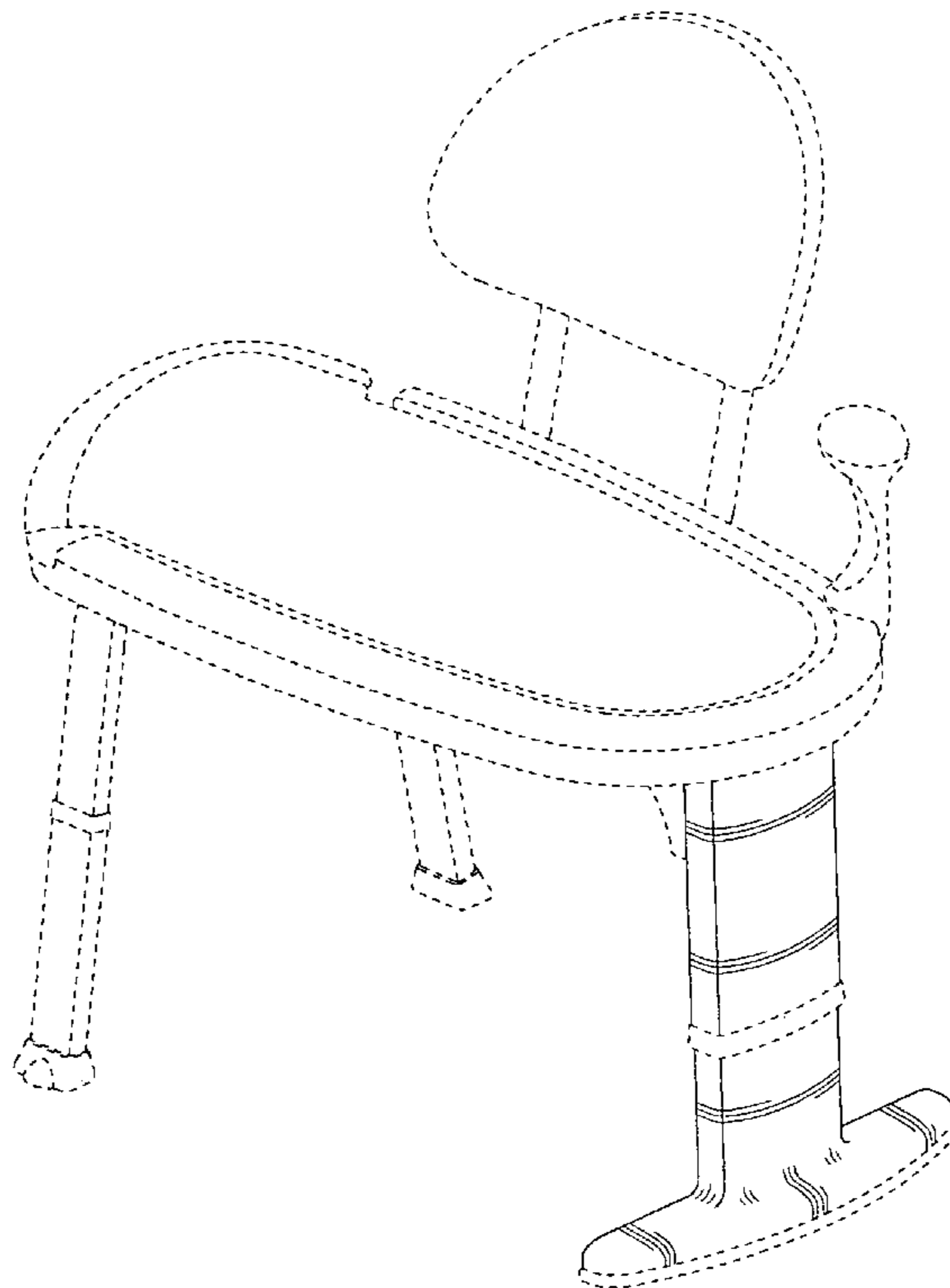
The ornamental design for a leg, as shown and described.

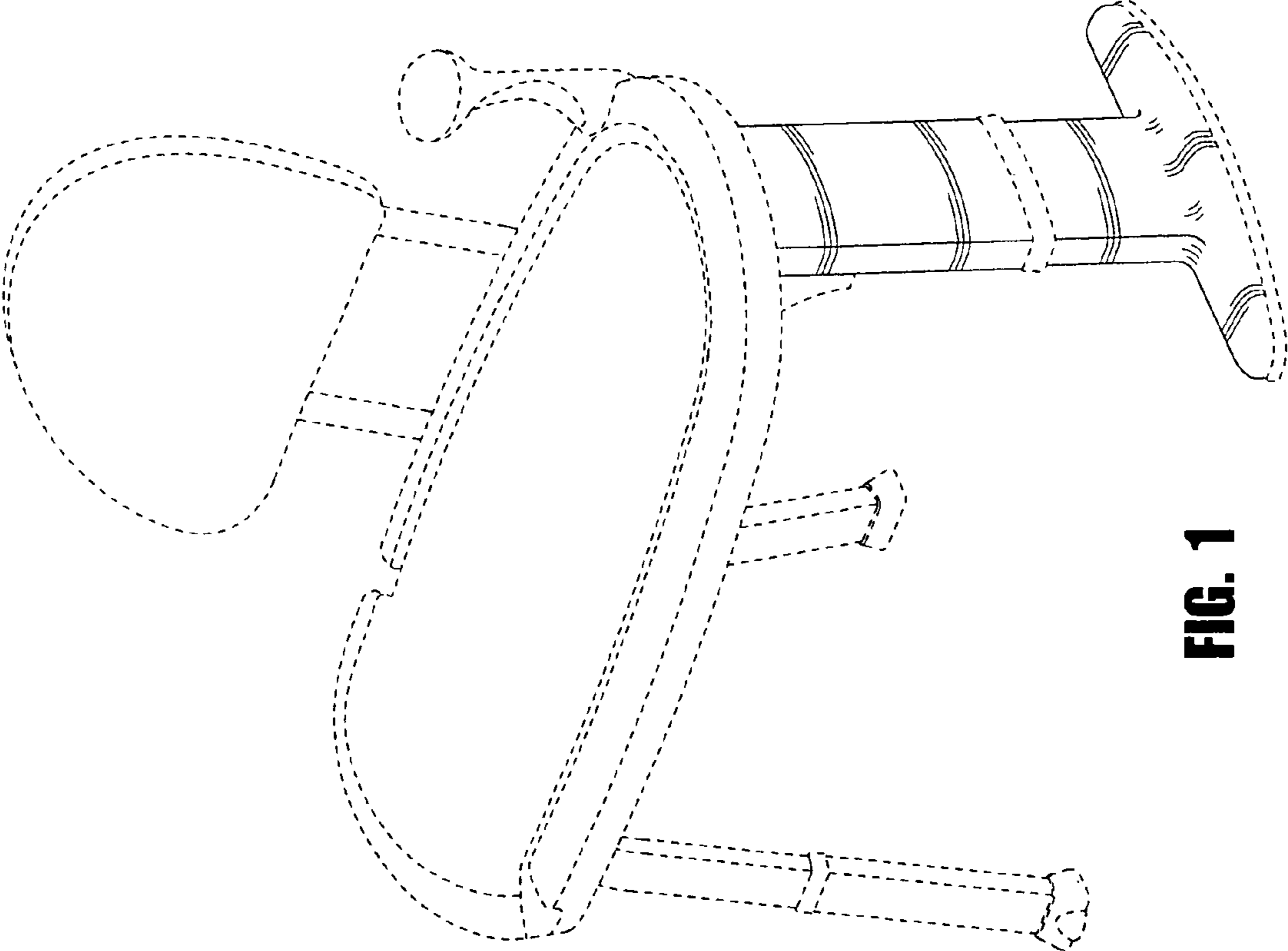
**DESCRIPTION**

FIG. 1 is a perspective view of a leg of the new design;  
FIG. 2 is a front elevational view of the leg of FIG. 1;  
FIG. 3 is a rear elevational view of the leg of FIG. 1;  
FIG. 4 is a right side elevational view of the leg of FIG. 1; and,  
FIG. 5 is a top plan view of the leg of FIG. 1.

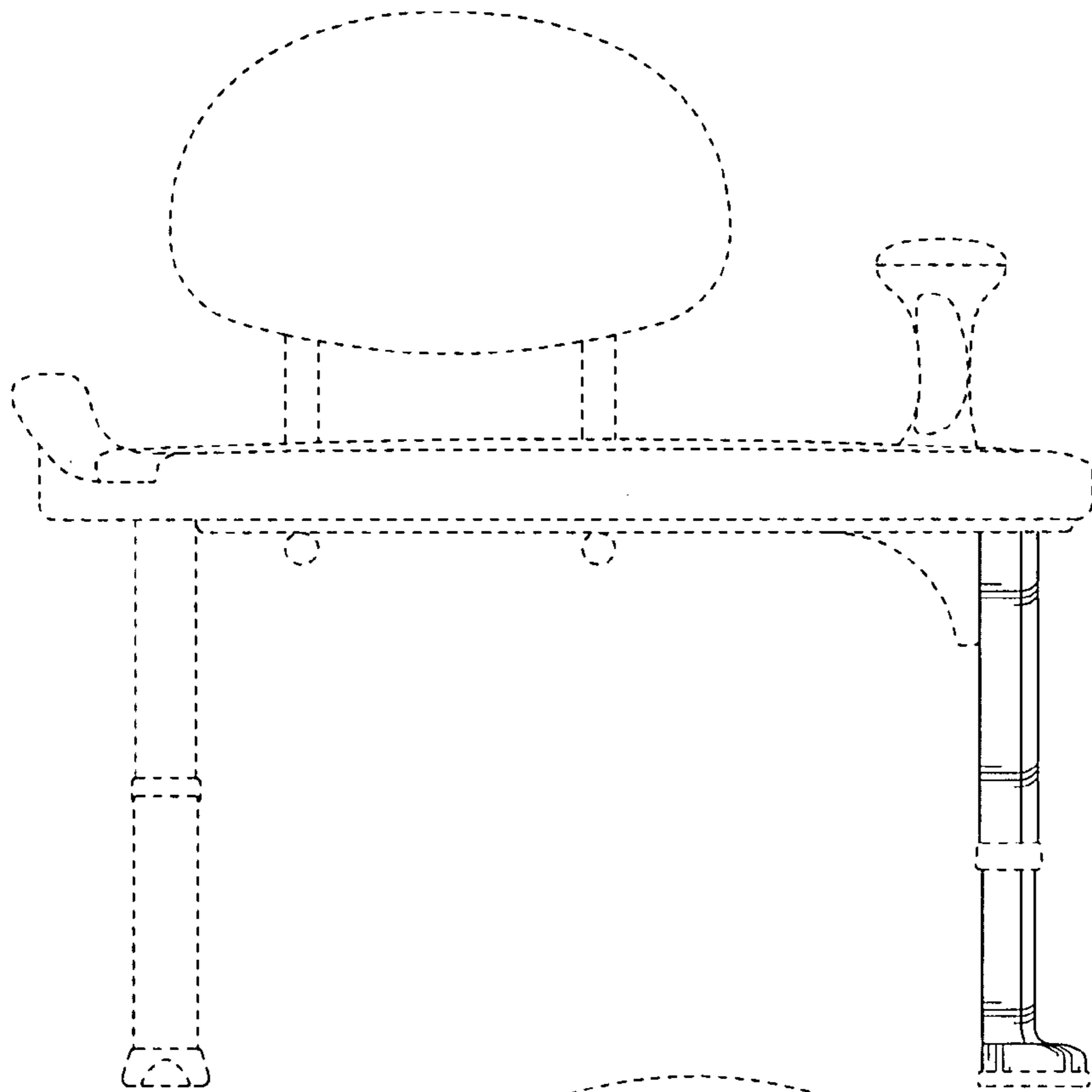
The portions of the Figures shown in broken lines are not part of the claimed design and are for illustration only.

**1 Claim, 3 Drawing Sheets**

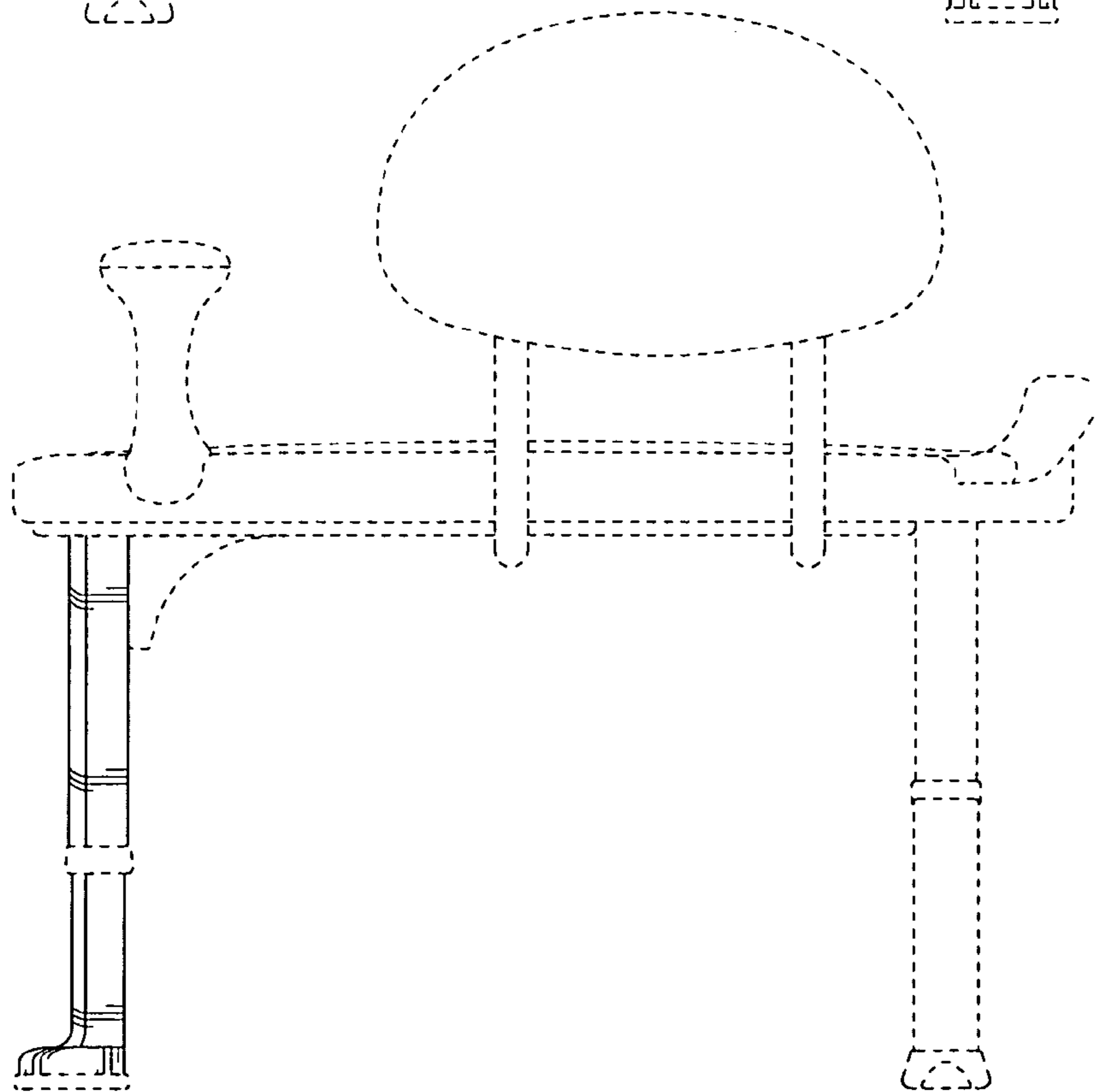




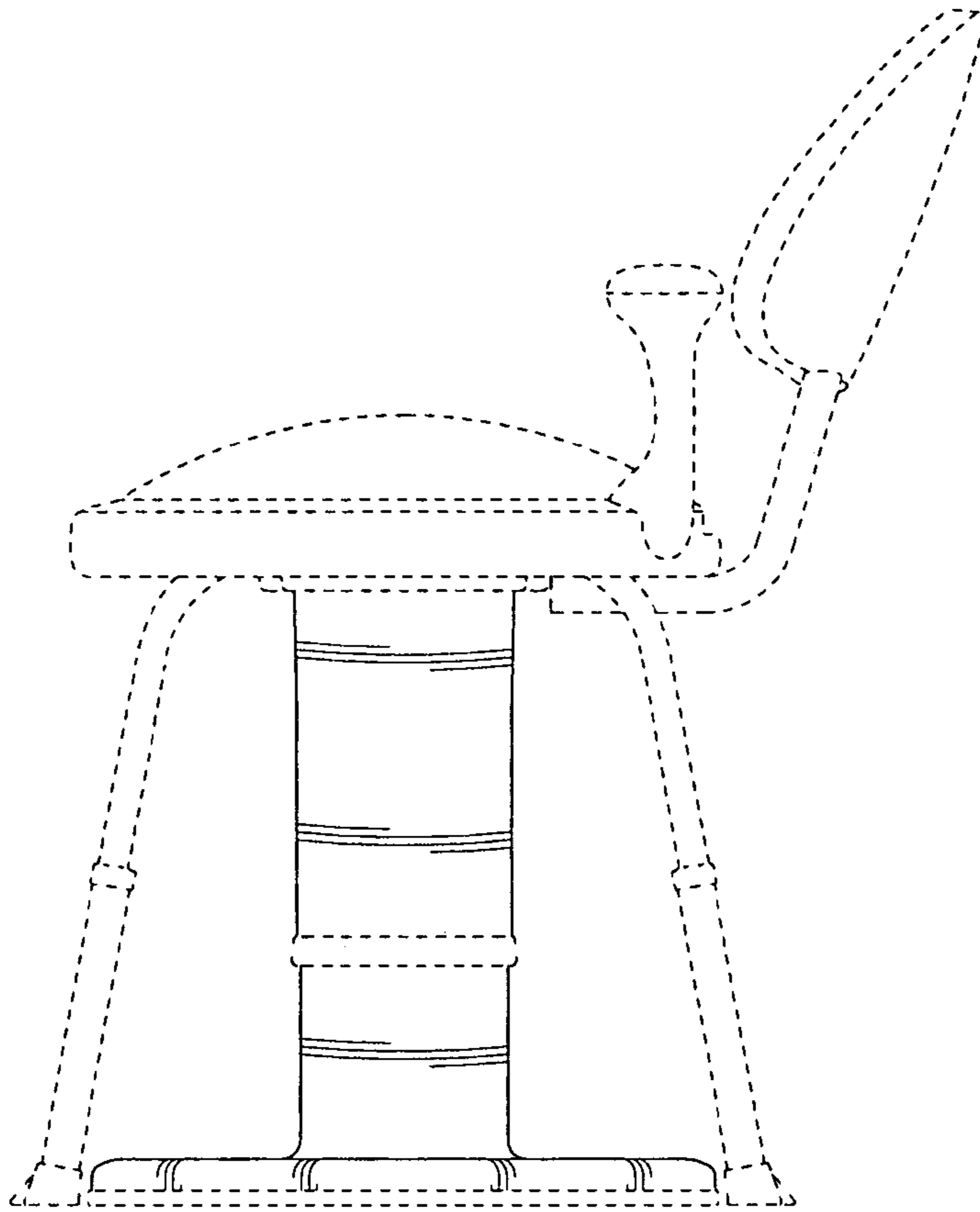
**FIG. 1**



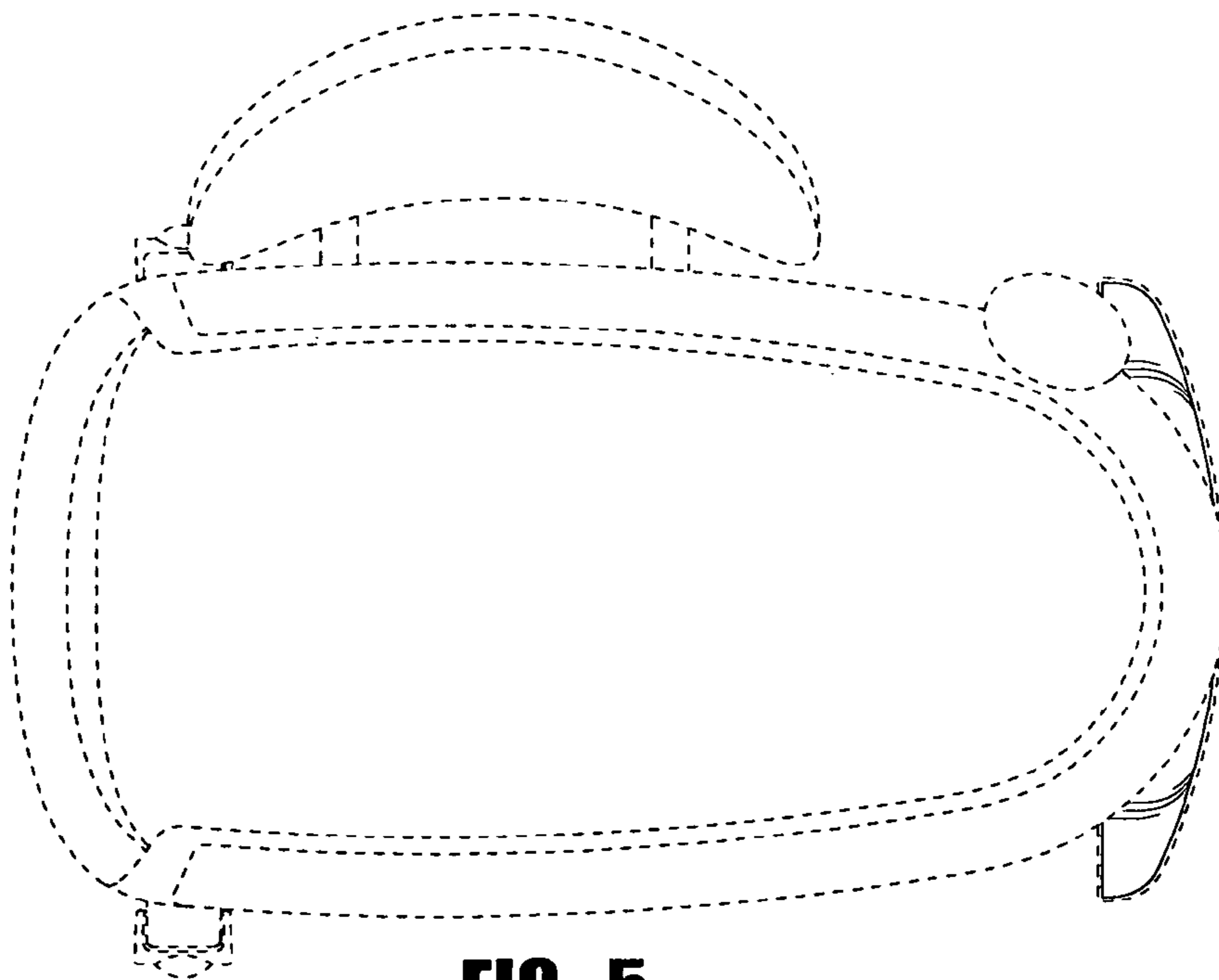
**FIG. 2**



**FIG. 3**



**FIG. 4**



**FIG. 5**