



US00D582700S

(12) **United States Design Patent**  
**Stebbens et al.**

(10) **Patent No.:** **US D582,700 S**  
(45) **Date of Patent:** **\*\* Dec. 16, 2008**

(54) **FLAT SCREEN STAND**

(75) Inventors: **Jason Andrew Stebbens**, West Yorkshire (GB); **Oliver Pearce Mitchell**, West Yorkshire (GB)

(73) Assignee: **Off The Wall (UK) Limited** (GB)

(\*\*) Term: **14 Years**

(21) Appl. No.: **29/298,974**

(22) Filed: **Dec. 17, 2007**

D401,410 S *	11/1998	Wyant	.....	D3/303
D414,800 S *	10/1999	Wyant	.....	D19/26
D435,591 S *	12/2000	Wyant	.....	D19/27
D458,053 S	6/2002	Luong		
D459,391 S *	6/2002	Huang	.....	D19/27
D495,163 S	8/2004	Weatherly		
D504,463 S *	4/2005	Wehmeyer	.....	D19/26
6,899,541 B2 *	5/2005	Kassai et al.	.....	434/236
D507,900 S	8/2005	Sexton		
D508,171 S	8/2005	Choo		
D537,658 S	3/2007	Tung		
D539,566 S	4/2007	Anderson		
D545,081 S	6/2007	Lara		

\* cited by examiner

**Related U.S. Application Data**

(62) Division of application No. 29/280,488, filed on May 30, 2007.

**Foreign Application Priority Data**

Nov. 30, 2006	(EM)	.....	630629-0001
Nov. 30, 2006	(EM)	.....	630629-0002
Nov. 30, 2006	(EM)	.....	630629-0003

(51) **LOC (8) Cl.** ..... **06-04**

(52) **U.S. Cl.** ..... **D6/477**

(58) **Field of Classification Search** ..... D6/477-479, D6/460-461, 468, 474, 407; D14/239, 129, D14/126; 108/59, 96, 91-92; 211/40, 41.12, 211/42, 49.1, 50, 85.2; 312/9.1, 9.2, 46, 312/9.64, 9.8, 7.2

See application file for complete search history.

(56) **References Cited**

**U.S. PATENT DOCUMENTS**

D311,549 S *	10/1990	Battisti	.....	D19/26
D319,659 S *	9/1991	Moor	.....	D19/27
D330,288 S *	10/1992	Rawson	.....	D6/309

*Primary Examiner*—Elizabeth A. Albert

*Assistant Examiner*—Kelley A Donnelly

(74) *Attorney, Agent, or Firm*—Adams Intellectual Property Law, P.A.

(57) **CLAIM**

We claim the ornamental design for a flat screen stand, as shown and described.

**DESCRIPTION**

FIG. 1 is a perspective view of the flat screen stand according to the invention;

FIG. 2 is a front elevational view of the flat screen stand of FIG. 1;

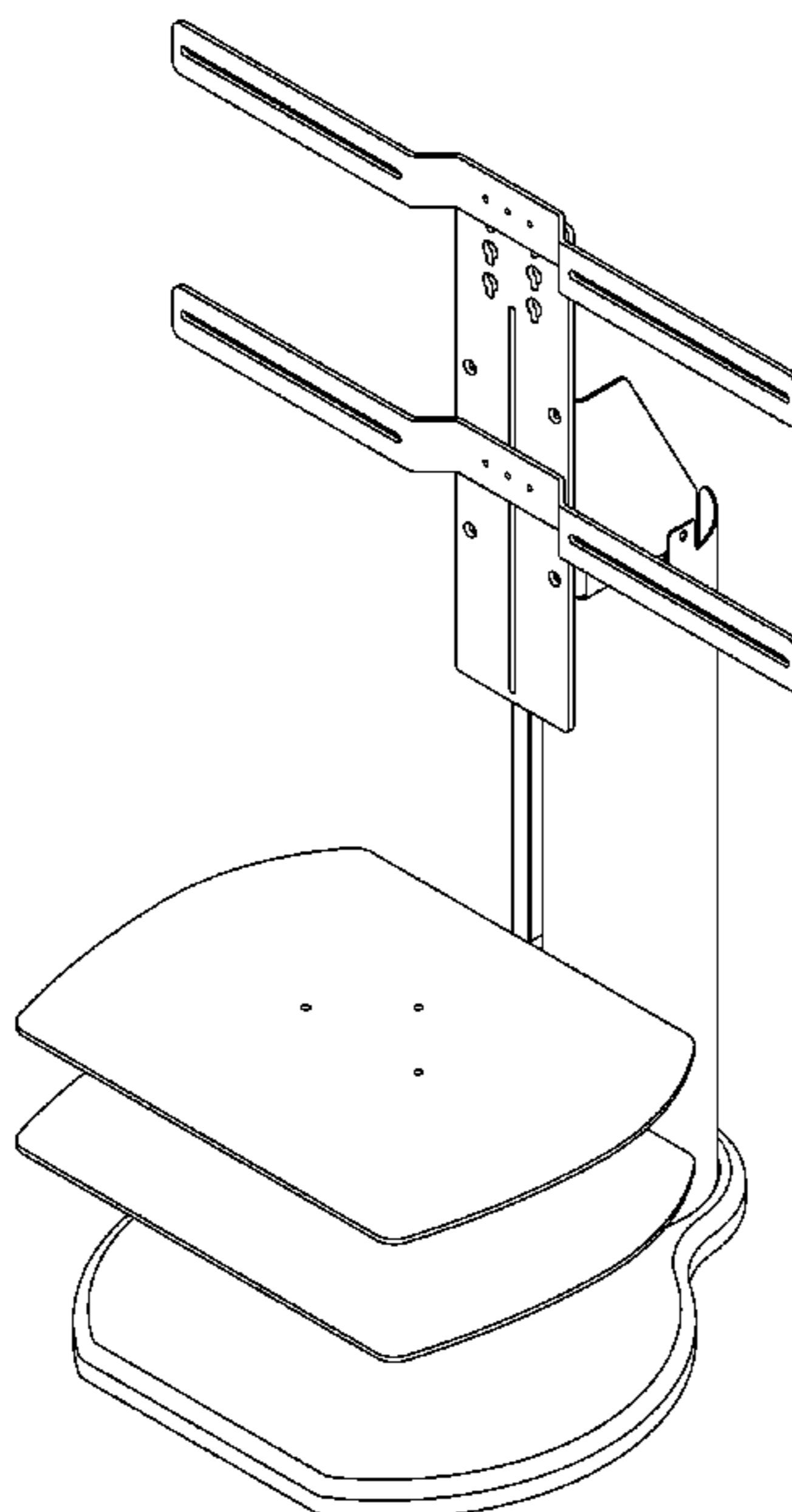
FIG. 3 is a side elevational view of the flat screen stand of FIG. 1;

FIG. 4 is a rear elevational view of the flat screen stand of FIG. 1;

FIG. 5 is a top plan view of the flat screen stand of FIG. 1; and,

FIG. 6 is a bottom plan view of the flat screen stand of FIG. 1.

**1 Claim, 6 Drawing Sheets**



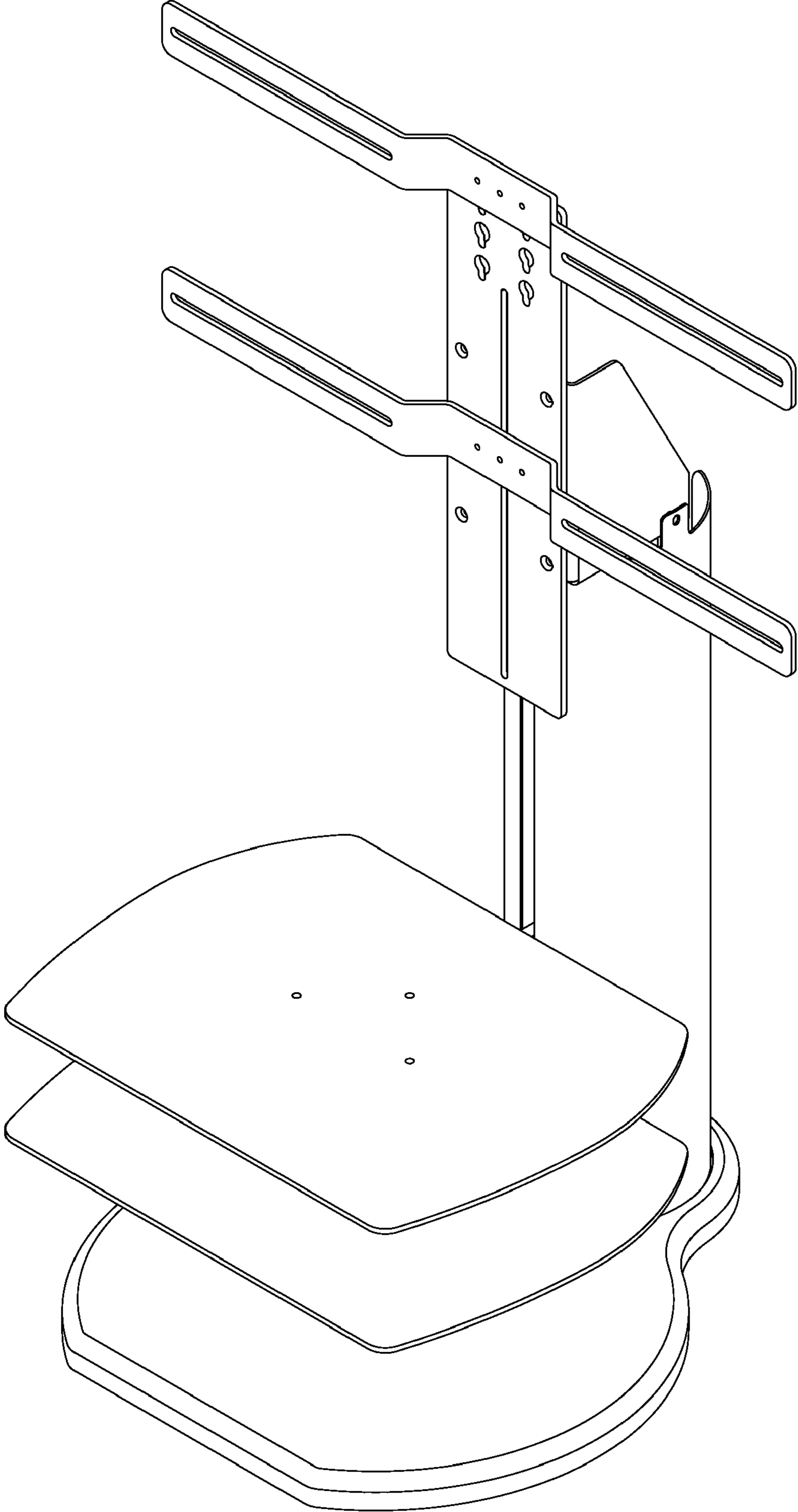


Fig. 1

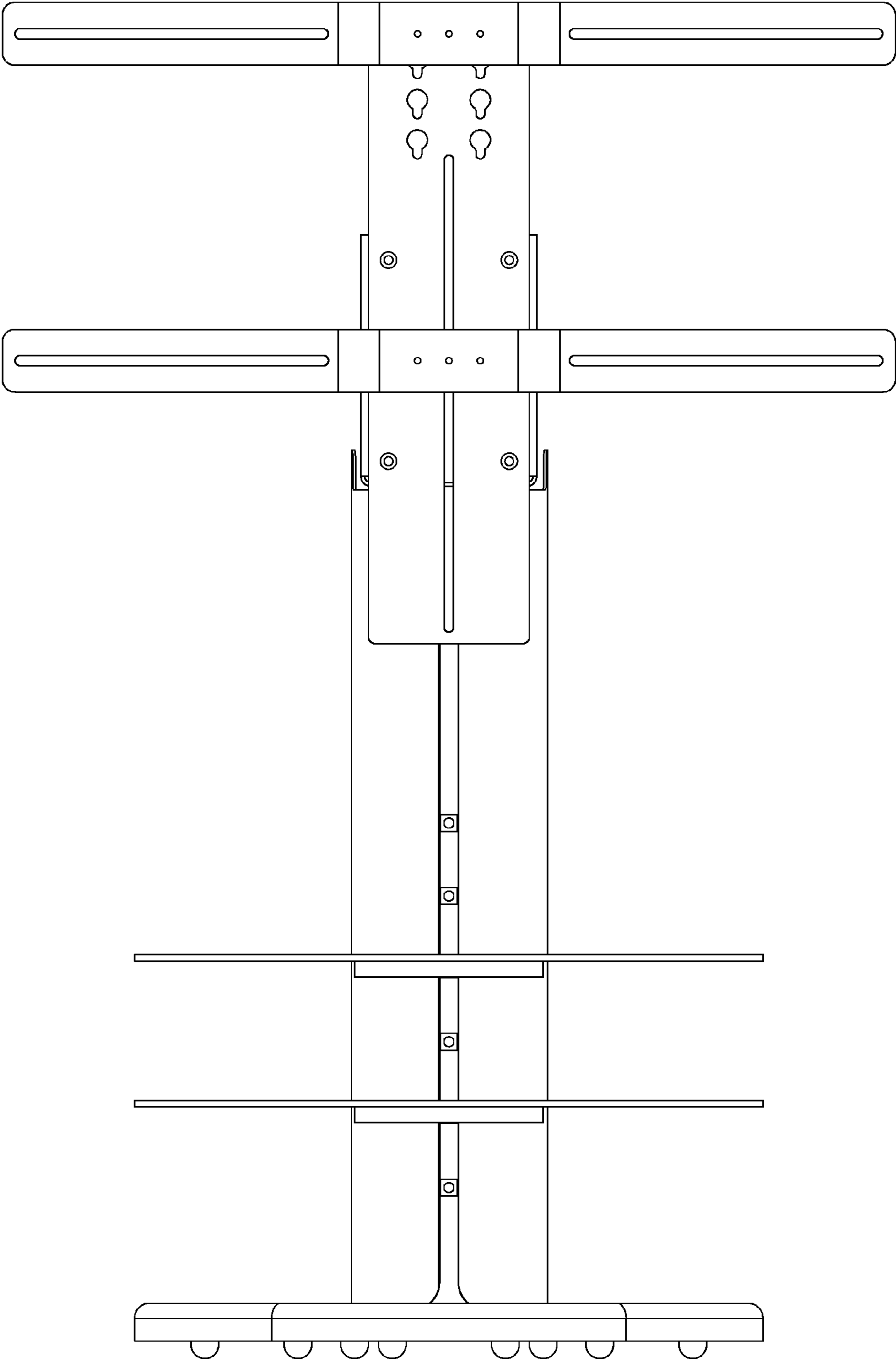


Fig. 2

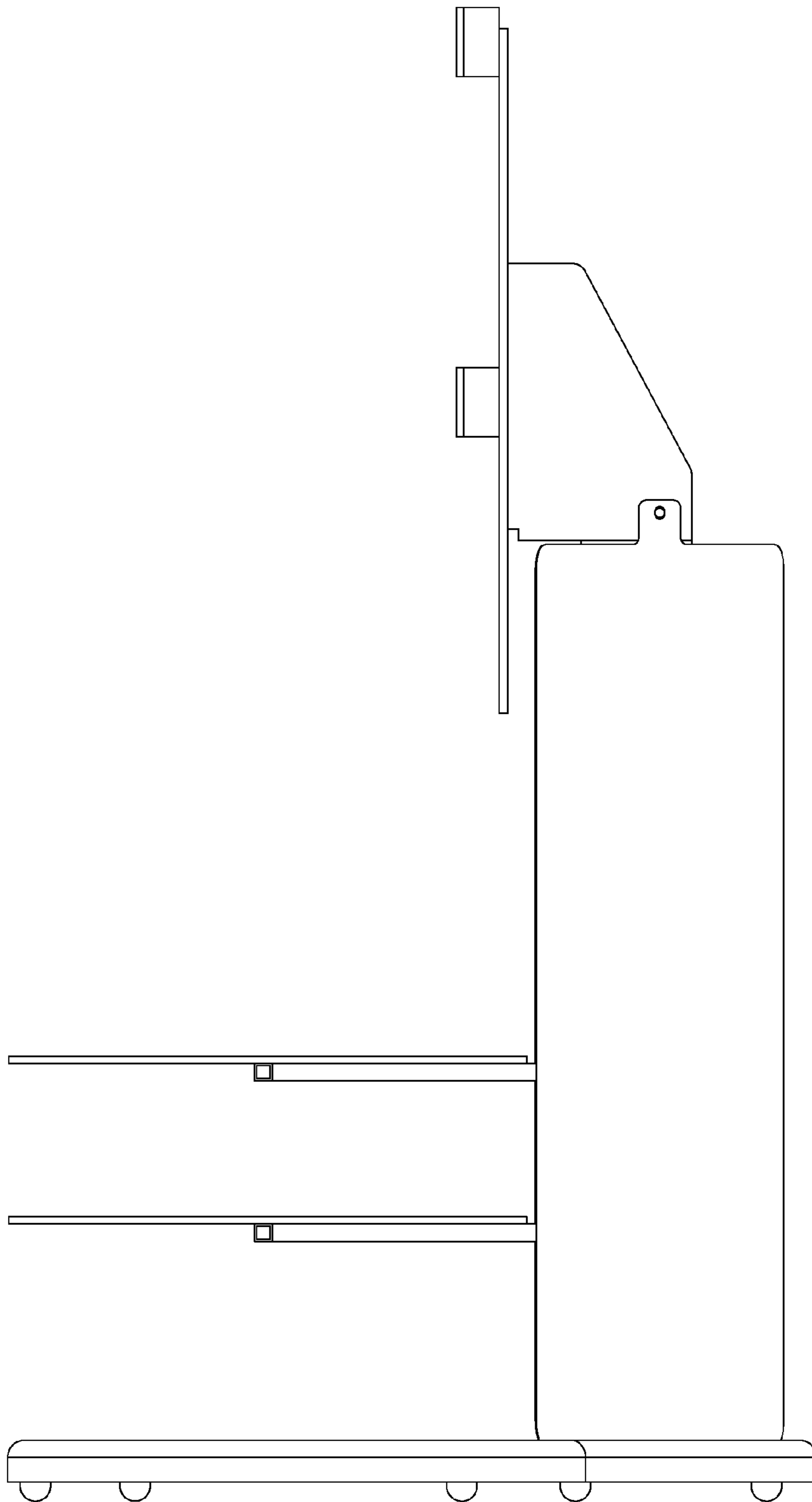


Fig. 3

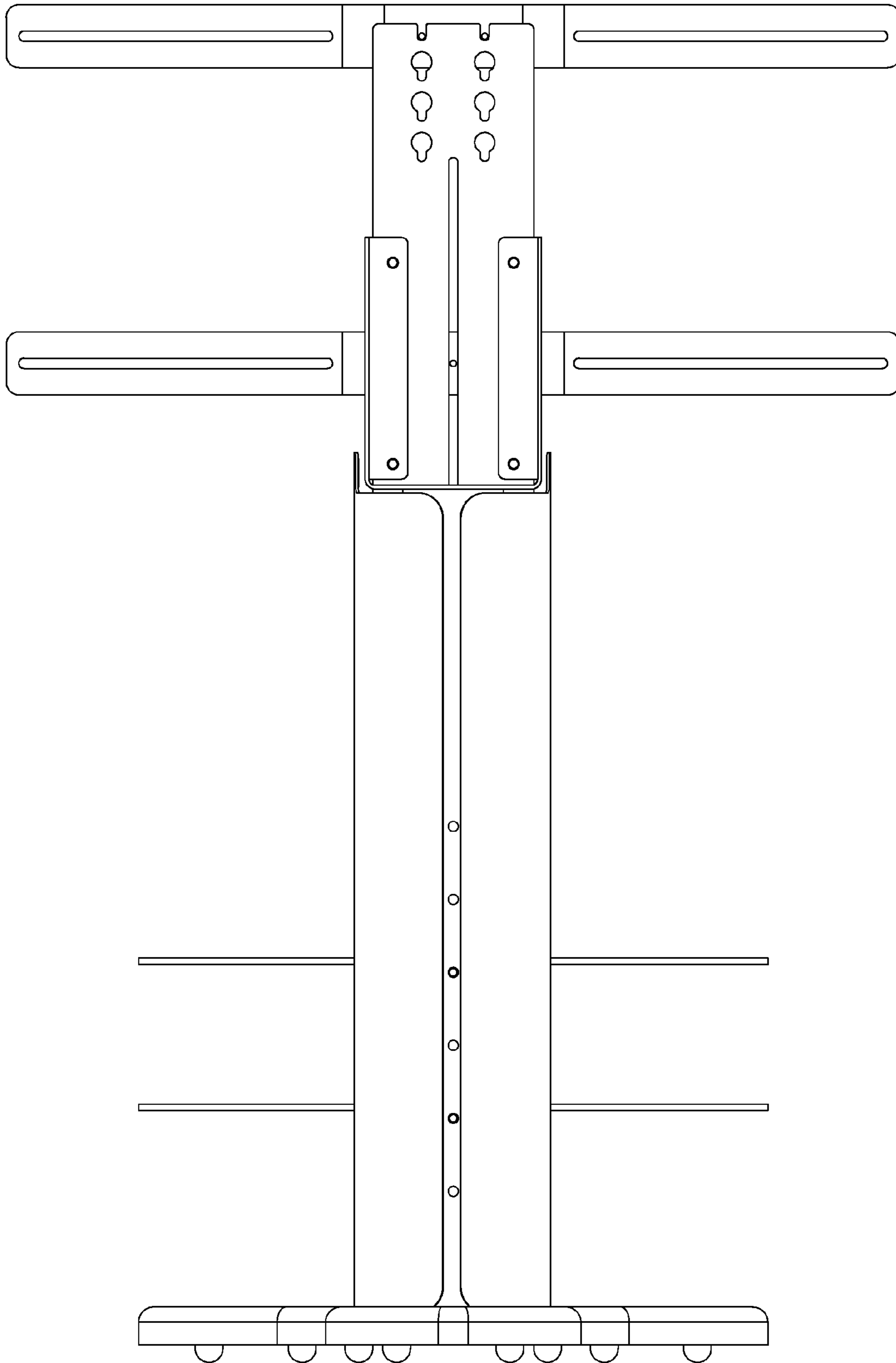


Fig. 4

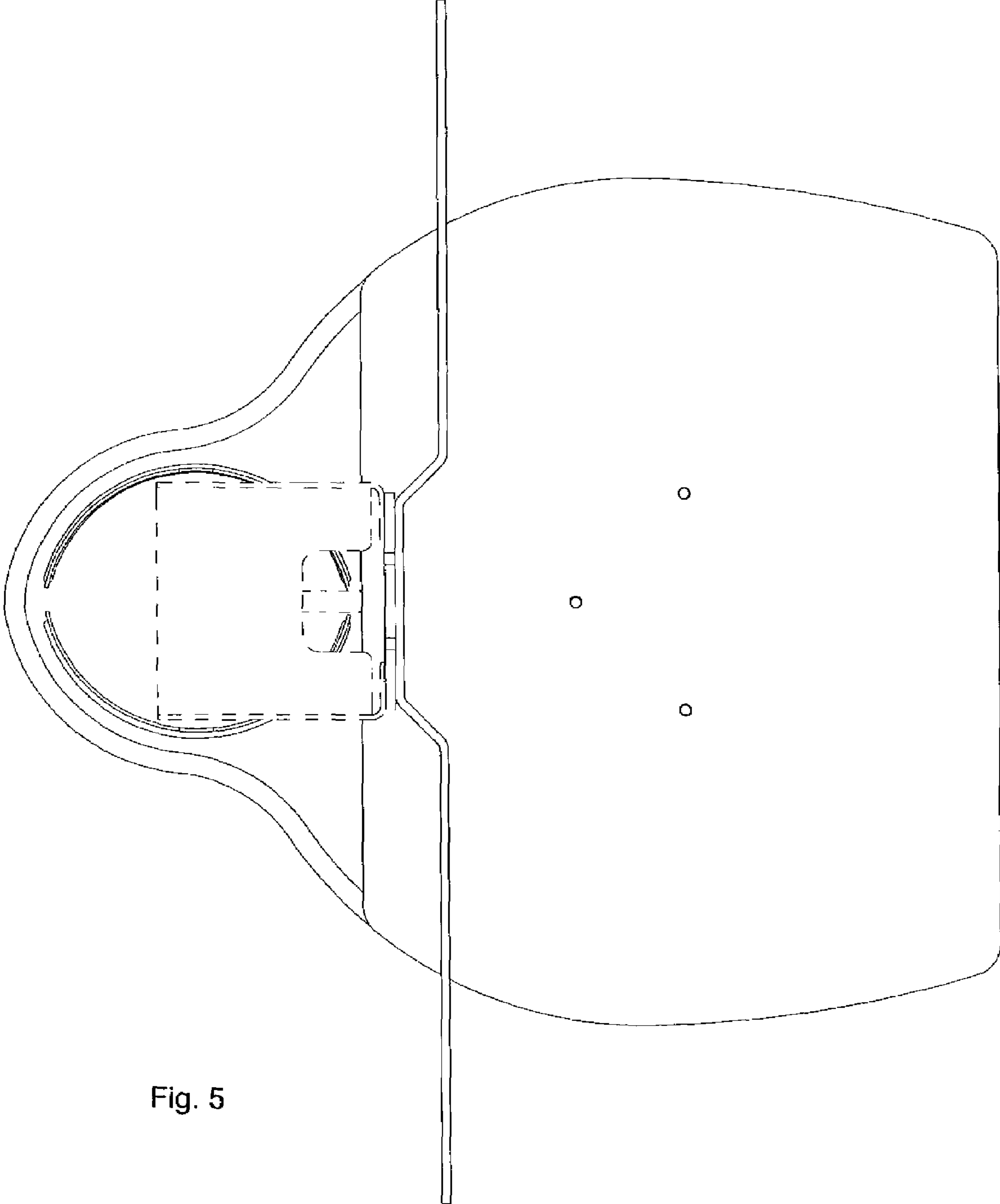


Fig. 5

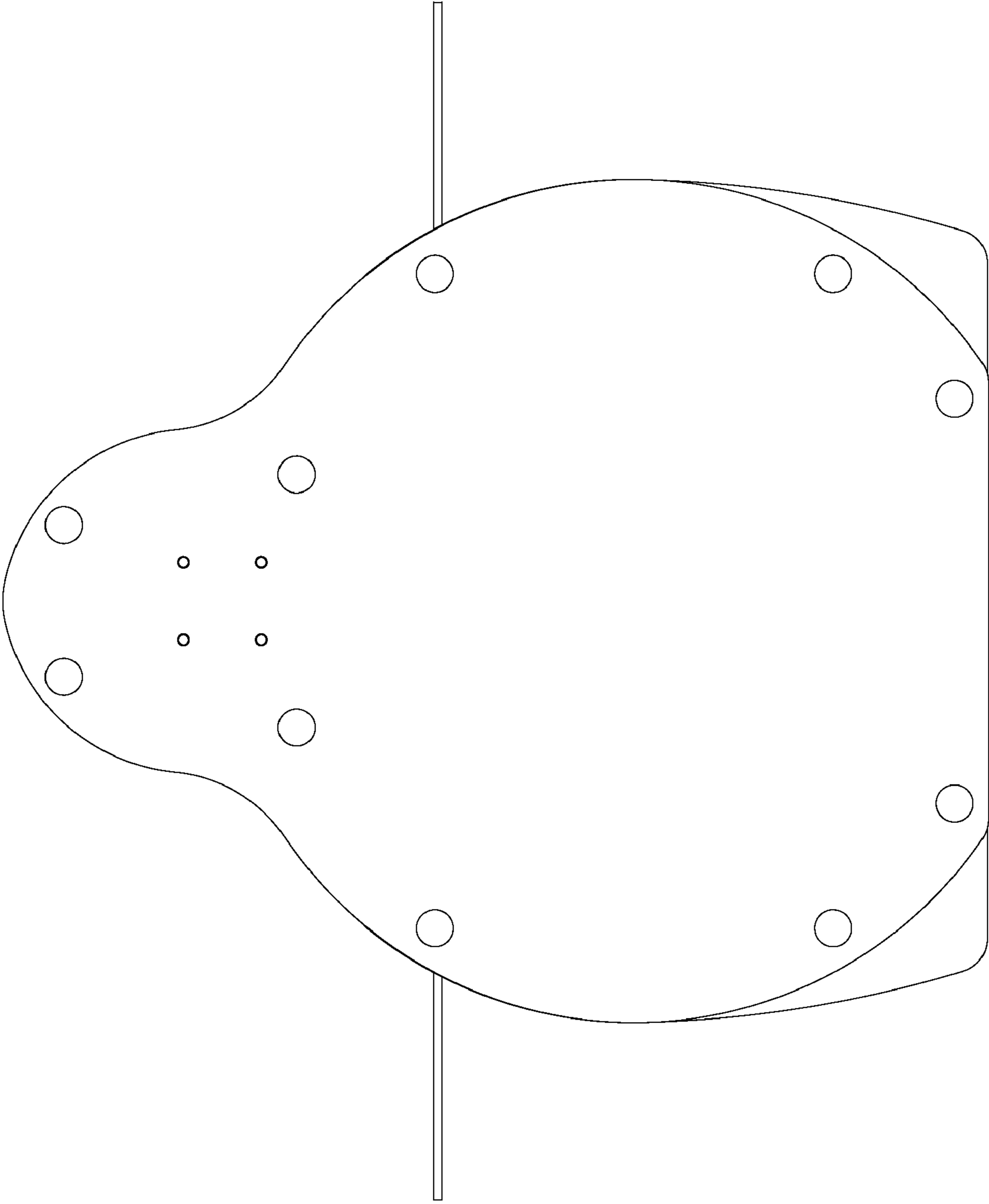


Fig. 6