



US00D582699S

(12) **United States Design Patent**
Nelson

(10) **Patent No.:** **US D582,699 S**
(45) **Date of Patent:** **** Dec. 16, 2008**

(54) **ROLLING PEGBOARD**

(76) Inventor: **Arlyn D. Nelson**, 16171 Fishing Ave.
West, Rosemount, MN (US) 55068

(**) Term: **14 Years**

(21) Appl. No.: **29/269,677**

(22) Filed: **Dec. 6, 2006**

(51) **LOC (8) Cl.** **06-04**

(52) **U.S. Cl.** **D6/467**

(58) **Field of Classification Search** D6/449,
D6/455, 457, 470, 472, 475, 416, 417, 462,
D6/464-465, 474, 537, 562, 566, 567, 574,
D6/304-306, 468, 44, 436, 478, 467, 396,
D6/397, 479, 477, 466, 473, 463; 108/91-93,
108/107, 144.11, 149, 59, 161, 111, 2, 108;
248/156, 153, 235, 243; 312/107, 114, 117,
312/138.1, 204, 234; 52/165, 166; 211/59.4,
211/85.1, 135, 163, 69, 85.5, 85.2, 13.1,
211/153, 186-190, 194, 85.3, 86.01, 87.01,
211/90.01, 90.03, 134, 181.1; D3/10

See application file for complete search history.

(56) **References Cited**

U.S. PATENT DOCUMENTS

2,016,421 A 10/1935 Eichner
2,626,711 A 1/1953 Saul, Jr. et al.
D183,078 S * 6/1958 Anderson D6/462
4,338,987 A 7/1982 Miles
4,480,755 A 11/1984 Cartwright
4,531,645 A 7/1985 Tisbo et al.

5,094,352 A 3/1992 Green, Sr. et al.
D330,813 S * 11/1992 Spitzer et al. D6/432
D337,433 S * 7/1993 Wilson D3/274
D350,247 S * 9/1994 Buske D6/484
D365,704 S * 1/1996 Brown et al. D6/467
5,653,348 A * 8/1997 MacDonald 211/87.01
5,725,037 A 3/1998 Faulhaber
D479,064 S 9/2003 Goldberg
D515,315 S * 2/2006 Rader et al. D3/304
D573,828 S * 7/2008 Clokey et al. D6/553
2005/0016943 A1 1/2005 Dick
2007/0262038 A1 * 11/2007 Harbison et al. 211/162
2008/0136301 A1 * 6/2008 Harbison et al. 312/334.1

* cited by examiner

Primary Examiner—Robert M Spear
Assistant Examiner—Katrina A Kile
(74) *Attorney, Agent, or Firm*—Kyle Fletcher

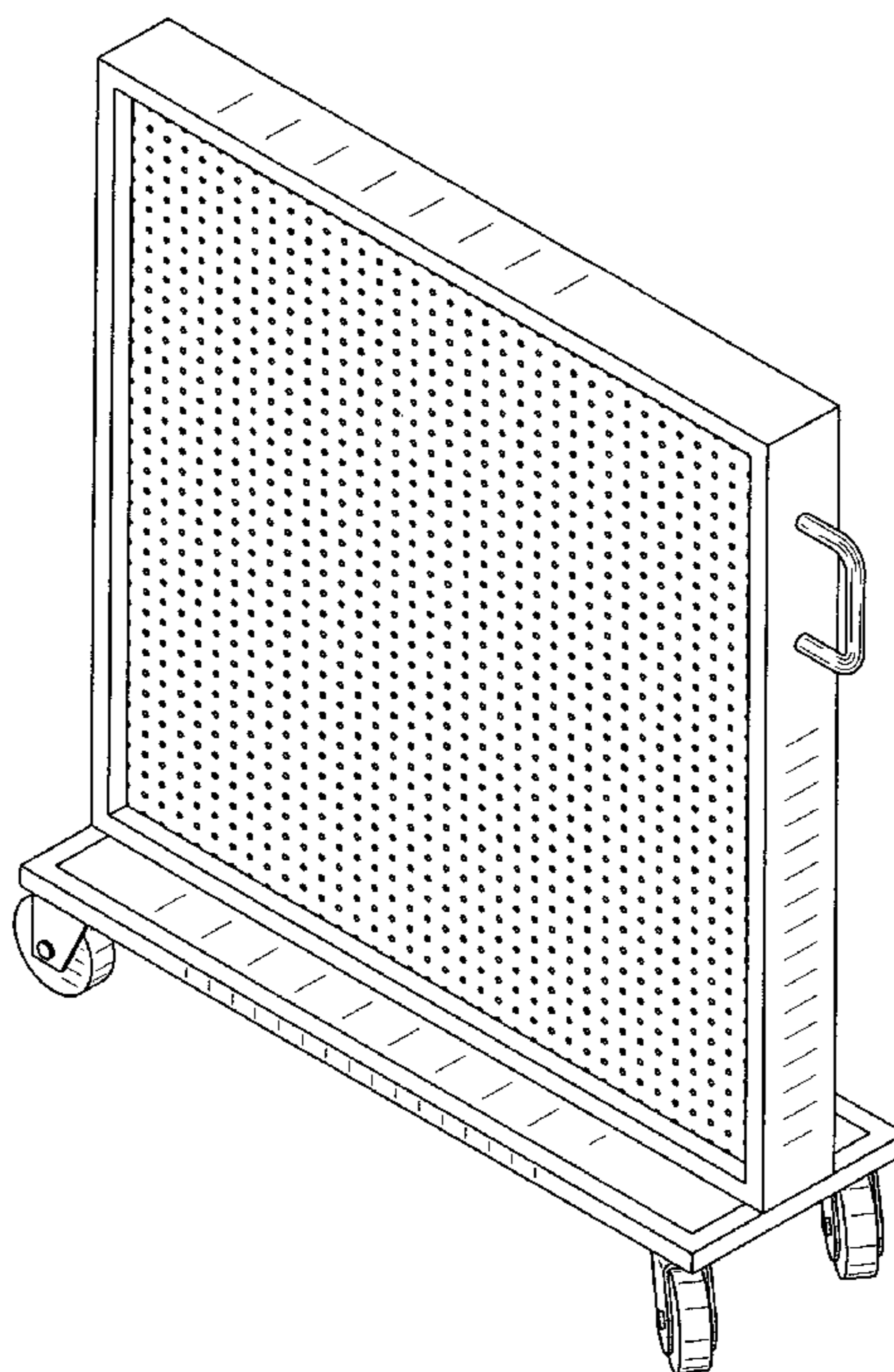
(57) **CLAIM**

The ornamental design for a rolling pegboard, as shown and described.

DESCRIPTION

FIG. 1 is a left-side view of a rolling pegboard.
FIG. 2 is a right-side view of a rolling pegboard.
FIG. 3 is a rear-side view of a rolling pegboard.
FIG. 4 is a front-side view of a rolling pegboard.
FIG. 5 is a top view of a rolling pegboard.
FIG. 6 is a bottom view of a rolling pegboard; and,
FIG. 7 is an isometric view of a rolling pegboard.

1 Claim, 5 Drawing Sheets



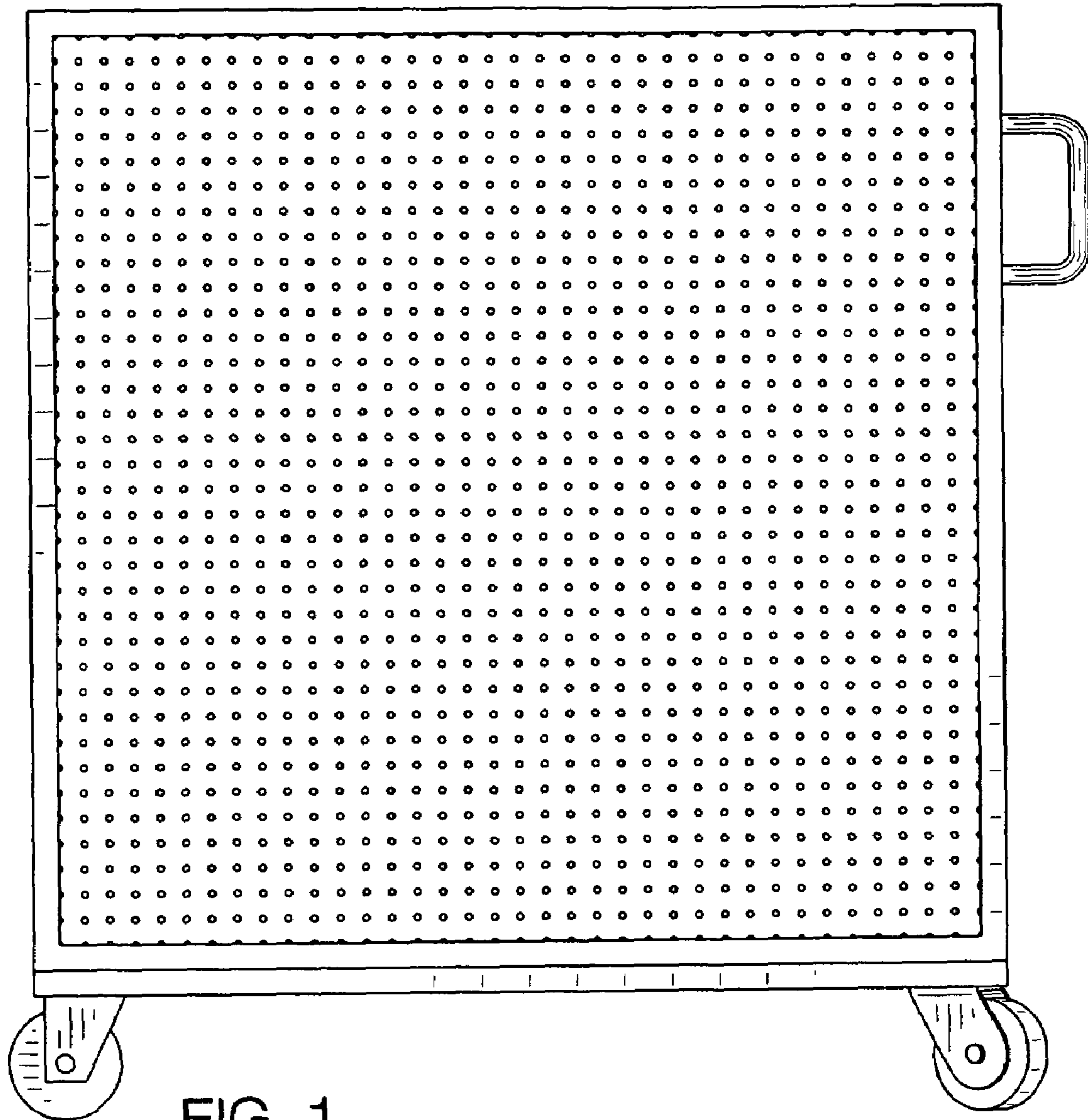


FIG. 1

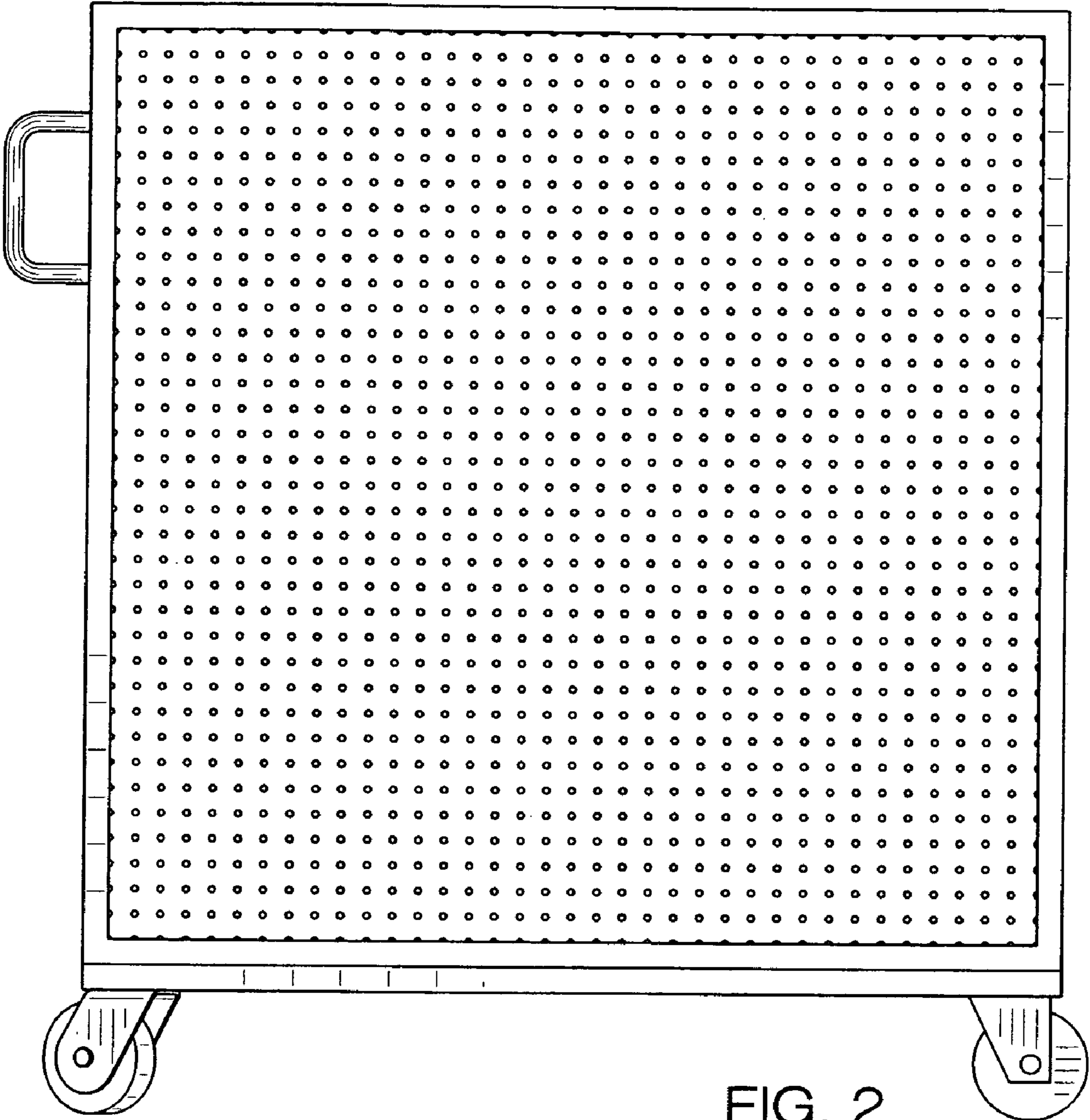


FIG. 2

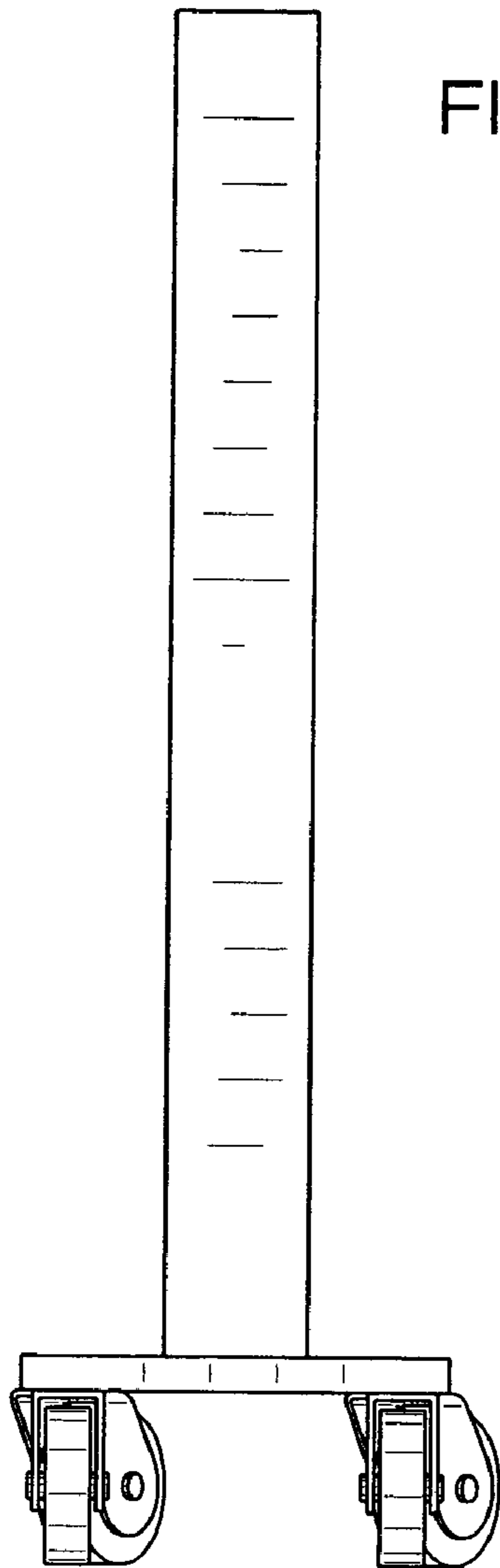


FIG. 3

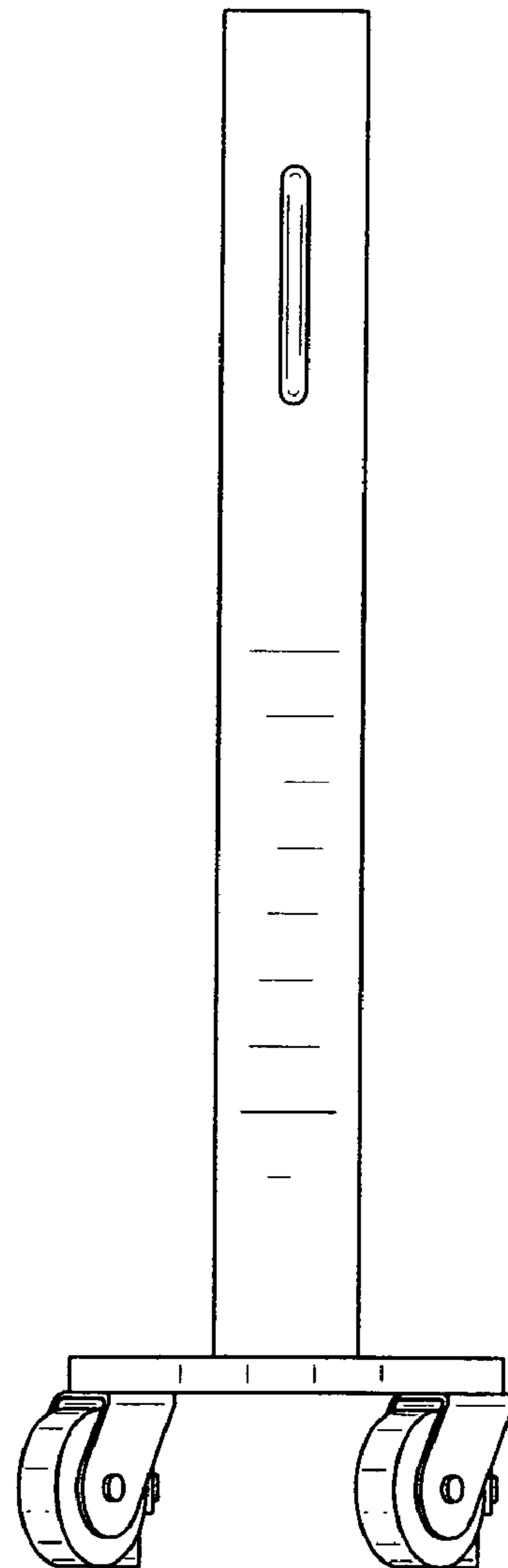


FIG. 4

FIG. 5

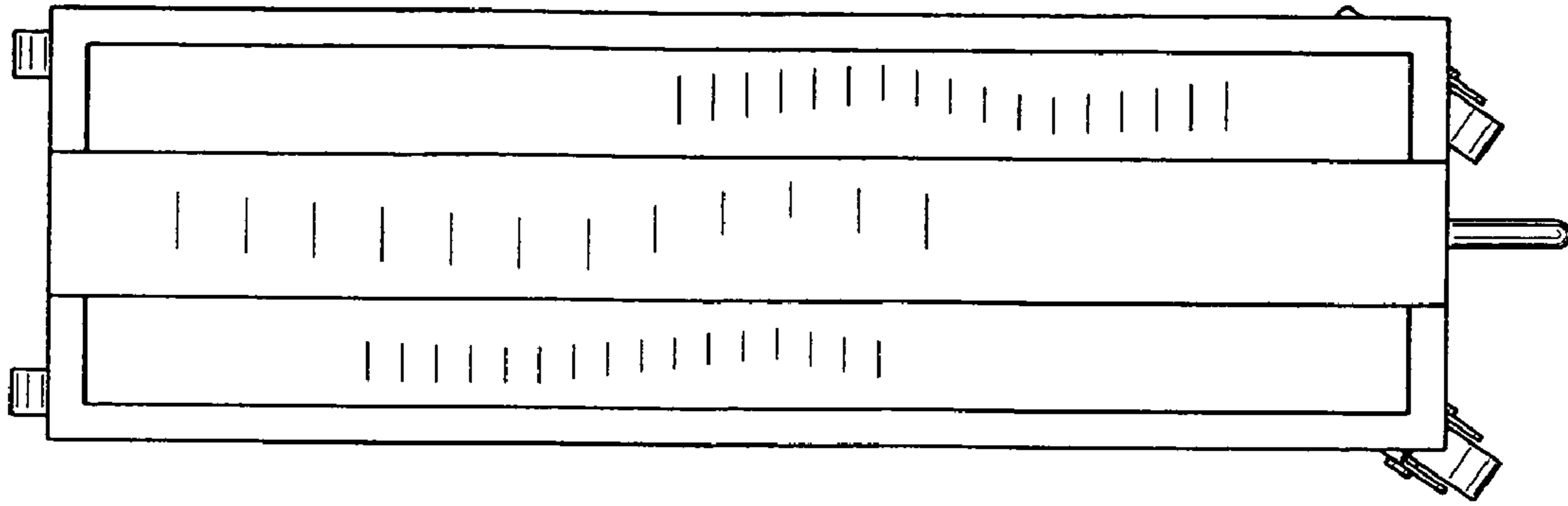
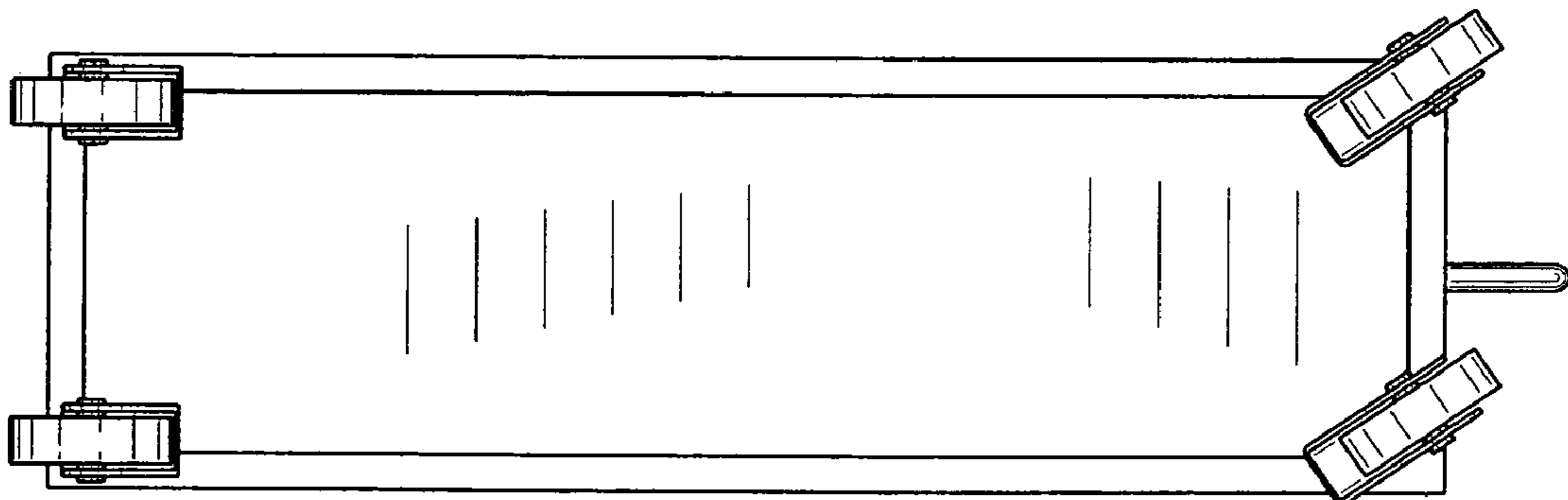


FIG. 6



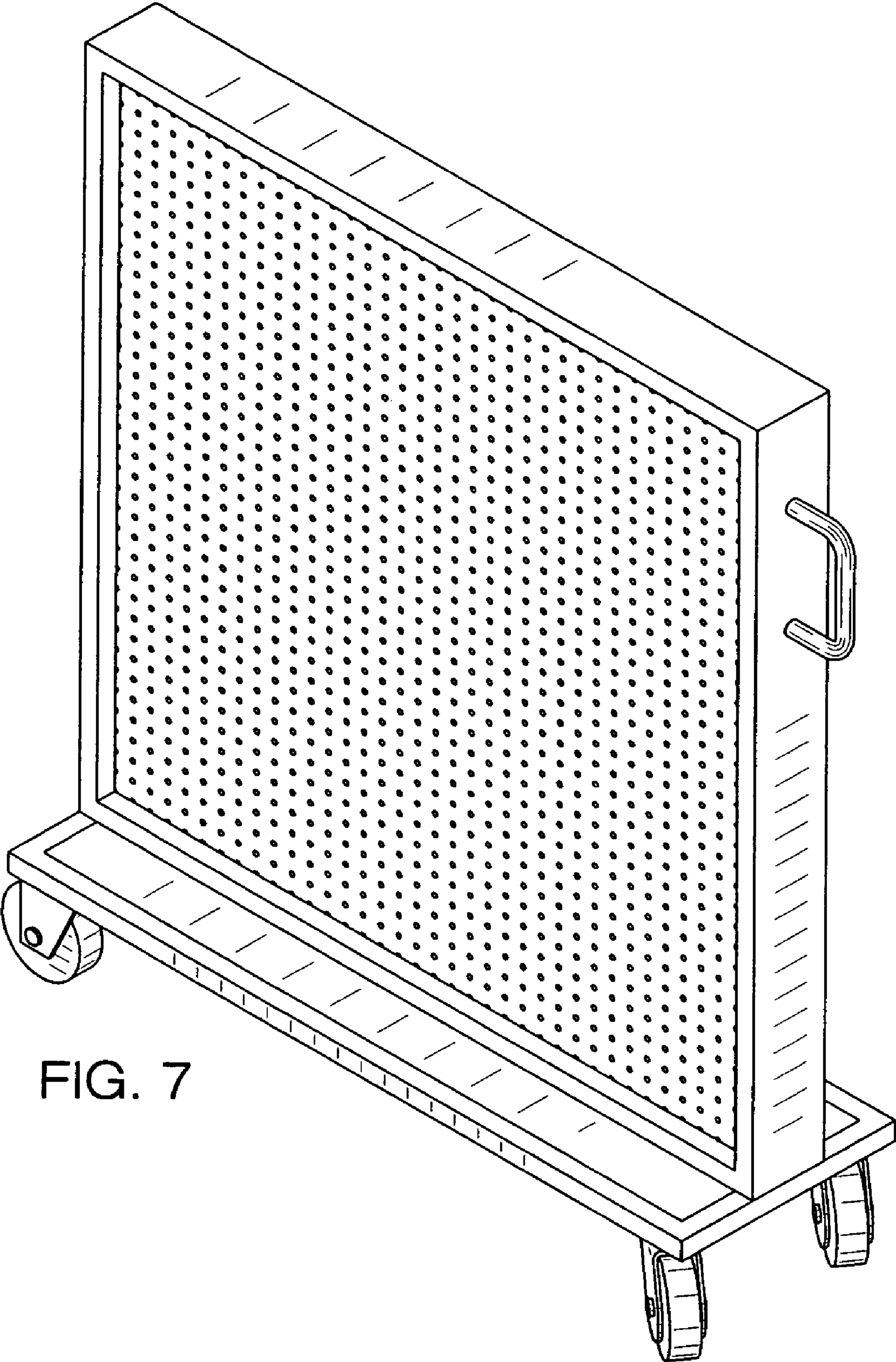


FIG. 7