



US00D582697S

(12) **United States Design Patent**
Goodman et al.

(10) **Patent No.:** **US D582,697 S**

(45) **Date of Patent:** **** Dec. 16, 2008**

(54) **OVER THE SELF ORGANIZER**

(75) Inventors: **Sheldon H. Goodman**, Solon, OH (US);
Kent W. Murphy, Wooster, OH (US)

(73) Assignee: **Spectrum Diversified Designs, Inc.**,
Streetsboro, OH (US)

(**) Term: **14 Years**

(21) Appl. No.: **29/250,321**

(22) Filed: **Nov. 10, 2006**

(51) **LOC (8) Cl.** **06-04**

(52) **U.S. Cl.** **D6/462**

(58) **Field of Classification Search** D6/449,
D6/455, 457, 470, 472, 475, 416, 417, 462,
D6/464-465, 474, 537, 562, 566, 567, 574,
D6/304-306, 468, 44, 436, 478, 467, 396,
D6/397, 479, 477, 466, 473, 463; 108/91-93,
108/107, 144.11, 149, 59, 161, 111, 2, 108;
248/156, 153, 235, 243; 312/107, 114, 117,
312/138.1, 204, 234; 52/165, 166; 211/59.4,
211/85.1, 135, 163, 69, 85.5, 85.2, 13.1,
211/153, 186-190, 194, 85.3, 86.01, 87.01,
211/90.01, 90.03, 134, 181.1; D3/10

See application file for complete search history.

(56) **References Cited**

U.S. PATENT DOCUMENTS

D231,178 S *	4/1974	Wright	D6/407
D297,489 S *	9/1988	Chap et al.	D7/601
D318,196 S *	7/1991	Sheng	D6/462
D329,954 S *	10/1992	Sharon et al.	D6/462
D334,493 S *	4/1993	Penar	D6/462

D367,382 S *	2/1996	Tseng	D6/462
D381,548 S *	7/1997	Goodman	D6/630
D403,909 S *	1/1999	Chen	D6/566
D412,630 S *	8/1999	Lowe	D6/462
D434,248 S *	11/2000	Krogh	D6/419
D442,392 S *	5/2001	Follman et al.	D6/467
D572,939 S *	7/2008	Murray	D6/462

* cited by examiner

Primary Examiner—Robert M Spear

Assistant Examiner—Katrina A Kile

(74) *Attorney, Agent, or Firm*—Pearne & Gordon LL

(57) **CLAIM**

The ornamental design for an over the shelf organizer, as shown and described.

DESCRIPTION

FIG. 1 is a perspective view of an over the shelf organizer showing our new design;

FIG. 2 is a top plan view thereof;

FIG. 3 is a side elevational view thereof;

FIG. 4 is a front elevational view thereof;

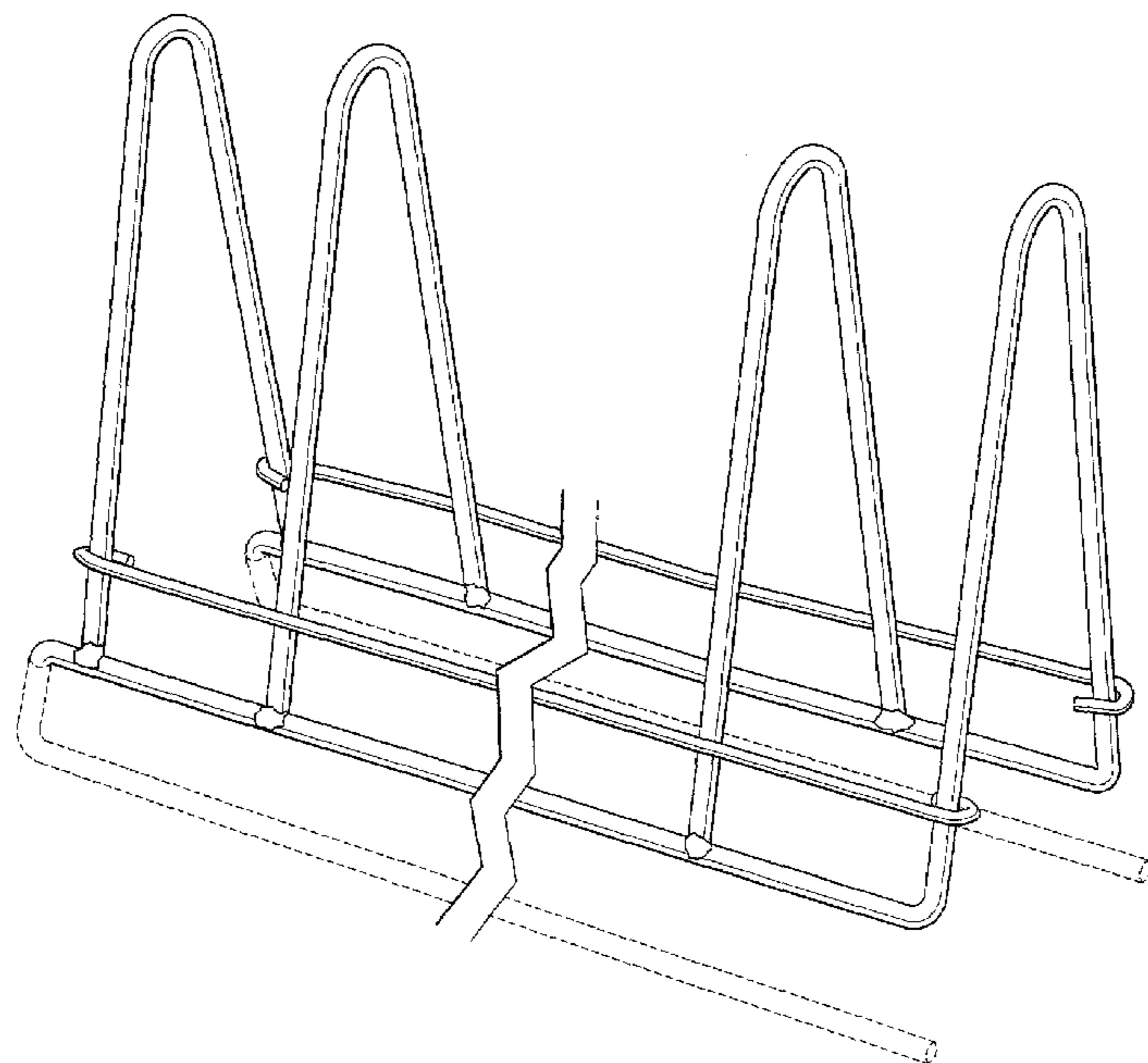
FIG. 5 is a rear elevational view thereof;

FIG. 6 is a bottom plan view thereof; and,

FIG. 7 is a perspective view of a second embodiment of an over the shelf organizer.

In FIG. 7 the over the shelf organizer is broken in the center to indicate that no particular length or number of V-shaped members is claimed. The broken lines show a lower support that forms no part of the claimed design.

1 Claim, 4 Drawing Sheets



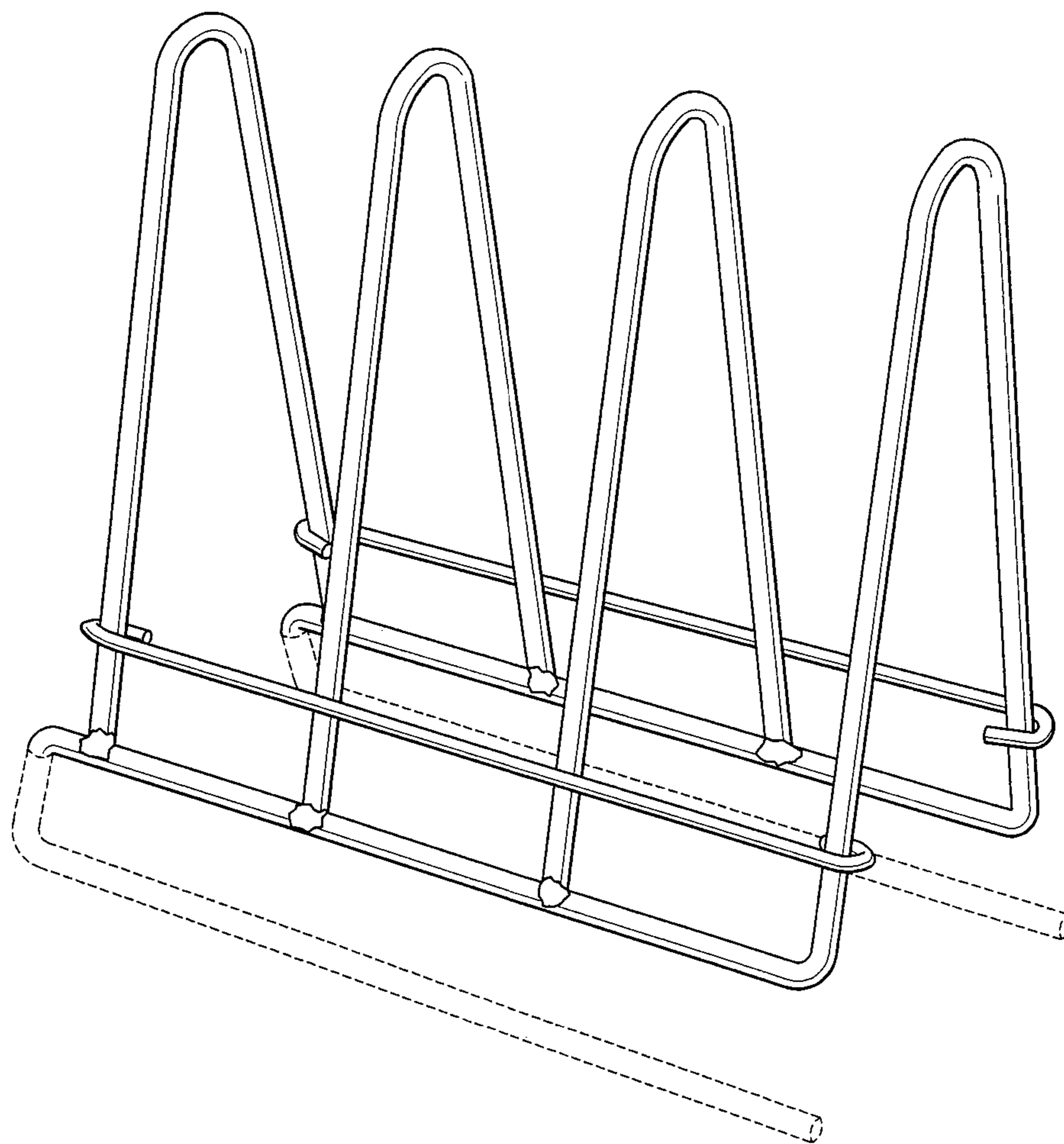


FIG. 1

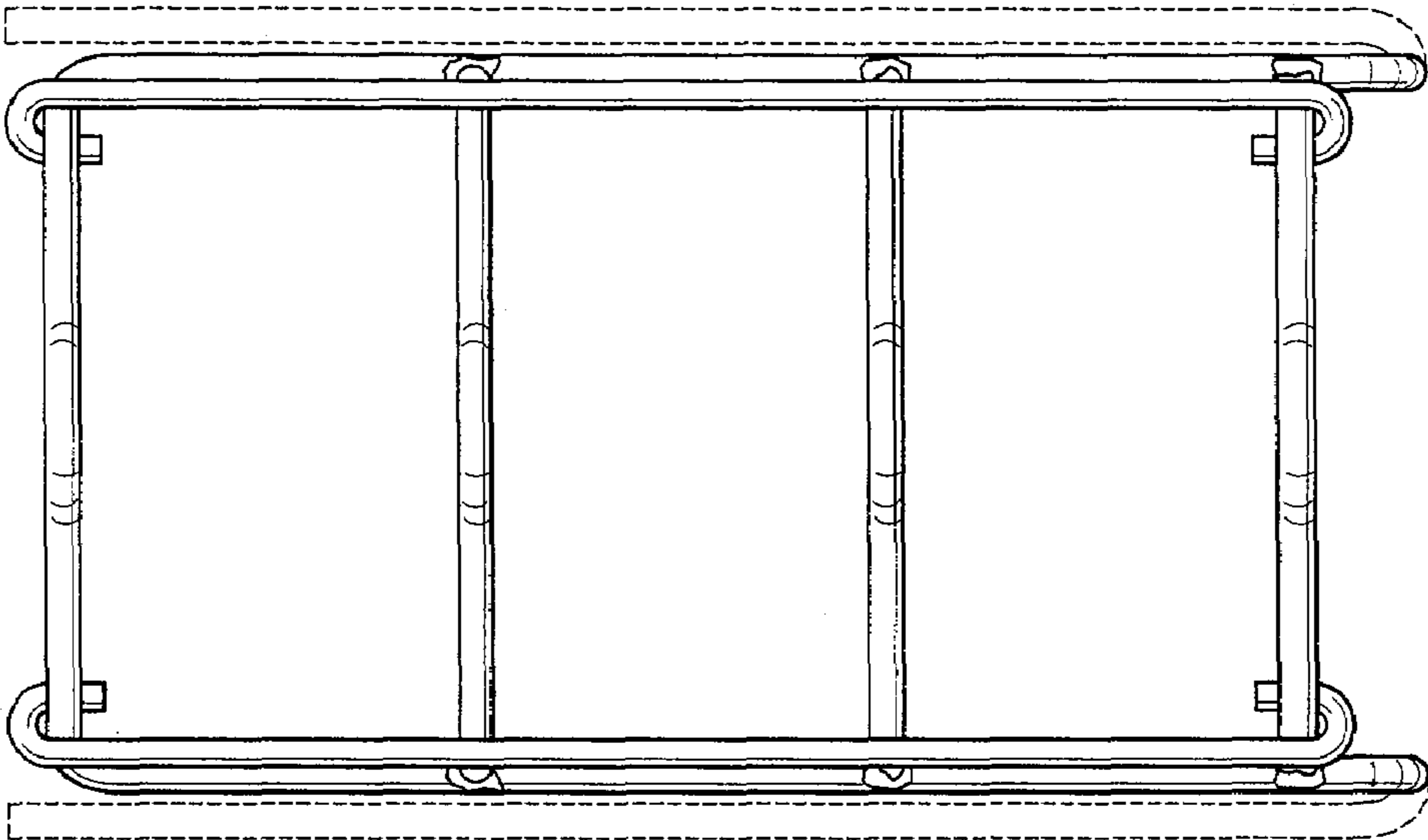


FIG. 2

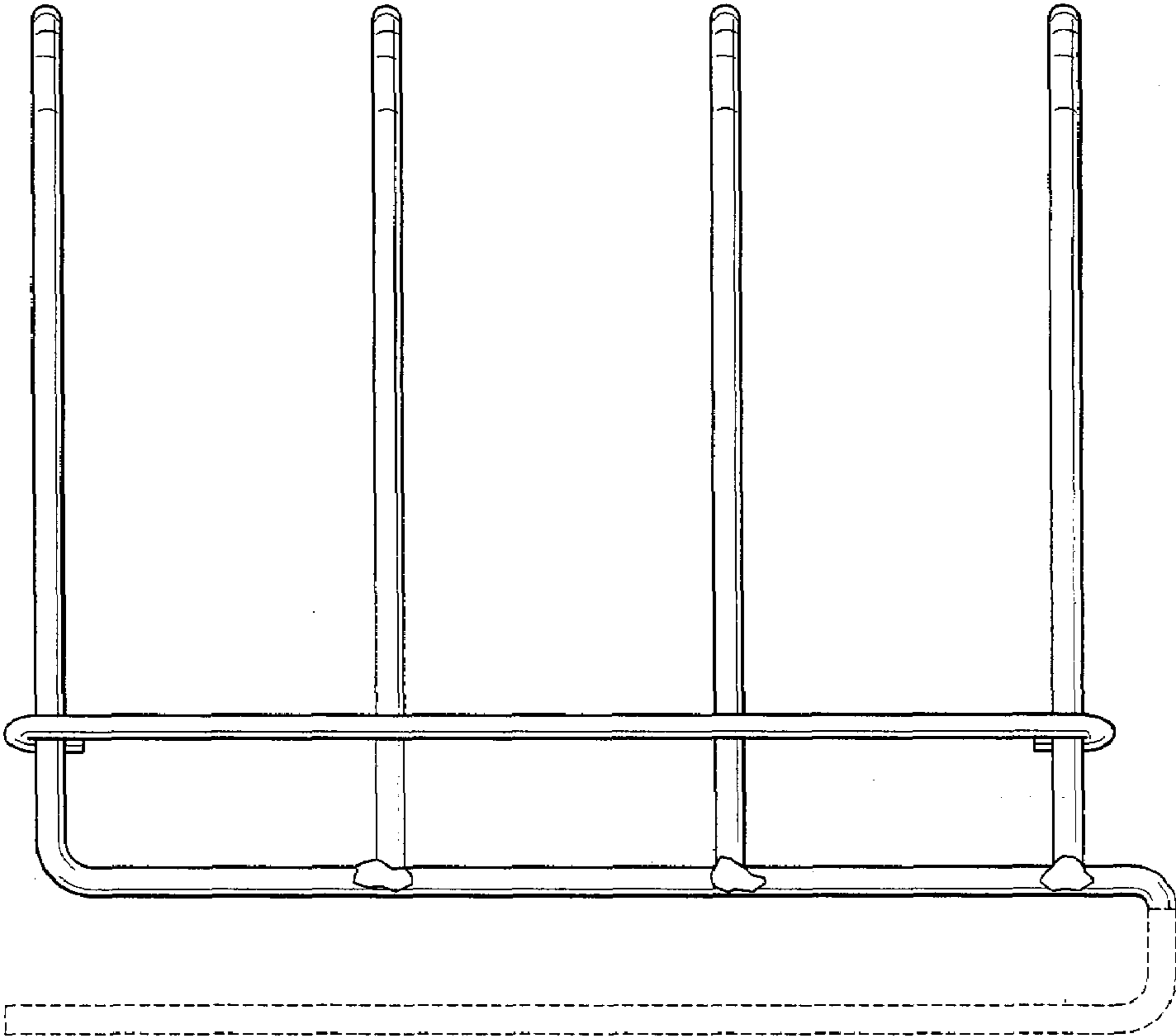


FIG. 3

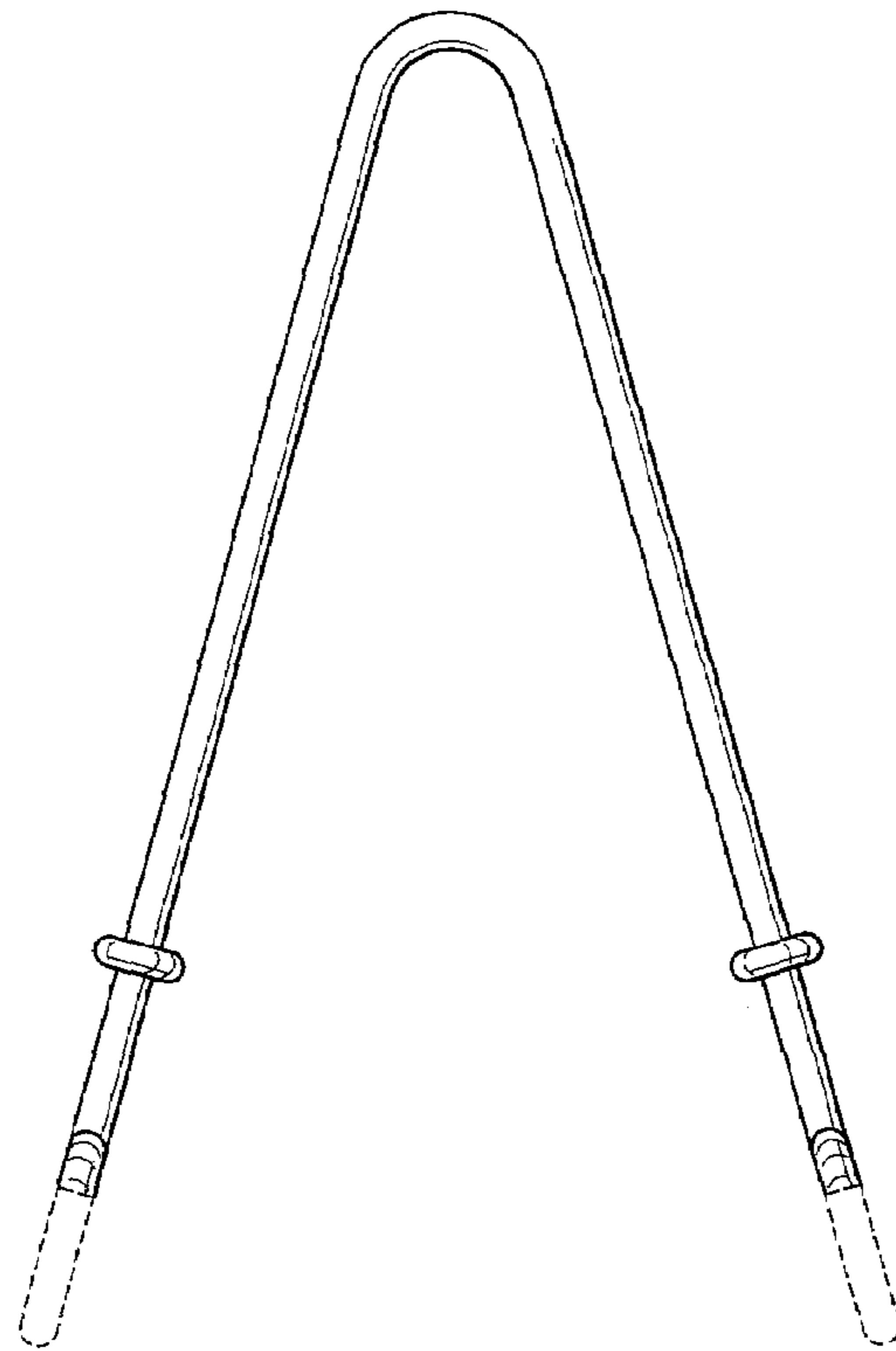


FIG. 4

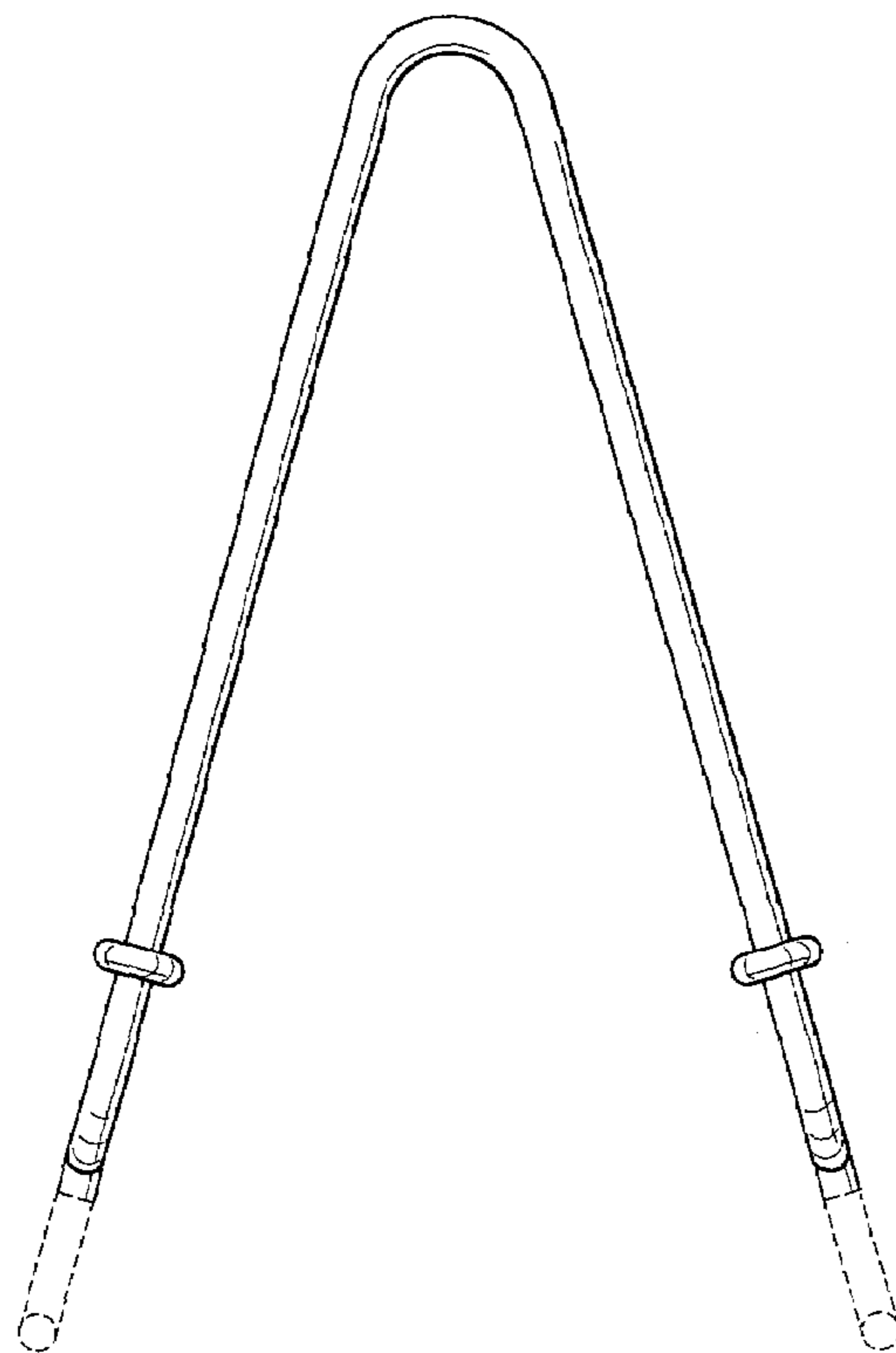


FIG. 5

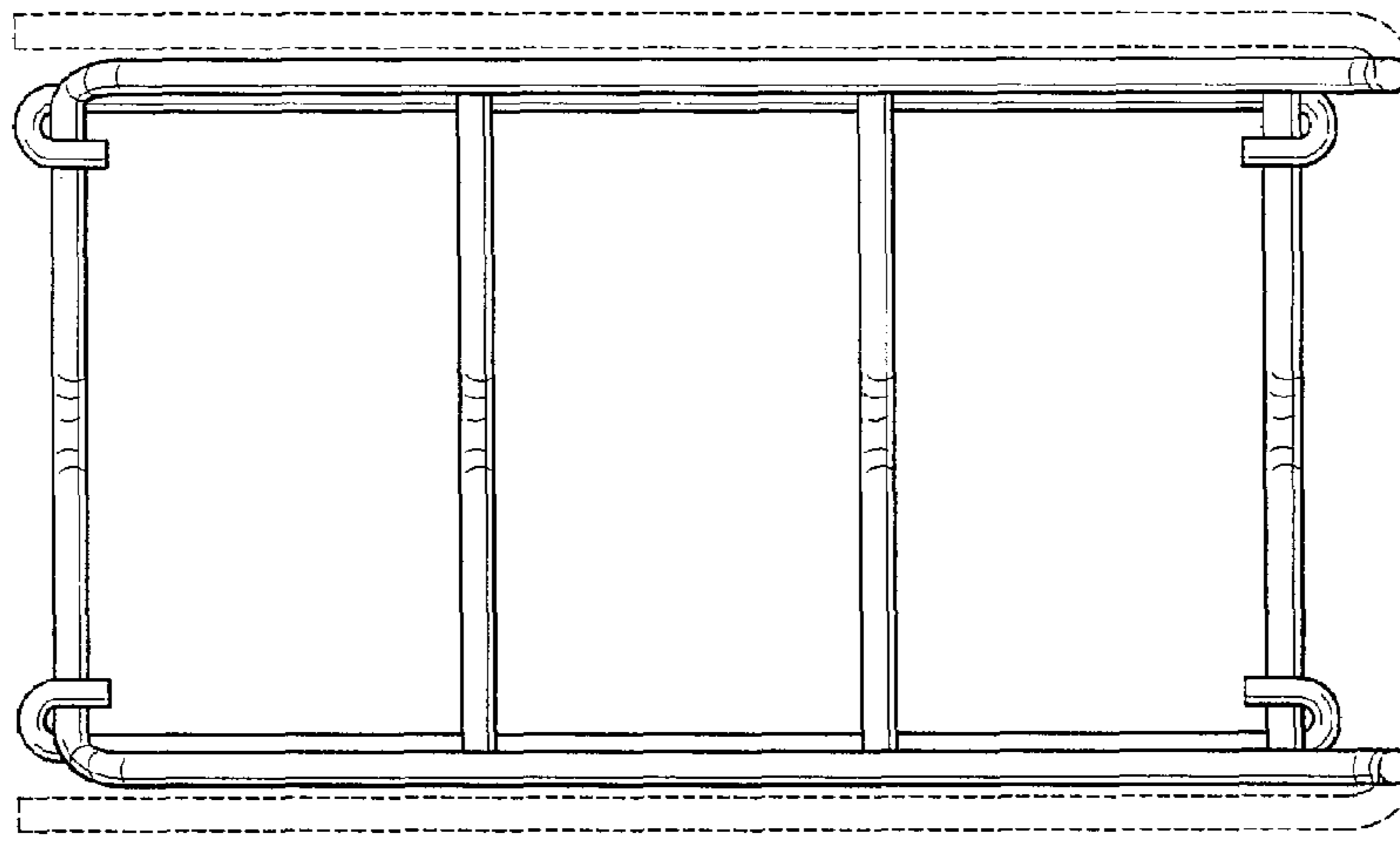


FIG. 6

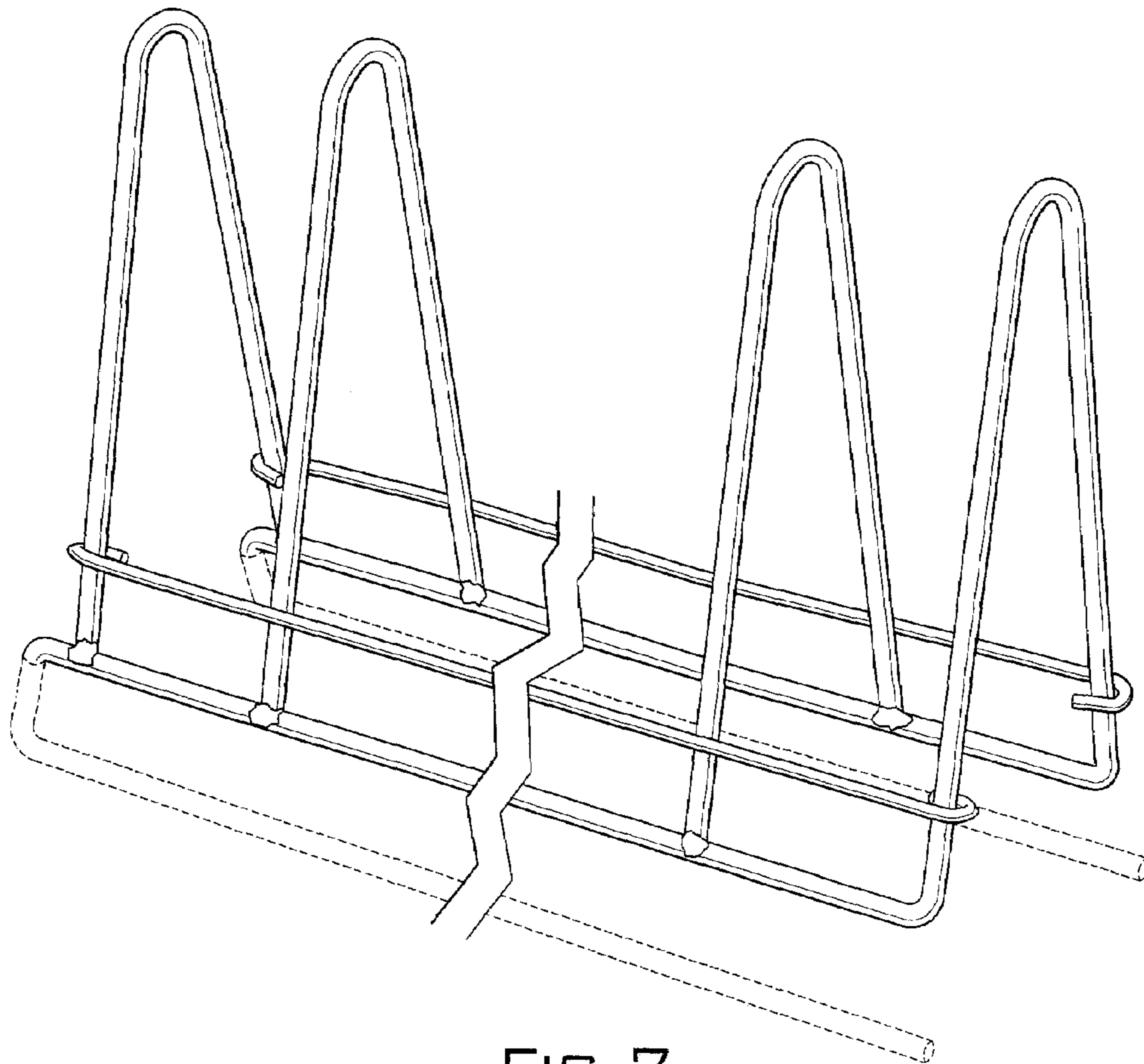


FIG. 7

UNITED STATES PATENT AND TRADEMARK OFFICE
CERTIFICATE OF CORRECTION

PATENT NO. : Des. 582,697 S
APPLICATION NO. : 29/250321
DATED : December 16, 2008
INVENTOR(S) : Sheldon H. Goodman et al.

Page 1 of 1

It is certified that error appears in the above-identified patent and that said Letters Patent is hereby corrected as shown below:

Title Page;

Page 1, Section (54) the title includes an error and should read:

--OVER THE SHELF ORGANIZER--.

Signed and Sealed this

Twenty-first Day of April, 2009



JOHN DOLL
Acting Director of the United States Patent and Trademark Office