



US00D582685S

(12) **United States Design Patent**
Bush

(10) **Patent No.:** **US D582,685 S**
(45) **Date of Patent:** **** Dec. 16, 2008**

- (54) **MIRROR ASSEMBLY**
- (75) Inventor: **Mary Jean Bush**, Santa Rosa Beach, FL (US)
- (73) Assignee: **Blue Ridge International Products Company**, Freesport, FL (US)
- (**) Term: **14 Years**
- (21) Appl. No.: **29/286,252**
- (22) Filed: **Apr. 27, 2007**
- (51) **LOC (8) Cl.** **06-07**
- (52) **U.S. Cl.** **D6/300**
- (58) **Field of Classification Search** D6/300-314; D14/371; D16/241; 5/93.1; D19/90; 359/871, 359/872, 877; 446/356, 227
See application file for complete search history.

- 6,120,155 A 9/2000 Brennan et al.
- 6,183,335 B1 2/2001 Petersen
- 6,305,810 B1 10/2001 Mercado
- 6,319,087 B1 11/2001 Ferrigno
- 6,354,708 B1 3/2002 Monahan et al.
- D461,504 S * 8/2002 Kagel D19/90
- 6,478,435 B2 11/2002 Monahan et al.
- 6,491,403 B2 12/2002 Edgar
- 6,554,437 B2 4/2003 von Glasow
- 6,585,384 B2 7/2003 Nielsen et al.
- 6,736,694 B2 5/2004 Hornsby et al.
- 6,857,753 B2 2/2005 Kane
- D503,285 S * 3/2005 Chen et al. D6/300
- 6,913,364 B2 7/2005 Kane
- 7,097,314 B1 8/2006 Darling
- 7,104,661 B2 9/2006 Kane et al.
- D550,270 S * 9/2007 Astill D16/241
- 2007/0061961 A1 * 3/2007 Shamie 5/93.1

* cited by examiner

Primary Examiner—Caron Veynar
Assistant Examiner—Sydney R Buffalow
(74) *Attorney, Agent, or Firm*—Carter & Schmedler, P.A.

(56) **References Cited**

U.S. PATENT DOCUMENTS

- 3,038,060 A 6/1962 Diehl
- 3,973,834 A 8/1976 Penn et al.
- 4,712,892 A 12/1987 Masucci
- 4,745,397 A 5/1988 Lagerbauer et al.
- 4,746,919 A 5/1988 Reitmeier
- 4,902,118 A 2/1990 Harris
- 4,909,618 A 3/1990 Gardner
- 4,973,286 A 11/1990 Davison
- 4,978,207 A 12/1990 Gillner et al.
- 4,984,380 A 1/1991 Anderson
- 5,032,099 A 7/1991 Chan
- 5,188,421 A 2/1993 Arseneault
- 5,228,879 A 7/1993 Fromm
- 5,310,377 A 5/1994 Joja
- 5,453,915 A 9/1995 Bradley, III
- 5,668,526 A 9/1997 Collins
- 6,030,085 A 2/2000 Leam et al.
- 6,039,455 A 3/2000 Sorenson
- 6,084,527 A 7/2000 Spector
- 6,113,454 A 9/2000 Mitchell
- 6,116,983 A 9/2000 Long et al.

(57) **CLAIM**

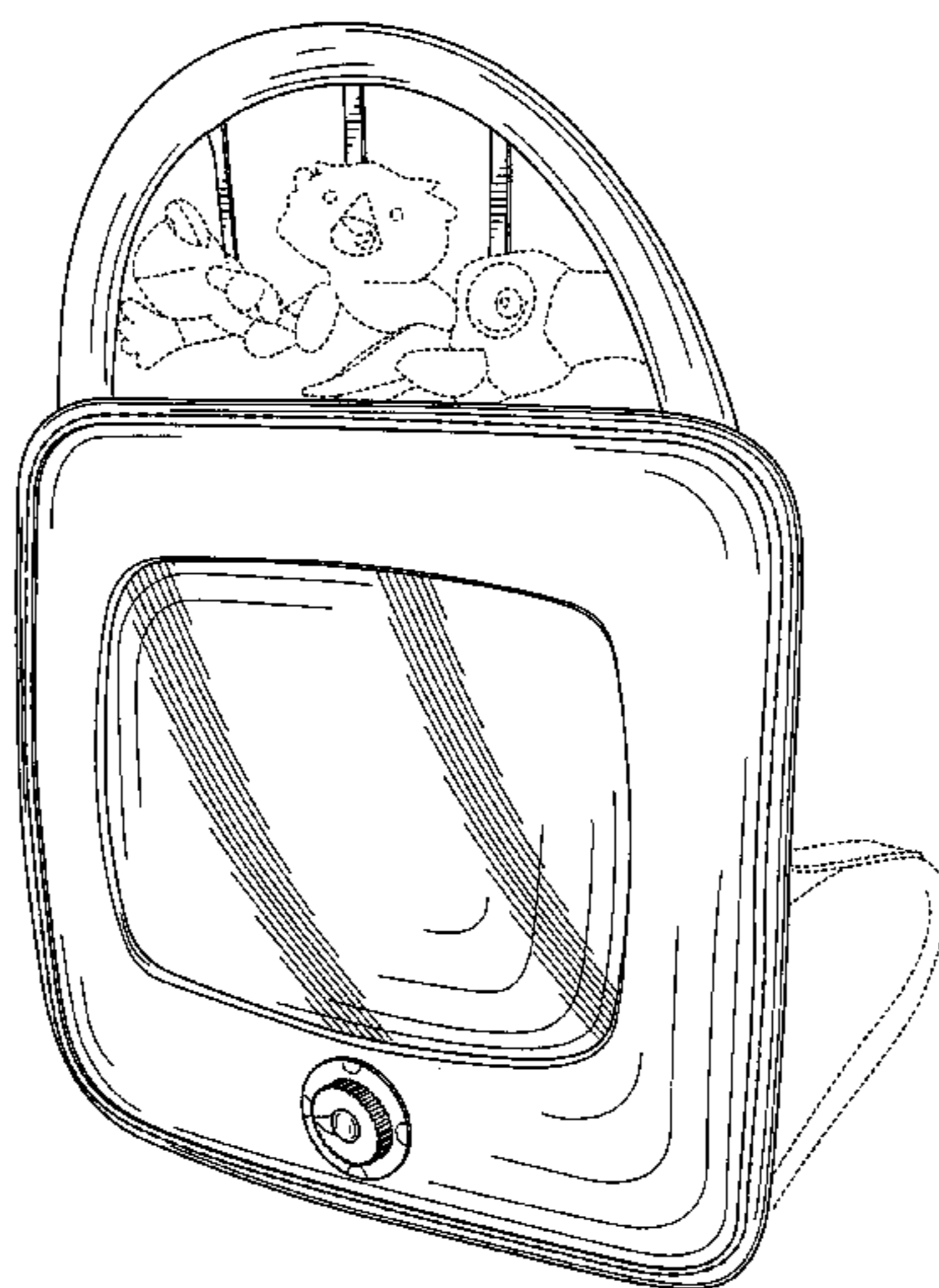
The ornamental design for a mirror assembly, as shown and described.

DESCRIPTION

FIG. 1 is a perspective view of a mirror assembly in accordance with my new design;
FIG. 2 is a front elevational view thereof;
FIG. 3 is a rear elevational view thereof;
FIG. 4 is a right elevational view thereof;
FIG. 5 is a left elevational view thereof;
FIG. 6 is a top plan view thereof; and,
FIG. 7 is a bottom plan view thereof.

The broken lines are for the illustrative purposes only and form no part of the claimed design.

1 Claim, 7 Drawing Sheets



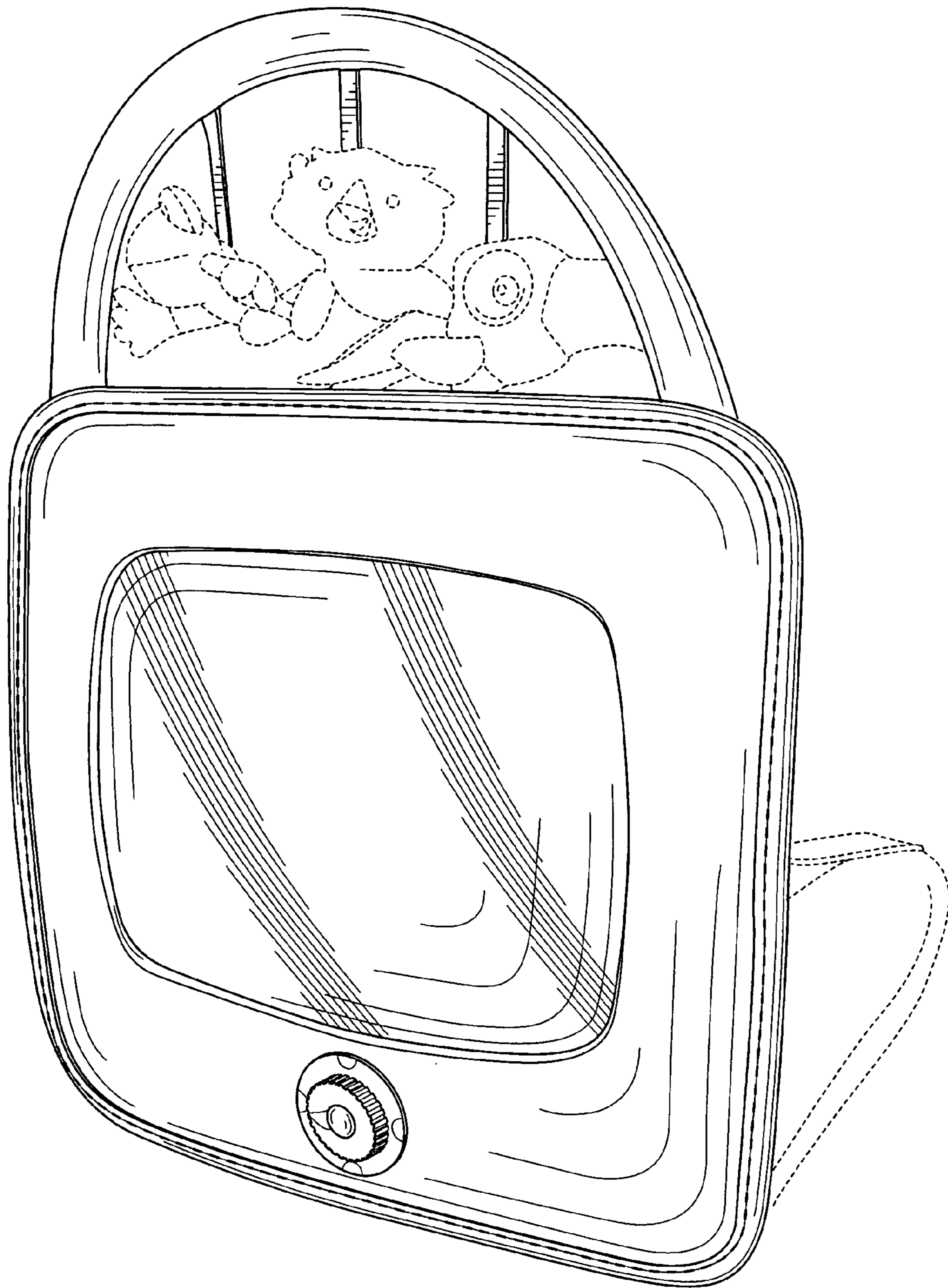


FIG. 1

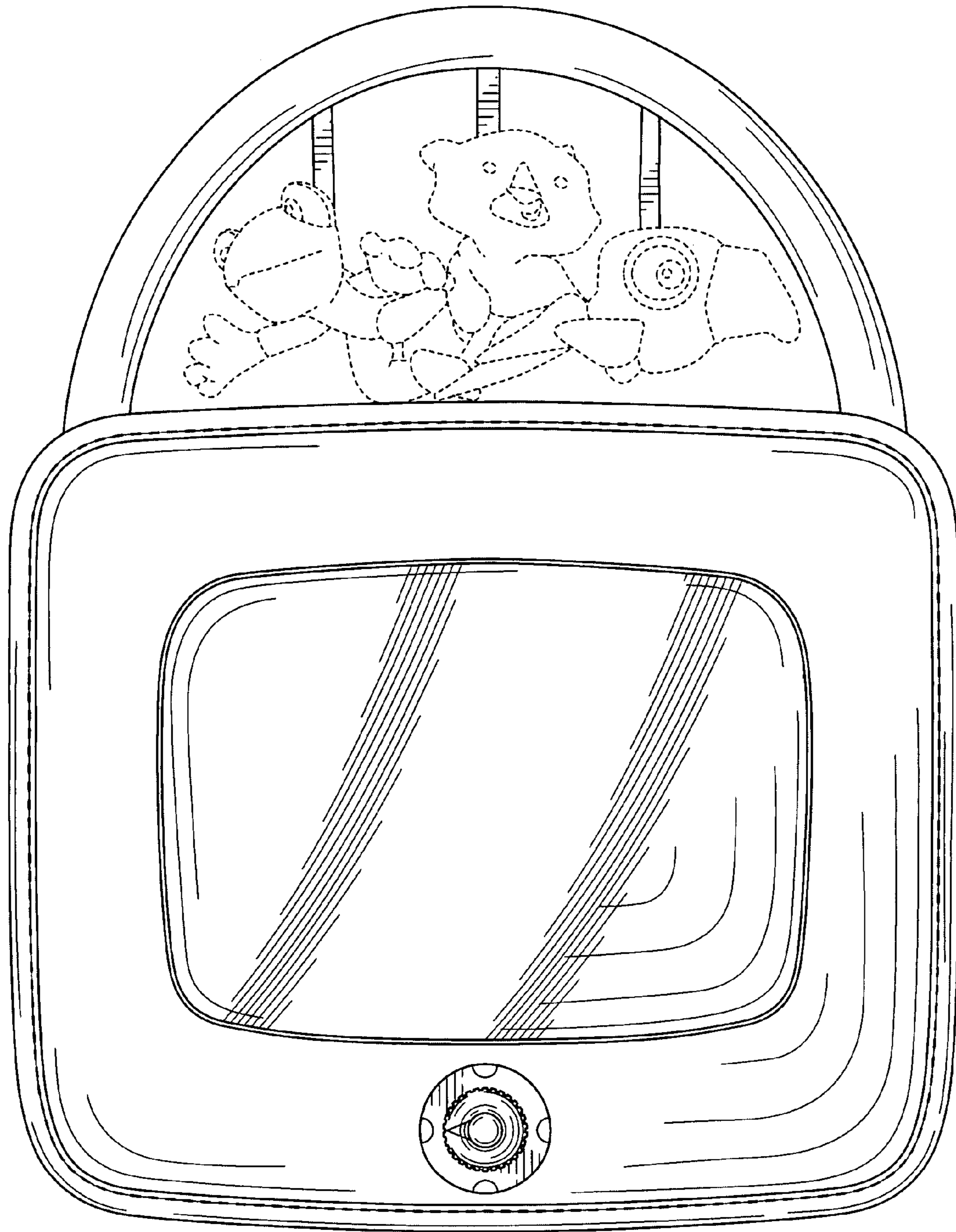


FIG. 2

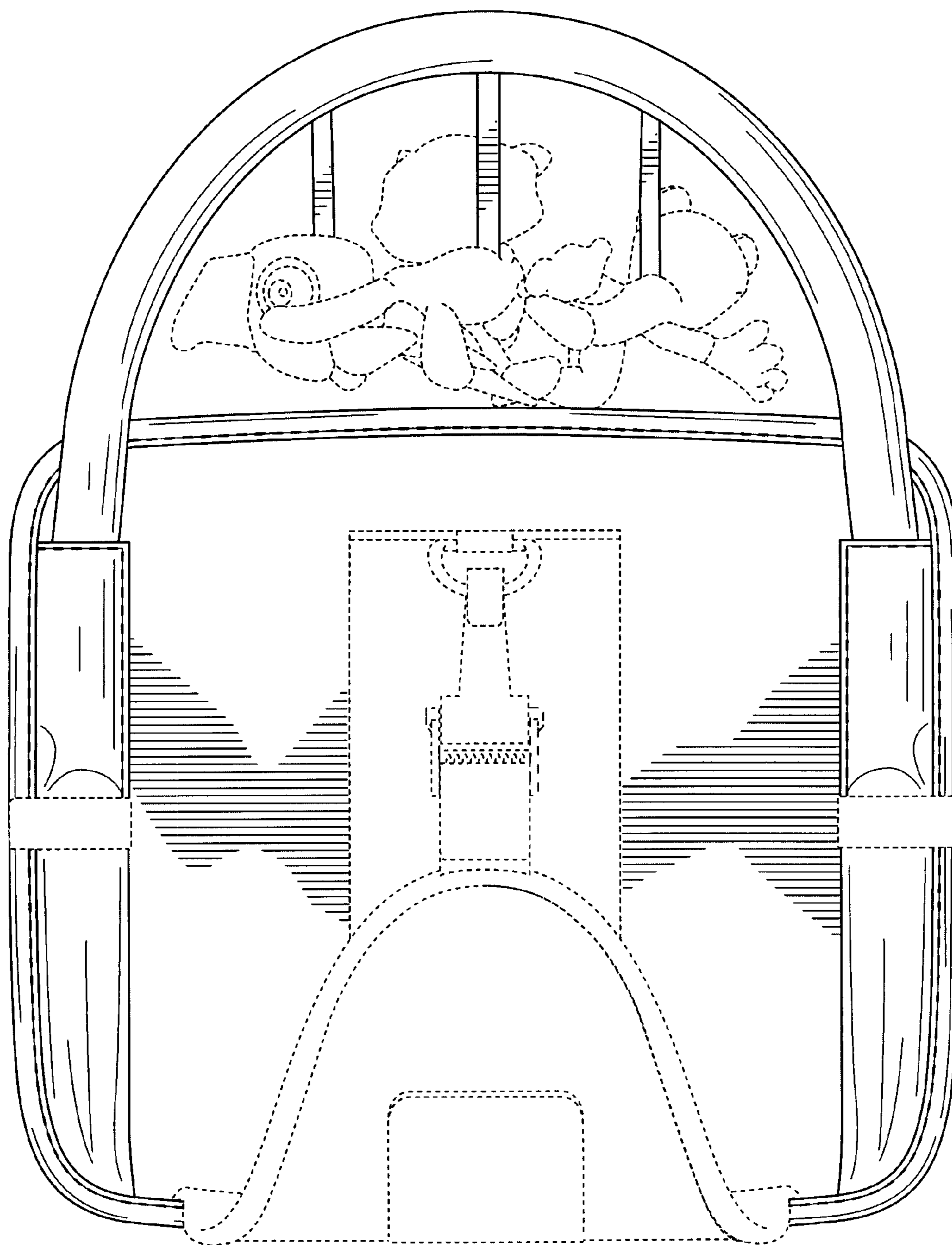


FIG. 3

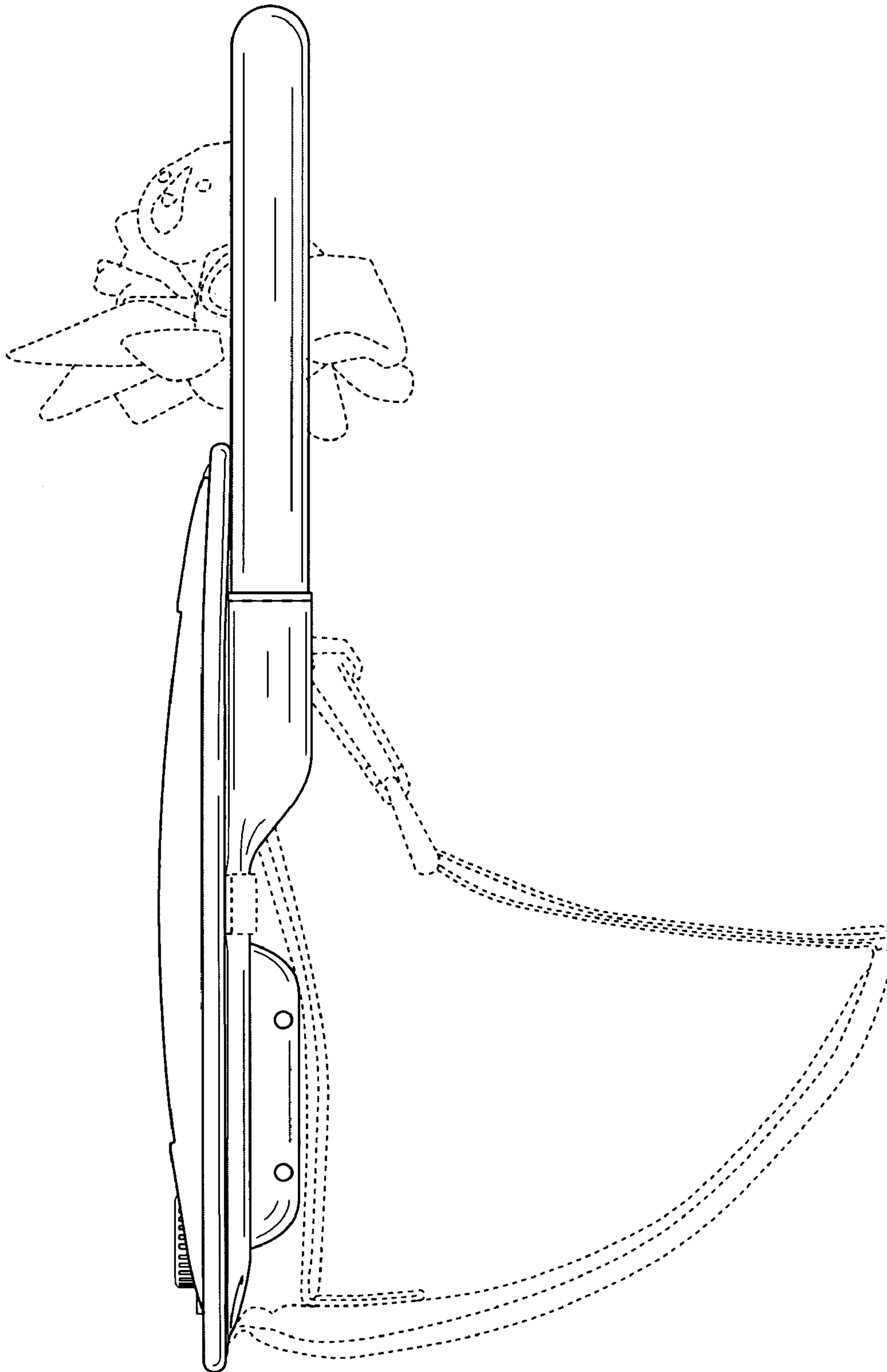


FIG. 4

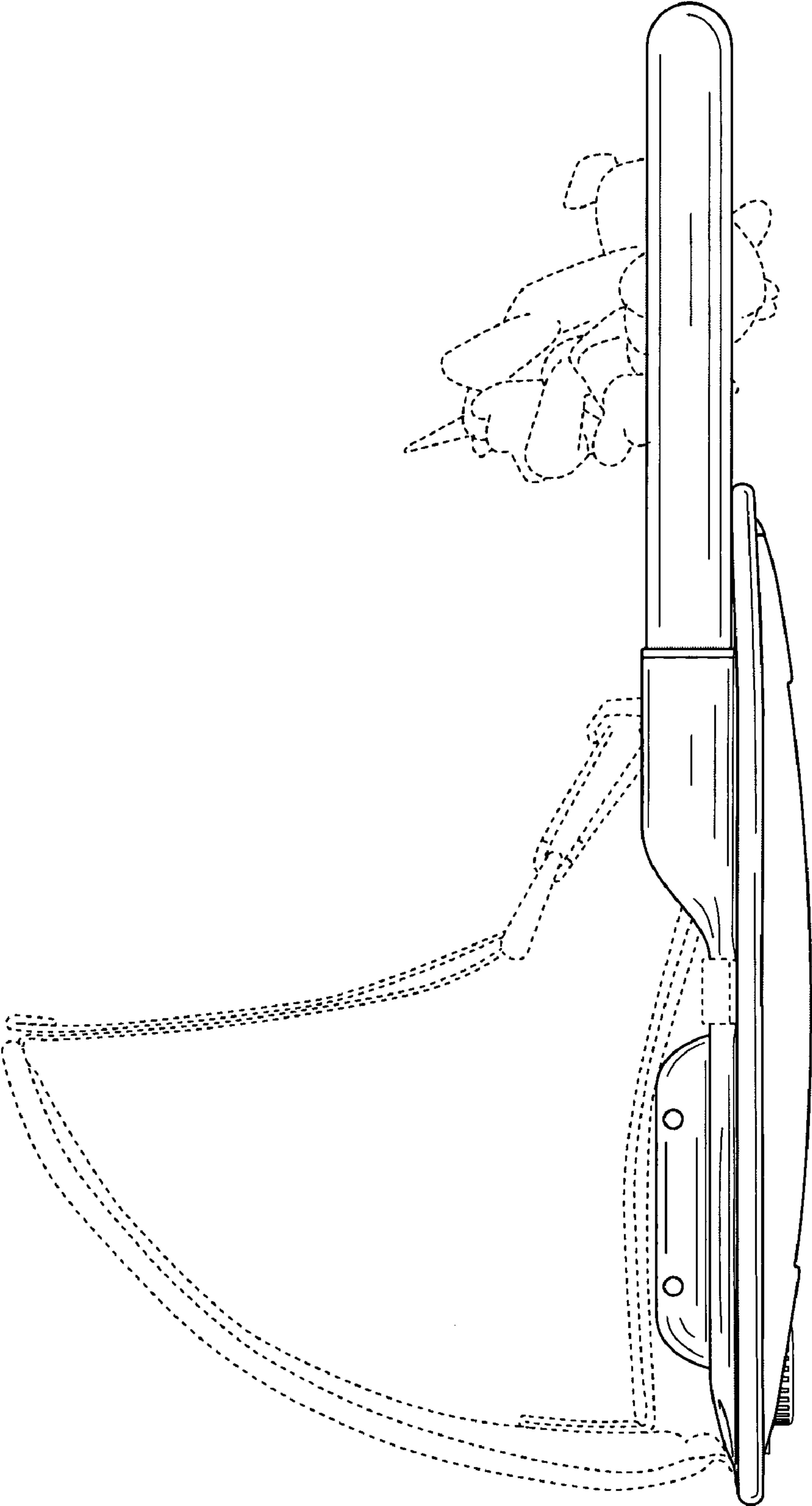


FIG. 5

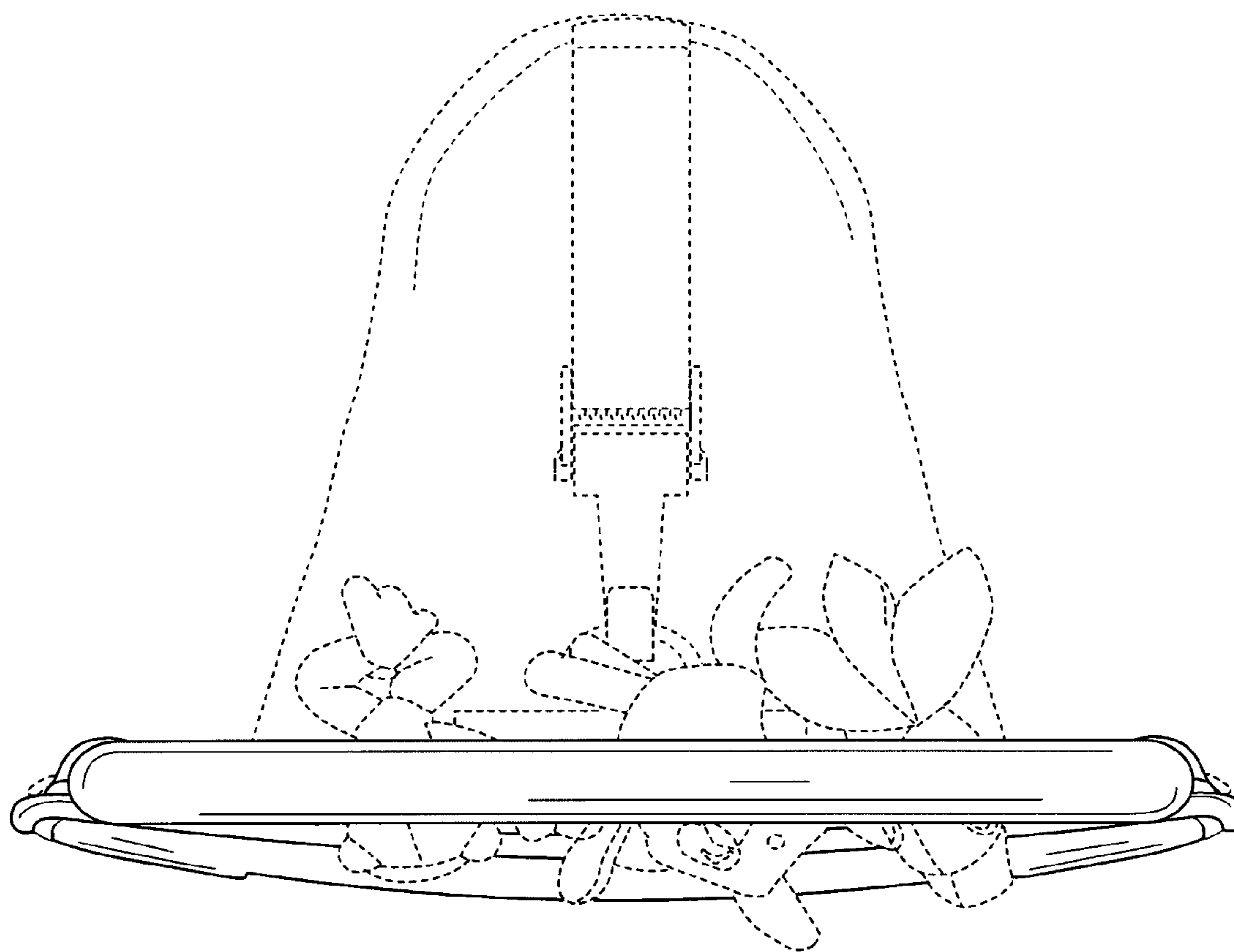


FIG. 6

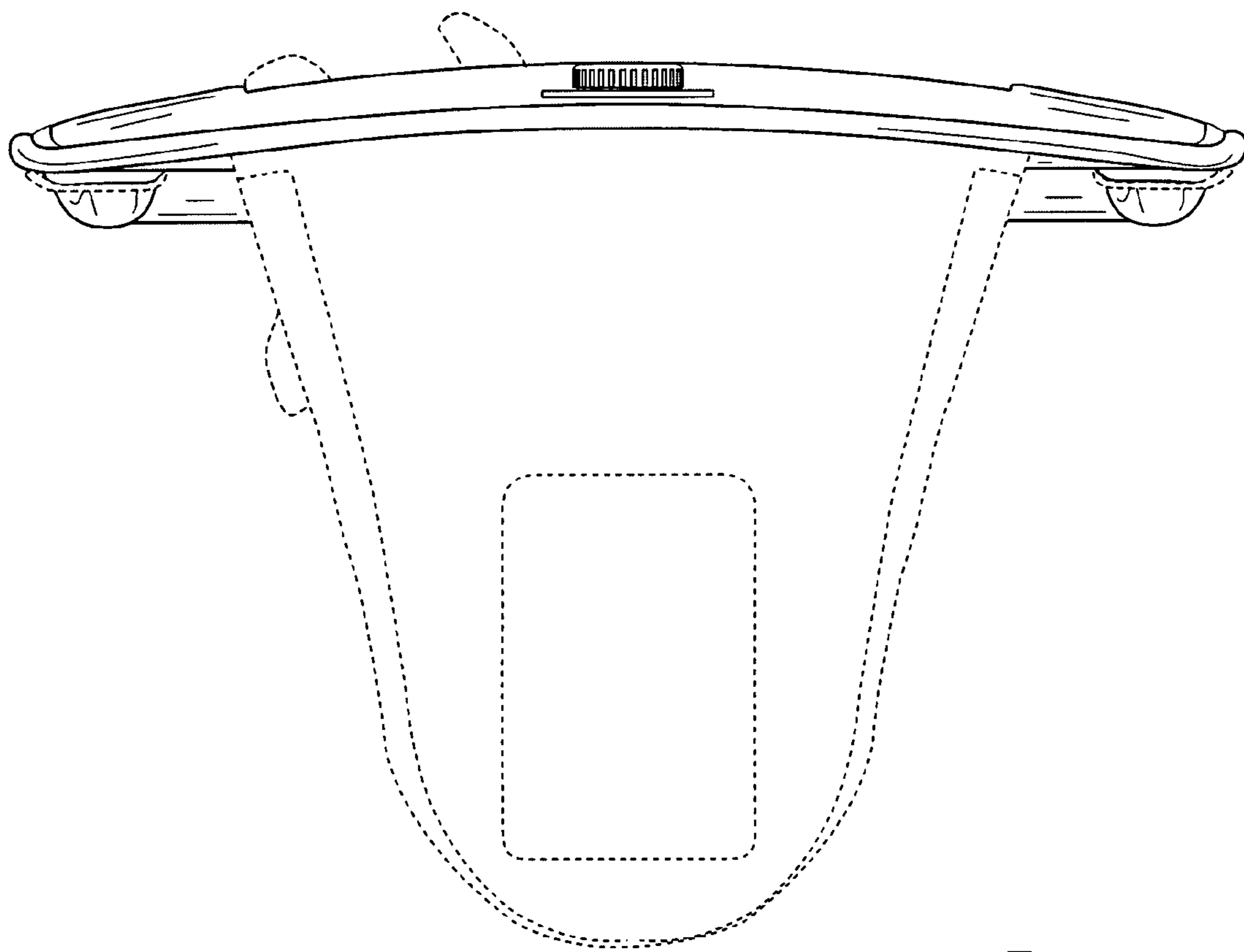


FIG. 7