



US00D582683S

(12) **United States Design Patent**
Madgett

(10) **Patent No.:** **US D582,683 S**

(45) **Date of Patent:** **** Dec. 16, 2008**

(54) **PAINTING DEVICE**

(76) Inventor: **Blake Madgett**, 6409 Maclaren Ave.,
NE., Otsego, MN (US) 55301

(**) Term: **14 Years**

(21) Appl. No.: **29/319,921**

(22) Filed: **Jun. 17, 2008**

(51) **LOC (8) Cl.** **04-04**

(52) **U.S. Cl.** **D4/121; D4/137; D28/63**

(58) **Field of Classification Search** D4/121,
D4/134, 137, 138; D32/51; 15/104.93, 104.94,
15/143.1, 166, 176.1, 176.4, 208, 209.1,
15/210.1, 219, 220.1, 244.1, 244.3, 244.4;
D28/7, 63; 401/6; 601/137, 138
See application file for complete search history.

(56) **References Cited**

U.S. PATENT DOCUMENTS

- 2,985,902 A * 5/1961 Sopocy 15/166
- 3,611,469 A * 10/1971 Belli 15/118
- 5,331,710 A * 7/1994 Tollasepp 15/210.1
- D381,148 S * 7/1997 McCall D32/40
- 5,809,607 A * 9/1998 Elson et al. 15/231
- 2004/0158949 A1 * 8/2004 Booth et al. 15/210.1

FOREIGN PATENT DOCUMENTS

GB 1181230 A * 2/1970

OTHER PUBLICATIONS

DE 202004012181 U1 (C. A. J. Lehnartz GmbH) May 4, 2005
(abstract) Derwent Information Ltd. [retrieved on Aug. 3, 2008].

Retrieved from the Derwent Database in East. Accession No. 2005-368458.*

* cited by examiner

Primary Examiner—Melanie Tung
Assistant Examiner—Lavone D Tabor

(74) *Attorney, Agent, or Firm*—Patterson, Thunte, Skaar & Christensen, P.A.

(57) **CLAIM**

The ornamental design for a painting device, as shown.

DESCRIPTION

FIG. 1 is a perspective view of a painting device according to the invention;

FIG. 2 is a front elevation view of the painting device depicted in FIG. 1;

FIG. 3 is a rear elevation view of the painting device depicted in FIG. 1.

FIG. 4 is a side elevation view of the painting device depicted in FIG. 1;

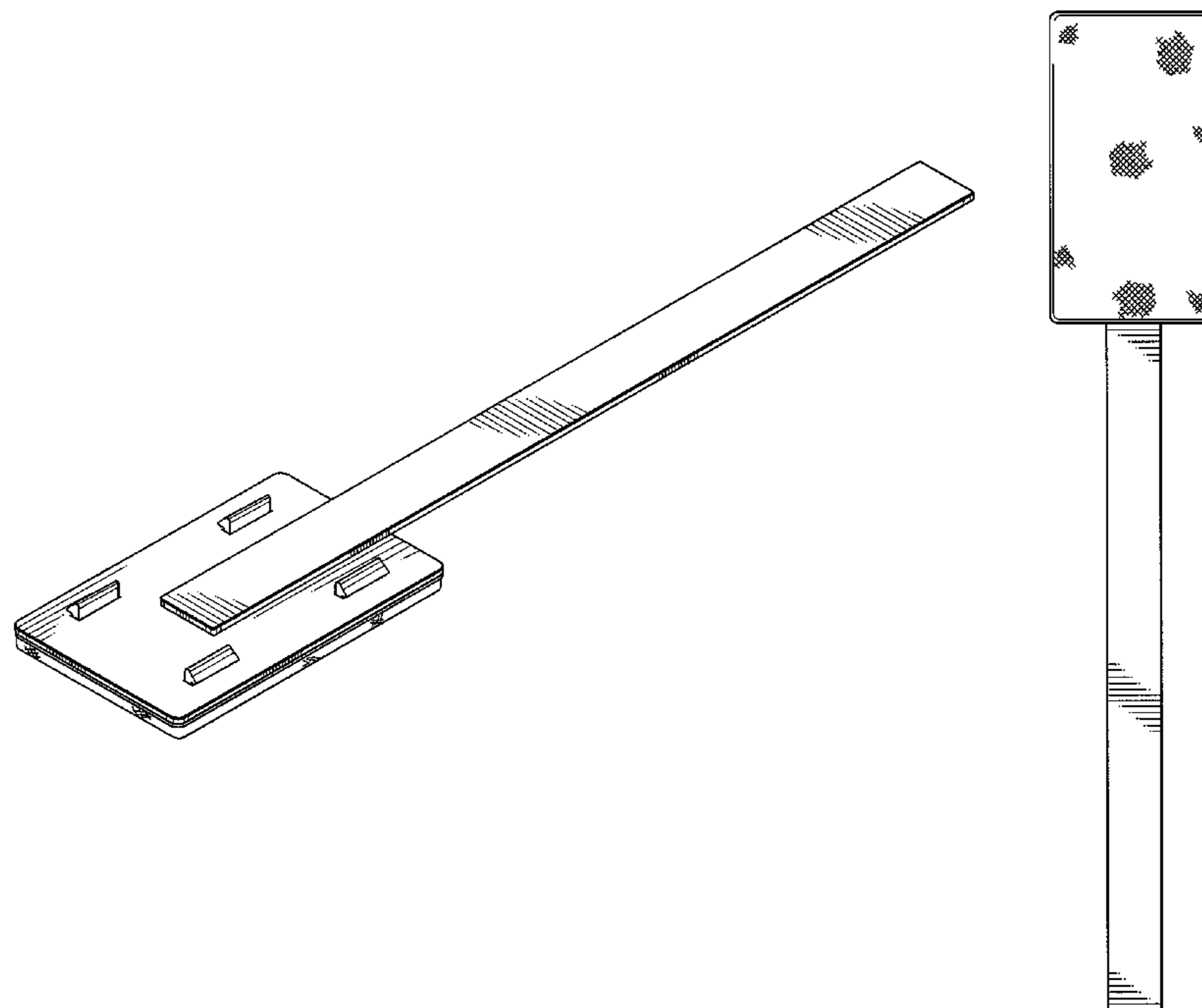
FIG. 5 is an opposing side elevation view of the painting device depicted in FIG. 1;

FIG. 6 is a bottom plan view of the painting device depicted in FIG. 1;

FIG. 7 is a top plan view of the painting device depicted in FIG. 1; and,

FIG. 8 is an exploded perspective view of the painting device depicted in FIG. 1.

1 Claim, 4 Drawing Sheets



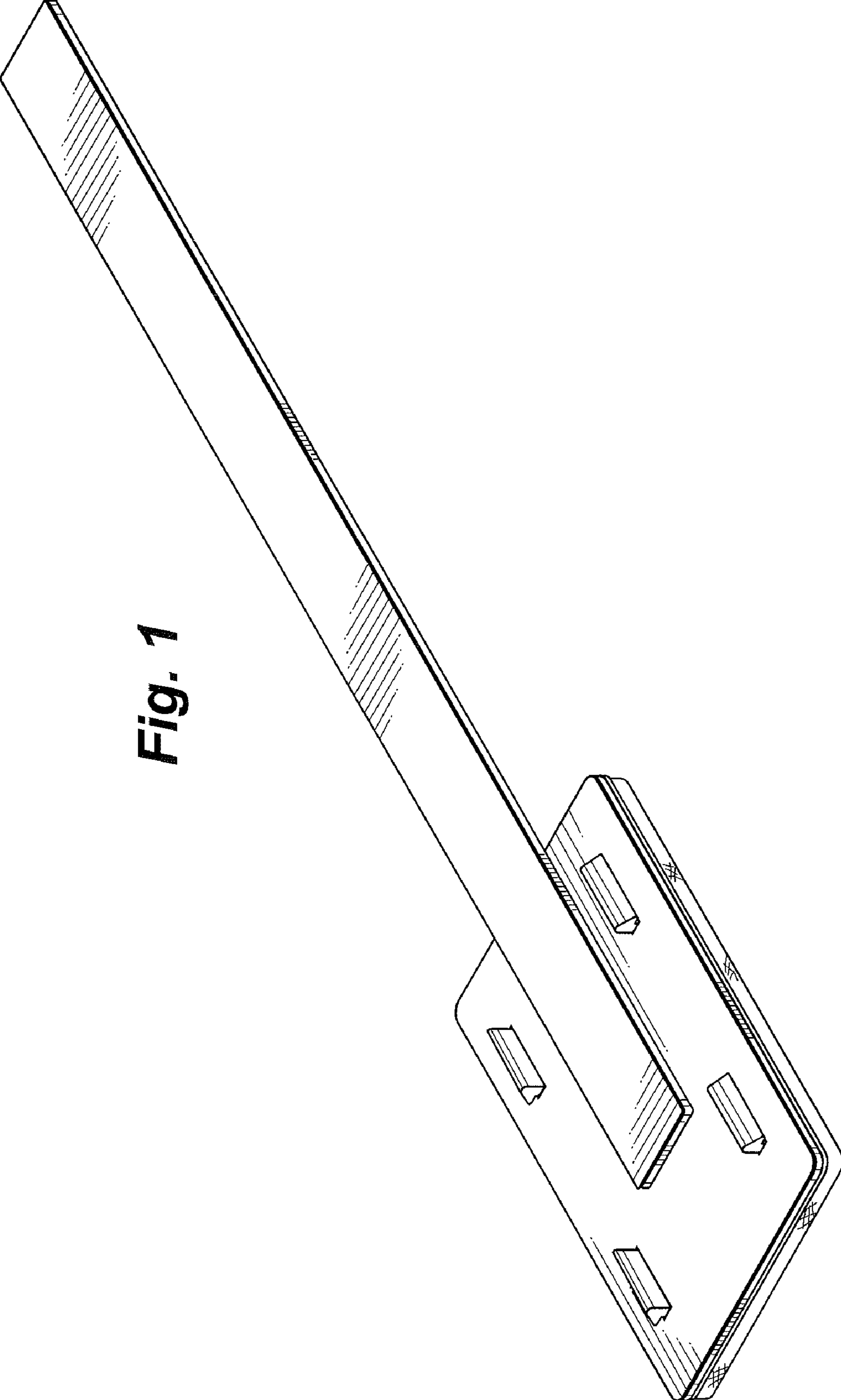


Fig. 1

Fig. 2

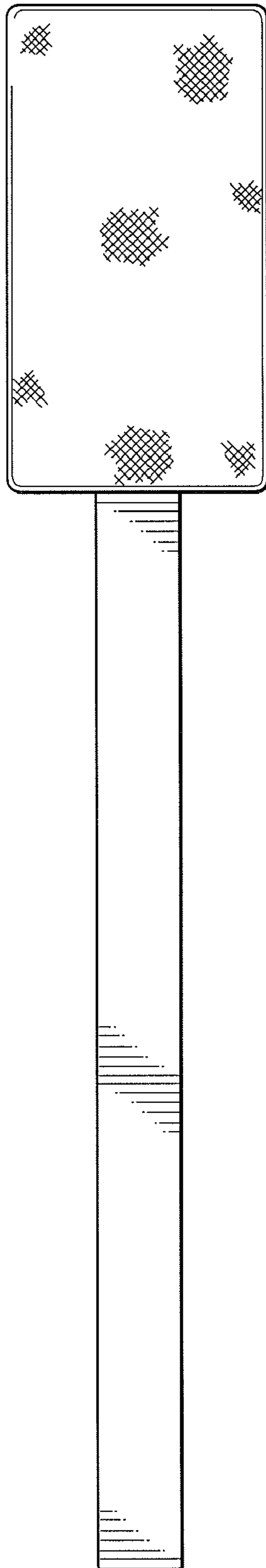


Fig. 3

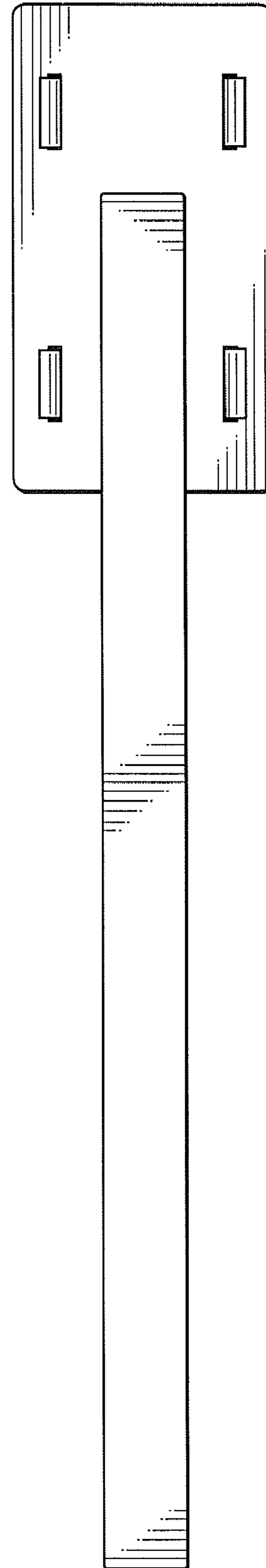


Fig. 4



Fig. 5

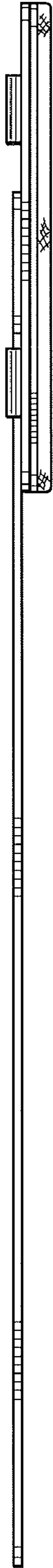


Fig. 6



Fig. 7



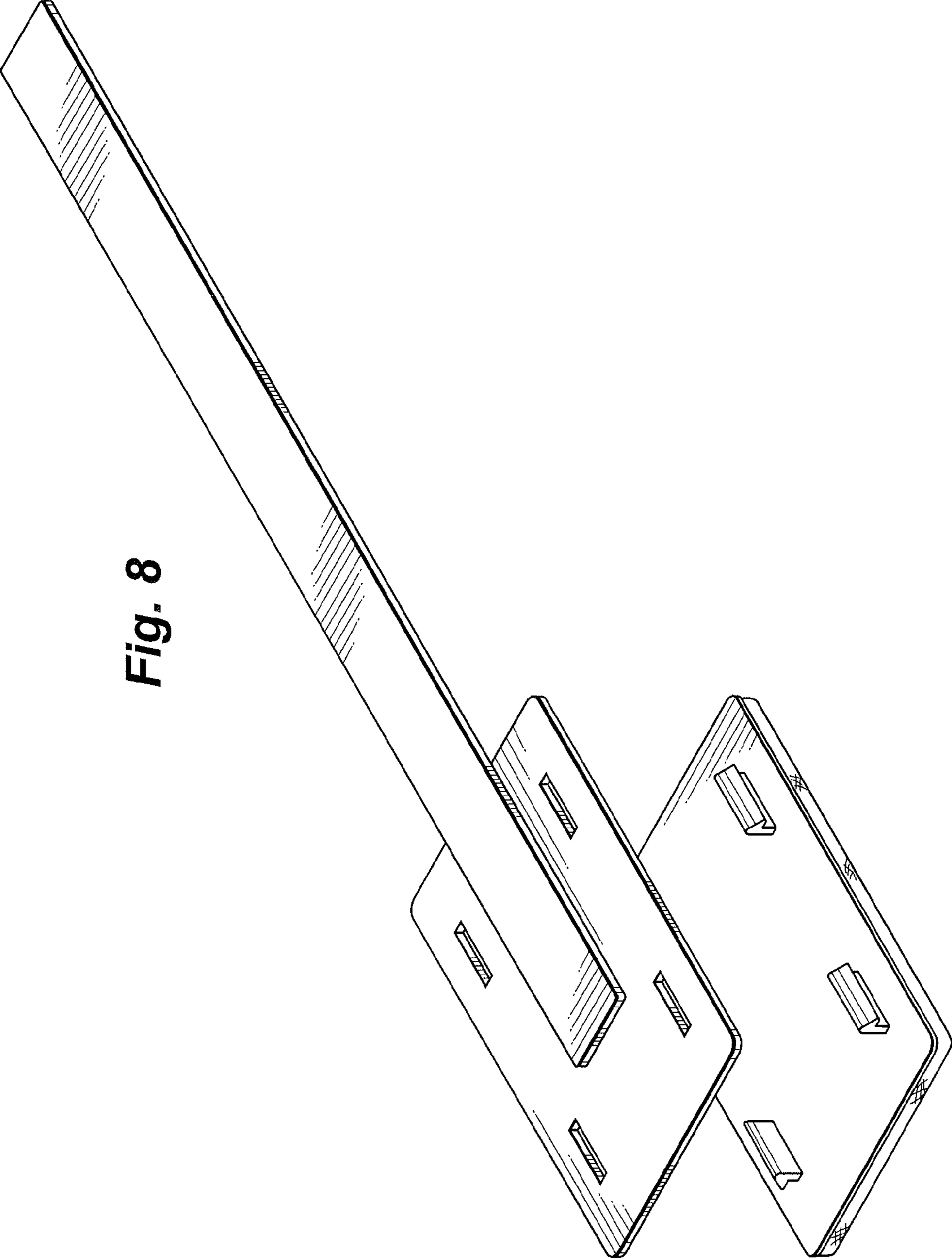


Fig. 8