



US00D582679S

(12) **United States Design Patent**
Gonzalez

(10) **Patent No.:** **US D582,679 S**

(45) **Date of Patent:** **** Dec. 16, 2008**

(54) **HANDBAG**

(75) Inventor: **Alvaro Gonzalez**, Florence (IT)

(73) Assignee: **J. Choo Limited**, London (GB)

(**) Term: **14 Years**

(21) Appl. No.: **29/301,313**

(22) Filed: **Feb. 22, 2008**

(30) **Foreign Application Priority Data**

Aug. 23, 2007 (EM) 000779640-0004

(51) **LOC (8) Cl.** **03-01**

(52) **U.S. Cl.** **D3/318**

(58) **Field of Classification Search** D3/232,
D3/240-246, 318, 322, 324; 150/100, 103-104,
150/107-110, 114, 118-119

See application file for complete search history.

(56) **References Cited**

U.S. PATENT DOCUMENTS

D137,864 S 5/1944 Jolles
D506,615 S * 6/2005 Alves et al. D3/322

OTHER PUBLICATIONS

Cecile Mop, J. Choo Limited, undated photograph, first disclosed Jul. 12, 2007.

Cloude, J. Choo Limited, undated photograph, first disclosed Jul. 12, 2007.

* cited by examiner

Primary Examiner—Holly H Baynham

(74) *Attorney, Agent, or Firm*—Fross Zelnick Lehrman & Zissu, P.C.; Lawrence E. Apolzon, Esq.

(57) **CLAIM**

The ornamental design for a handbag, as shown and described.

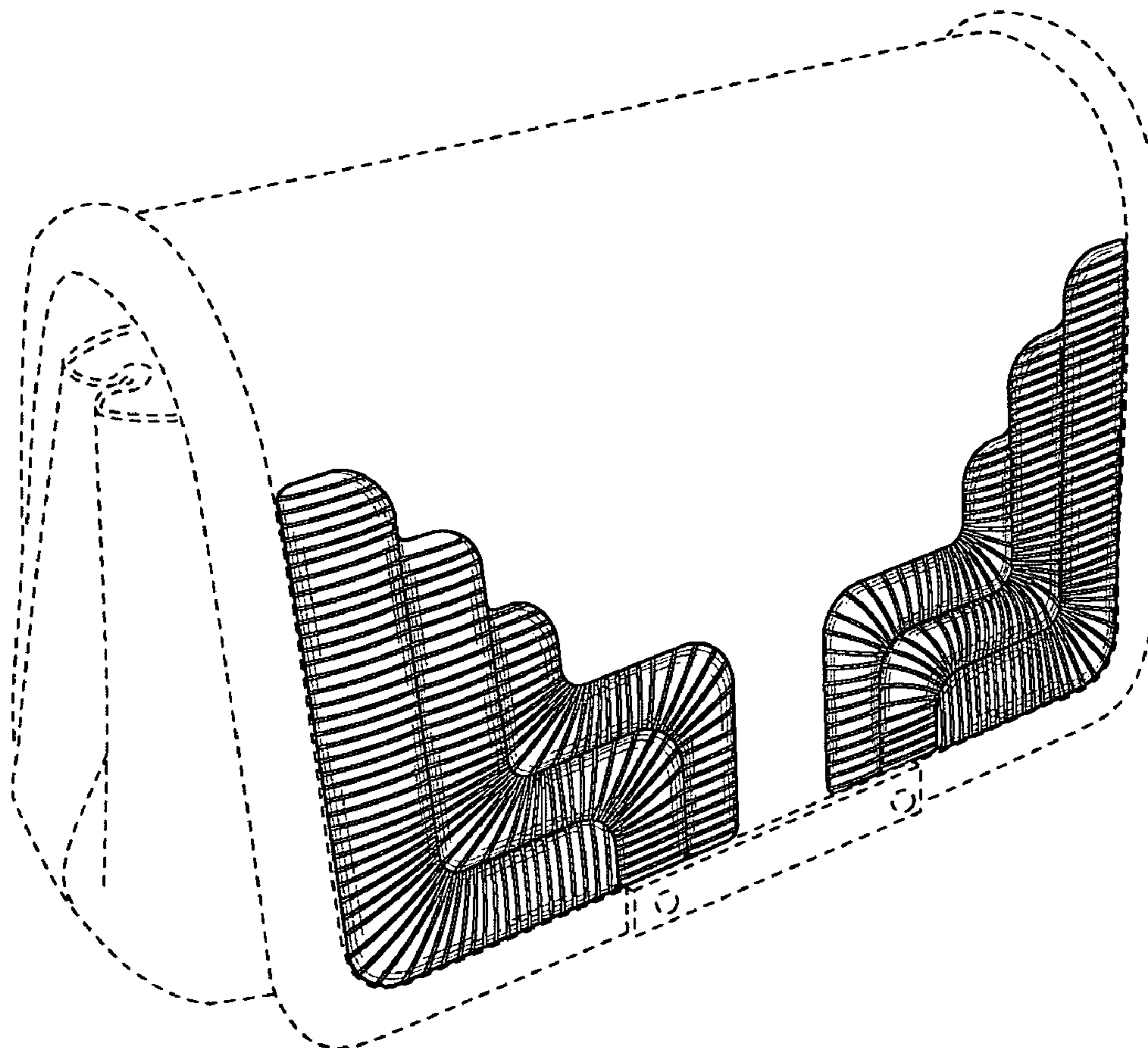
DESCRIPTION

FIG. 1 is a front perspective view of a handbag showing my new design; and,

FIG. 2 is a front view of the handbag shown in FIG. 1.

The broken line showing of the body of the bag, rivets and rectangular piece is for illustrative purposes only and forms no part of the claimed design.

1 Claim, 2 Drawing Sheets



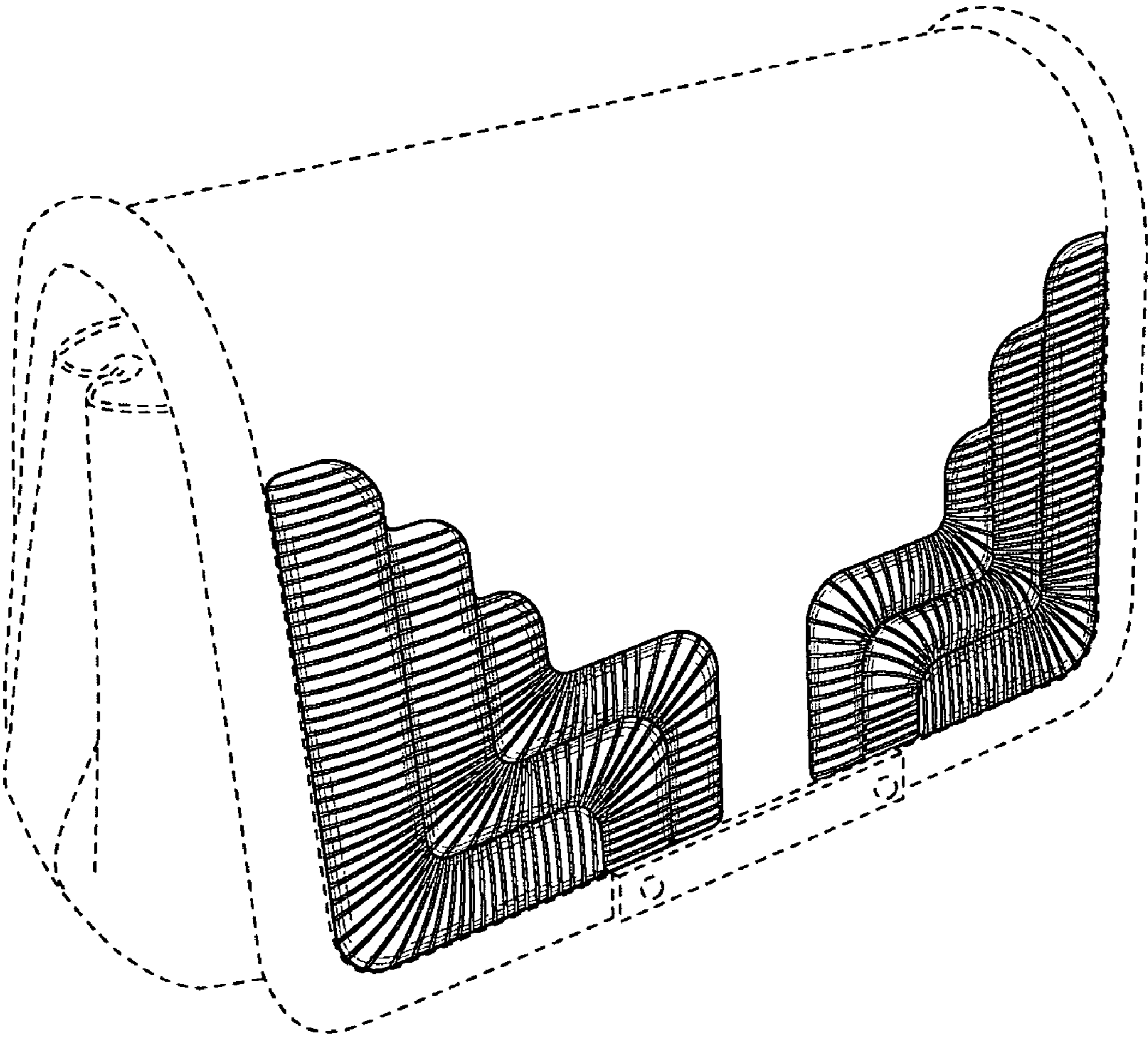


FIG. 1

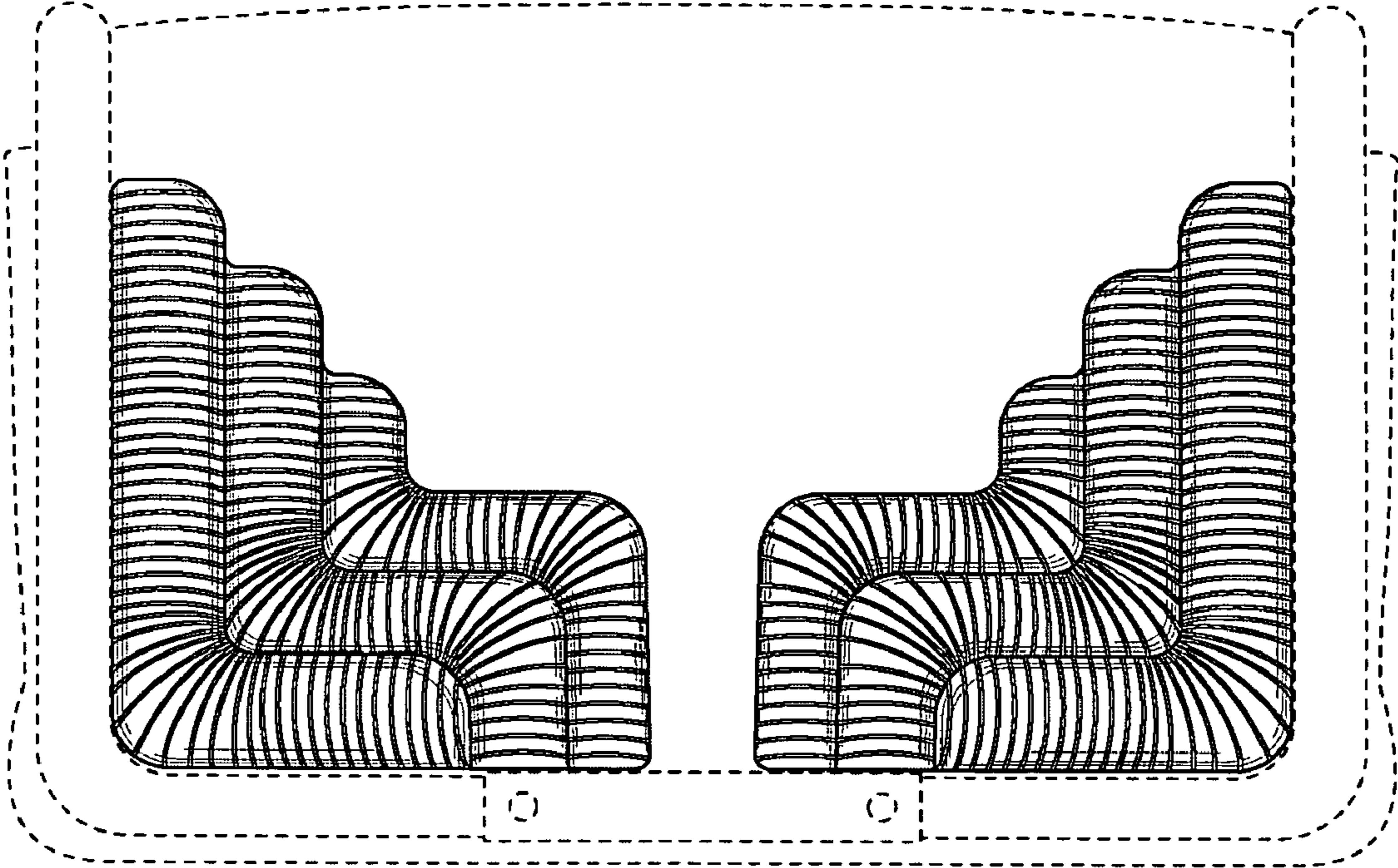


FIG. 2