



US00D582675S

(12) **United States Design Patent**
Nelson

(10) **Patent No.:** **US D582,675 S**

(45) **Date of Patent:** **** Dec. 16, 2008**

(54) **STRETCHABLE NOTEBOOK COMPUTER CASE**

(75) Inventor: **Sarah Beth Nelson**, Boulder, CO (US)

(73) Assignee: **Thule Organization Solutions, Inc.**,
Longmont, CO (US)

(**) Term: **14 Years**

(21) Appl. No.: **29/322,955**

(22) Filed: **Aug. 14, 2008**

(51) **LOC (8) Cl.** **03-01**

(52) **U.S. Cl.** **D3/301; D3/900**

(58) **Field of Classification Search** D3/201,
D3/203.1, 215, 218–219, 225–226, 230, 267,
D3/273, 289, 299, 300–301, 303, 900; D6/407,
D6/632–634; D9/424; D14/299, 432, 439,
D14/440; 190/900–903; 206/216, 320, 576;
383/10

See application file for complete search history.

(56) **References Cited**

U.S. PATENT DOCUMENTS

D409,385	S *	5/1999	Pearson et al.	D3/301
D424,105	S *	5/2000	Platte, III	D19/27
D435,591	S *	12/2000	Wyant	D19/27
D472,383	S *	4/2003	Geisler	D3/273
D500,204	S *	12/2004	Hillman	D3/301
D543,700	S *	6/2007	Parker et al.	D3/294
7,324,340	B2 *	1/2008	Xiong	361/700
D565,842	S *	4/2008	Falcone	D3/294
D577,912	S *	10/2008	Sween et al.	D3/282
D578,129	S *	10/2008	Weber	D14/440
2006/0060485	A1 *	3/2006	Picot et al.	206/320
2006/0226040	A1 *	10/2006	Medina	206/320
2006/0228052	A1 *	10/2006	Hess	383/10
2007/0119735	A1 *	5/2007	Moser	206/320
2007/0246386	A1 *	10/2007	Nykoluk et al.	206/320

* cited by examiner

Primary Examiner—Philip S Hyder
Assistant Examiner—Roselyne Cody
(74) *Attorney, Agent, or Firm*—Sheridan Ross P.C.

(57) **CLAIM**

The ornamental design for a stretchable notebook computer case, as shown and described.

DESCRIPTION

FIG. 1 is a front perspective view of a stretchable notebook computer case showing my new design;

FIG. 2 is a top plan view thereof;

FIG. 3 is a left elevation view thereof;

FIG. 4 is a front elevation view thereof;

FIG. 5 is a bottom plan view thereof;

FIG. 6 is a right elevation view thereof;

FIG. 7 is a rear elevation view thereof;

FIG. 8 is a front perspective view thereof, wherein a front panel is shown in an open position;

FIG. 9 is a front perspective view of a stretchable notebook computer case of another embodiment of the design;

FIG. 10 is a top plan view thereof;

FIG. 11 is a left elevation view thereof;

FIG. 12 is a front elevation view thereof;

FIG. 13 is a bottom plan view thereof;

FIG. 14 is a right elevation view thereof;

FIG. 15 is a rear elevation view thereof; and,

FIG. 16 is a front perspective view thereof, wherein a front panel is shown in an open position.

The broken lines shown in the figures comprise subject matter that is illustrative of environment and forms no part of the claimed design.

1 Claim, 4 Drawing Sheets

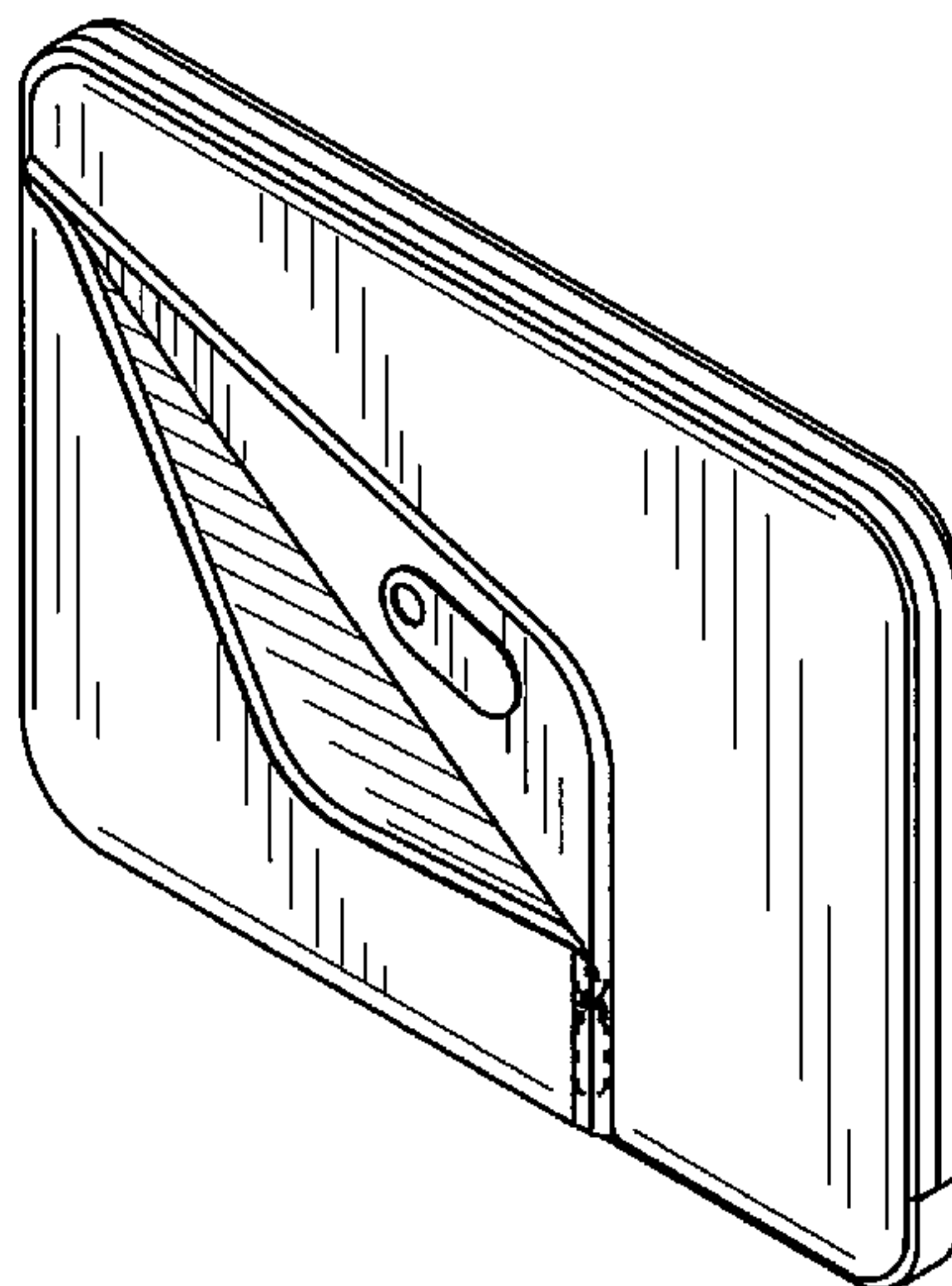


Fig. 1

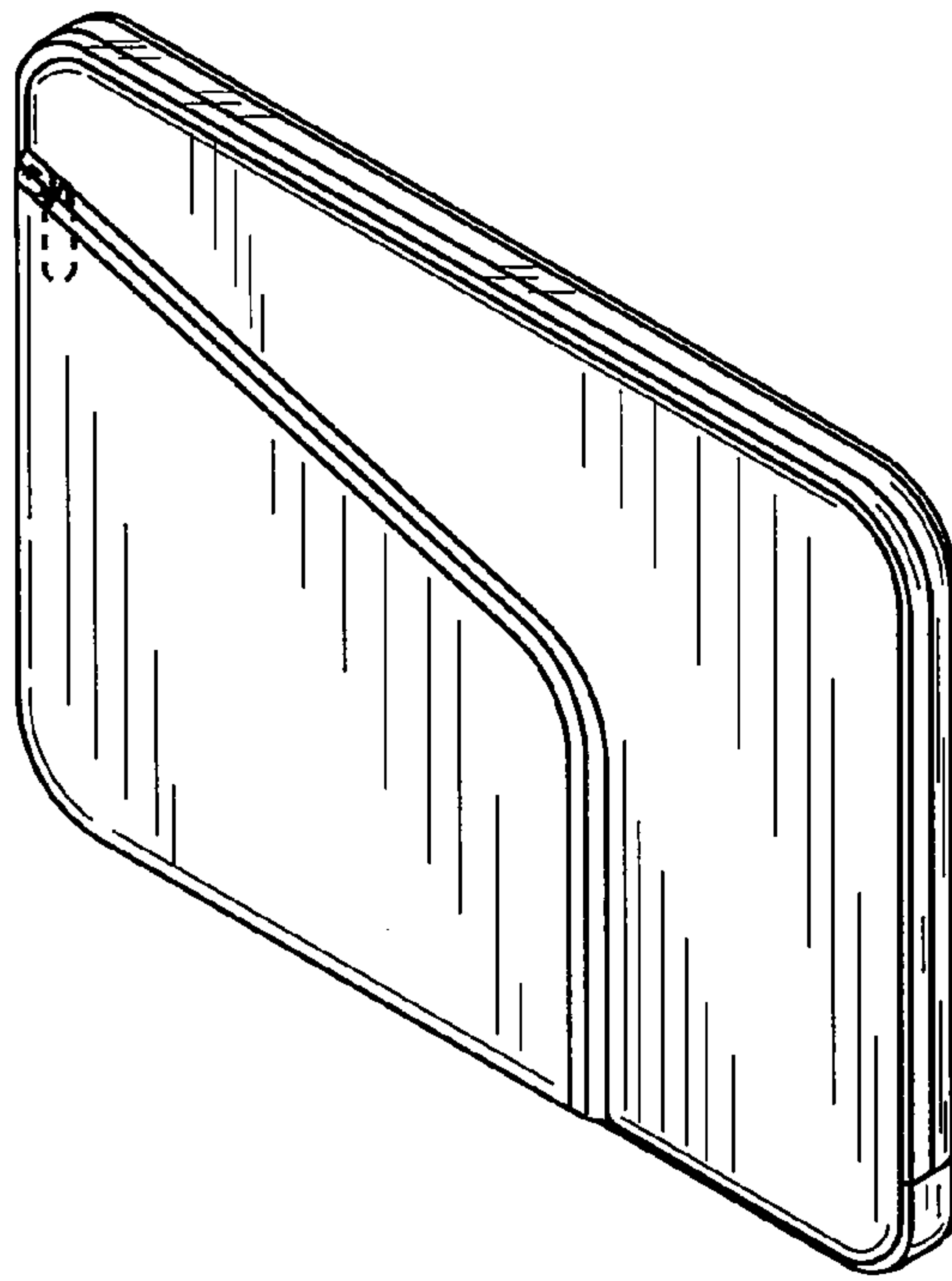


Fig. 2

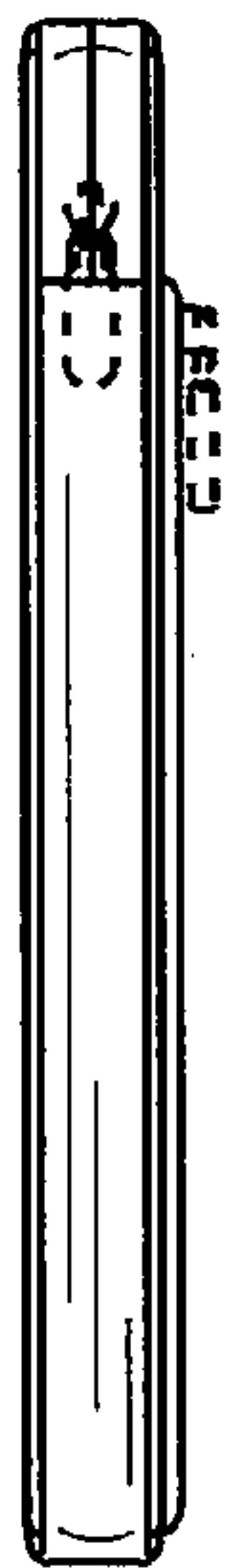
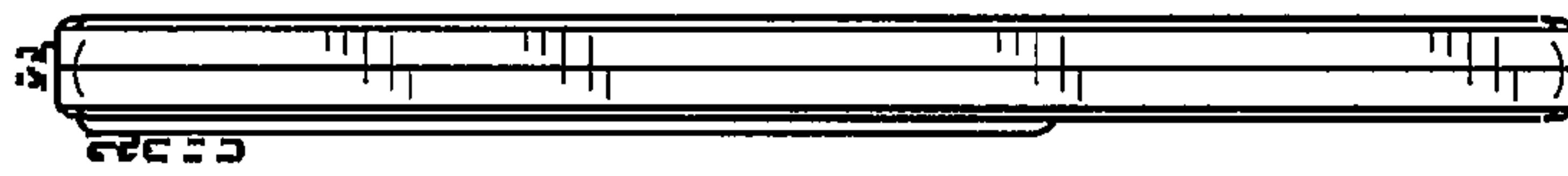


Fig. 3

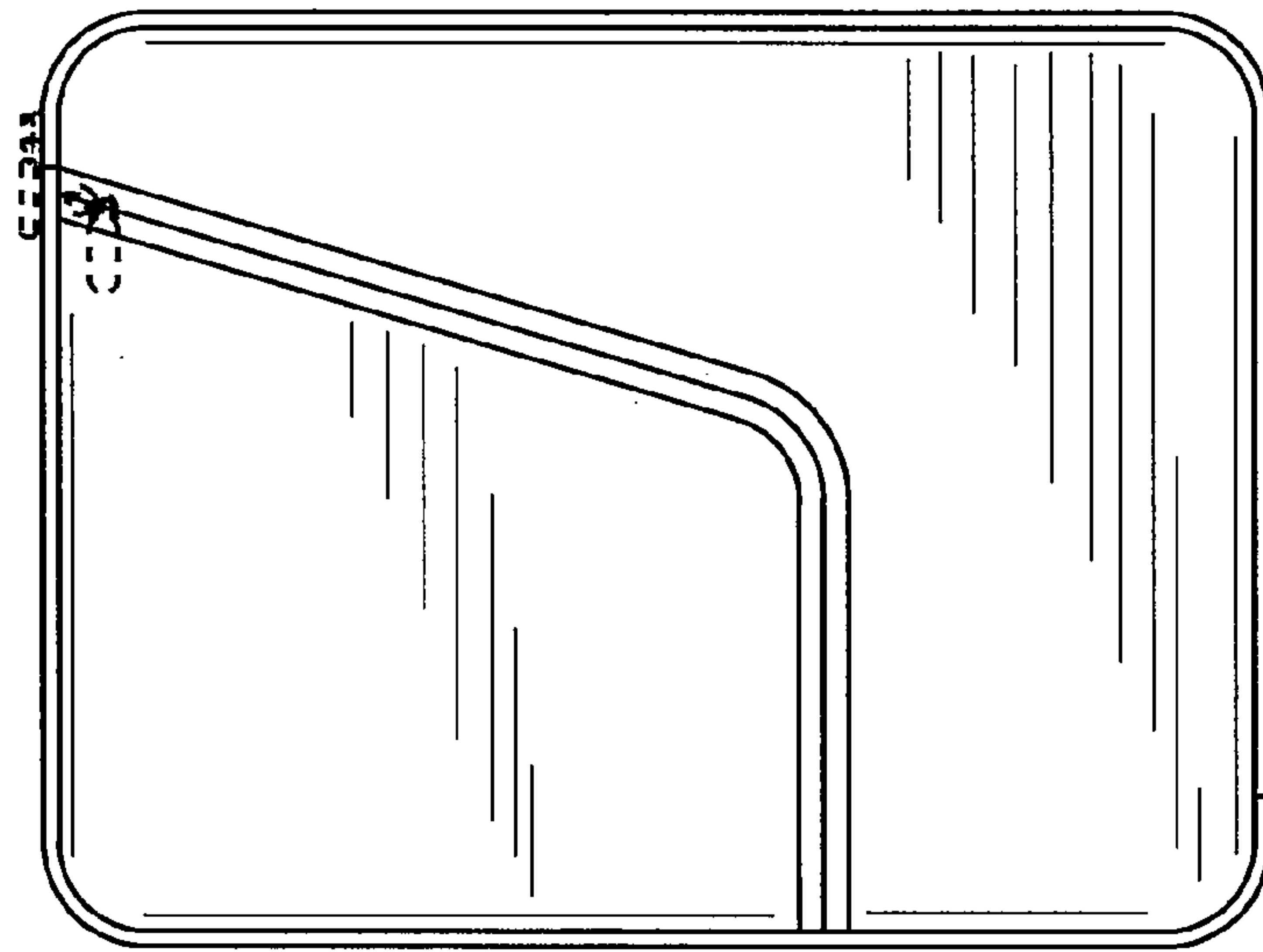


Fig. 4

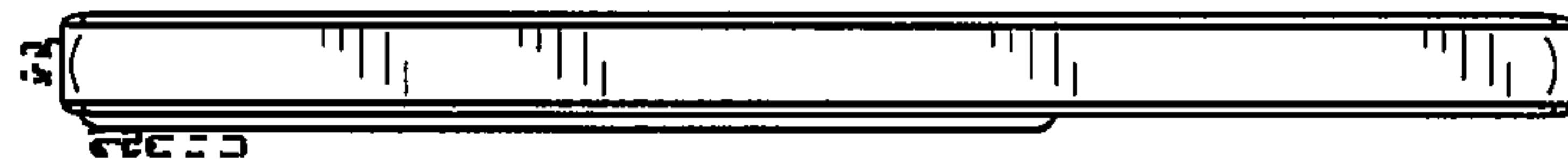


Fig. 5



Fig. 6

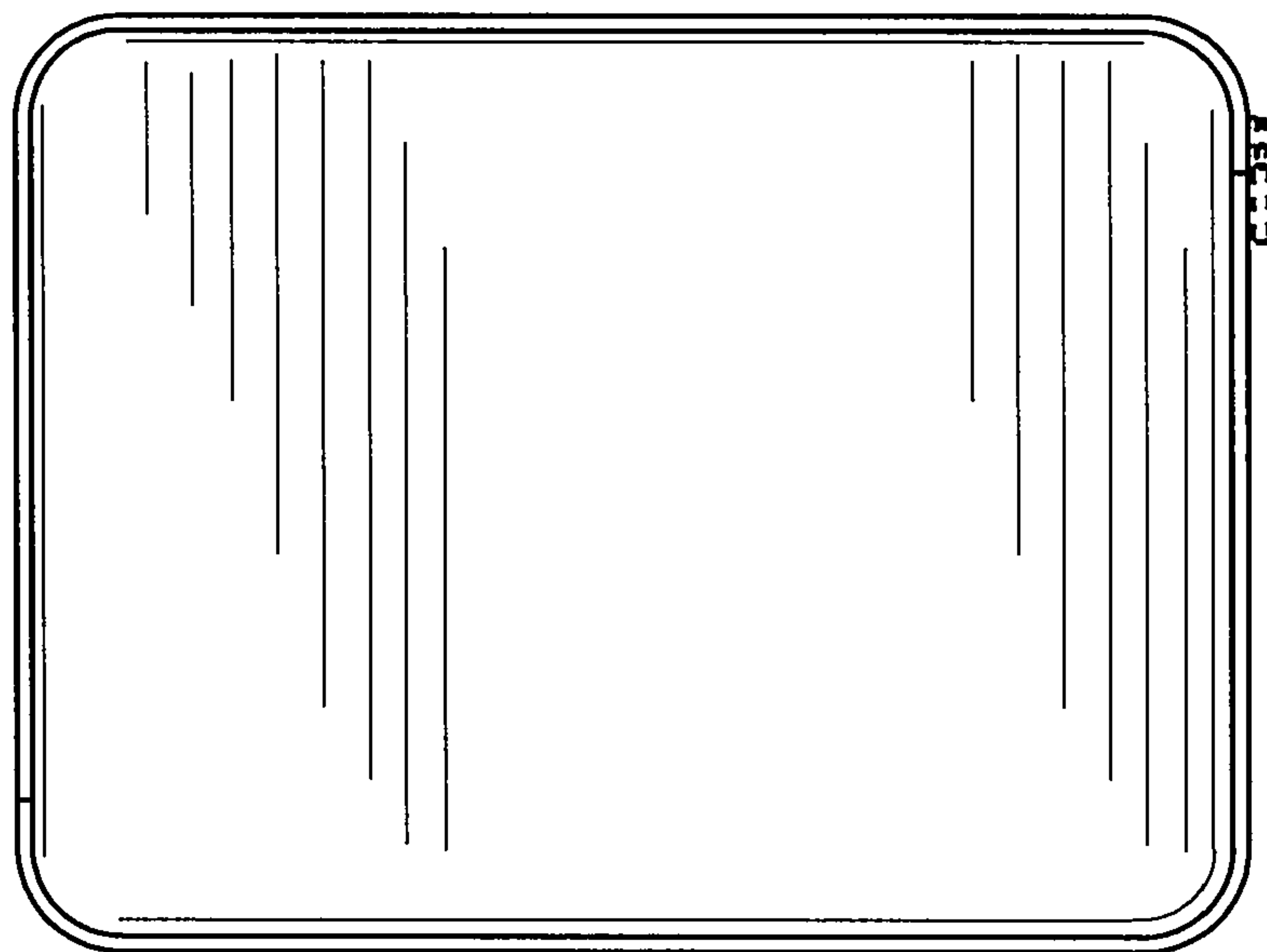


Fig. 7

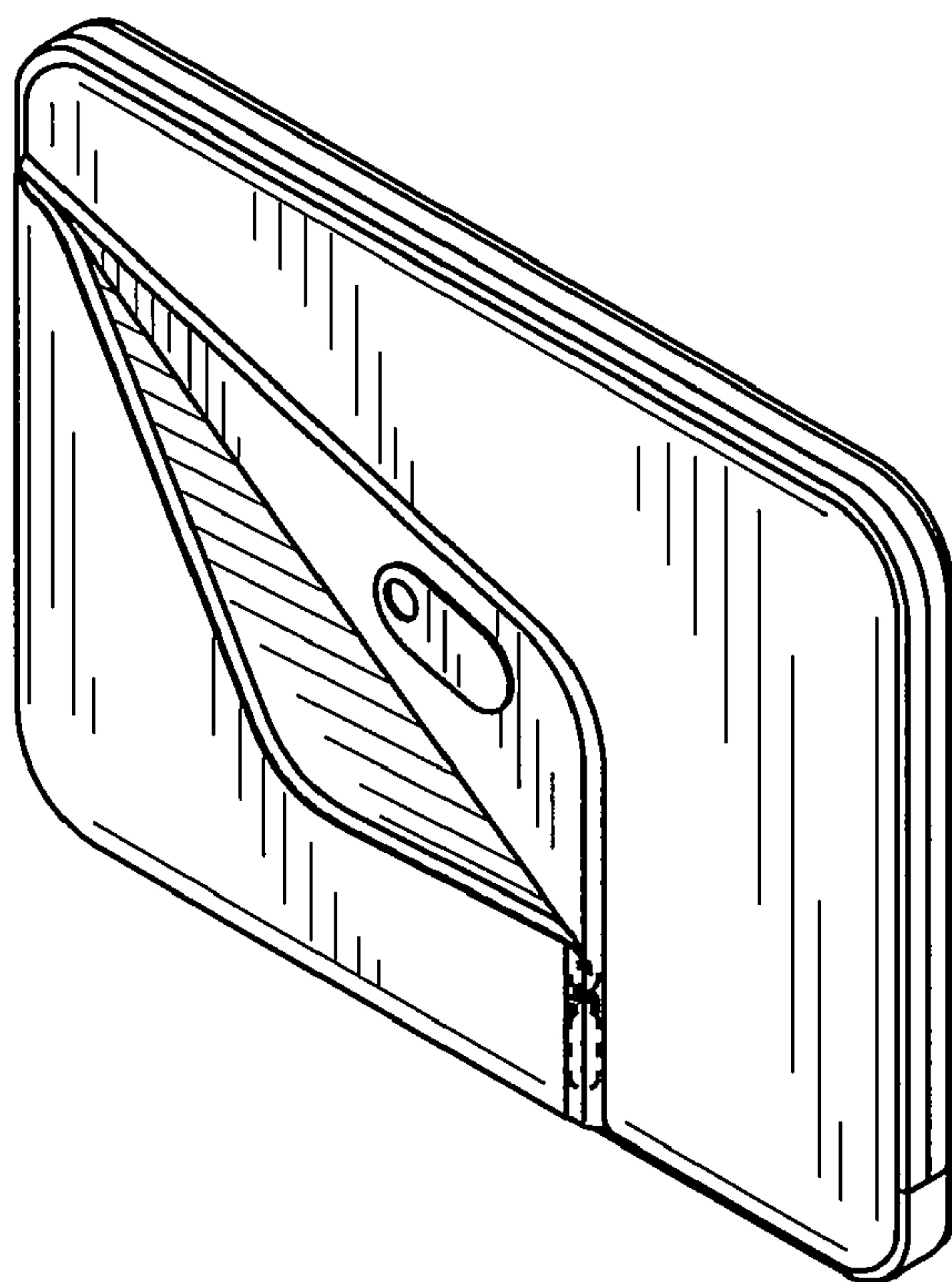


Fig. 8

Fig. 9

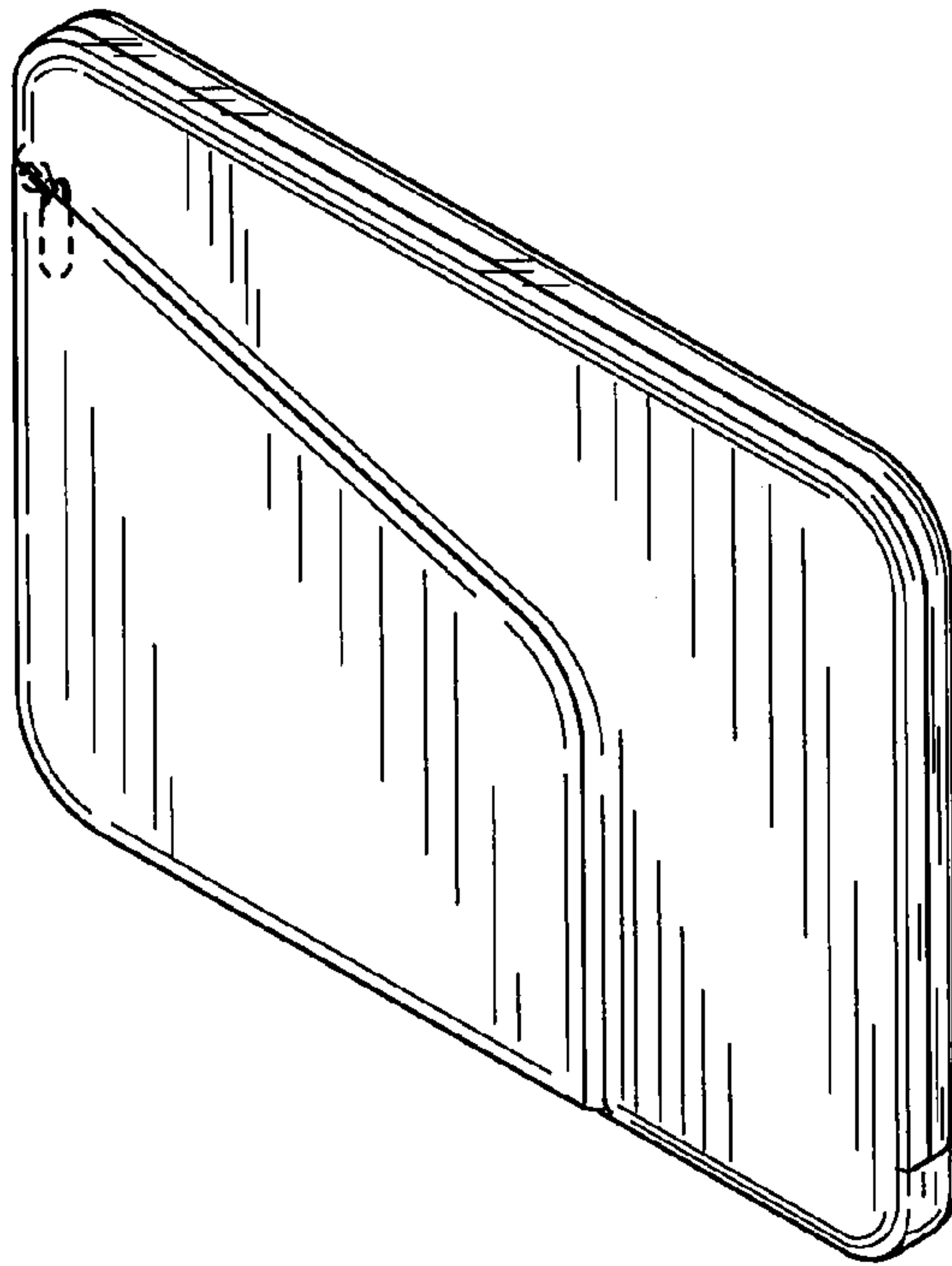


Fig. 10

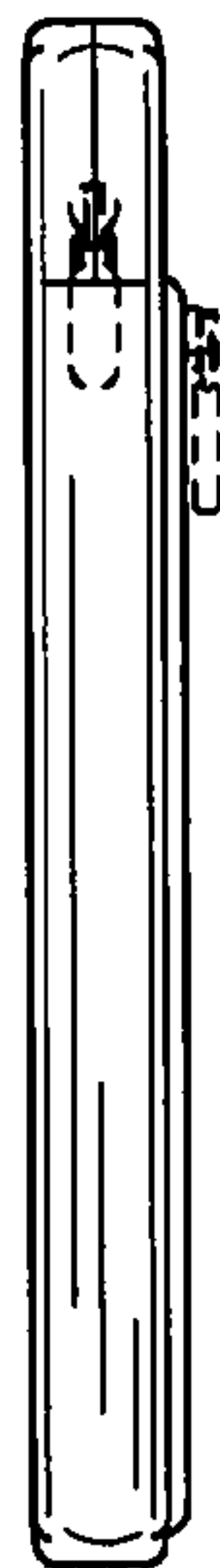
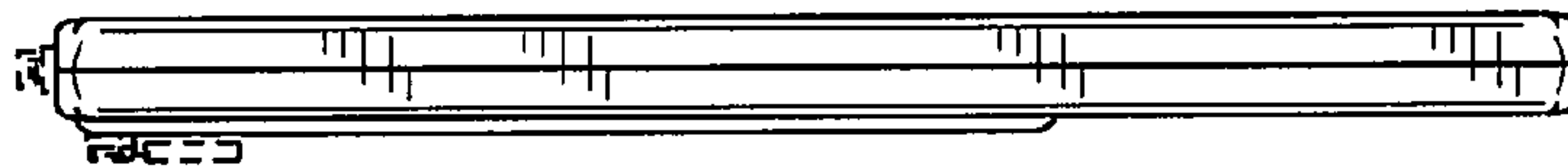


Fig. 11

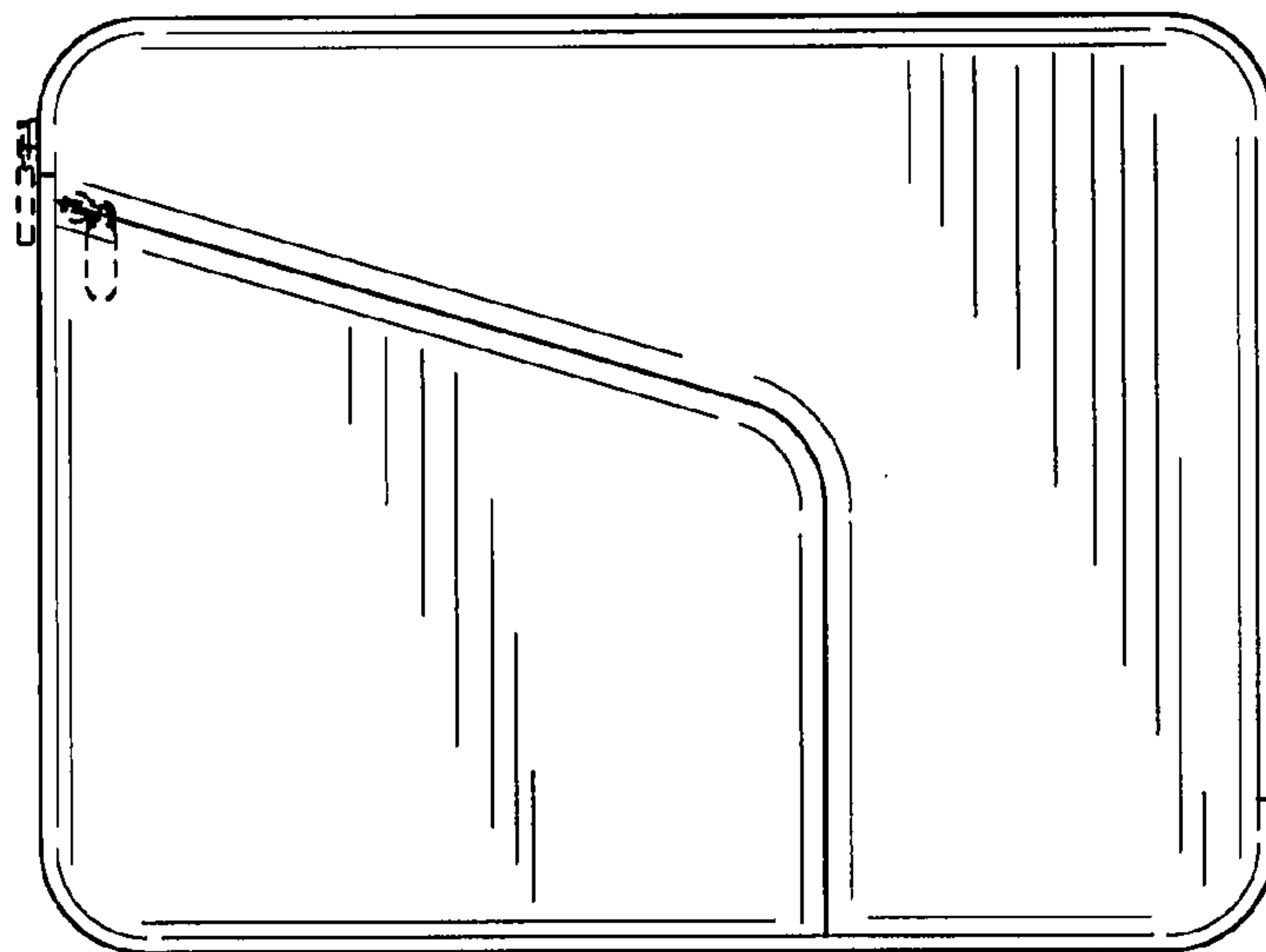


Fig. 12

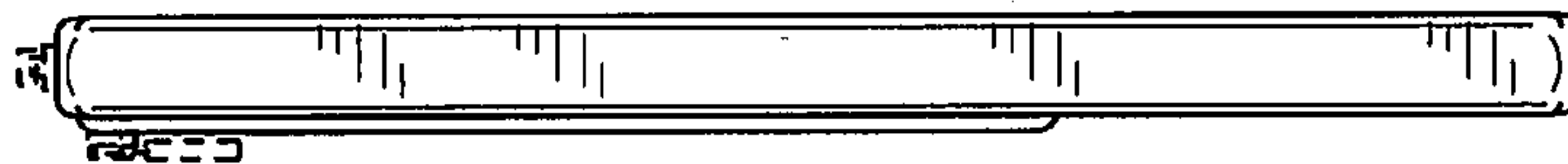


Fig. 13

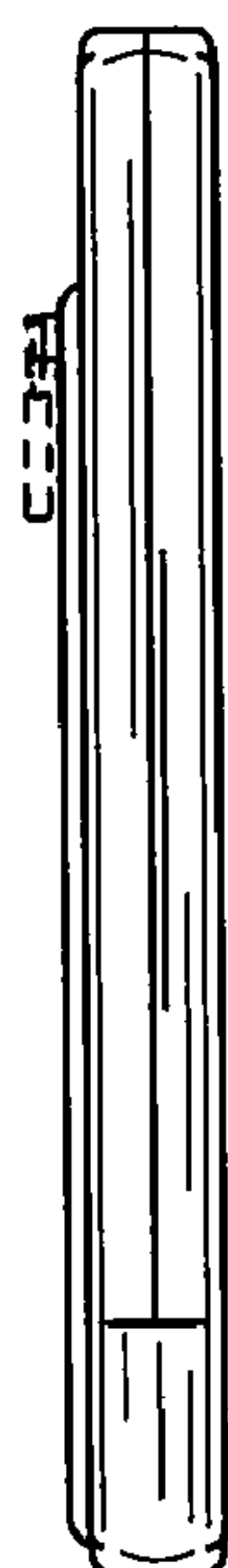


Fig. 14

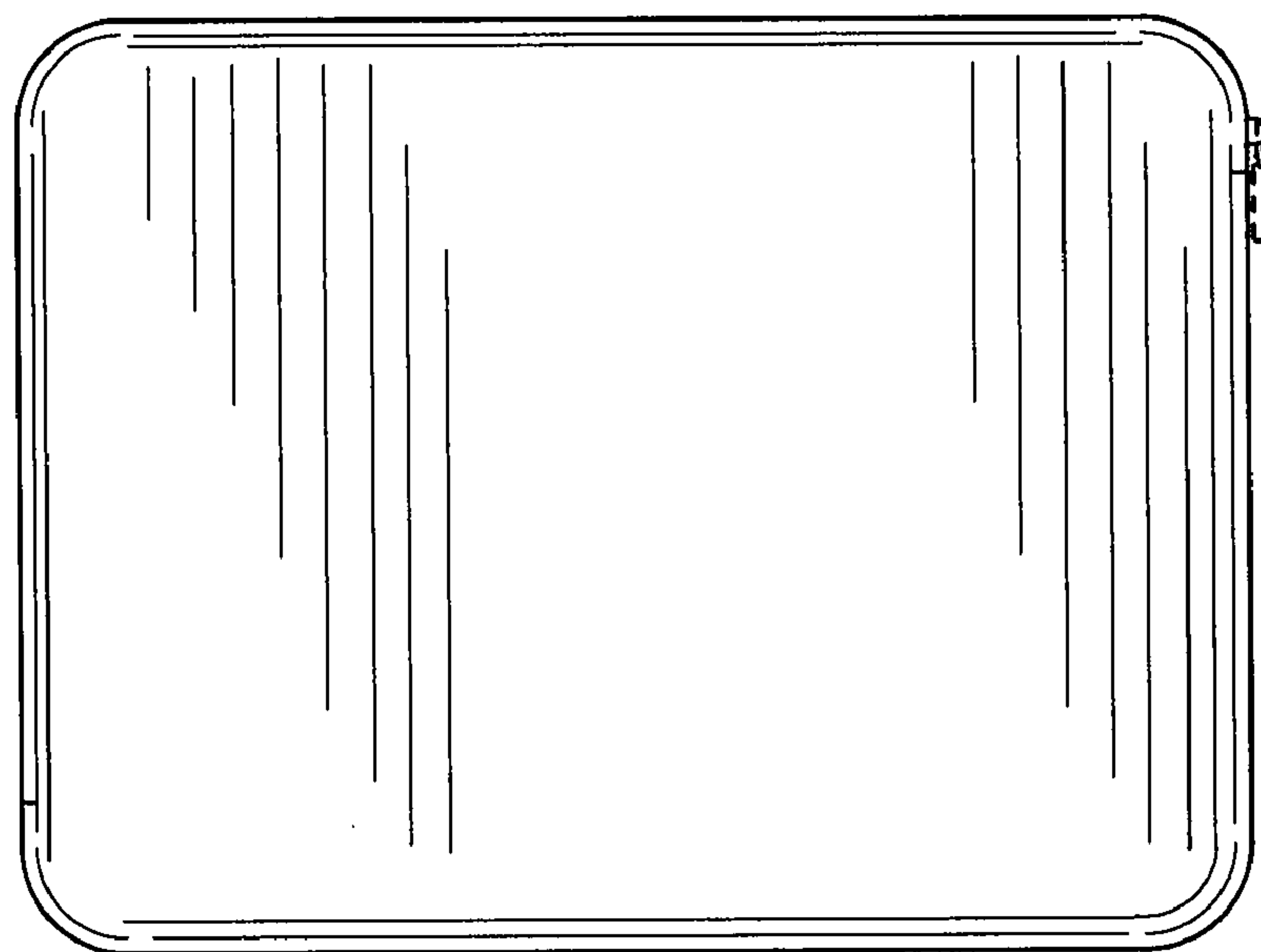


Fig. 15

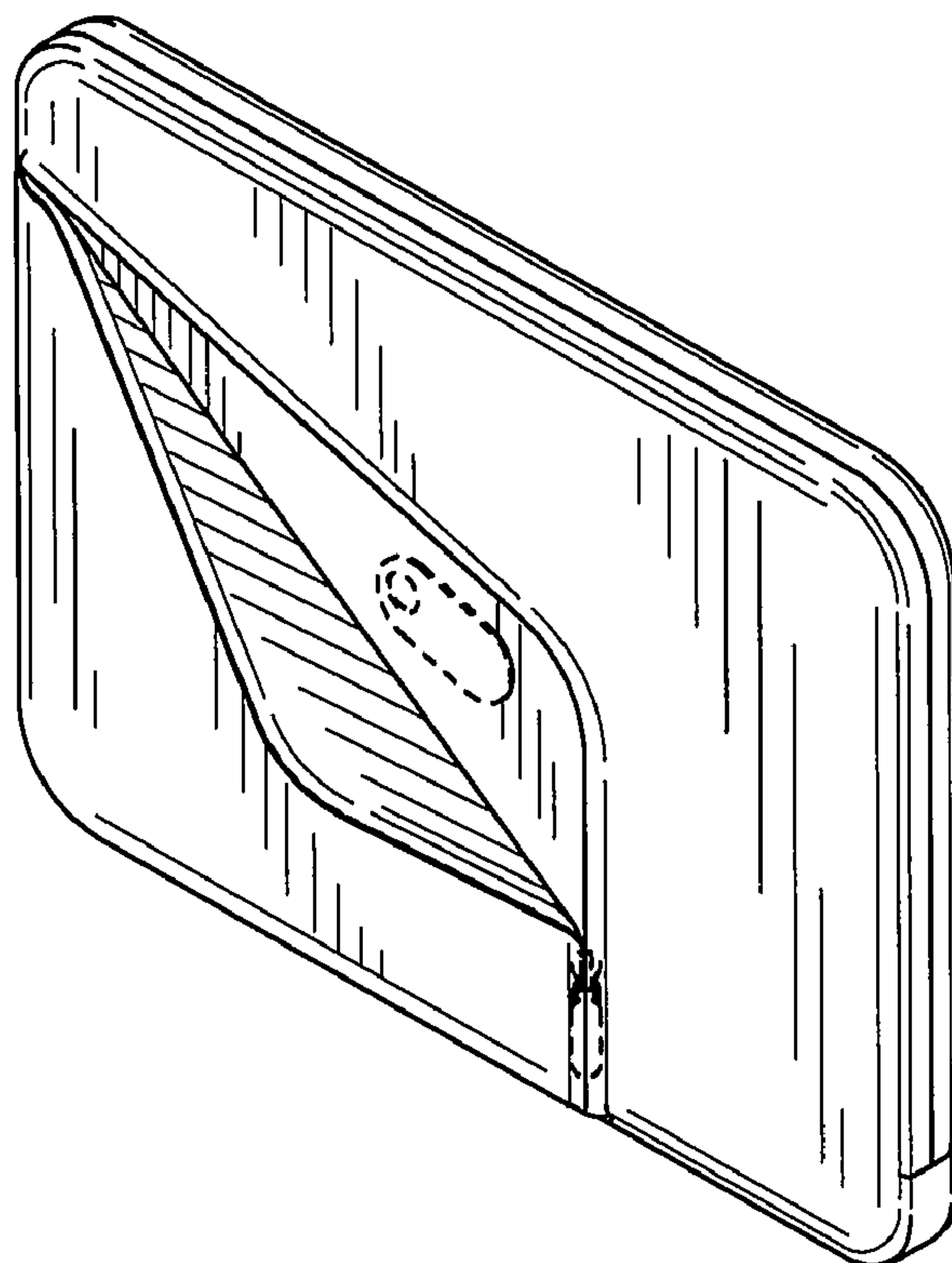


Fig. 16