



US00D582674S

(12) **United States Design Patent**  
**Meyerspeer**

(10) **Patent No.:** **US D582,674 S**

(45) **Date of Patent:** **\*\* Dec. 16, 2008**

(54) **TOOL BOX**

(75) **Inventor:** **Bernhard Meyerspeer**, Zell am See  
(AT)

(73) **Assignee:** **Metabowerke GmbH**, Nuertingen (DE)

(\*\*) **Term:** **14 Years**

(21) **Appl. No.:** **29/273,155**

(22) **Filed:** **Feb. 28, 2007**

(30) **Foreign Application Priority Data**

Sep. 4, 2006 (EM) ..... 000591003

(51) **LOC (8) Cl.** ..... **03-01**

(52) **U.S. Cl.** ..... **D3/280; D3/905**

(58) **Field of Classification Search** ..... D3/273,  
D3/276, 280–284, 291–292, 294–295, 302,  
D3/321, 900, 901, 905; 190/16–17, 109–111,  
190/115, 127, 900; 206/349, 372–373, 376,  
206/379

See application file for complete search history.

(56) **References Cited**

**U.S. PATENT DOCUMENTS**

D154,092 S \* 6/1949 Arbib ..... D3/292  
D193,601 S \* 9/1962 Hoffman ..... D3/281  
D217,413 S \* 4/1970 Aghababian ..... D3/280  
D219,855 S \* 2/1971 Dreyfuss ..... D3/280

D224,815 S \* 9/1972 Nishigami et al. .... D3/280  
D300,988 S \* 5/1989 Melk ..... D3/282  
D311,993 S \* 11/1990 Melk ..... D3/282  
D438,381 S \* 3/2001 Sijmons ..... D3/321  
D479,651 S \* 9/2003 Shen ..... D3/279

\* cited by examiner

*Primary Examiner*—Philip S Hyder

*Assistant Examiner*—Roselynn Cody

(74) *Attorney, Agent, or Firm*—Paul Vincent

(57) **CLAIM**

The ornamental design for a tool box, as shown.

**DESCRIPTION**

FIG. 1 shows a perspective view of the tool box in accordance with the invention;

FIG. 2 shows a side view of the tool box in accordance with the invention;

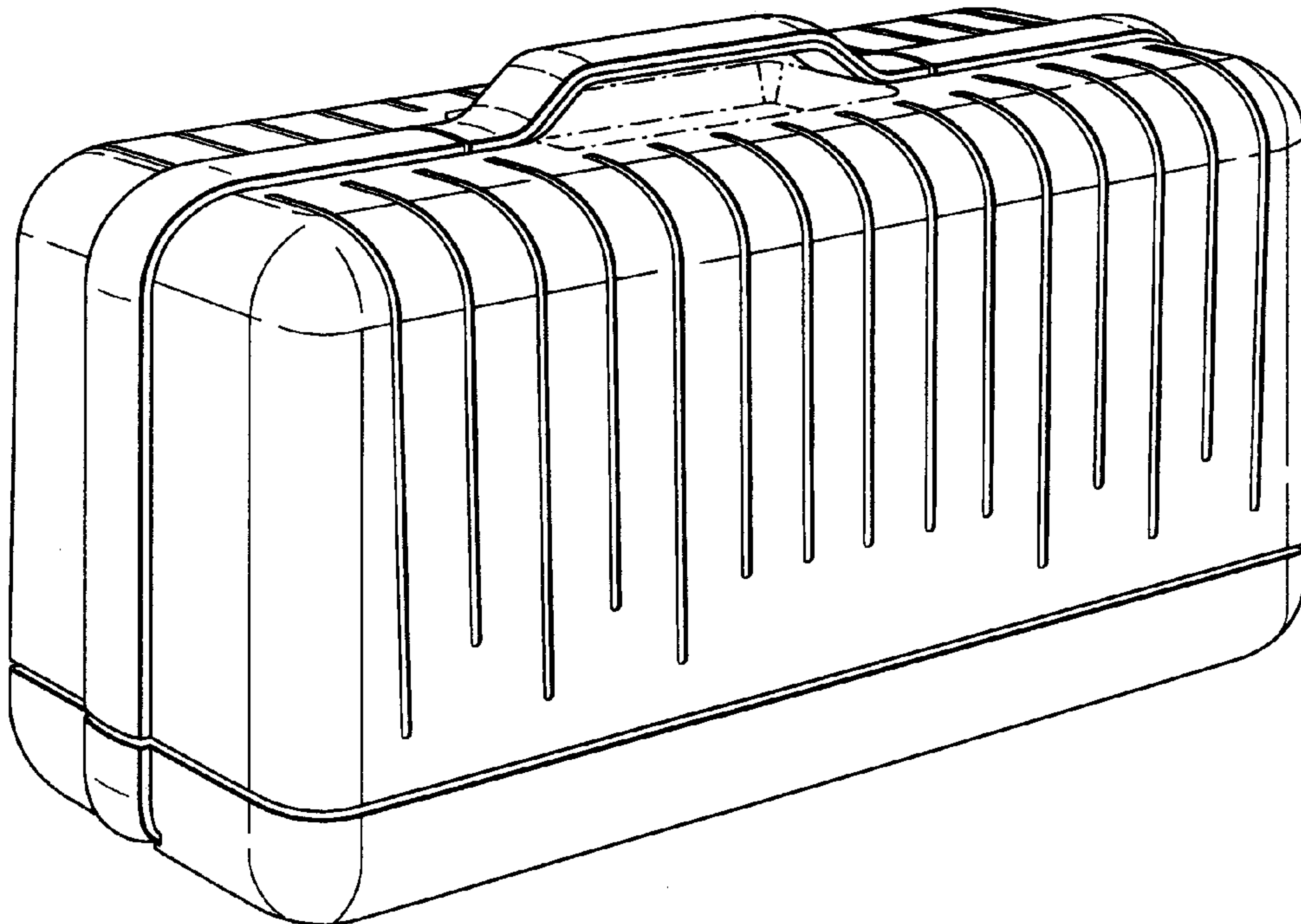
FIG. 3 shows a top view of the tool box in accordance with the invention;

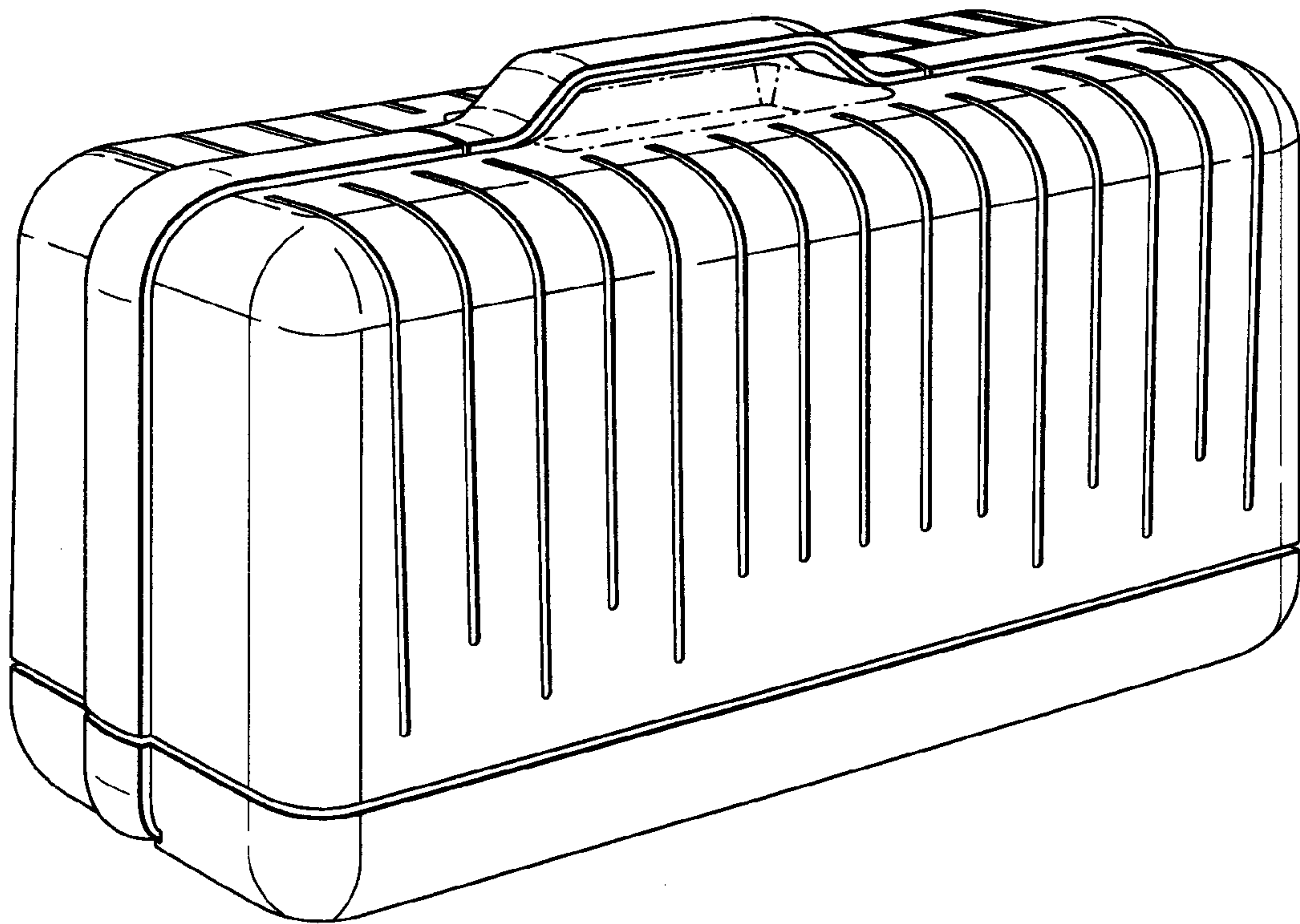
FIG. 4 shows a bottom view of the tool box in accordance with the invention; and,

FIG. 5 shows an end view of the tool box in accordance with the invention.

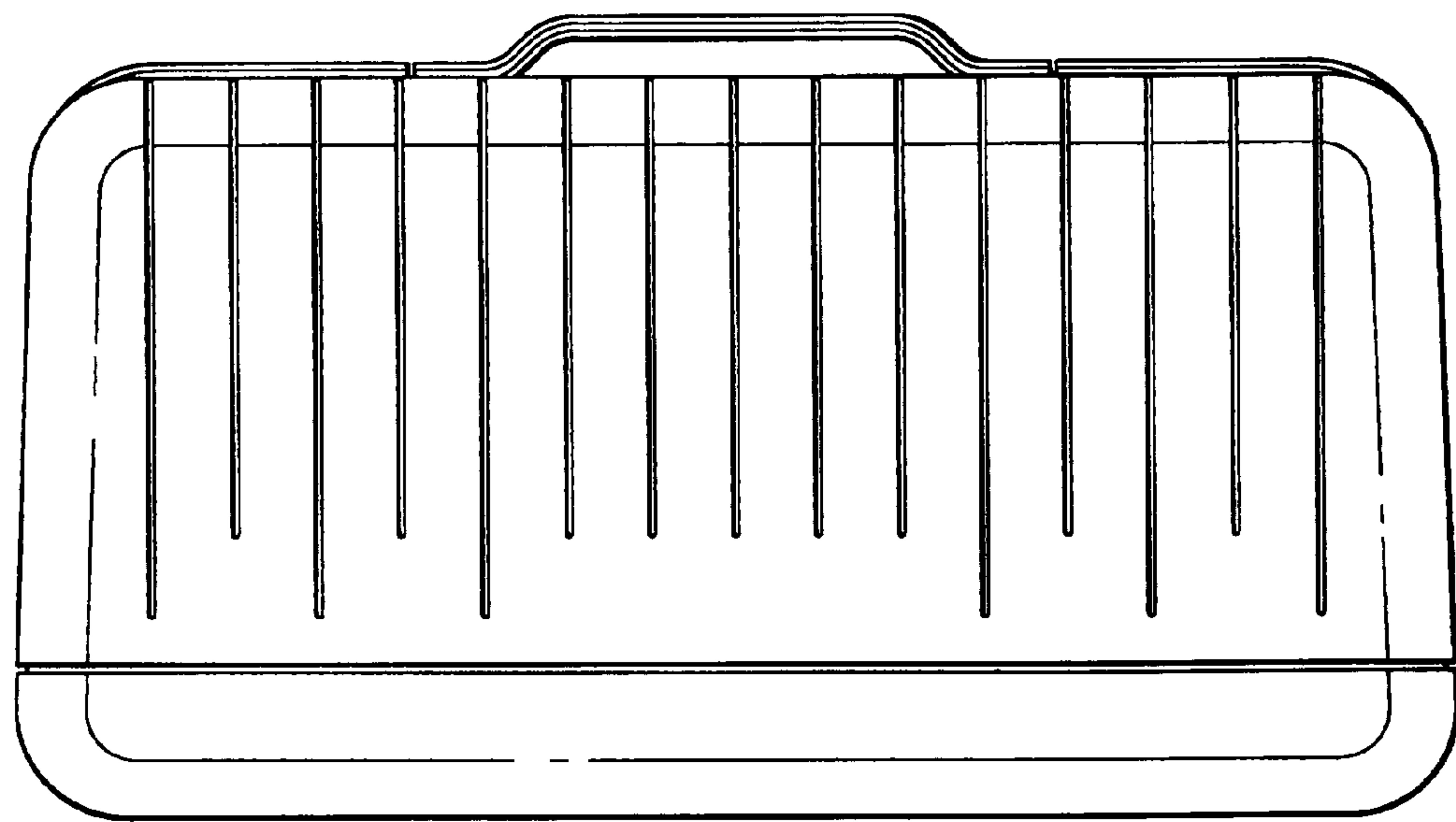
The broken line showing in FIGS. 1 and 3 is illustrative of environment only and forms no part of the claimed design.

**1 Claim, 5 Drawing Sheets**

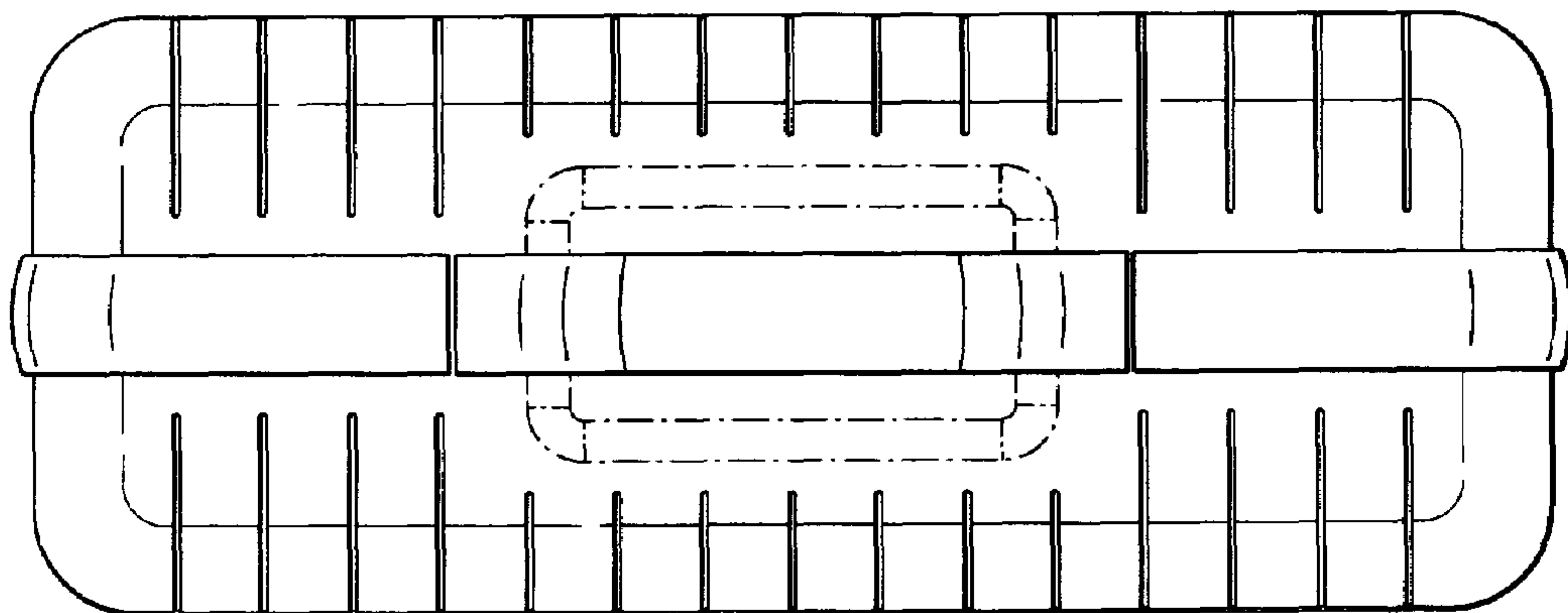




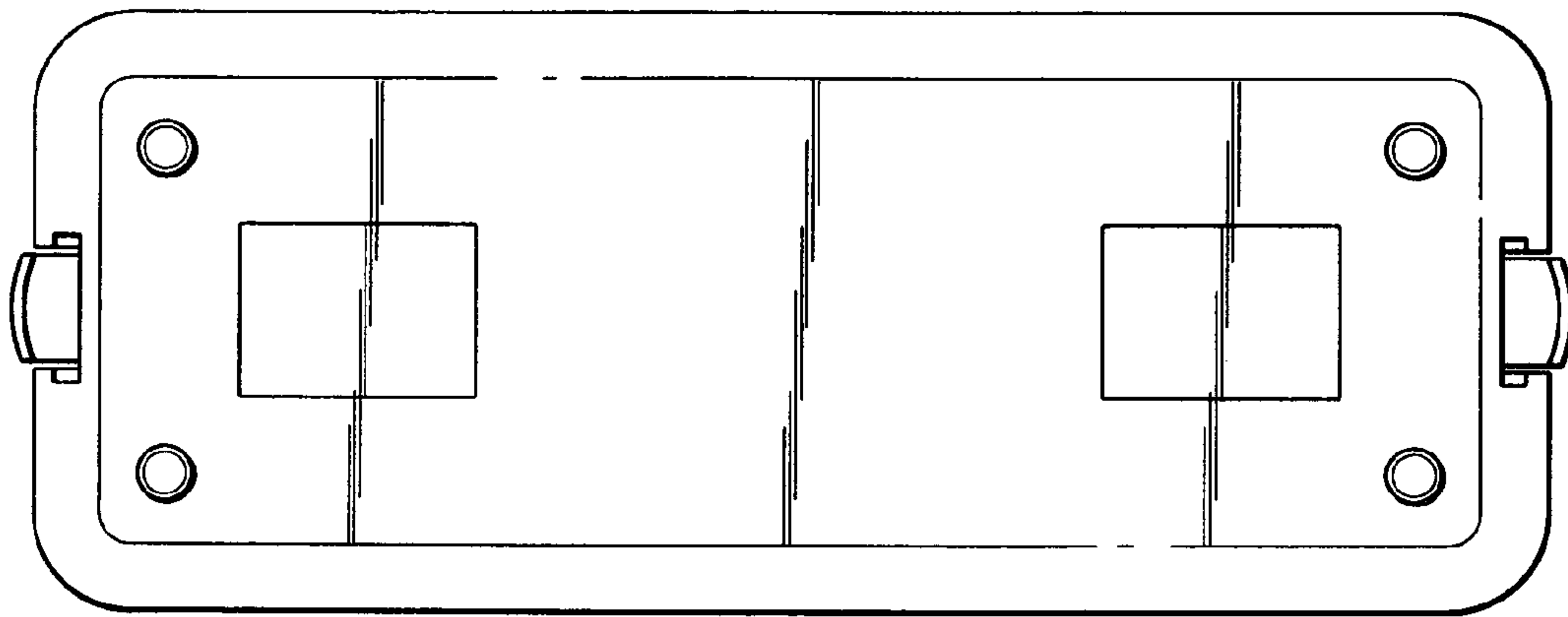
*Fig. 1*



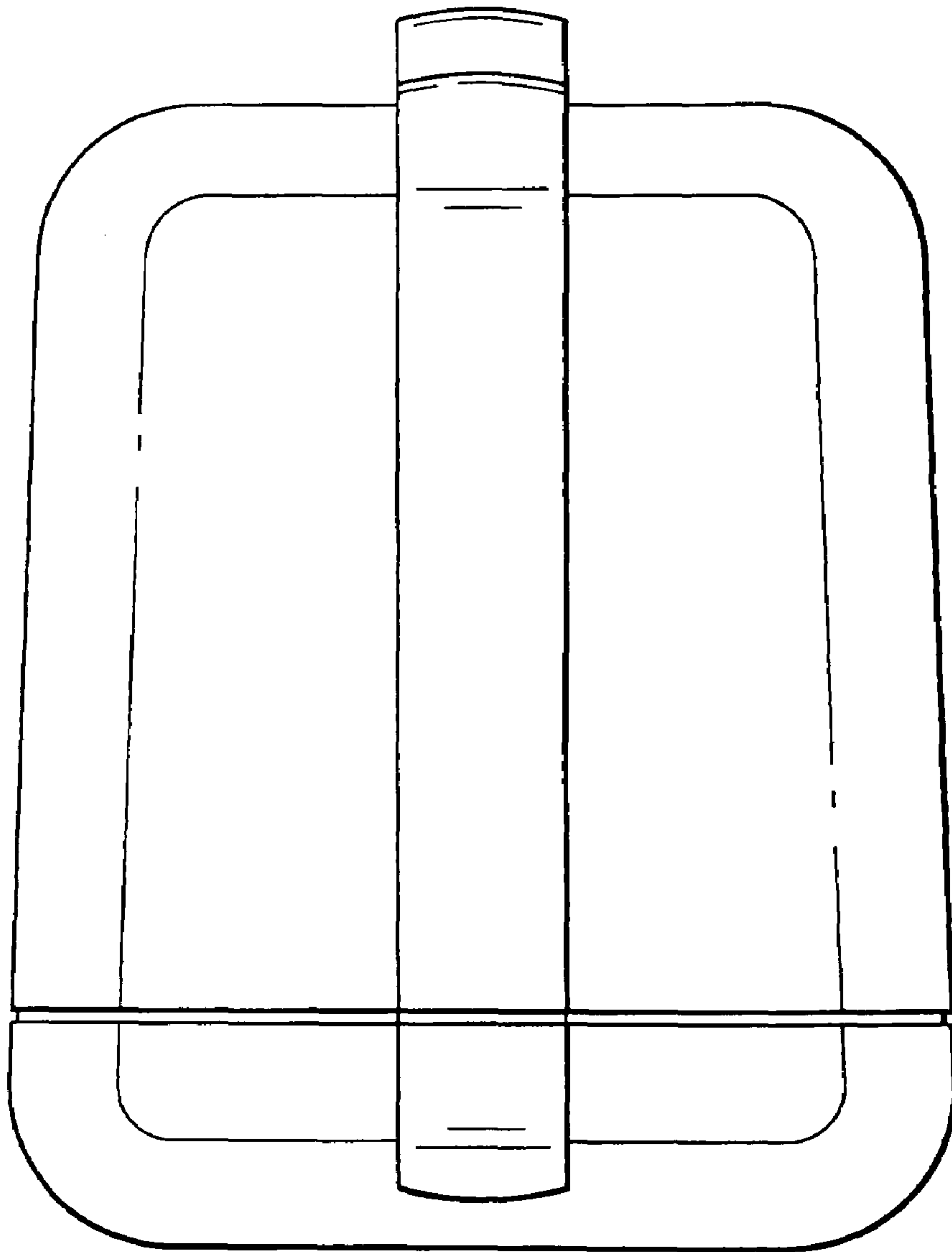
*Fig. 2*



*Fig. 3*



*Fig. 4*



*Fig. 5*