



US00D582665S

(12) **United States Design Patent**
Gonzalez

(10) **Patent No.:** **US D582,665 S**
(45) **Date of Patent:** **** Dec. 16, 2008**

(54) **HANDBAG**

(75) **Inventor:** **Alvaro Gonzalez**, Florence (IT)

(73) **Assignee:** **J. Choo Limited**, London (GB)

(**) **Term:** **14 Years**

(21) **Appl. No.:** **29/289,275**

(22) **Filed:** **Jul. 12, 2007**

(51) **LOC (8) Cl.** **03-01**

(52) **U.S. Cl.** **D3/232**

(58) **Field of Classification Search** D3/232-234,
D3/240-246, 318, 322, 324; 150/100, 103-104,
150/107-110, 114, 118-119

See application file for complete search history.

(56) **References Cited**

U.S. PATENT DOCUMENTS

D249,593 S	*	9/1978	Glaser	D3/245
D496,158 S	*	9/2004	Gilad	D3/232
D510,661 S	*	10/2005	Suppangig	D3/246
D533,716 S	*	12/2006	Brocart	D3/246

OTHER PUBLICATIONS

U.S. Appl. No. 29/271,725, filed Jan. 24, 2007, First Named Inventor: Gonzalez.

* cited by examiner

Primary Examiner—Holly H Baynham

(74) *Attorney, Agent, or Firm*—Fross Zelnick Lehrman & Zissu, P.C.; Lawrence E. Apolzon, Esq.

(57) **CLAIM**

The ornamental design for handbag, as shown and described.

DESCRIPTION

FIG. 1 is a front perspective view of a shoe showing my handbag design;

FIG. 2 is a rear view of the handbag shown in FIG. 1;

FIG. 3 is a front view of the handbag shown in FIG. 1;

FIG. 4 is a left side view of the handbag shown in FIG. 1;

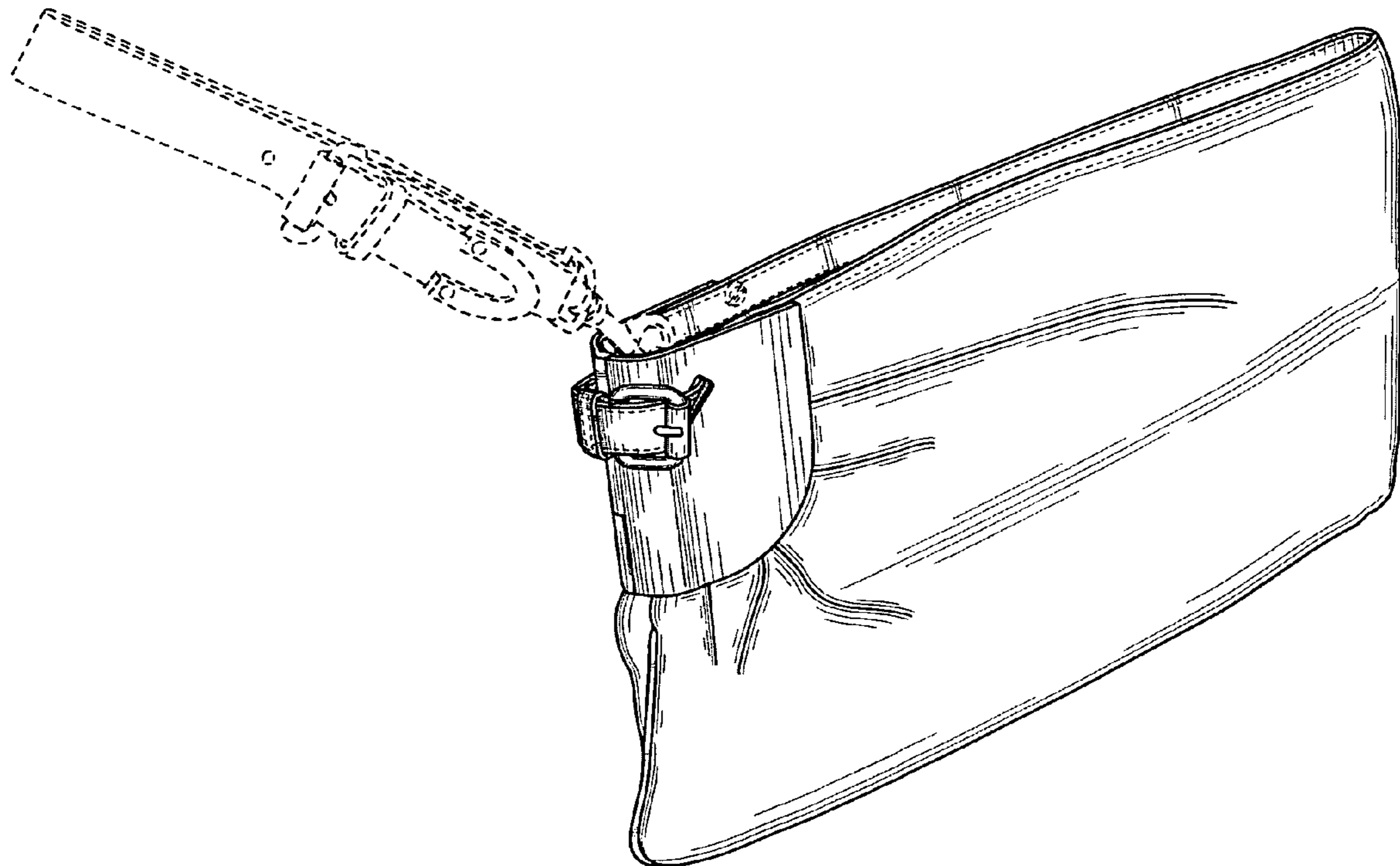
FIG. 5 is a right side view of the handbag shown in FIG. 1;

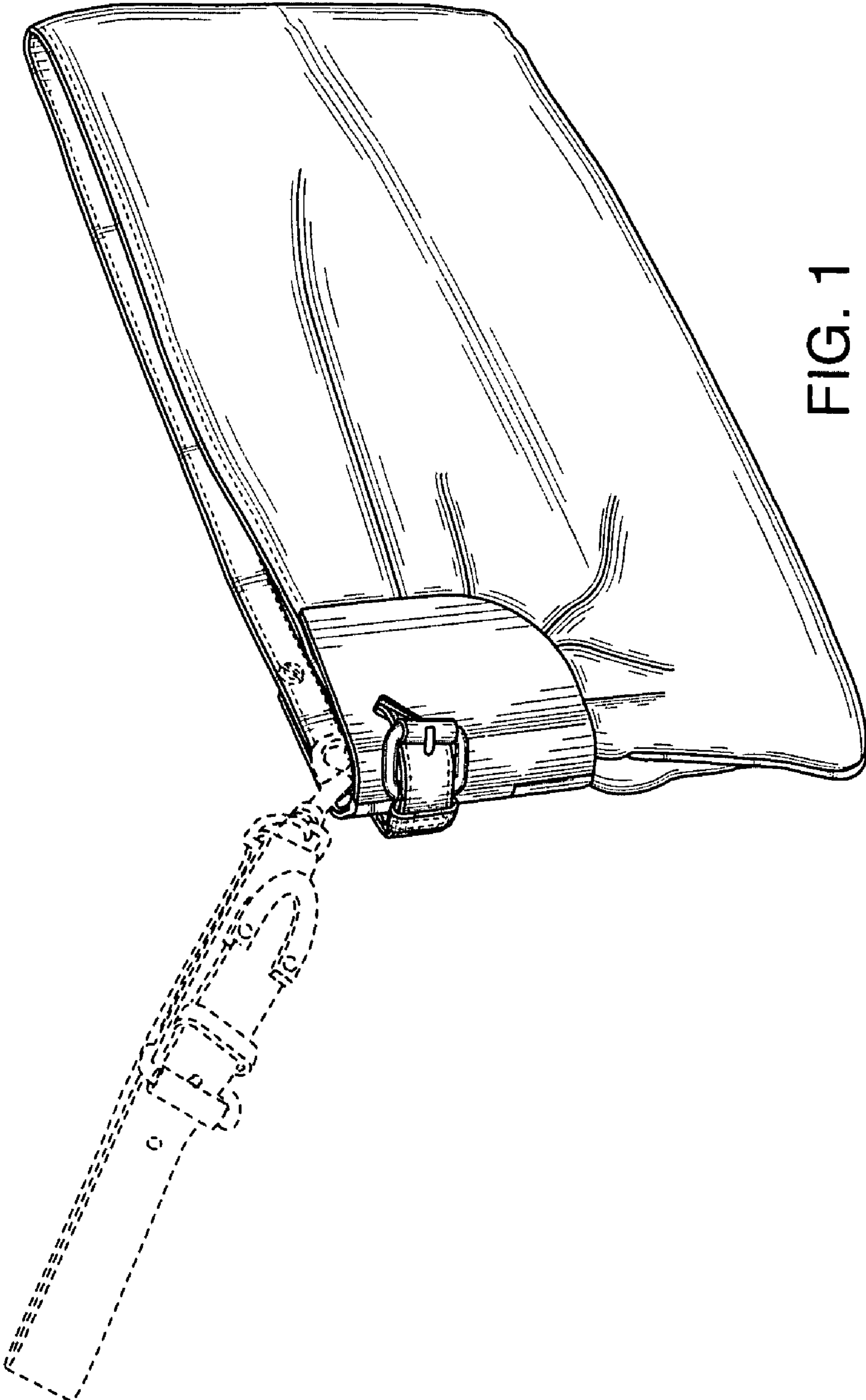
FIG. 6 is a top view of the handbag shown in FIG. 1; and,

FIG. 7 is a bottom view of the handbag shown in FIG. 1.

The broken line showing of the detachable handle with clasp and buckle, body of bag, and screw is for illustrative purposes only and forms no part of the claimed design.

1 Claim, 7 Drawing Sheets





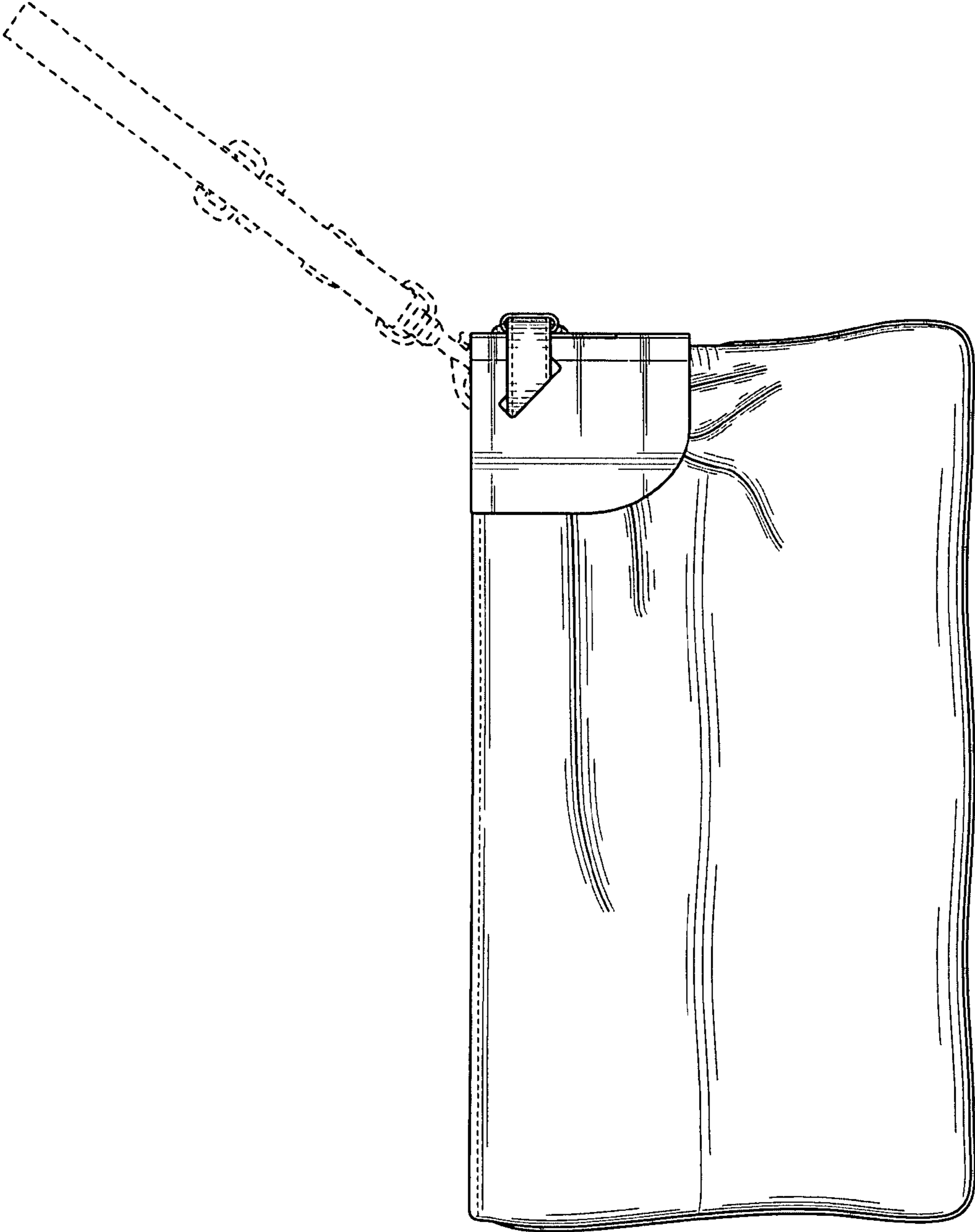


FIG. 2

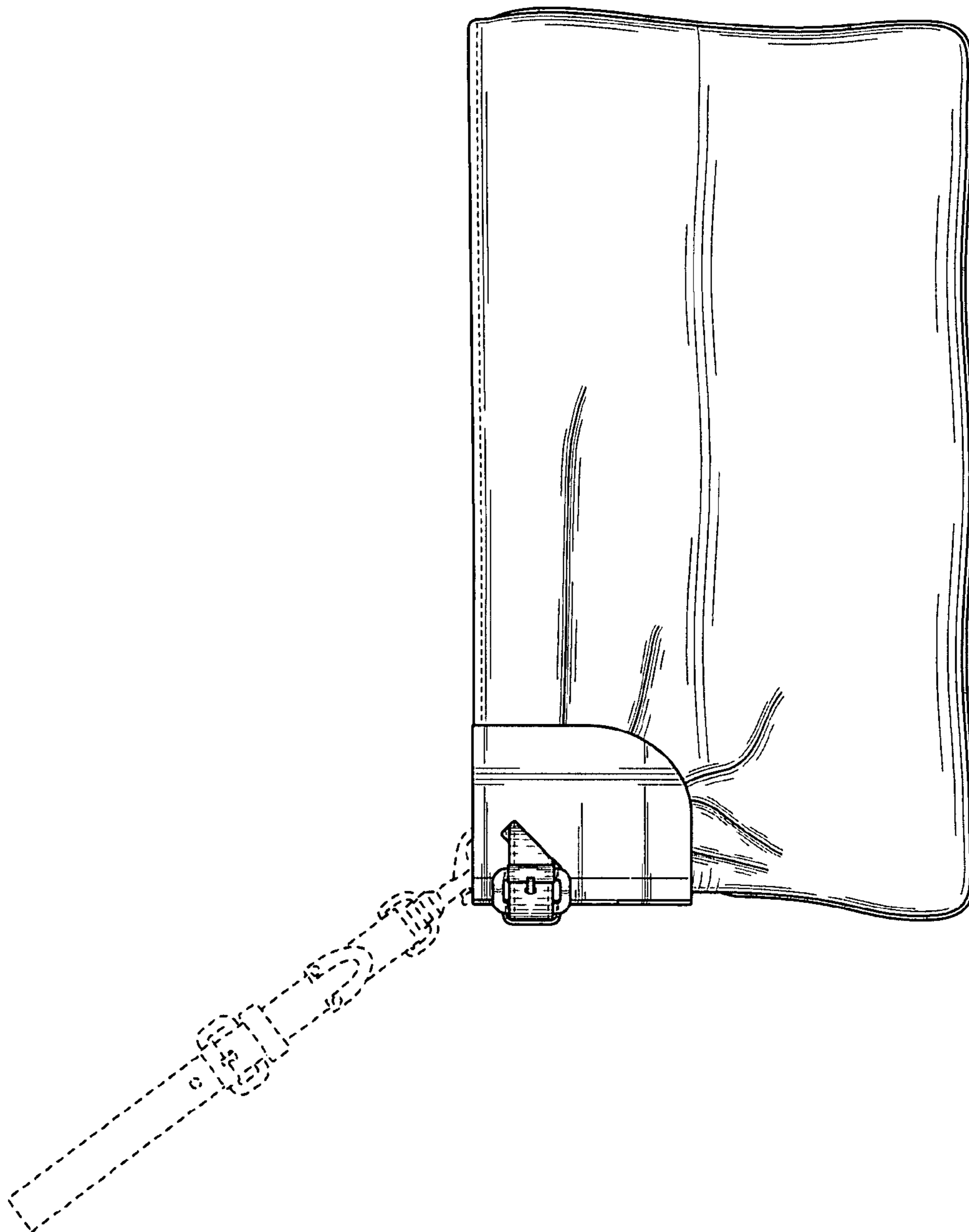


FIG. 3

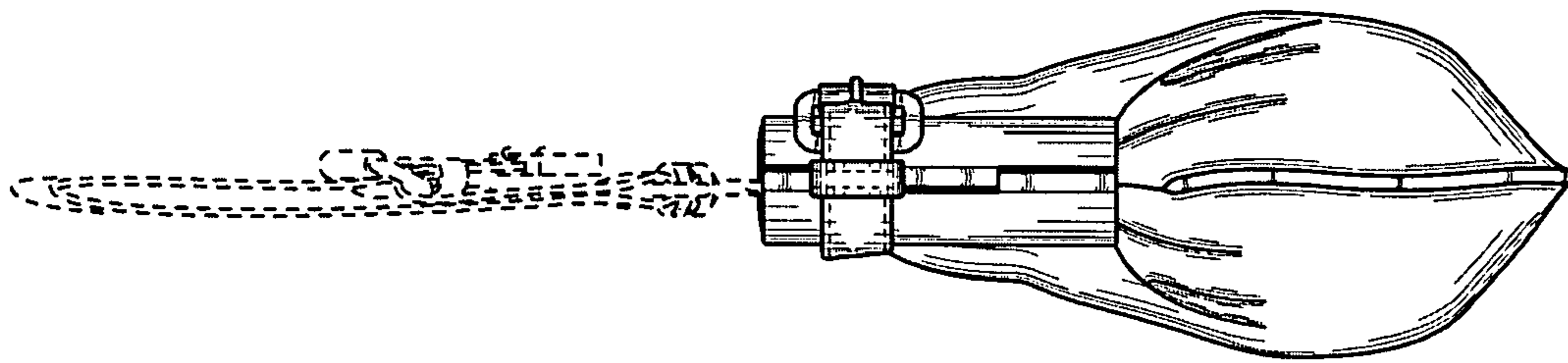


FIG. 4

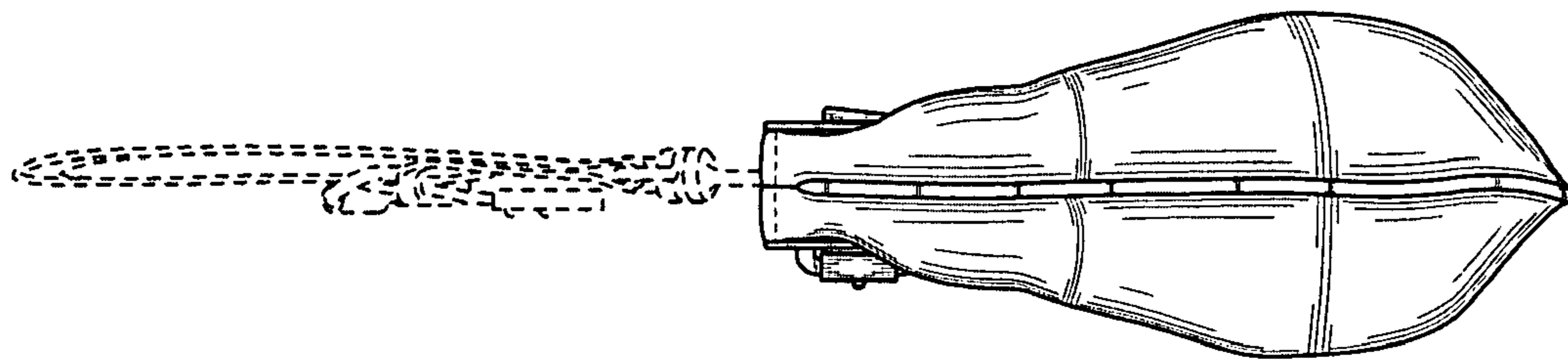


FIG. 5

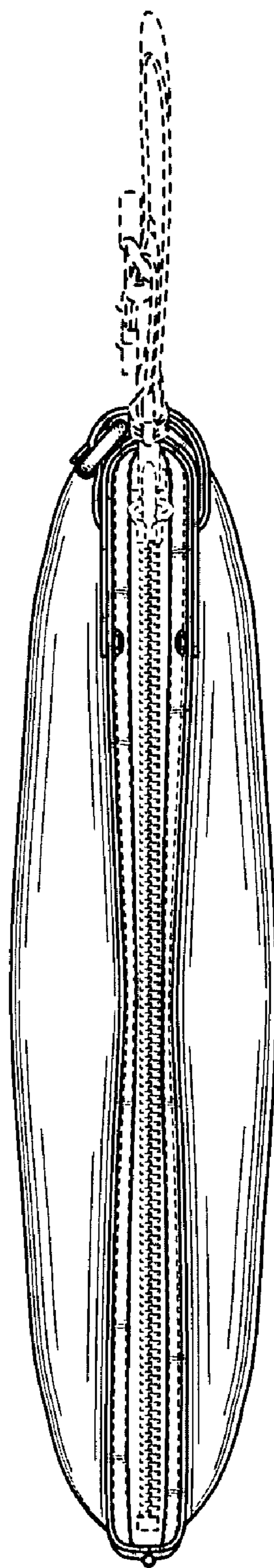


FIG. 6

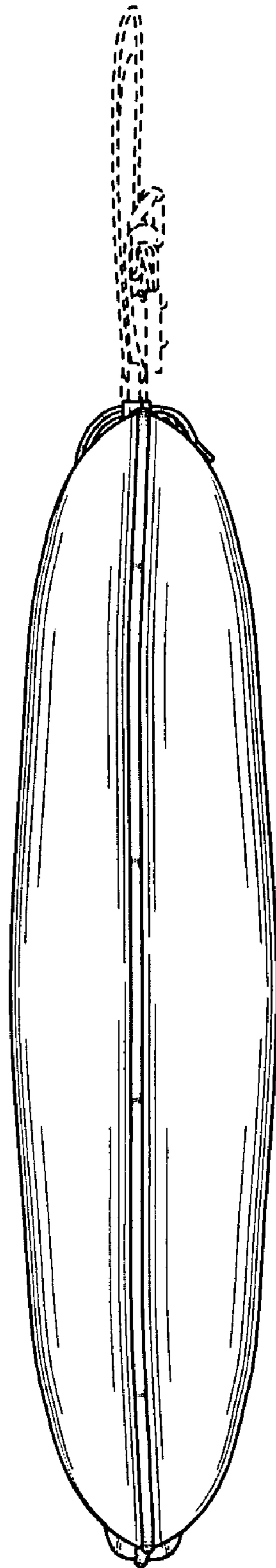


FIG. 7

UNITED STATES PATENT AND TRADEMARK OFFICE
CERTIFICATE OF CORRECTION

PATENT NO. : Des. 582,665 S
APPLICATION NO. : 29/289275
DATED : December 16, 2008
INVENTOR(S) : Alvaro Gonzalez

Page 1 of 1

It is certified that error appears in the above-identified patent and that said Letters Patent is hereby corrected as shown below:

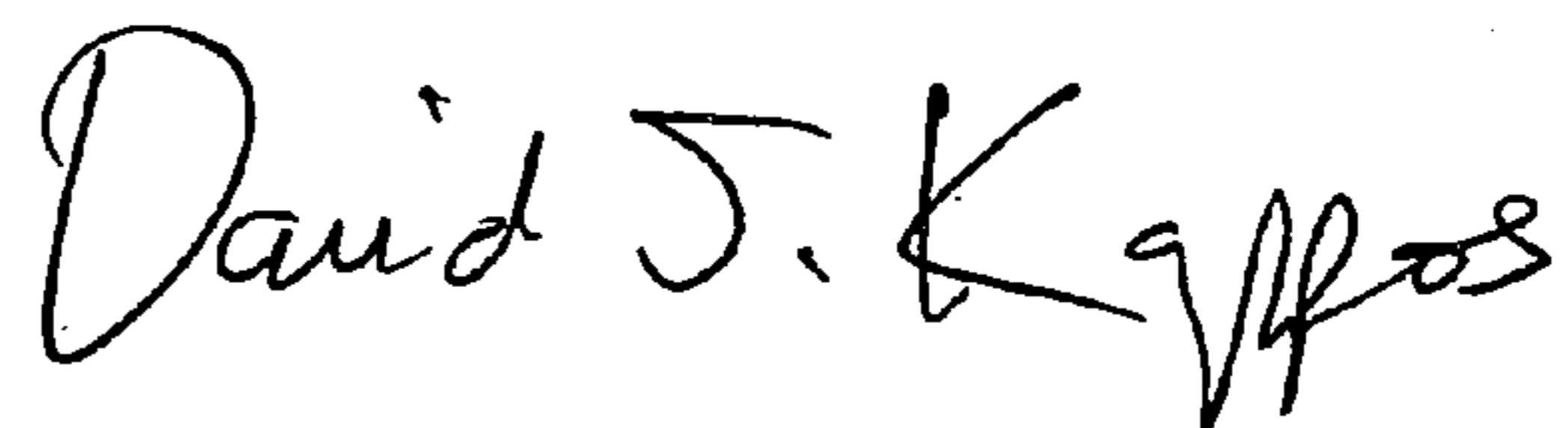
Title Page, insert

--(30) Foreign Application Priority Data

January 15, 2007 (EM)000654900-0016--.

Signed and Sealed this

Eighth Day of December, 2009



David J. Kappos
Director of the United States Patent and Trademark Office