



US00D582659S

(12) **United States Design Patent**
Katsof

(10) **Patent No.:** **US D582,659 S**

(45) **Date of Patent:** **** Dec. 16, 2008**

(54) **STATIONARY HOLDER FOR PERSONAL ELECTRONIC COMMUNICATION DEVICE (COFFIN)**

D558,973 S * 1/2008 Hussaini et al. D3/201
D569,607 S * 5/2008 Calco et al. D3/201

* cited by examiner

(75) Inventor: **Irwin Katsof**, Suffern, NY (US)

Primary Examiner—Catherine R Oliver

(73) Assignee: **Global Capital Associates, Inc.**, New York, NY (US)

(74) *Attorney, Agent, or Firm*—Greenberg Traurig, P.A.

(**) Term: **14 Years**

(57) **CLAIM**

(21) Appl. No.: **29/292,380**

I claim the design of a stationary holder for personal electronic communication device (coffin), as shown.

(22) Filed: **Oct. 10, 2007**

DESCRIPTION

(51) **LOC (8) Cl.** **03-01**

FIG. 1 is a right side perspective view of the stationary holder for personal electronic communication device (coffin) with the top lid closed;

(52) **U.S. Cl.** **D3/201**

FIG. 2 is a top plan view thereof;

(58) **Field of Classification Search** D3/201,
D3/215, 218, 226, 269, 272–273, 294; 206/305,
206/320; D14/434, 496, 156, 138; 455/90,
455/92, 42; 379/455; 224/901, 904, 682–683;
D99/1, 3

FIG. 3 is a rear side view thereof;

FIG. 4 is a right side view thereof;

FIG. 5 is a front side view thereof;

FIG. 6 is a left side view thereof;

See application file for complete search history.

FIG. 7 is a right side perspective view thereof, showing the top lid in open position;

FIG. 8 is a right side perspective view thereof indicating placement of a personal digital assistant (PDA); and,

FIG. 9. is a bottom side view thereof.

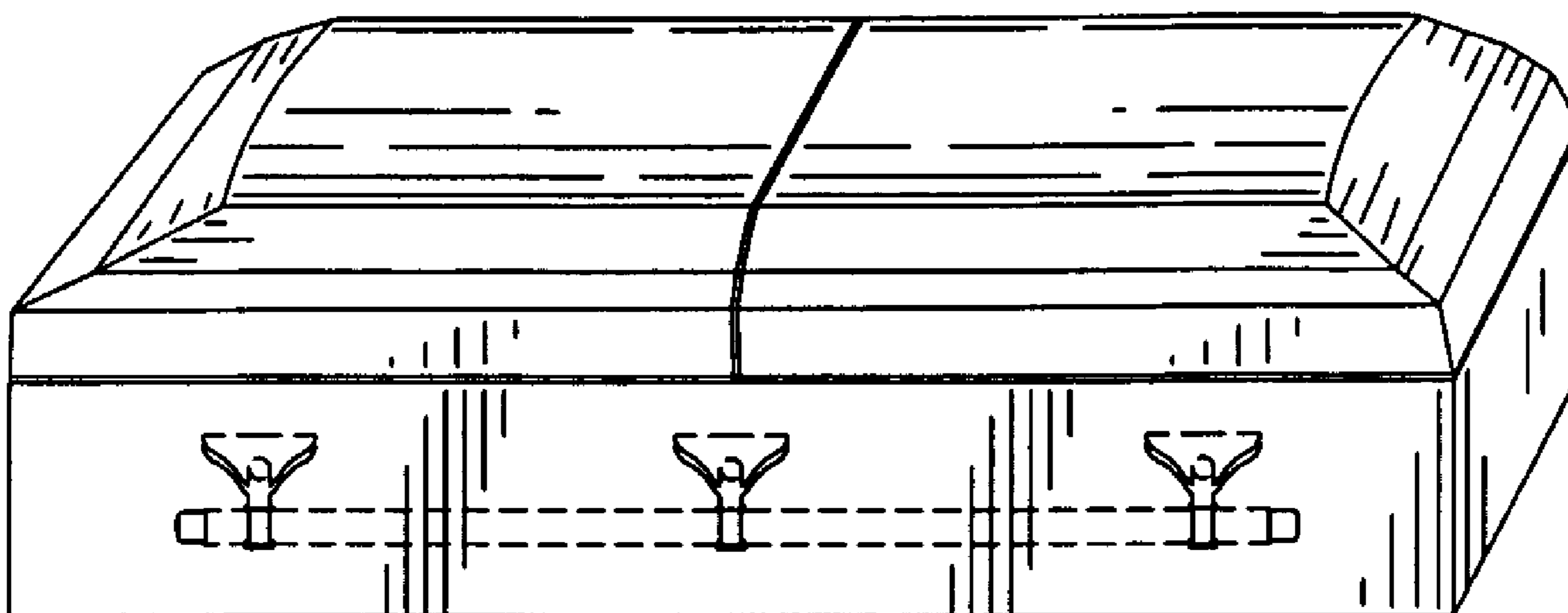
The broken line showing of environment in the drawings is included for the purpose of illustrating only and forms no part of the claimed design.

(56) **References Cited**

U.S. PATENT DOCUMENTS

D188,898 S * 9/1960 Dhority D99/3
D464,196 S * 10/2002 Parker D3/273
6,483,698 B1 11/2002 Loh
D469,097 S 1/2003 Liu
6,798,647 B2 9/2004 Dickie
6,889,057 B2 5/2005 Tordera et al.
6,961,237 B2 11/2005 Dickie
D547,544 S * 7/2007 Hussaini et al. D3/201
D551,846 S * 10/2007 Ko et al. D3/201

1 Claim, 2 Drawing Sheets



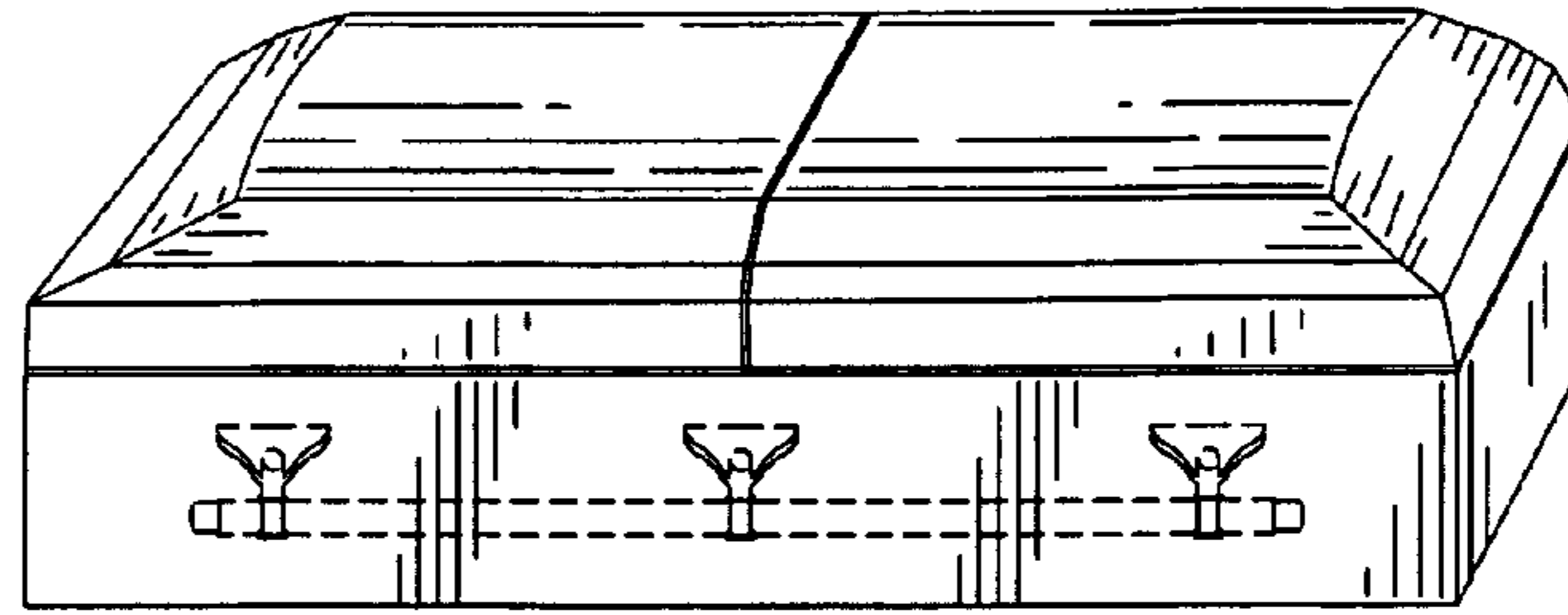


Fig. 1

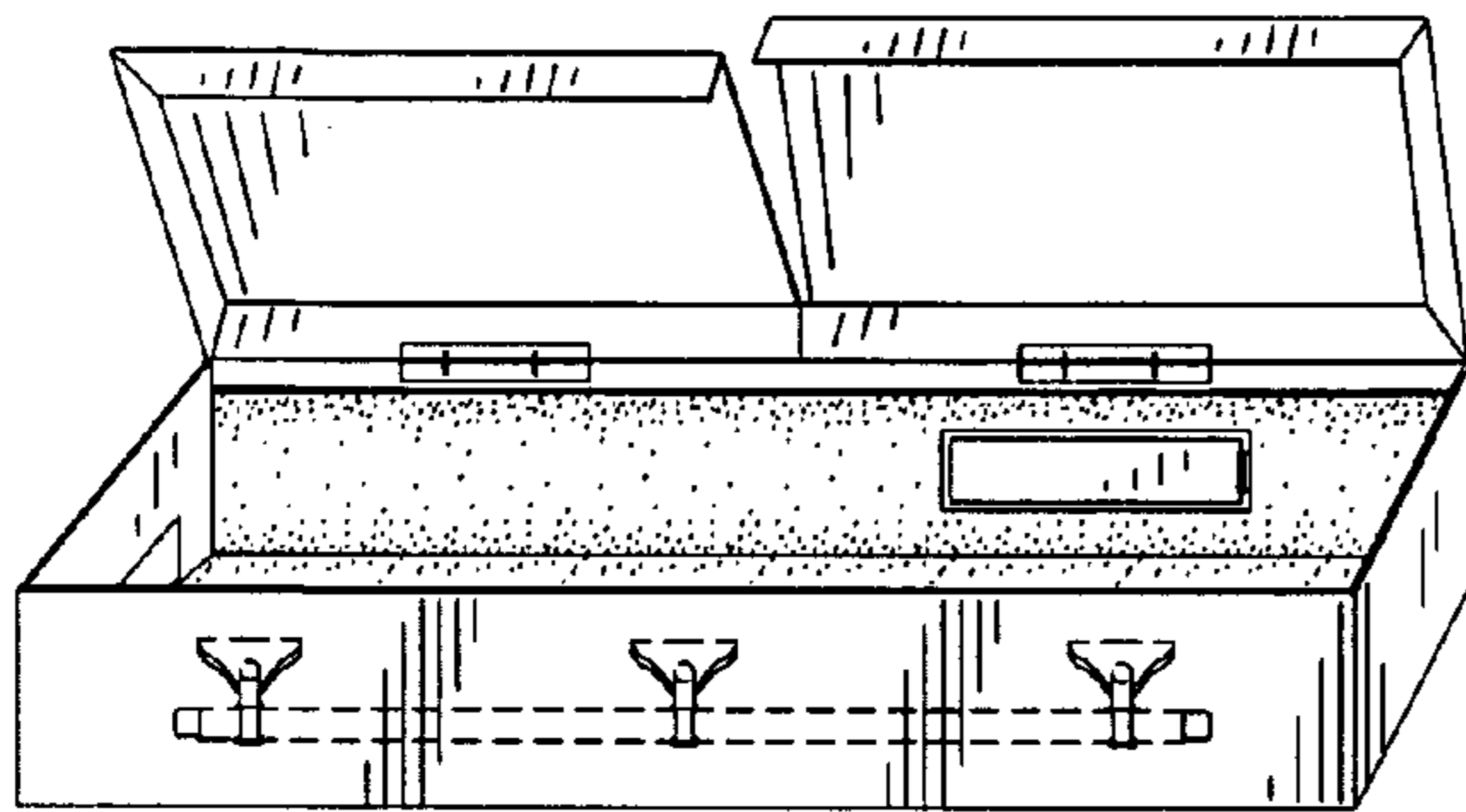


Fig. 7

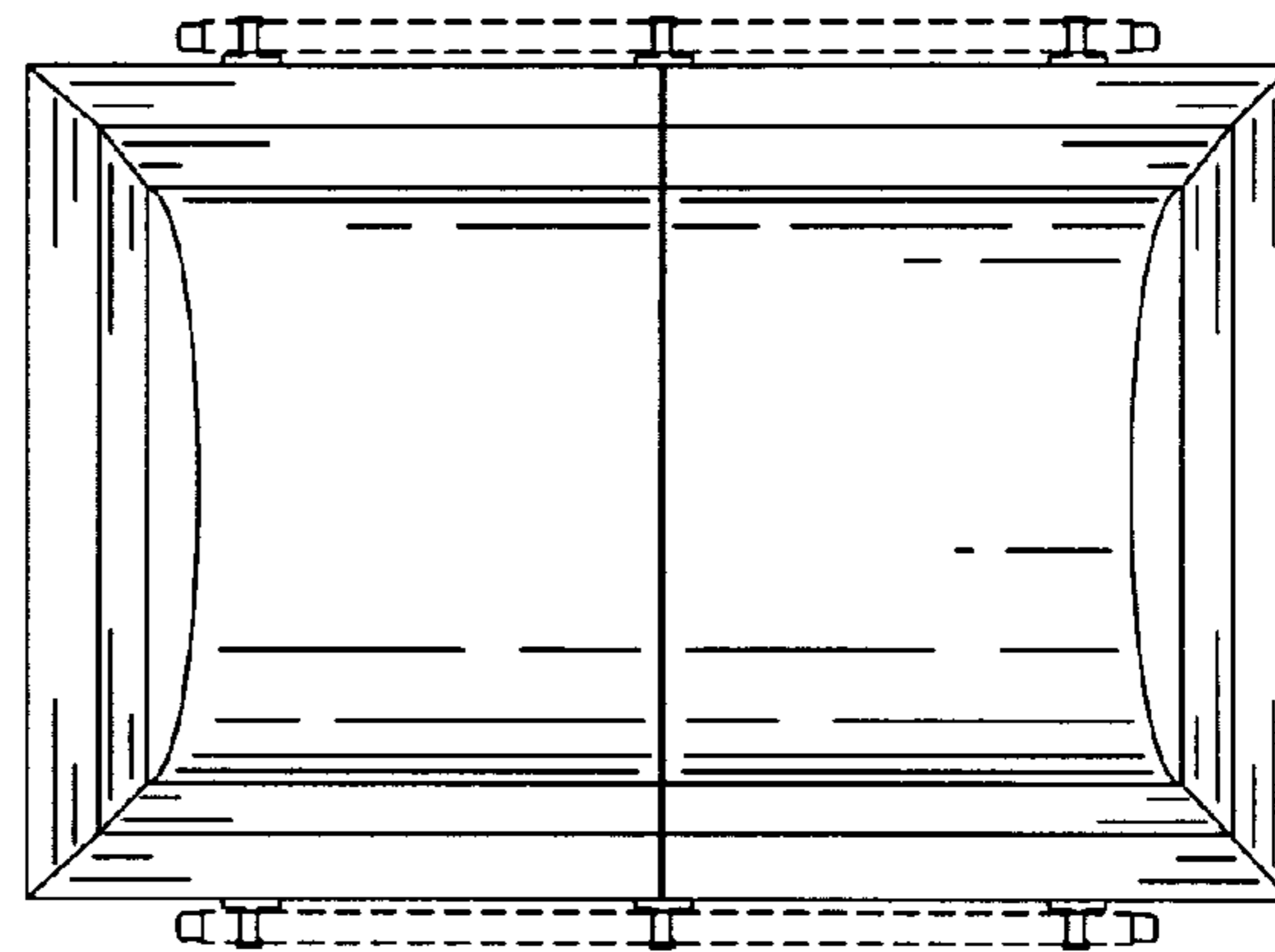


Fig. 2

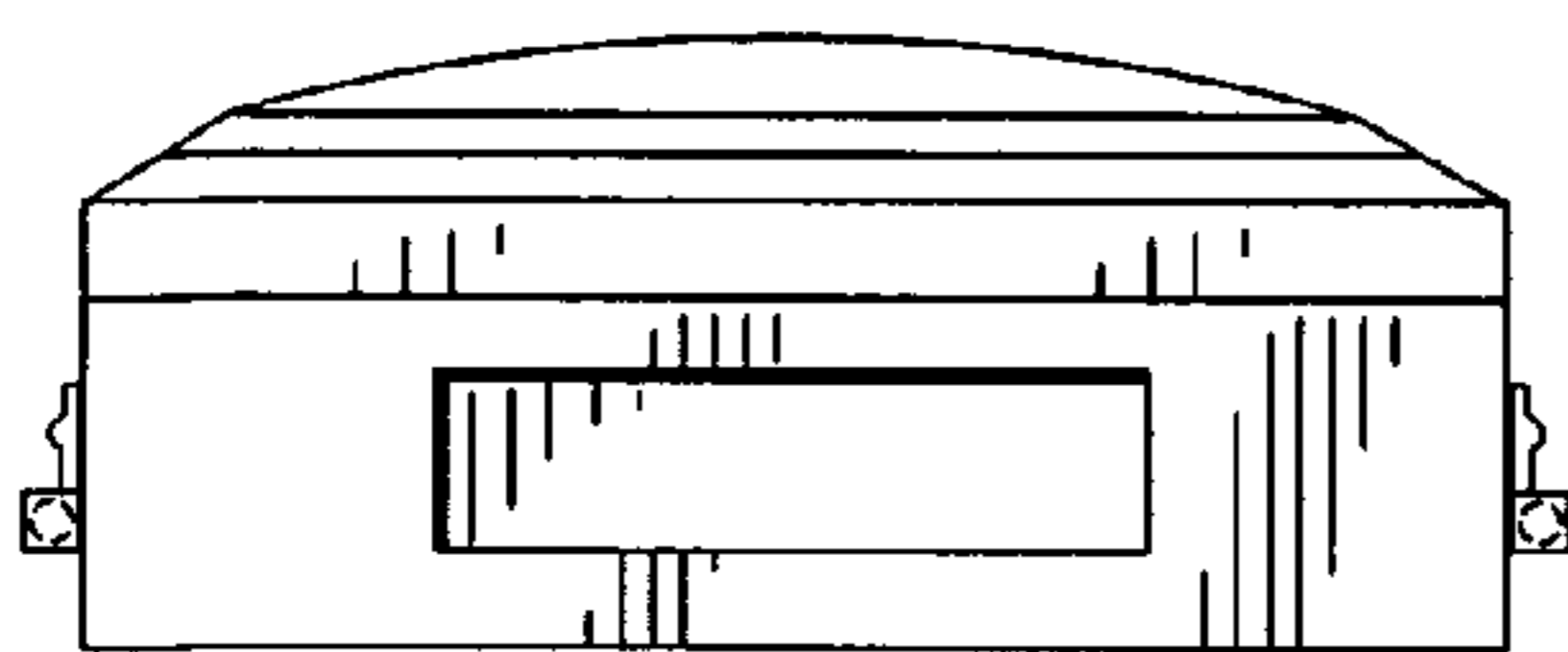


Fig. 3

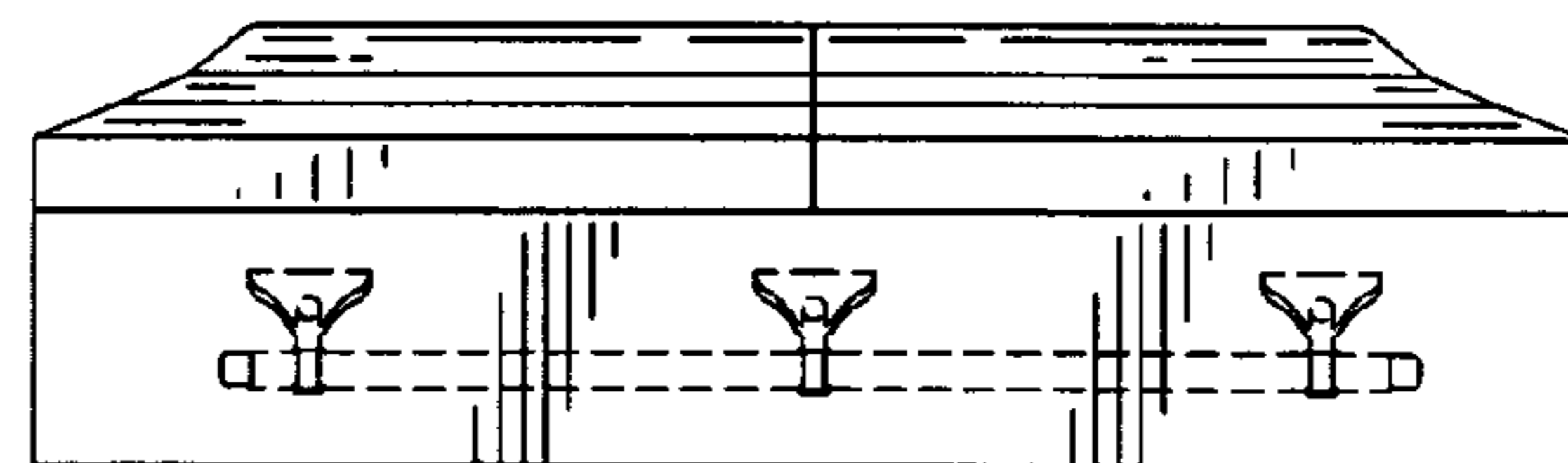


Fig. 4

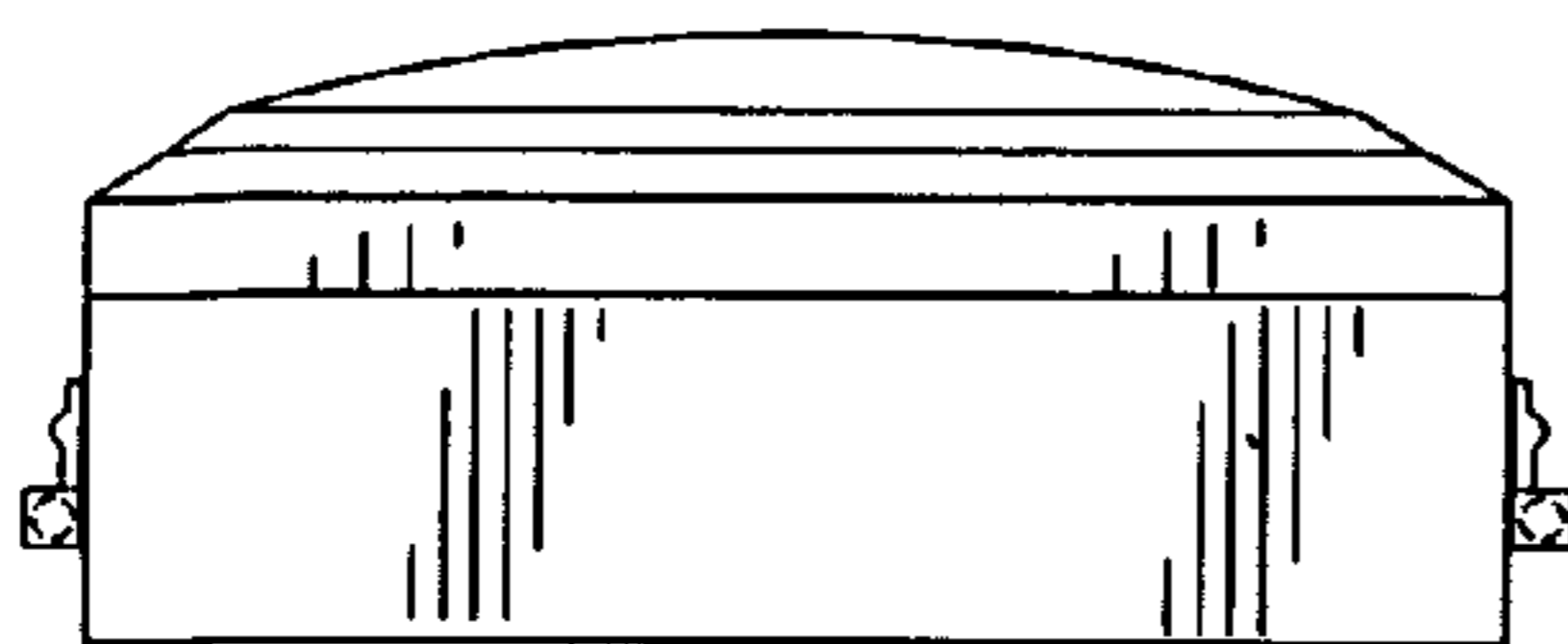


Fig. 5

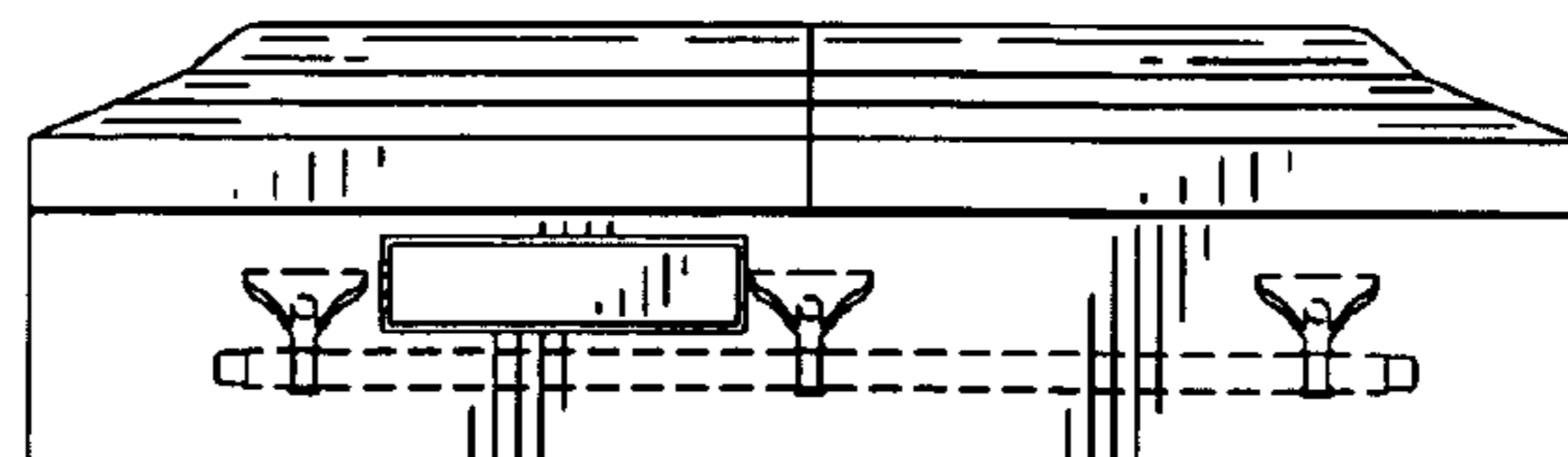


Fig. 6

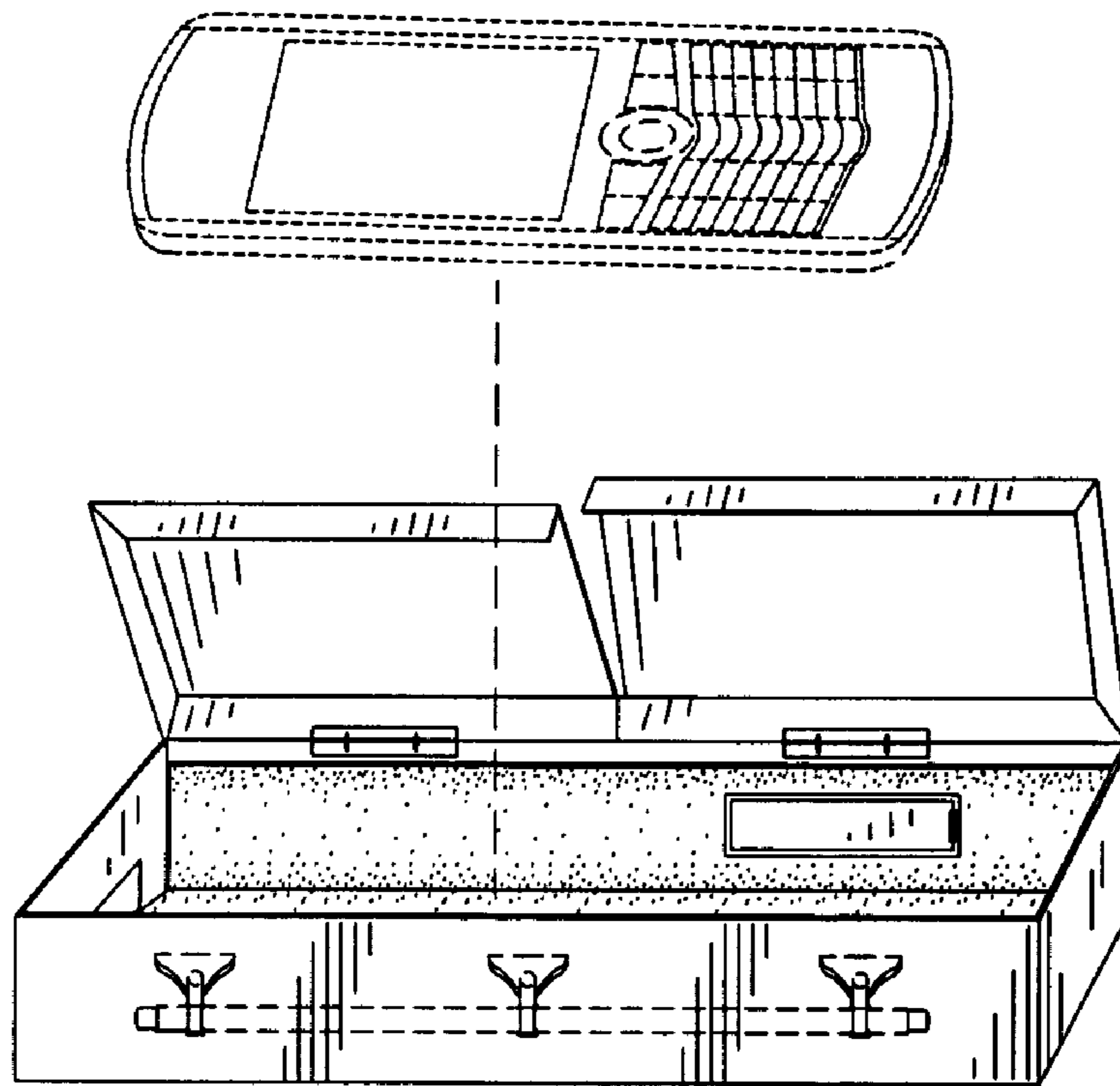


Fig. 8

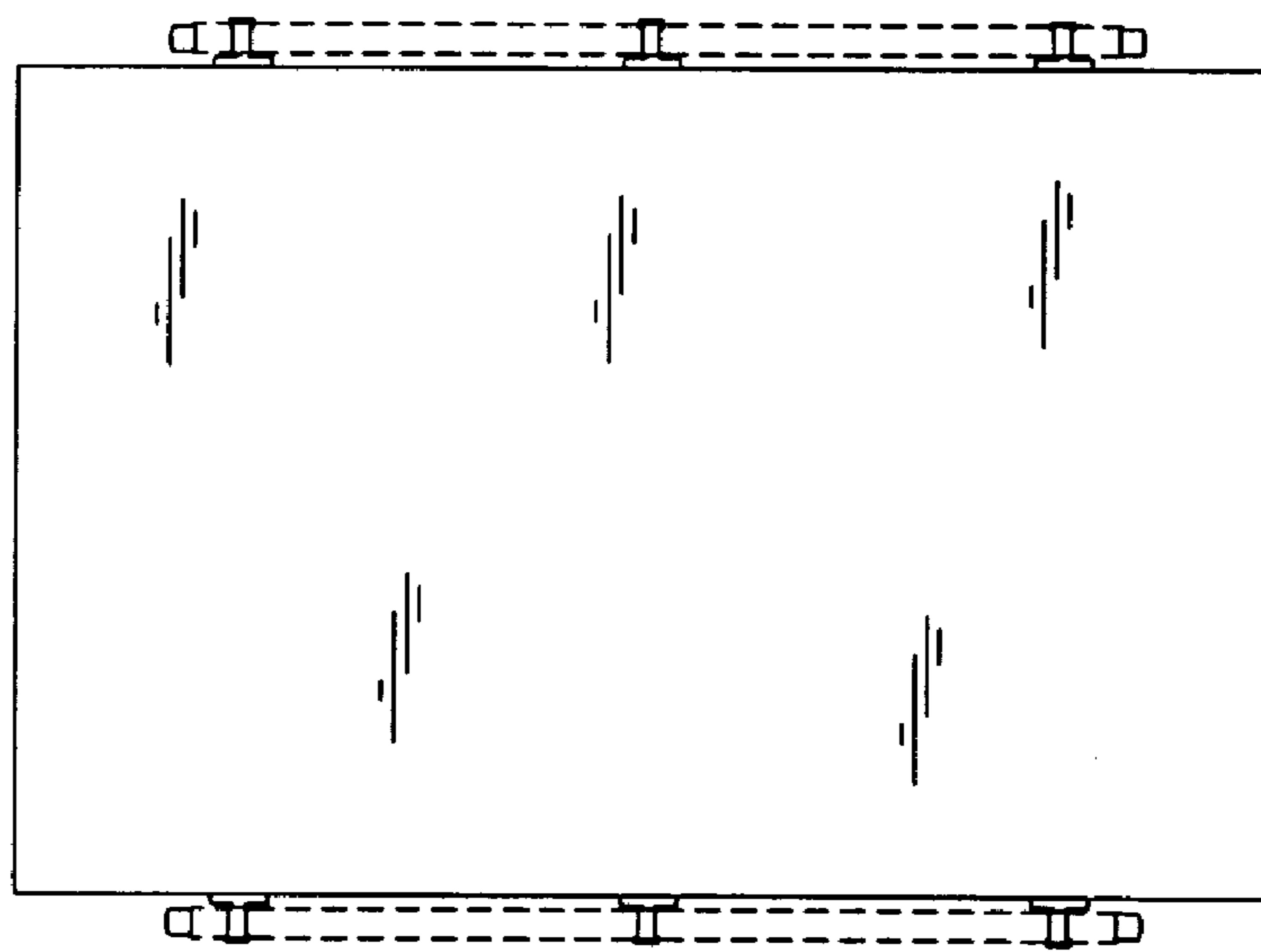


Fig. 9