



US00D582625S

(12) **United States Design Patent**
Mori et al.

(10) **Patent No.:** **US D582,625 S**
(45) **Date of Patent:** **** Dec. 9, 2008**

- (54) **FORKLIFT TRUCK**
- (75) Inventors: **Hiroki Mori**, Kariya (JP); **Tomomichi Miura**, Kariya (JP); **Masanori Shinoda**, Kariya (JP); **Takahito Miyake**, Kariya (JP)
- (73) Assignee: **Kabushiki Kaisha Toyota Jidoshokki**, Kariya-Shi (JP)

- D468,885 S 1/2003 Salin et al.
- D471,340 S 3/2003 Shibata et al.
- D471,689 S 3/2003 Shibata et al.
- D492,831 S 7/2004 Kouyama
- D518,268 S 3/2006 Stark
- D526,460 S 8/2006 Goto et al.
- D551,423 S 9/2007 Kodama et al.
- D555,872 S 11/2007 Brown
- D557,474 S 12/2007 Kouyama et al.

- (**) Term: **14 Years**
- (21) Appl. No.: **29/307,760**
- (22) Filed: **May 8, 2008**

FOREIGN PATENT DOCUMENTS

JP 1053353-2 11/1999

OTHER PUBLICATIONS

Japanese Office Action dated Jan. 5, 2007, Application No. 2006-008561 (without English translation).

Primary Examiner—Cynthia E Ramirez
(74) *Attorney, Agent, or Firm*—Morgan & Finnegan, LLP

Related U.S. Application Data

- (62) Division of application No. 29/266,924, filed on Sep. 29, 2006.

Foreign Application Priority Data

- (30) Mar. 31, 2006 (JP) 2006-008561
- Mar. 31, 2006 (JP) 2006-008562
- Mar. 31, 2006 (JP) 2006-008563

(57) **CLAIM**

The ornamental design for a forklift truck, as shown and described.

DESCRIPTION

- (51) **LOC (8) Cl.** **12-05**
 - (52) **U.S. Cl.** **D34/35; D34/34**
 - (58) **Field of Classification Search** D34/34, D34/35, 37; 180/89.12, 89.13, 89.17; 187/222, 187/237, 238, 414
- See application file for complete search history.

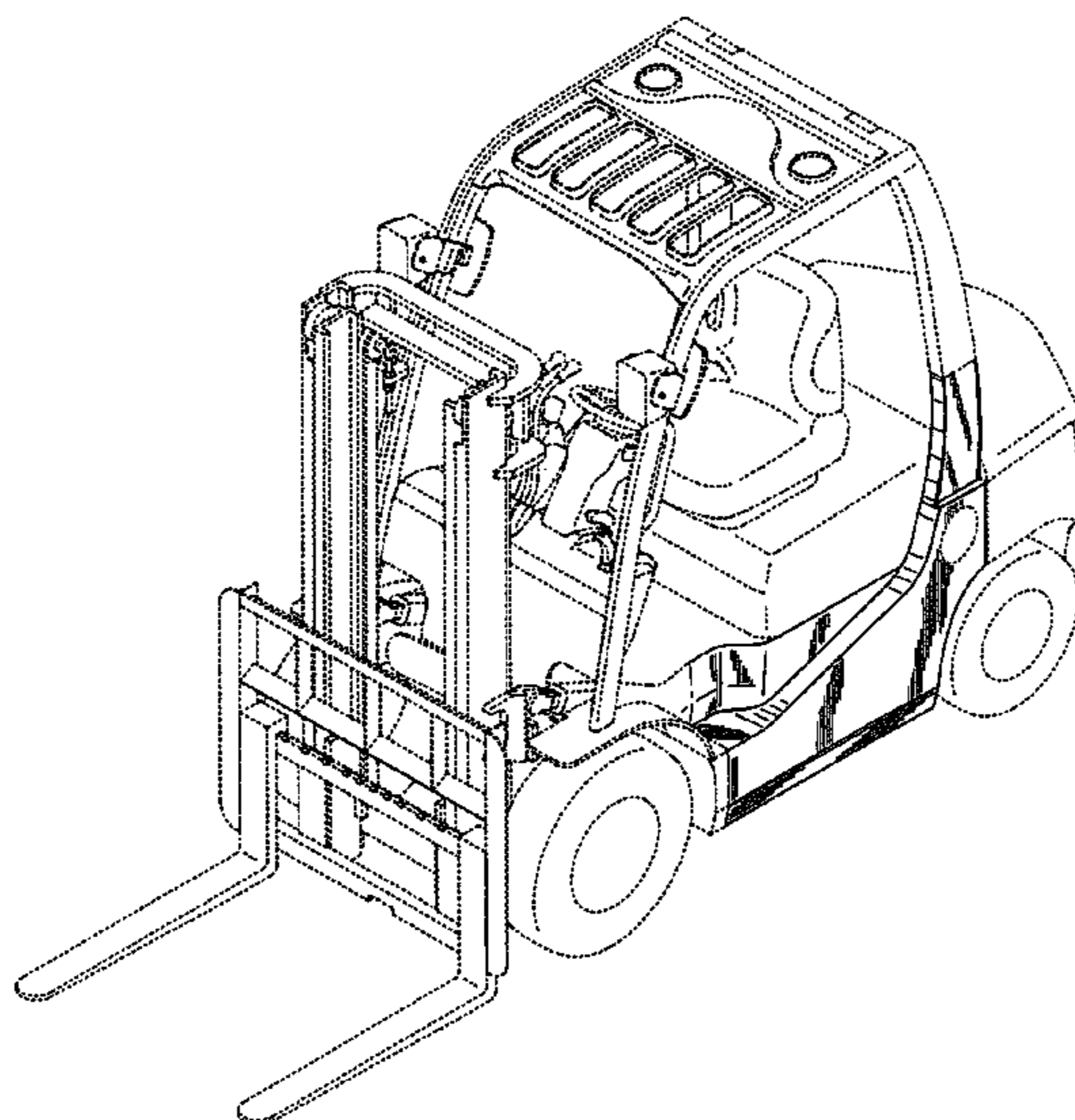
FIG. 1 is a front perspective view showing our new design;
FIG. 2 is a front perspective view thereof;
FIG. 3 is a front view thereof;
FIG. 4 is a rear view thereof;
FIG. 5 is a top plan view thereof;
FIG. 6 is a right side elevational view thereof; and,
FIG. 7 is a left side elevational view thereof.

The bottom plan view is omitted since this article is a heavy item. The broken lines are shown for illustrative purposes only and form no part of the claimed design. The dot-dashed lines denote the boundary of the claim, and form no part of the claimed design.

(56) **References Cited**
U.S. PATENT DOCUMENTS

- D412,385 S 7/1999 Murakami et al.
- D427,409 S 6/2000 Sato et al.
- D444,607 S 7/2001 Yurushi et al.
- D448,136 S 9/2001 Yurushi et al.
- D452,598 S 12/2001 Sato
- D464,784 S 10/2002 Sato
- D466,669 S 12/2002 Kraimer et al.

1 Claim, 6 Drawing Sheets



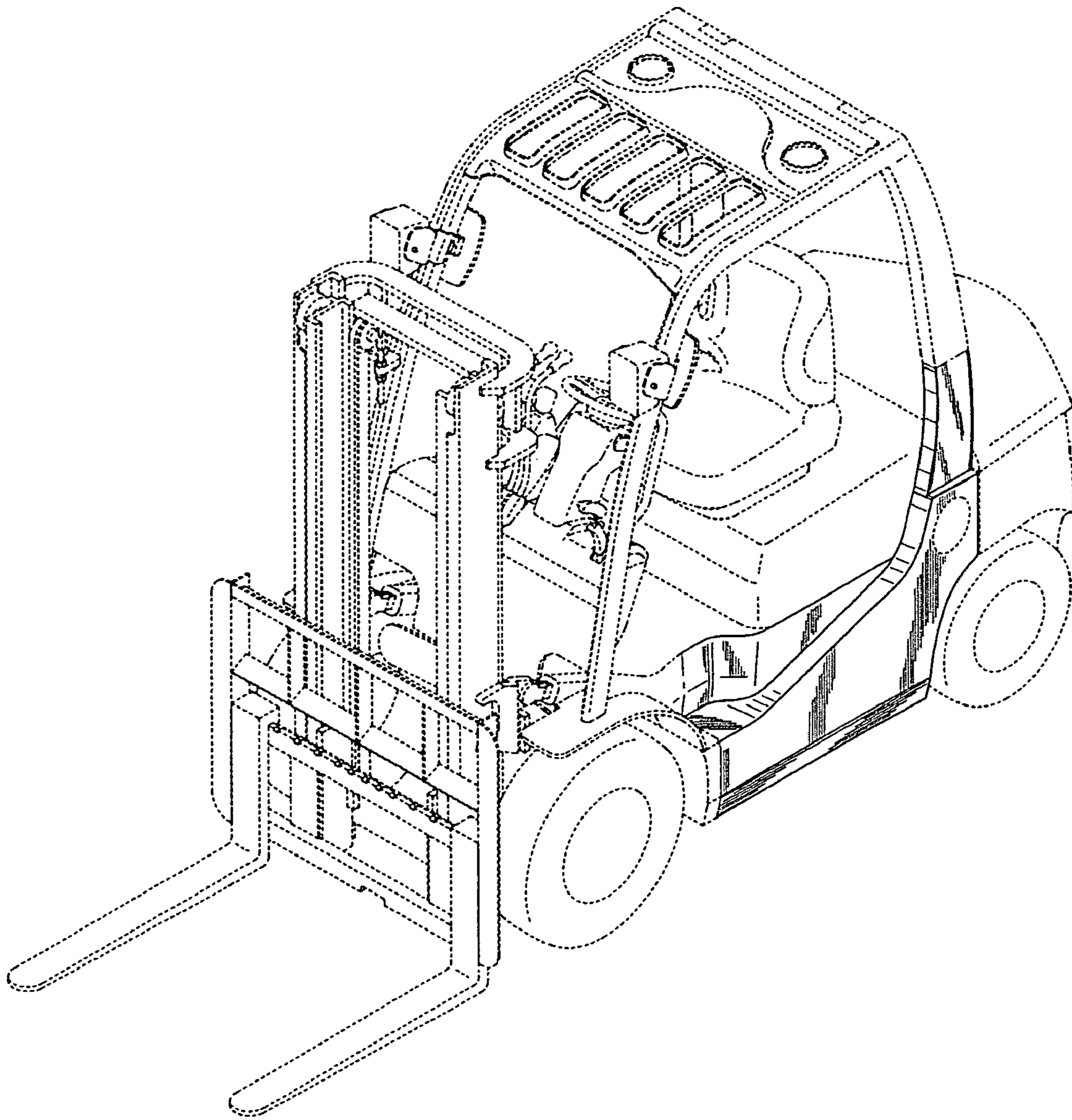


FIG. 1

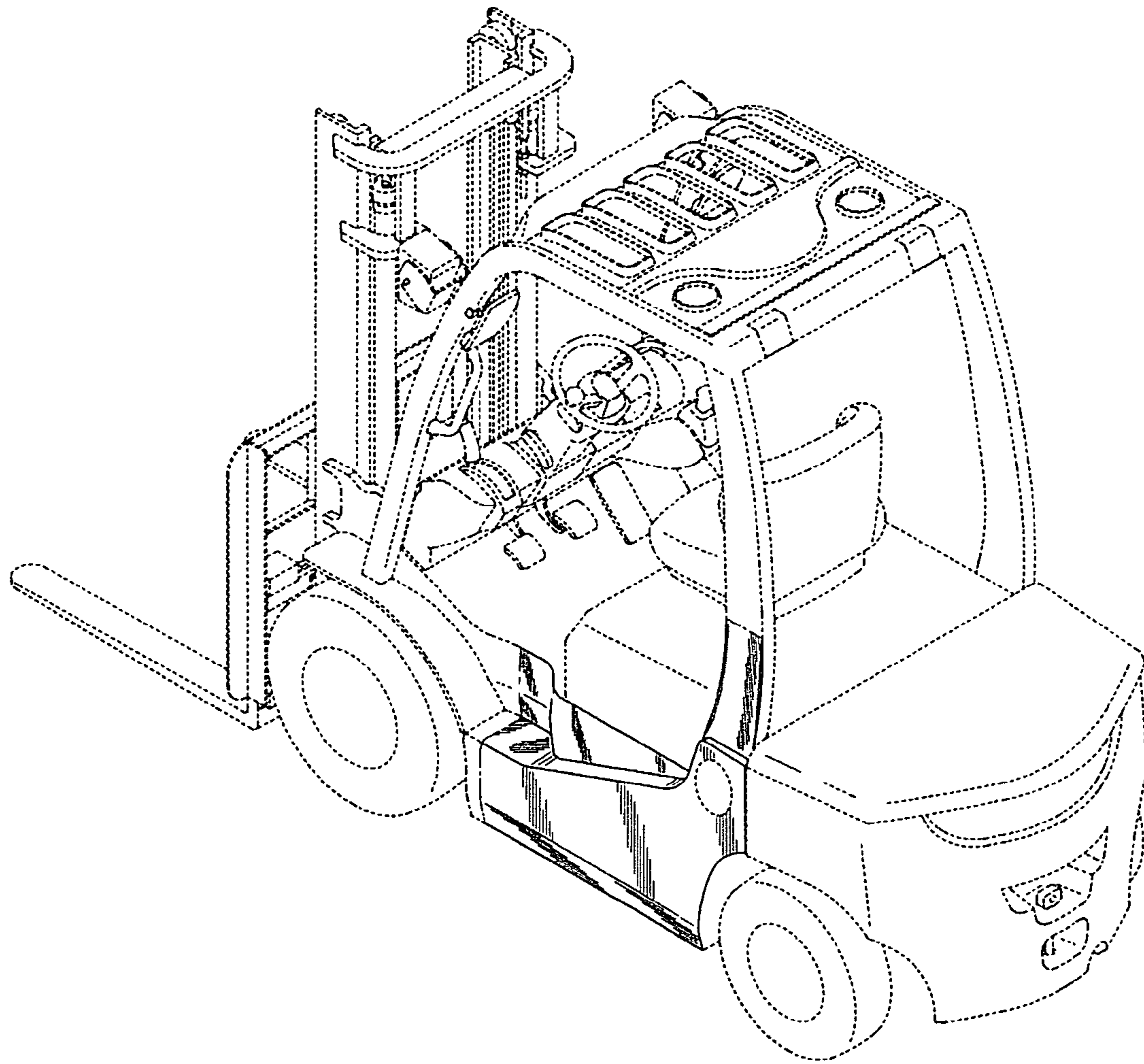


FIG. 2

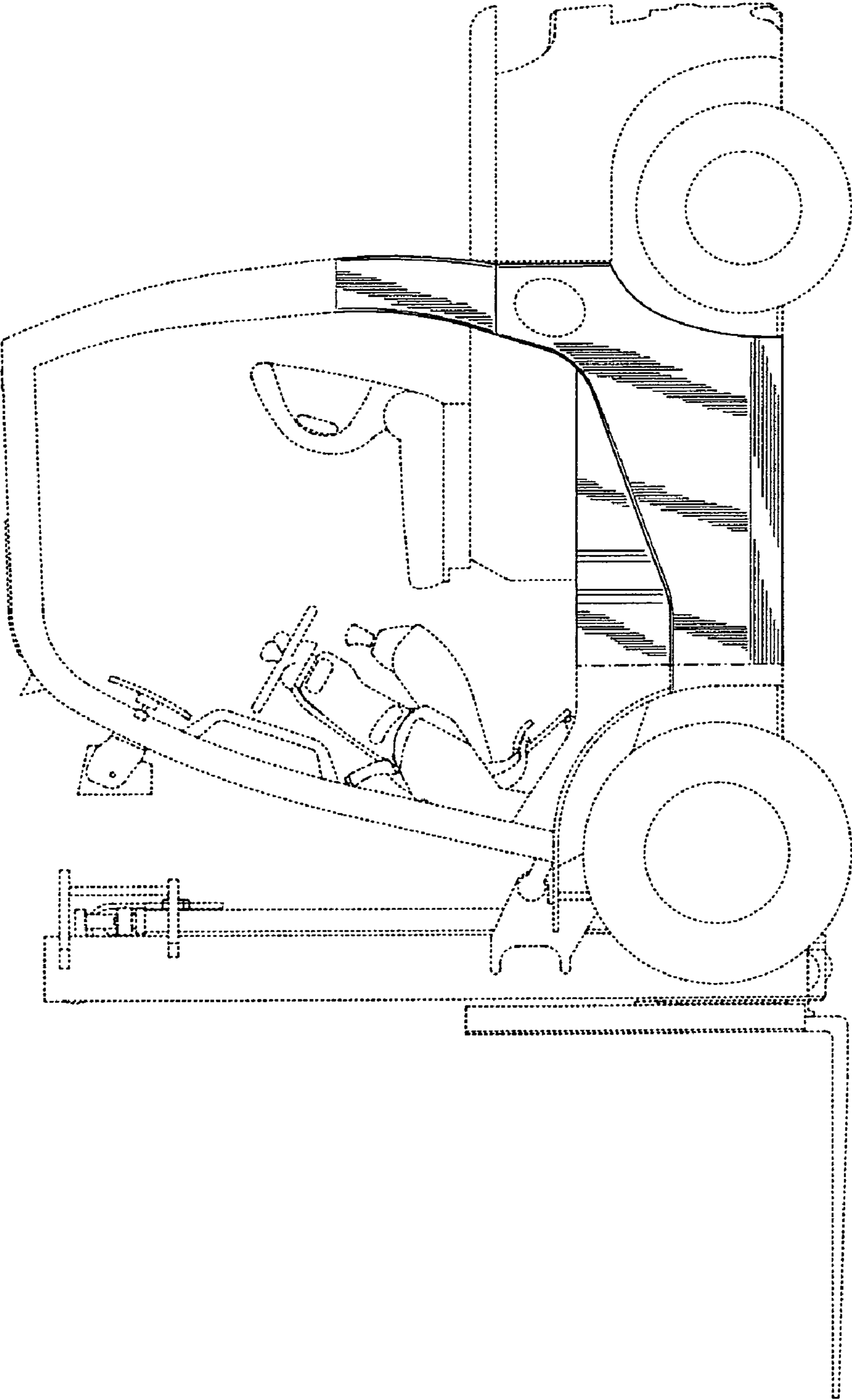


FIG. 3

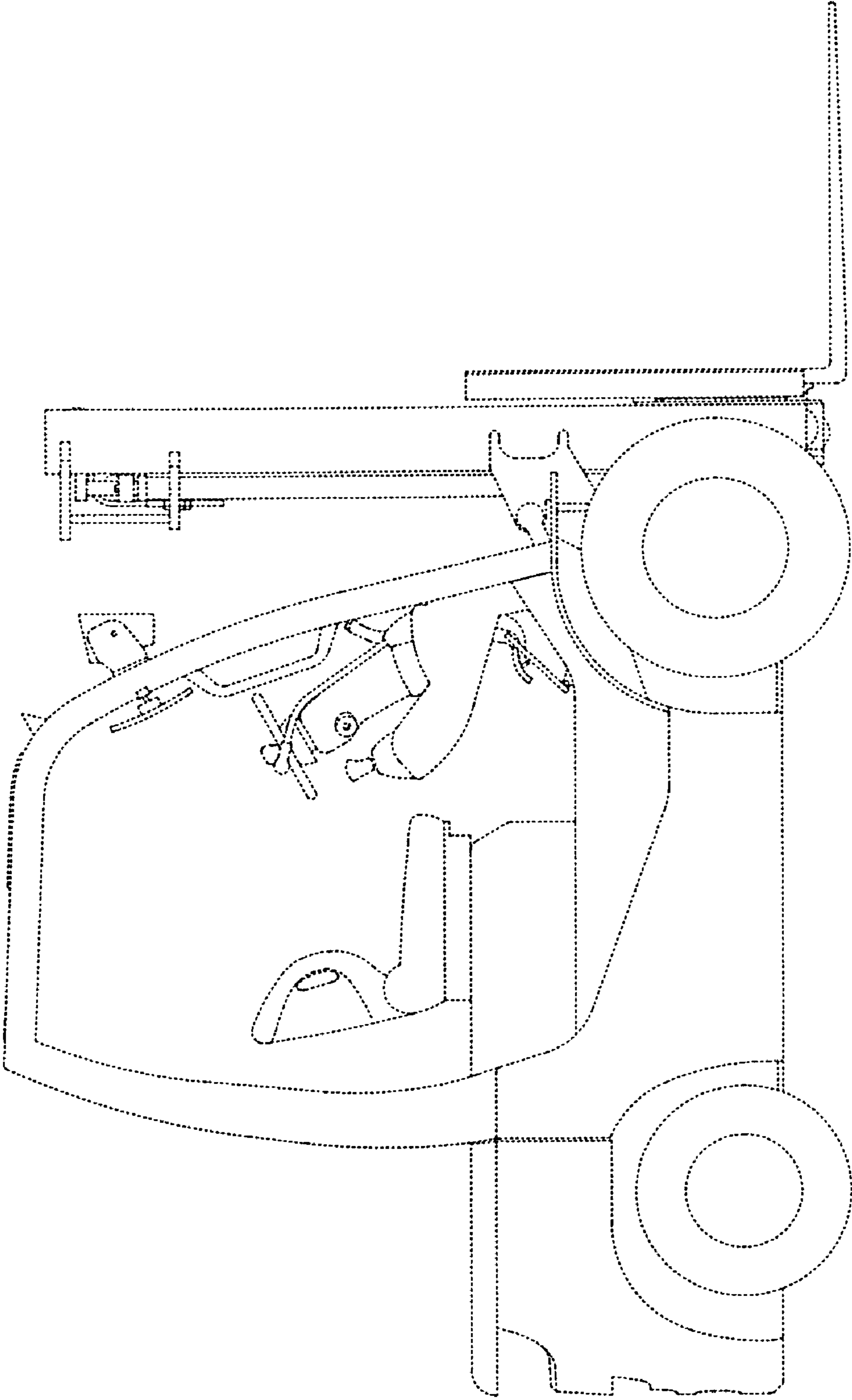


FIG. 4

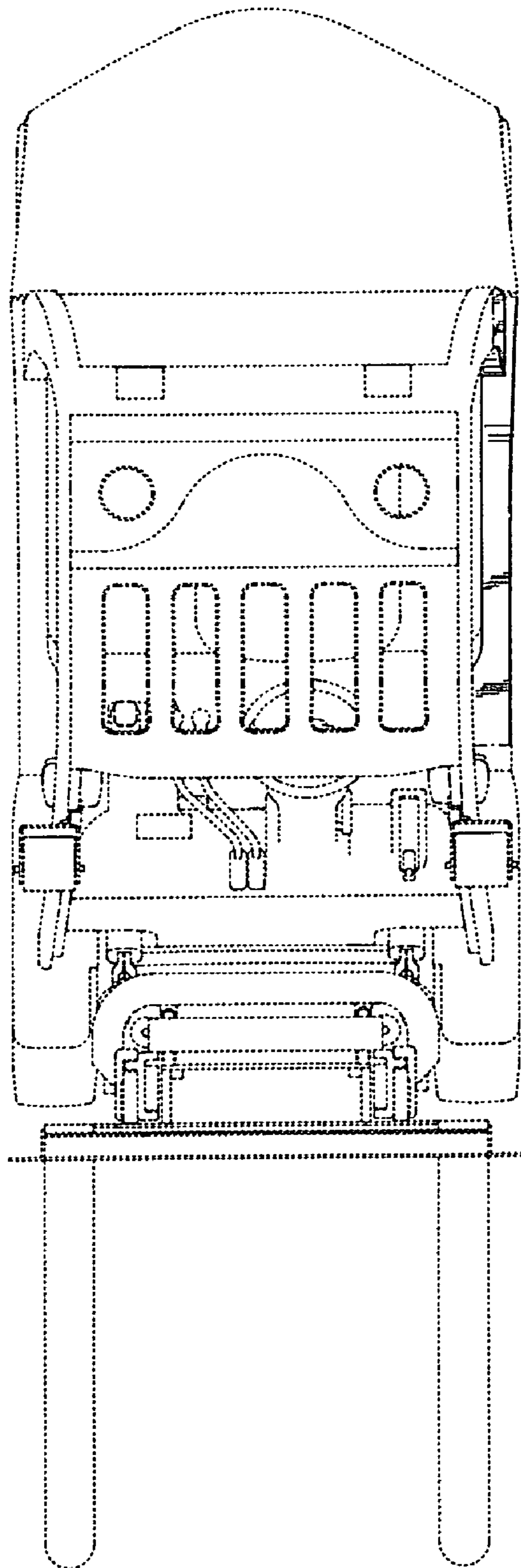


FIG. 5

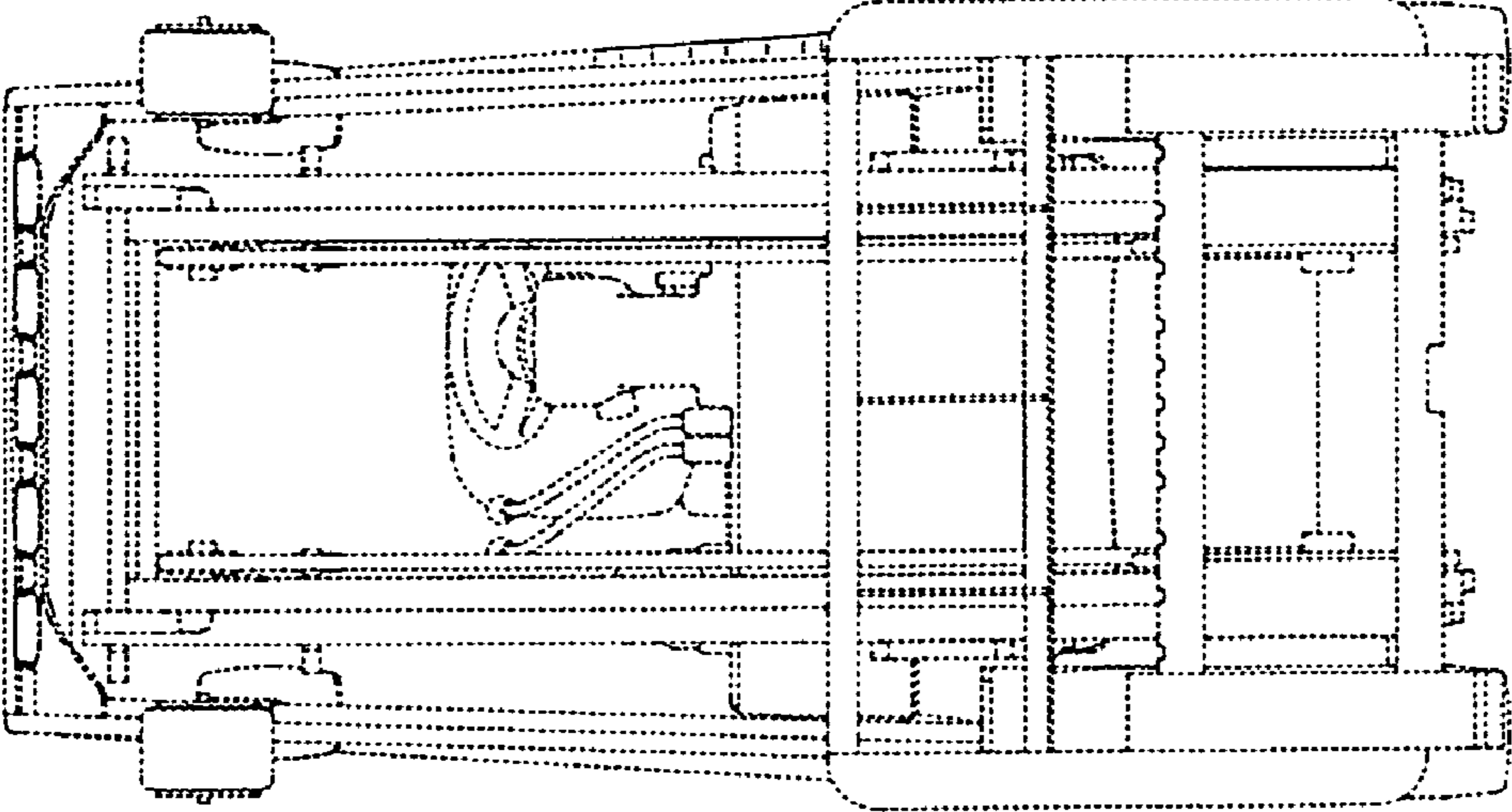


FIG. 7

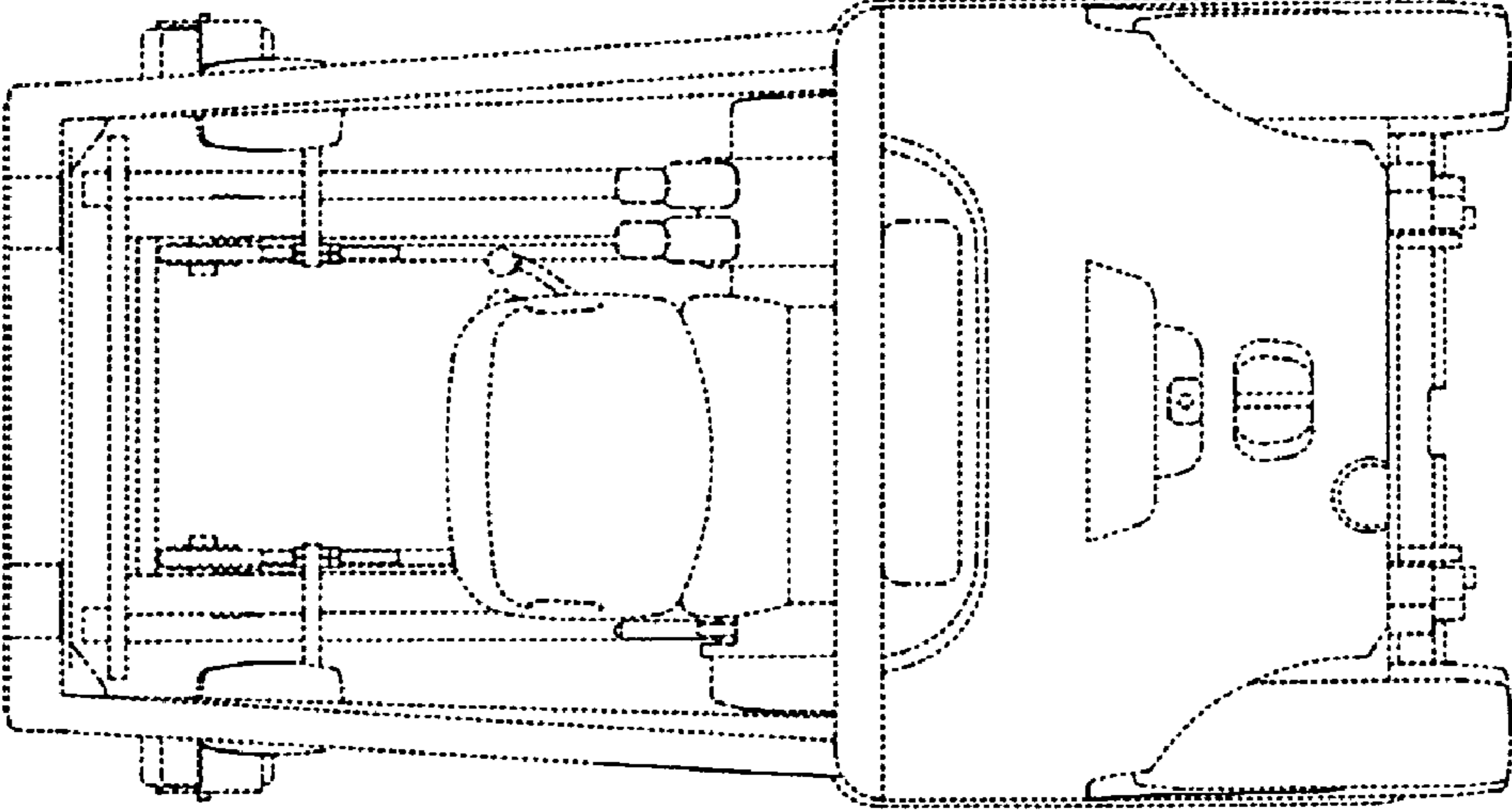


FIG. 6