



US00D582624S

(12) **United States Design Patent**
Zhang

(10) **Patent No.:** **US D582,624 S**
(45) **Date of Patent:** **** Dec. 9, 2008**

- (54) **WALL OF A JACK FOR A VEHICLE**
- (75) Inventor: **Shouyun Zhang**, Chino Hills, CA (US)
- (73) Assignee: **Larin Corporation**, Ontario, CA (US)
- (**) Term: **14 Years**
- (21) Appl. No.: **29/298,066**
- (22) Filed: **Nov. 28, 2007**

D358,923 S	5/1995	Hawkins	
D393,943 S	5/1998	Franklin et al.	
5,807,021 A	9/1998	Aaron	
D409,613 S	5/1999	McGee et al.	
D421,516 S	3/2000	Hung	
D441,093 S	4/2001	Johnson	
D453,983 S	2/2002	Lin	
D456,533 S	4/2002	Moller, Jr.	
D474,563 S	5/2003	Bresciani	
D513,809 S	1/2006	Zimmerle et al.	
D560,871 S *	1/2008	Zhang D34/31

Related U.S. Application Data

- (62) Division of application No. 29/212,173, filed on Aug. 27, 2004, now Pat. No. Des. 560,871.
- (51) **LOC (8) Cl.** **12-05**
- (52) **U.S. Cl.** **D34/31**
- (58) **Field of Classification Search** D34/31, D34/28; 254/8 B, 8 R, 2 R, 93 H, 124, DIG. 1, 254/126, 134; D25/138, 152, 157, 158, 159, D25/163, 119, 120, 125, 145, 199
See application file for complete search history.

References Cited

U.S. PATENT DOCUMENTS

D95,158 S	4/1935	Surerus
D181,432 S	11/1957	Murray
D272,670 S	2/1984	Tsujimura
D284,417 S	6/1986	Yamagishi
4,787,556 A	11/1988	Heisson

* cited by examiner

Primary Examiner—Cynthia E Ramirez

(74) *Attorney, Agent, or Firm*—Greenberg Traurig, LLP

(57) **CLAIM**

The ornamental design for a wall of a jack for a vehicle, as shown and described.

DESCRIPTION

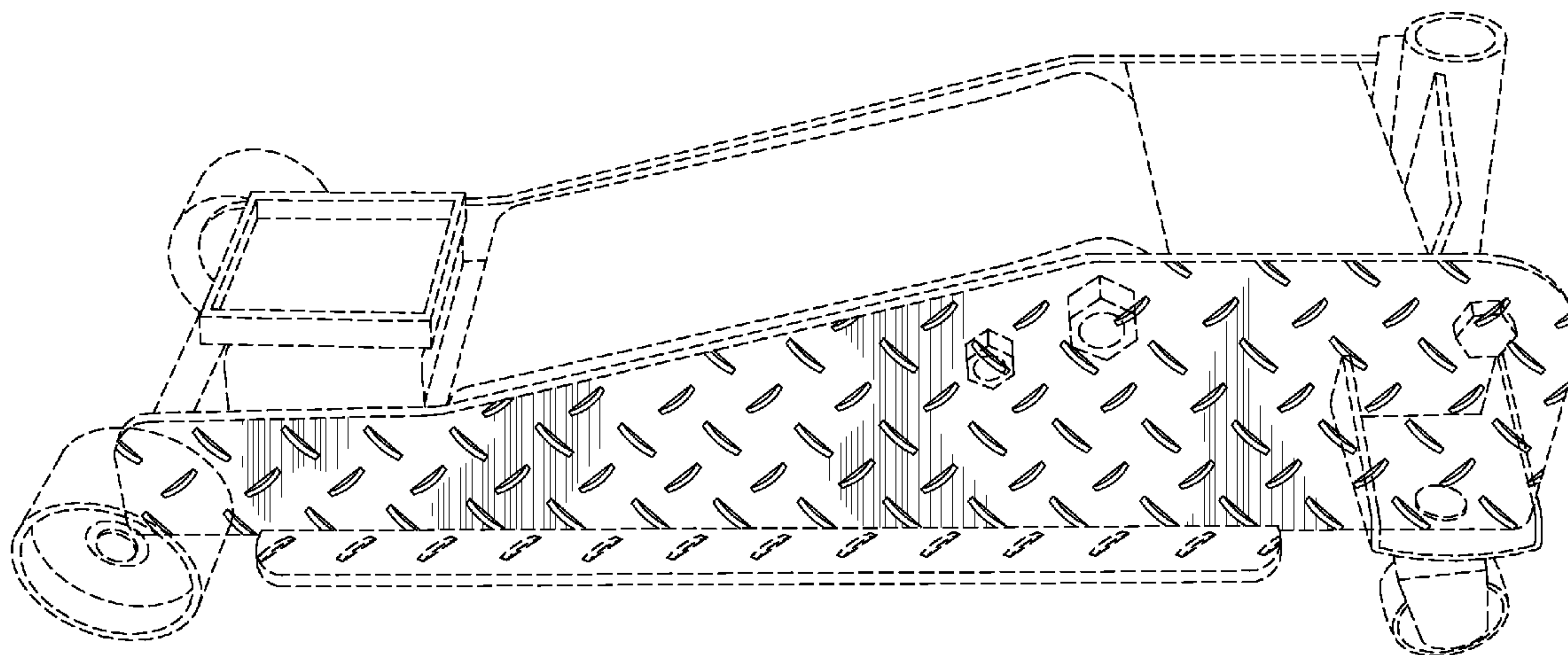
FIG. 1 is a perspective view of a wall of a jack for a vehicle showing my new design; and,

FIG. 2 is a side view thereof.

Broken lines are for illustrative purposes only and form no part of the claimed design.

The broken line(s) which define the bounds of the claimed design form no part thereof.

1 Claim, 2 Drawing Sheets



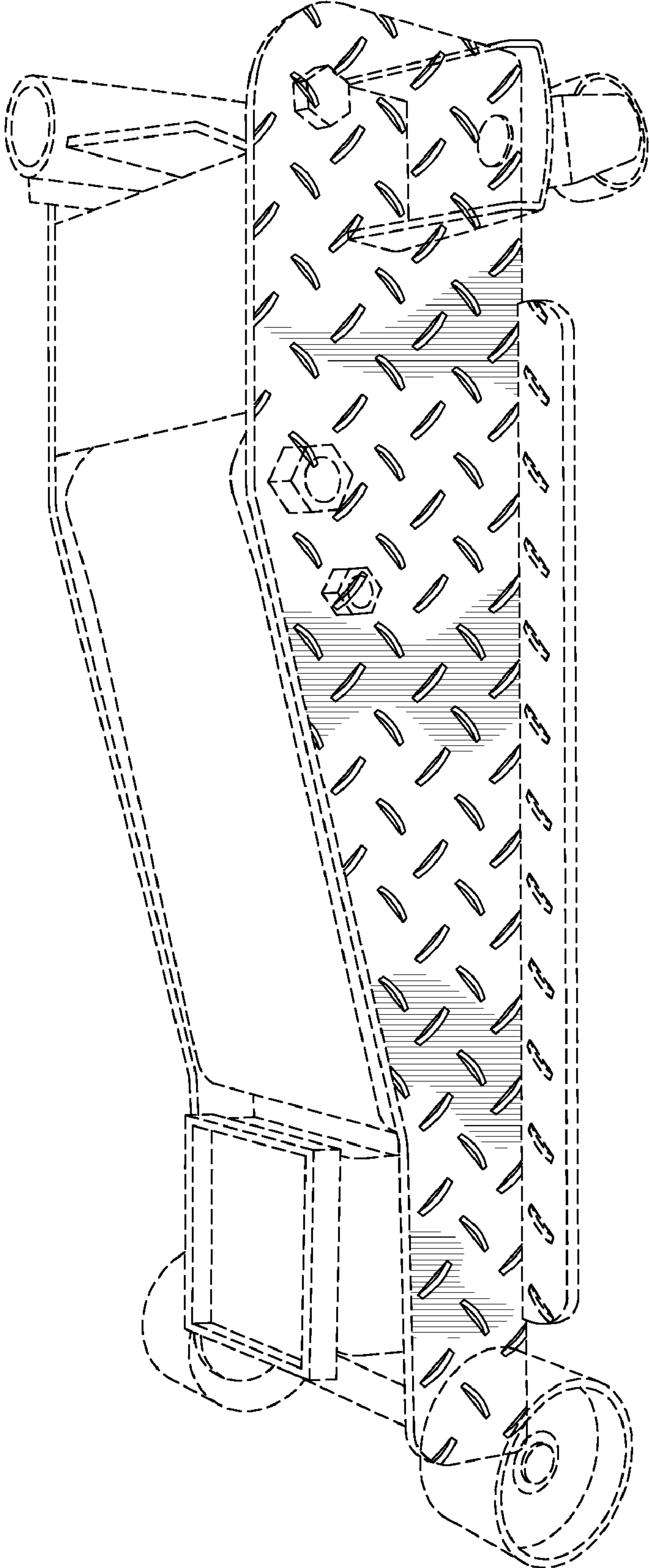


FIG. 1

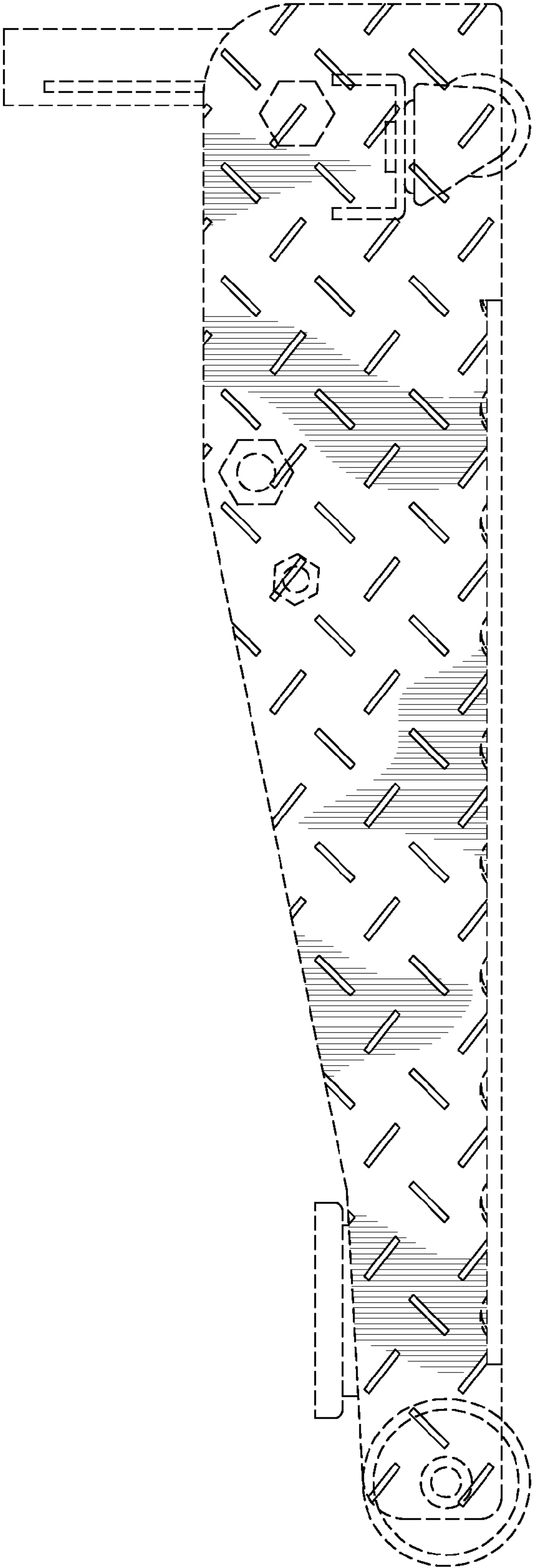


FIG. 2