



US00D582623S

(12) **United States Design Patent**
Qian et al.

(10) **Patent No.:** **US D582,623 S**

(45) **Date of Patent:** **** Dec. 9, 2008**

(54) **ADJUSTABLE SADDLE FLOOR JACK**

(76) Inventors: **Yufeng Qian**, Changshu Tongrun, New Long Teng Industry Area, Changshu Economy Development Zone, Changshu, Jiangsu Province (CN) 215500; **Jiang Chen**, Changshu Tongrun, New Long Teng Industry Area, Changshu Economy Development Zone, Changshu, Jiangsu Province (CN) 215500

(**) Term: **14 Years**

(21) Appl. No.: **29/283,165**

(22) Filed: **Aug. 7, 2007**

(51) **LOC (8) Cl.** **12-05**

(52) **U.S. Cl.** **D34/31**

(58) **Field of Classification Search** D34/28, D34/31, 33; 254/8 B, 84, 11, 93 H, 2 B, 254/88, DIG. 3, 45, 94

See application file for complete search history.

(56) **References Cited**

U.S. PATENT DOCUMENTS

5,201,494 A * 4/1993 Lundman 254/8 B
D358,923 S * 5/1995 Hawkins D34/31

D388,926 S * 1/1998 Sorensen D34/31
D421,516 S * 3/2000 Hung D34/31
D453,983 S * 2/2002 Lin D34/31
D548,922 S * 8/2007 Hernandez D34/31

* cited by examiner

Primary Examiner—Cynthia E Ramirez
(74) *Attorney, Agent, or Firm*—Ladas & Parry LLP

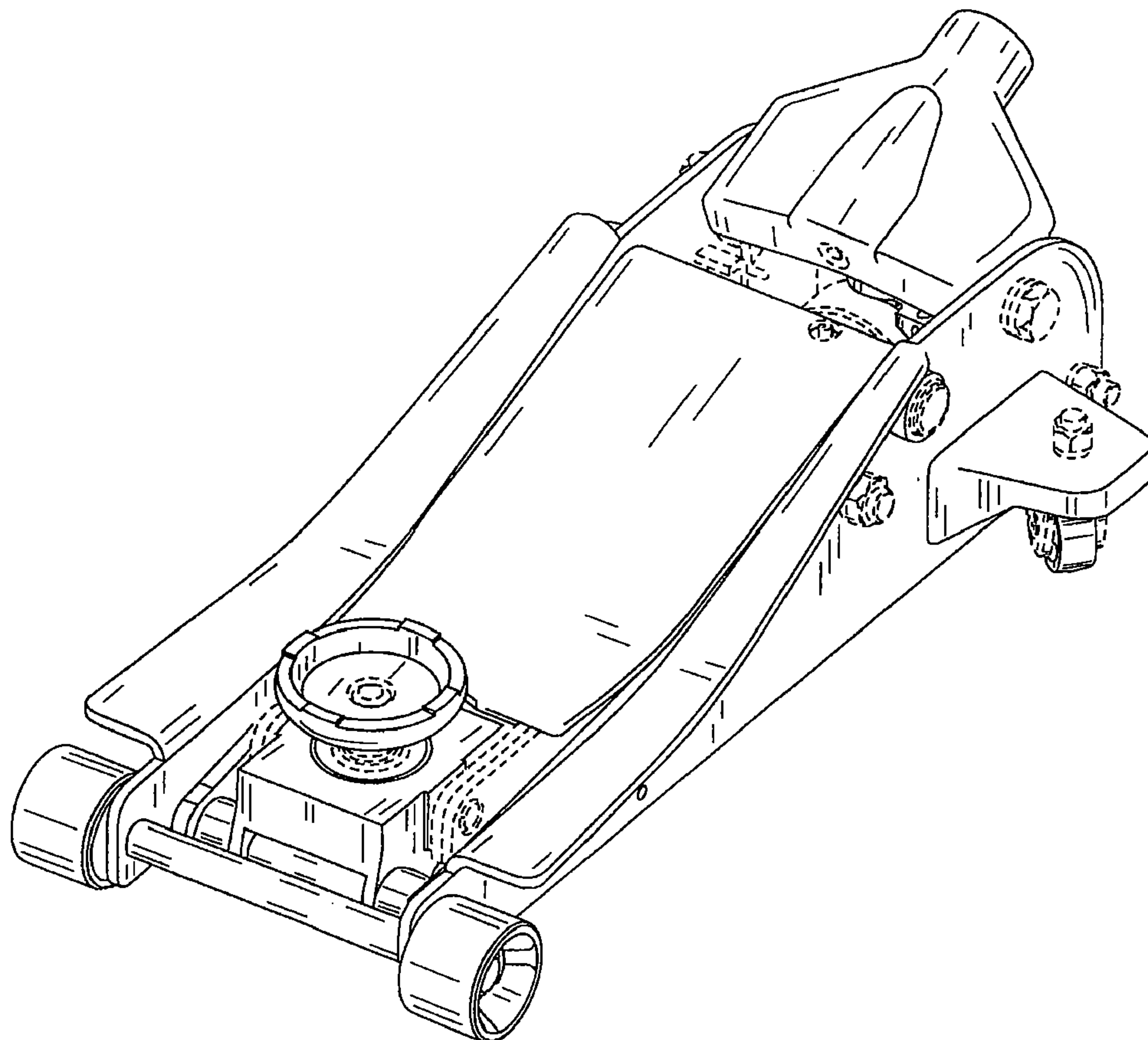
(57) **CLAIM**

The ornamental design for an adjustable saddle floor jack, as shown and described.

DESCRIPTION

FIG. 1 is a perspective view of an adjustable saddle floor jack showing our new design;
FIG. 2 is a top plan view thereof;
FIG. 3 is a left side view thereof;
FIG. 4 is a right side view thereof;
FIG. 5 is a front view thereof;
FIG. 6 is a rear view thereof; and,
FIG. 7 is a perspective view thereof showing the saddle portion adjusted to a lowered position of use.

1 Claim, 4 Drawing Sheets



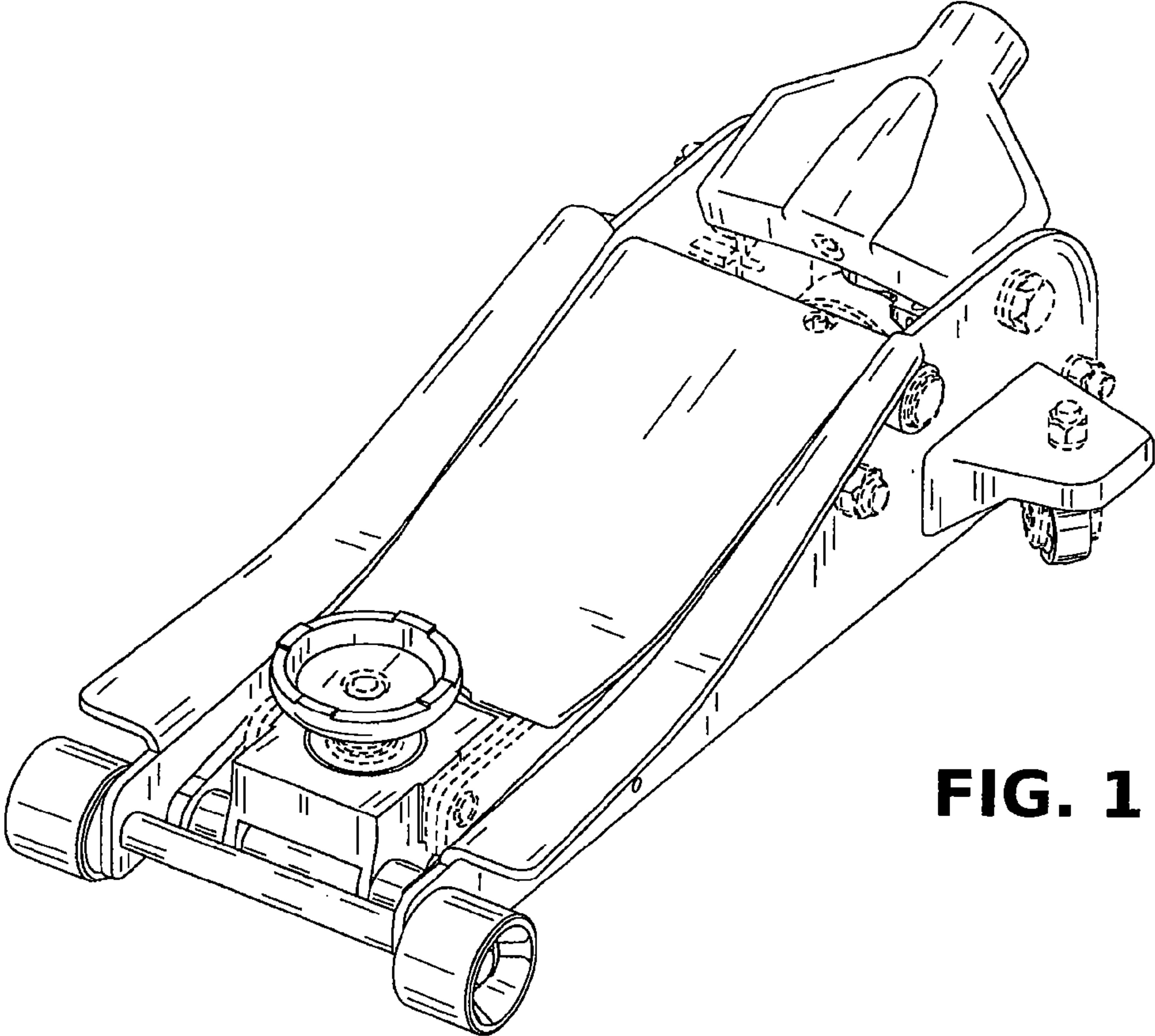


FIG. 1

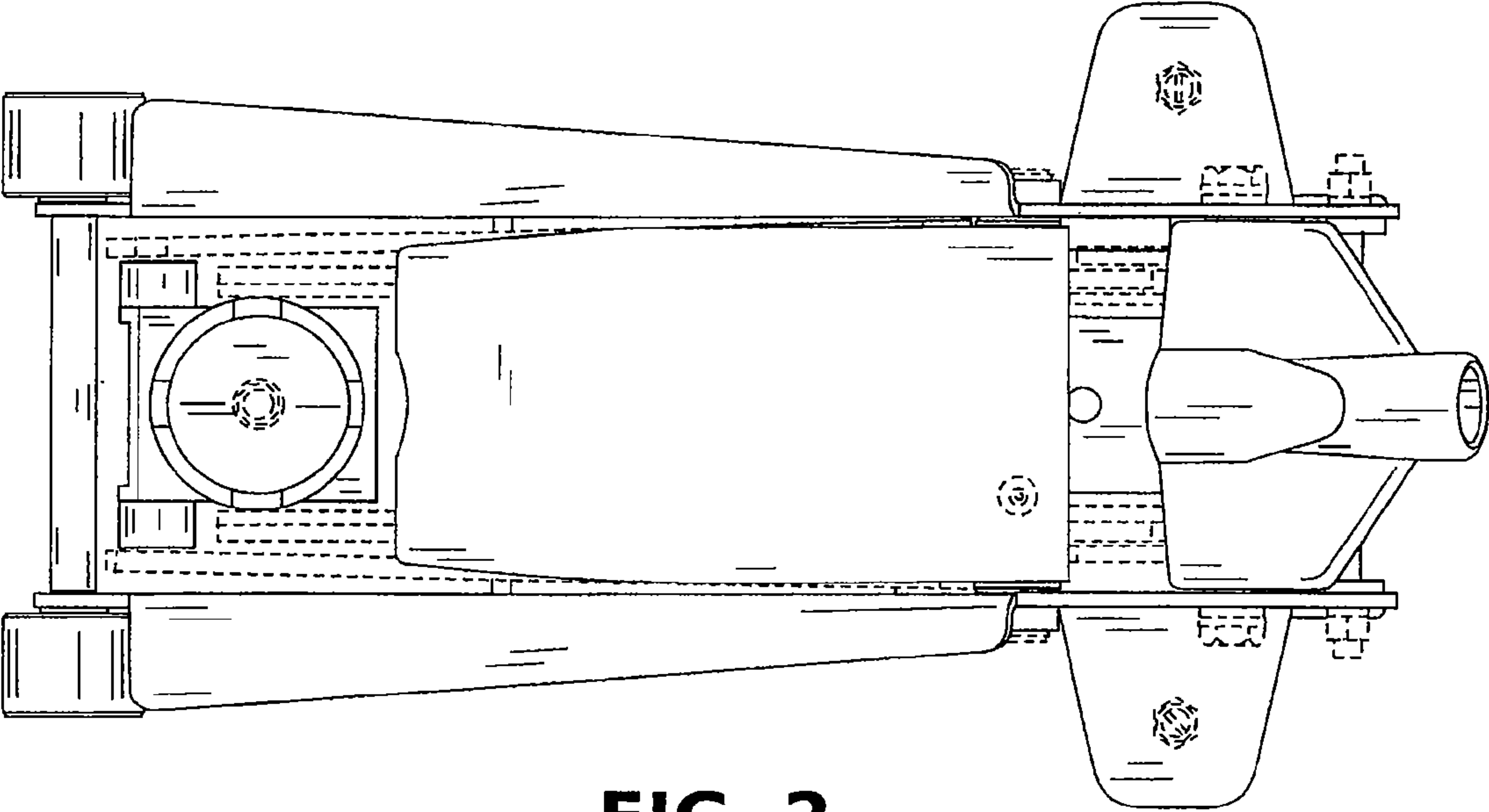


FIG. 2

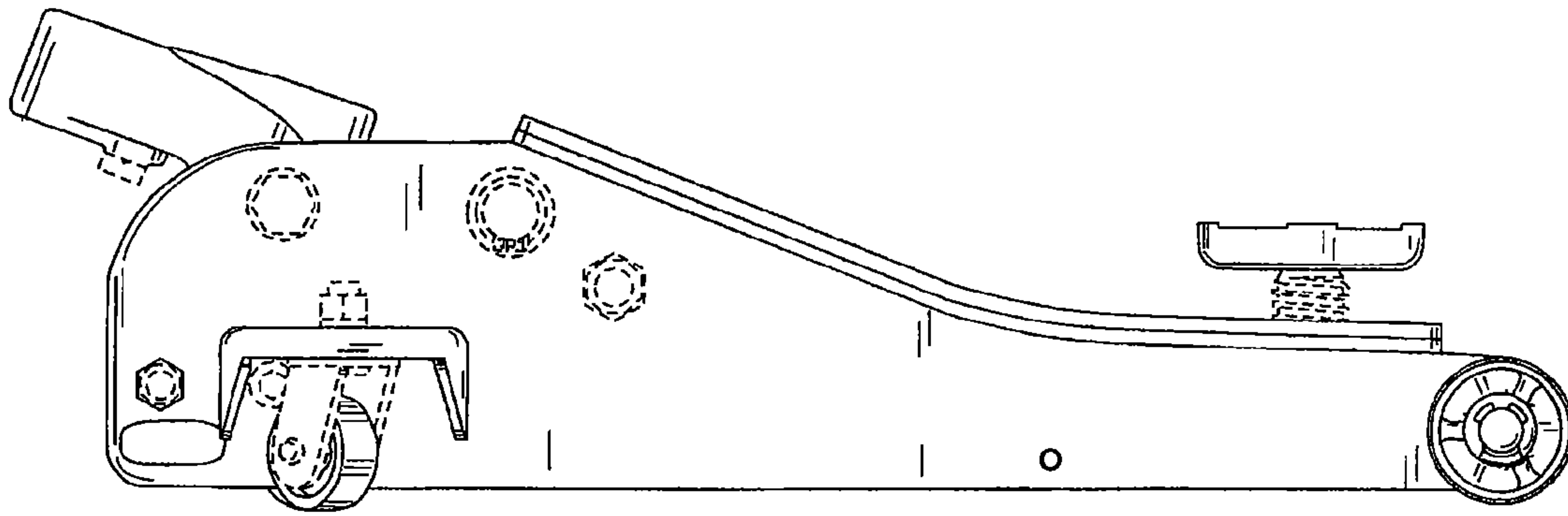


FIG. 3

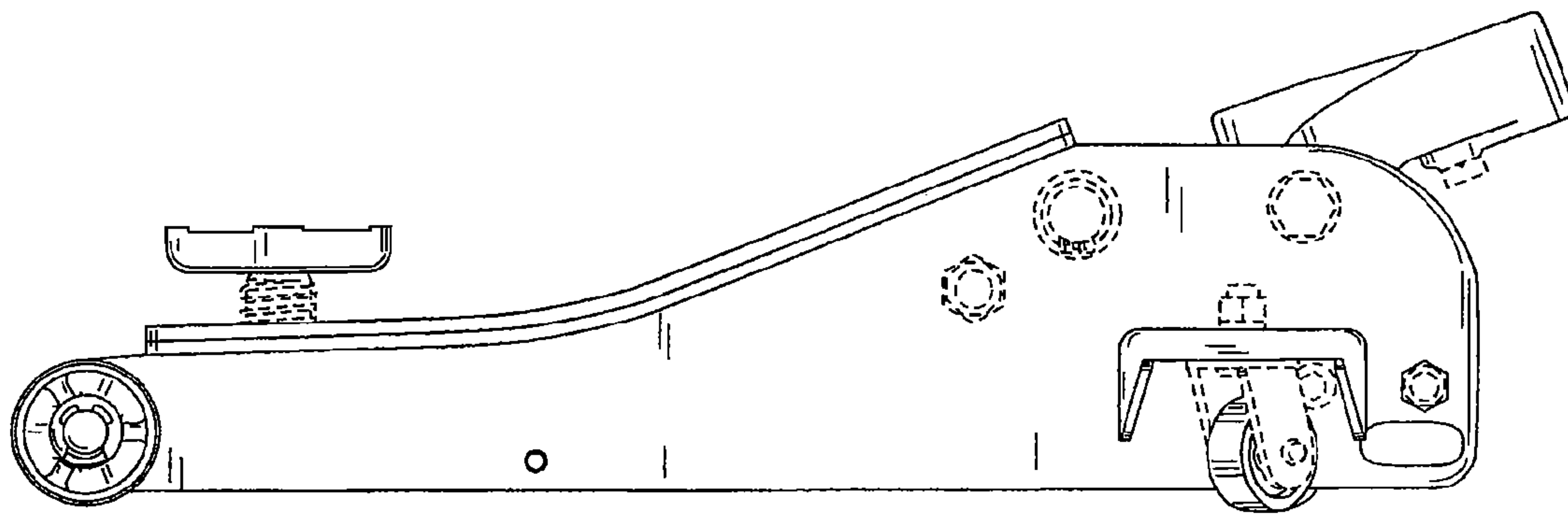


FIG. 4

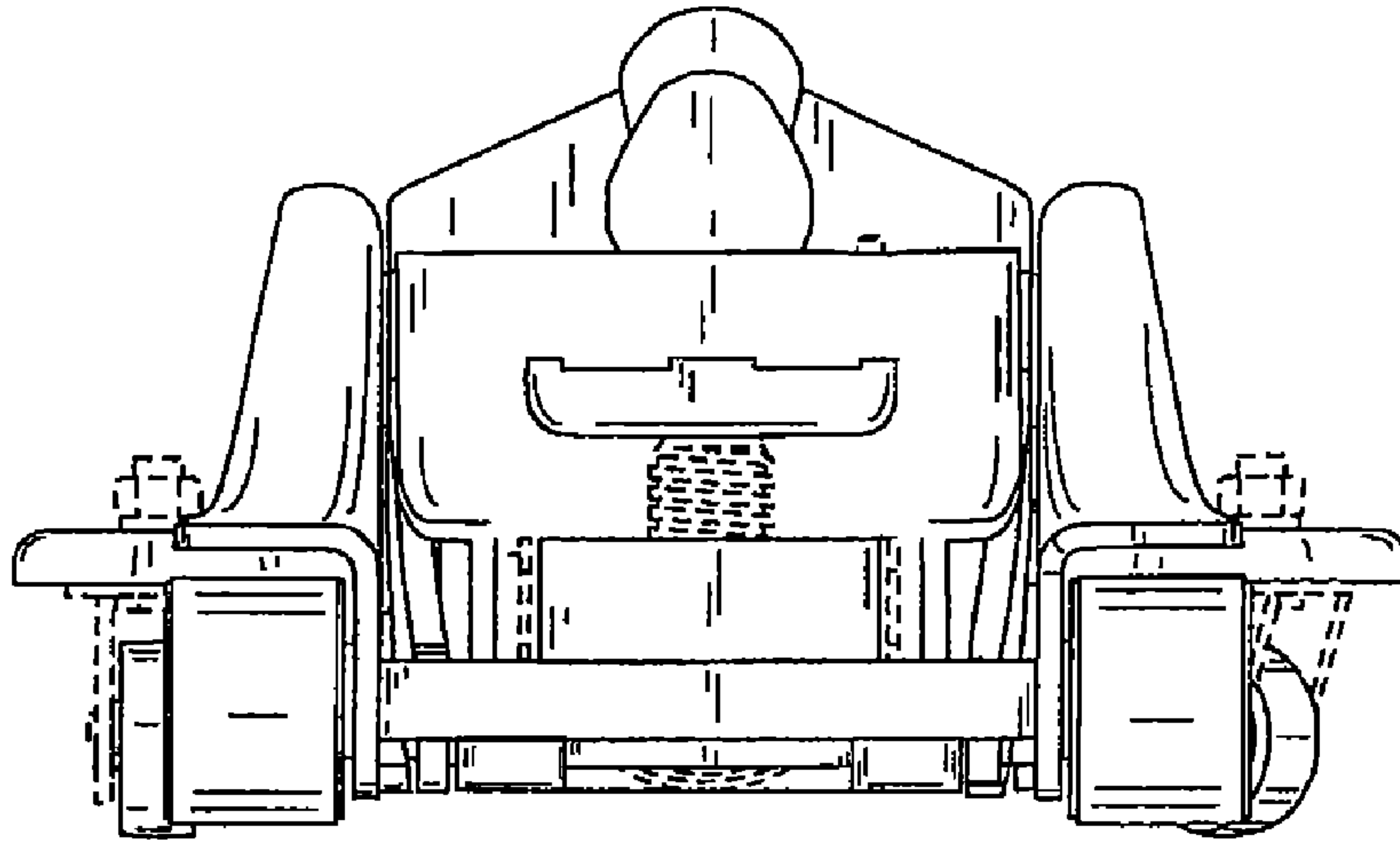


FIG. 5

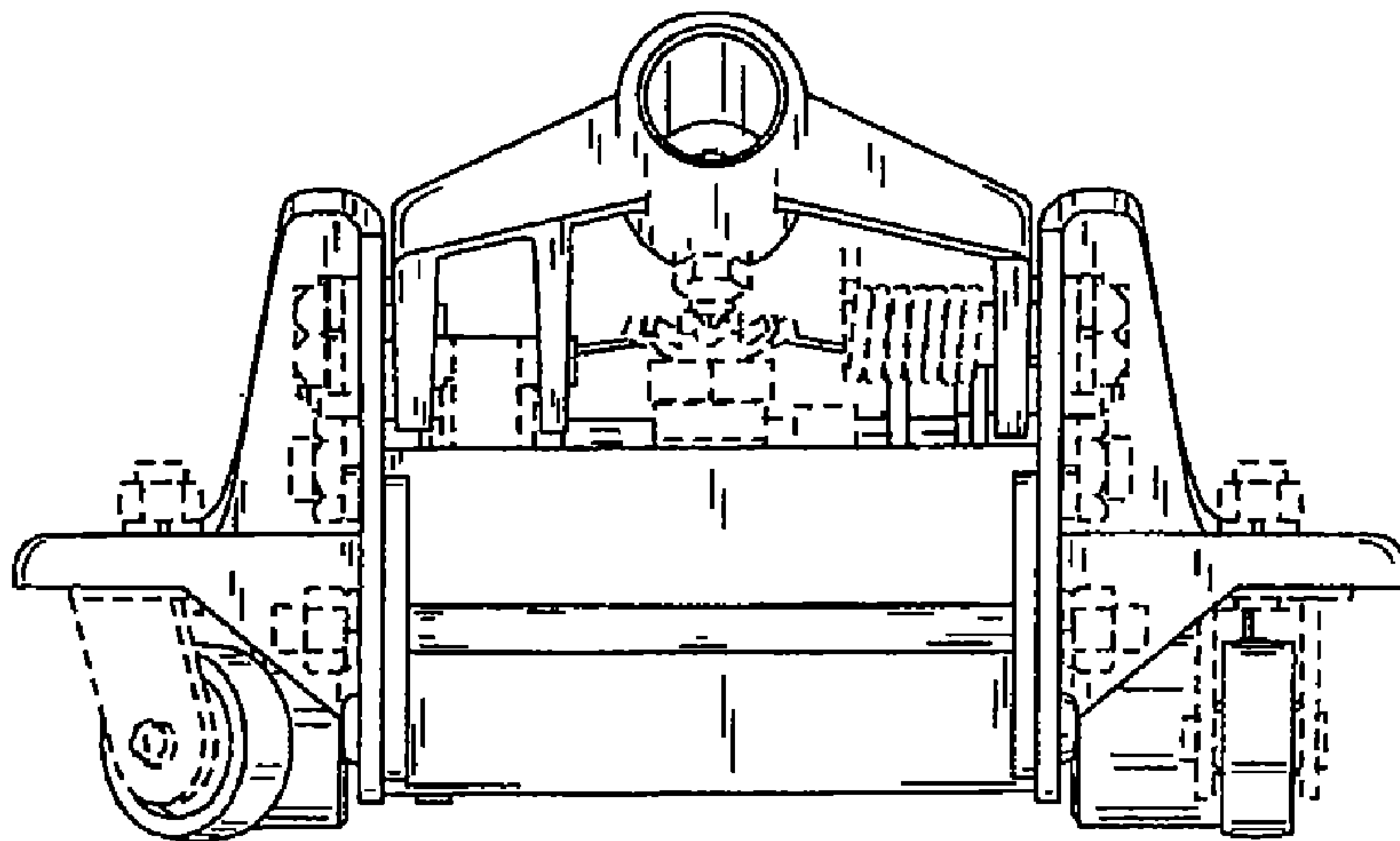


FIG. 6

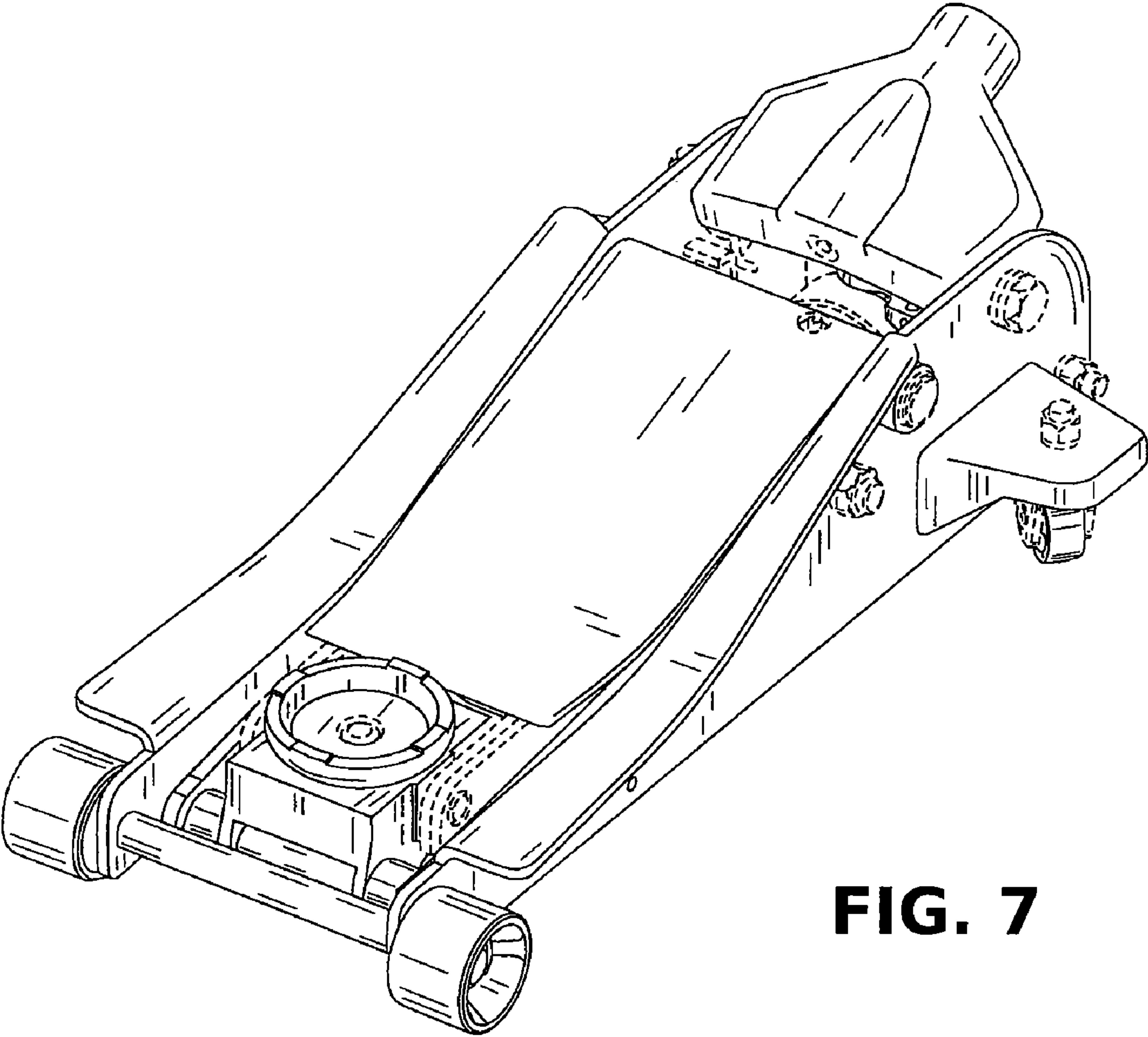


FIG. 7