



US00D582622S

(12) **United States Design Patent**  
**Schneider et al.**

(10) **Patent No.:** **US D582,622 S**  
(45) **Date of Patent:** **\*\* Dec. 9, 2008**

(54) **CONVERTIBLE WHEELBARROW**

(75) Inventors: **Douglas E. Schneider**, Strasburg, IL (US); **Anthony Todd Harris**, Sullivan, IL (US)

(73) Assignee: **Agri-Fab, Inc.**, Sullivan, IL (US)

(\*\*) Term: **14 Years**

(21) Appl. No.: **29/297,758**

(22) Filed: **Nov. 16, 2007**

(51) **LOC (8) Cl.** ..... **12-02**

(52) **U.S. Cl.** ..... **D34/16**

(58) **Field of Classification Search** ..... D34/12-27;  
280/47.31, 653, 47.29, 652, 651

See application file for complete search history.

(56) **References Cited**

**U.S. PATENT DOCUMENTS**

1,237,507 A	8/1917	Gregory	
1,794,630 A	3/1931	Linn	
1,880,703 A	10/1932	Bischoff et al.	
2,256,038 A	9/1941	Woodruff	
2,453,916 A	11/1948	Inskeep	
2,589,325 A	3/1952	Bachman	
2,606,771 A	8/1952	Rehnberg	
3,784,230 A	1/1974	Worrall, Jr.	
4,052,079 A	10/1977	Lehman	
4,426,097 A	1/1984	Livingston	
4,511,155 A	4/1985	Galloway	
4,645,230 A	2/1987	Hammons	
4,740,008 A	4/1988	Johnson	
4,767,128 A *	8/1988	Terhune	280/47.2
4,789,171 A	12/1988	Porter	
4,854,601 A	8/1989	Herndon	
5,031,926 A	7/1991	Wannamaker	

5,242,177 A *	9/1993	Morris	280/47.31
5,509,681 A	4/1996	Keller	
5,516,253 A	5/1996	Linscheid et al.	
5,915,706 A	6/1999	Mosley	
D463,893 S *	10/2002	Hoffmann	D34/16
6,550,177 B1 *	4/2003	Epple, Jr.	43/4
6,659,491 B2	12/2003	Green	
7,140,630 B2	11/2006	Abel	
D535,451 S *	1/2007	Lim	D34/16

**FOREIGN PATENT DOCUMENTS**

GB 2301801 A 12/1996

\* cited by examiner

*Primary Examiner*—Cynthia E Ramirez

(74) *Attorney, Agent, or Firm*—Vedder Price P.C.

(57) **CLAIM**

The ornamental design for a convertible wheelbarrow, as shown and described.

**DESCRIPTION**

FIG. 1 is a perspective view of a convertible wheelbarrow showing our new design;

FIG. 2 is a front elevation view of the convertible wheelbarrow of FIG. 1;

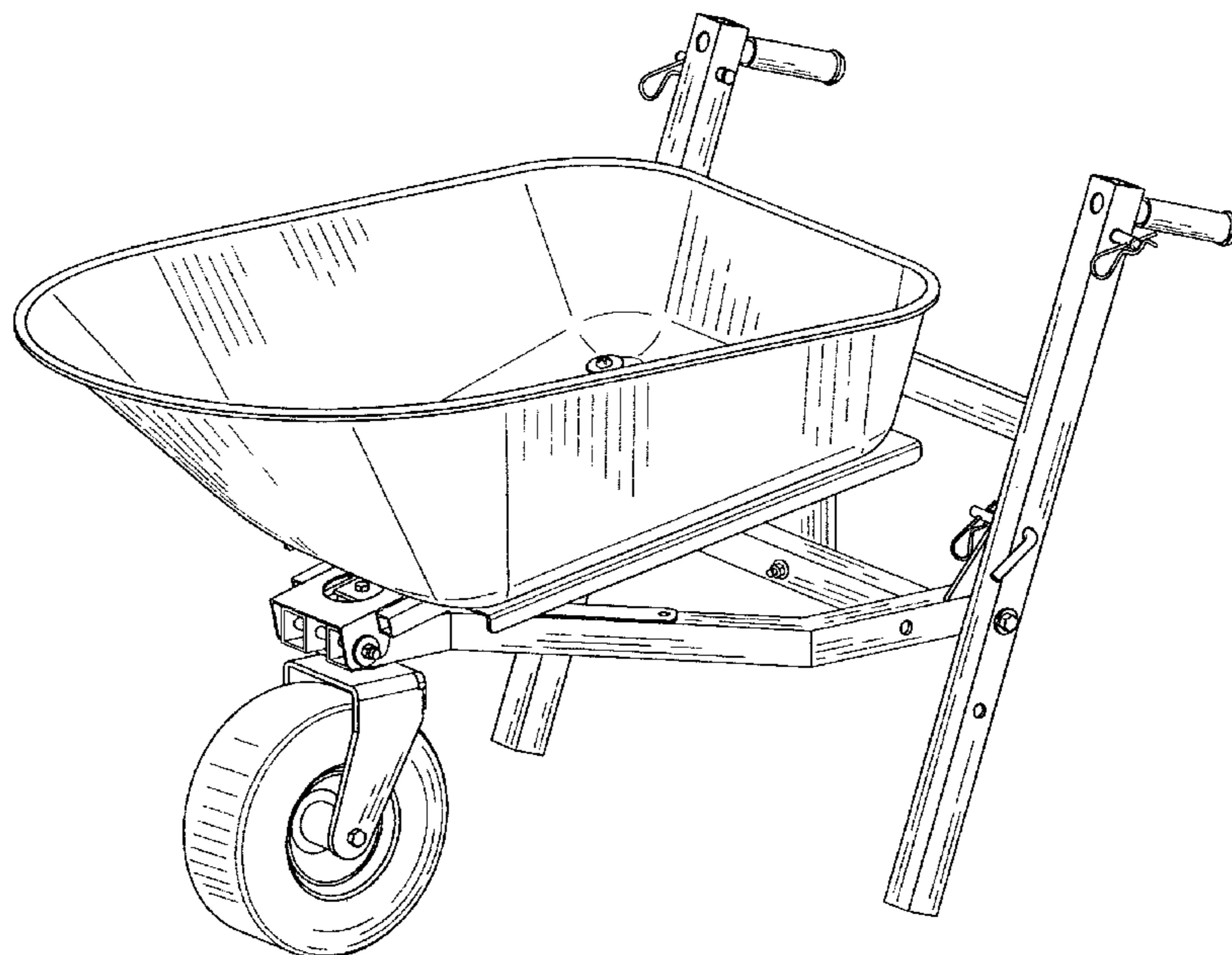
FIG. 3 is a rear elevation view of the convertible wheelbarrow of FIG. 1;

FIG. 4 is a first side elevation view of the convertible wheelbarrow of FIG. 1;

FIG. 5 is a second side elevation view of the convertible wheelbarrow of FIG. 1; and,

FIG. 6 is a top plan view of the convertible wheelbarrow of FIG. 1.

**1 Claim, 4 Drawing Sheets**



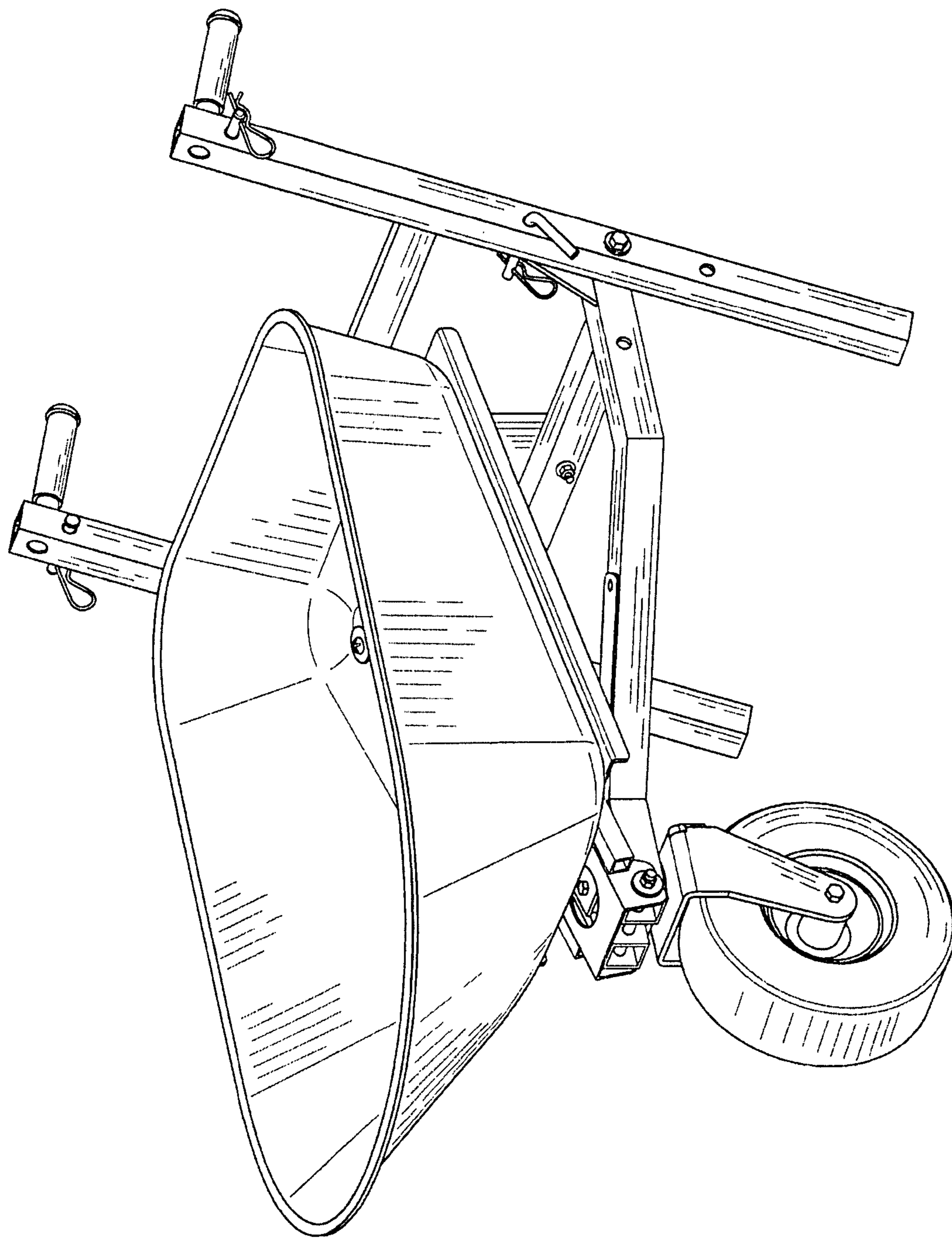


FIG. 1

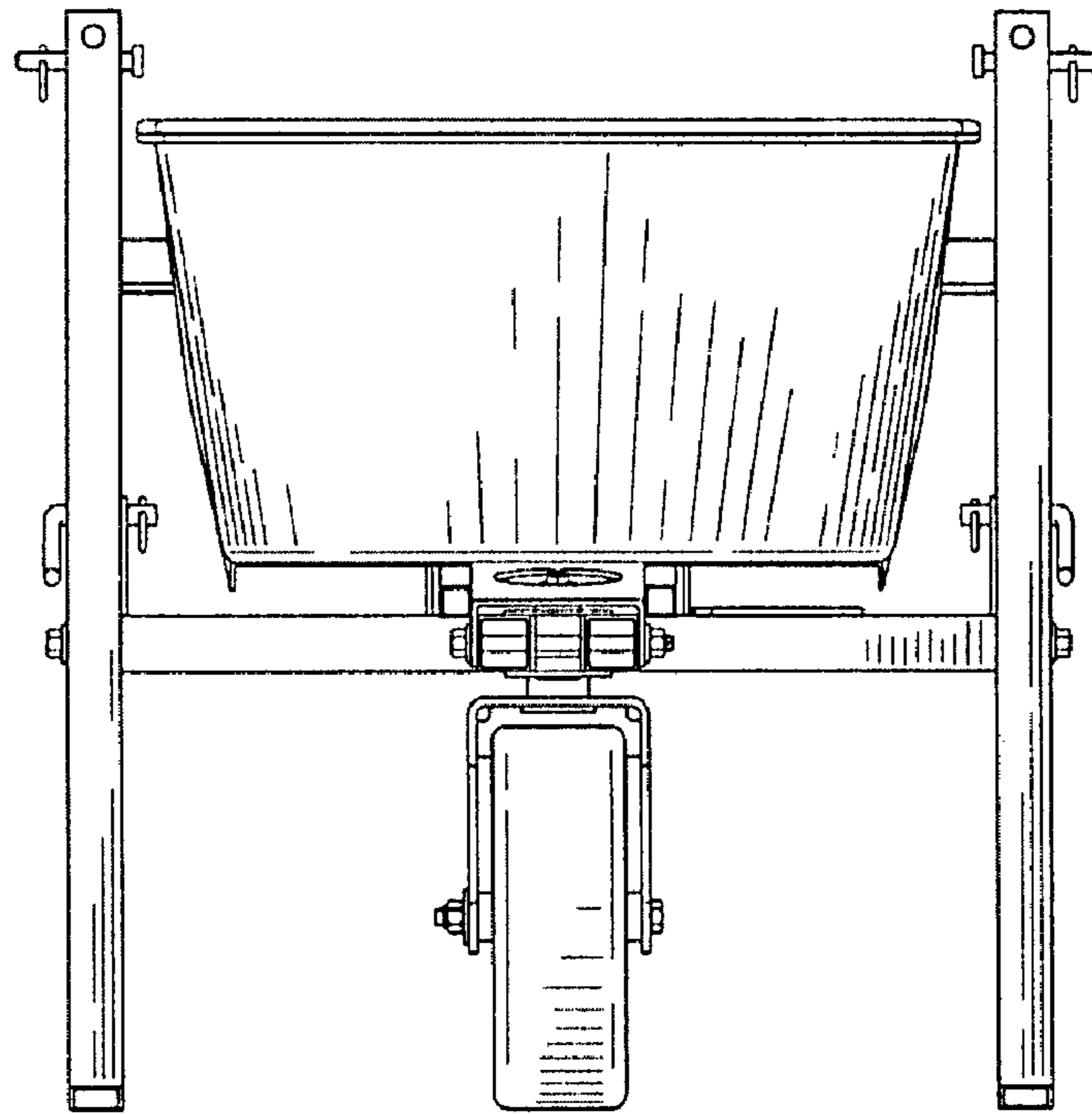


FIG. 2

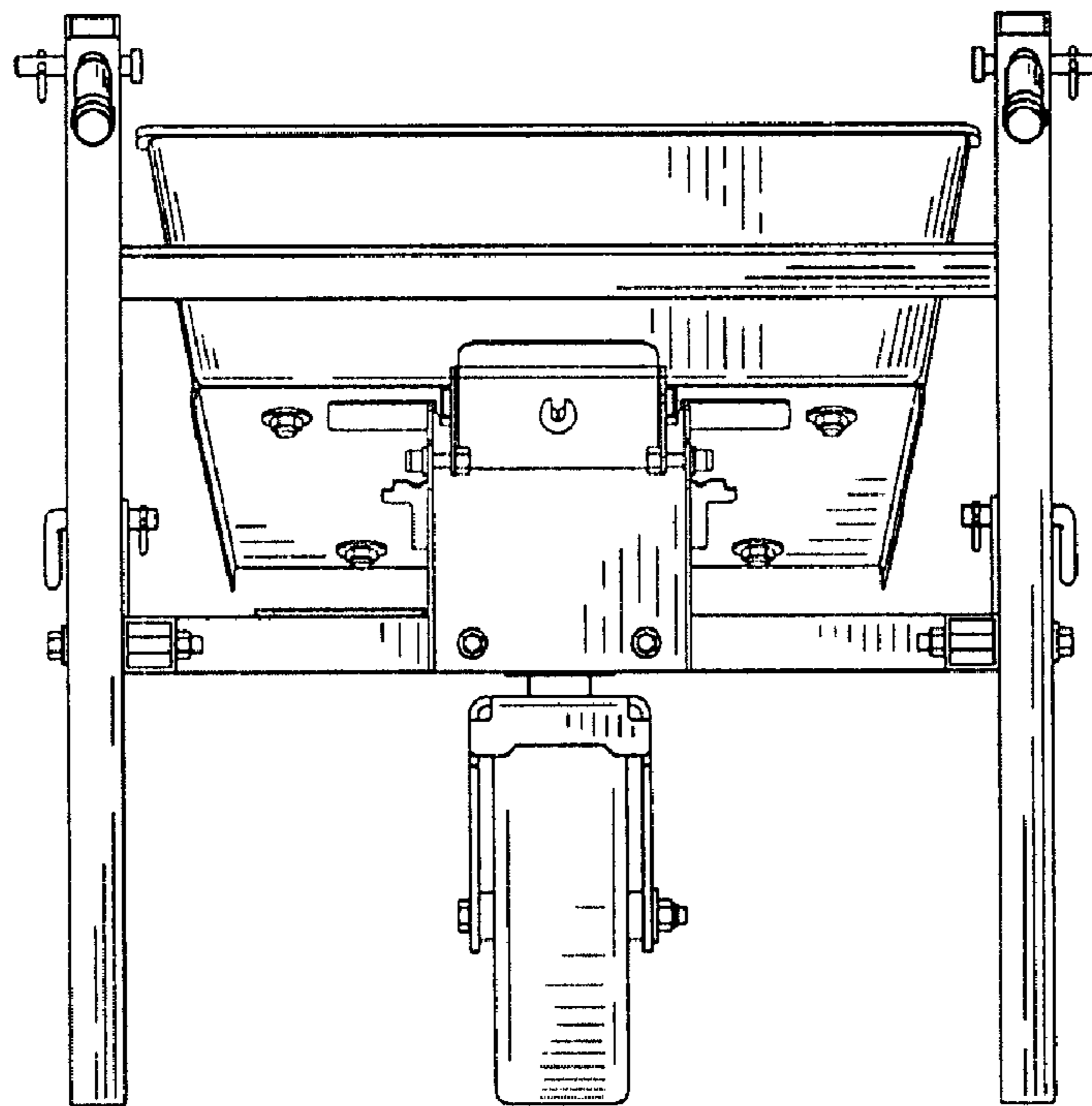


FIG. 3

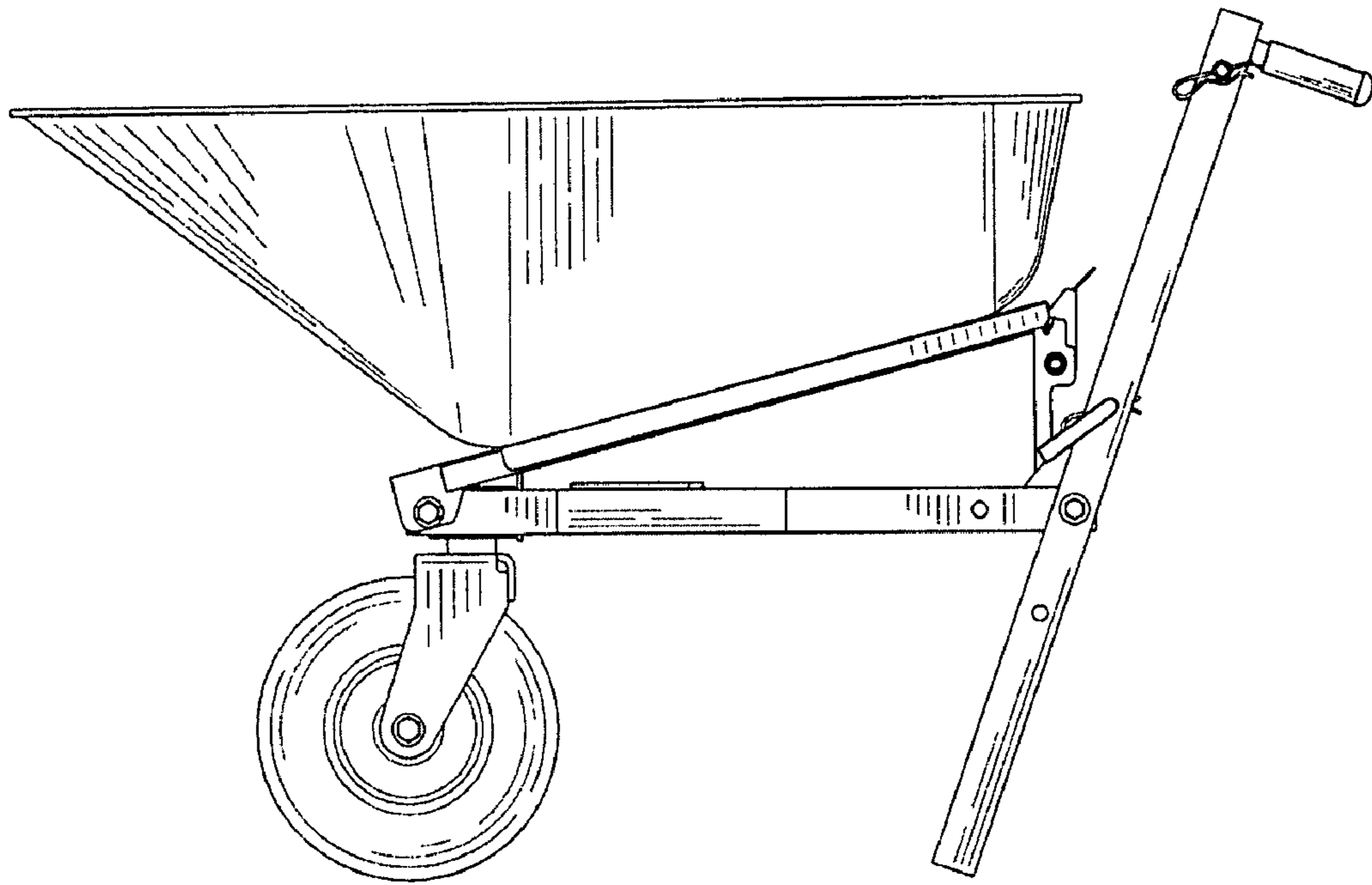


FIG. 4

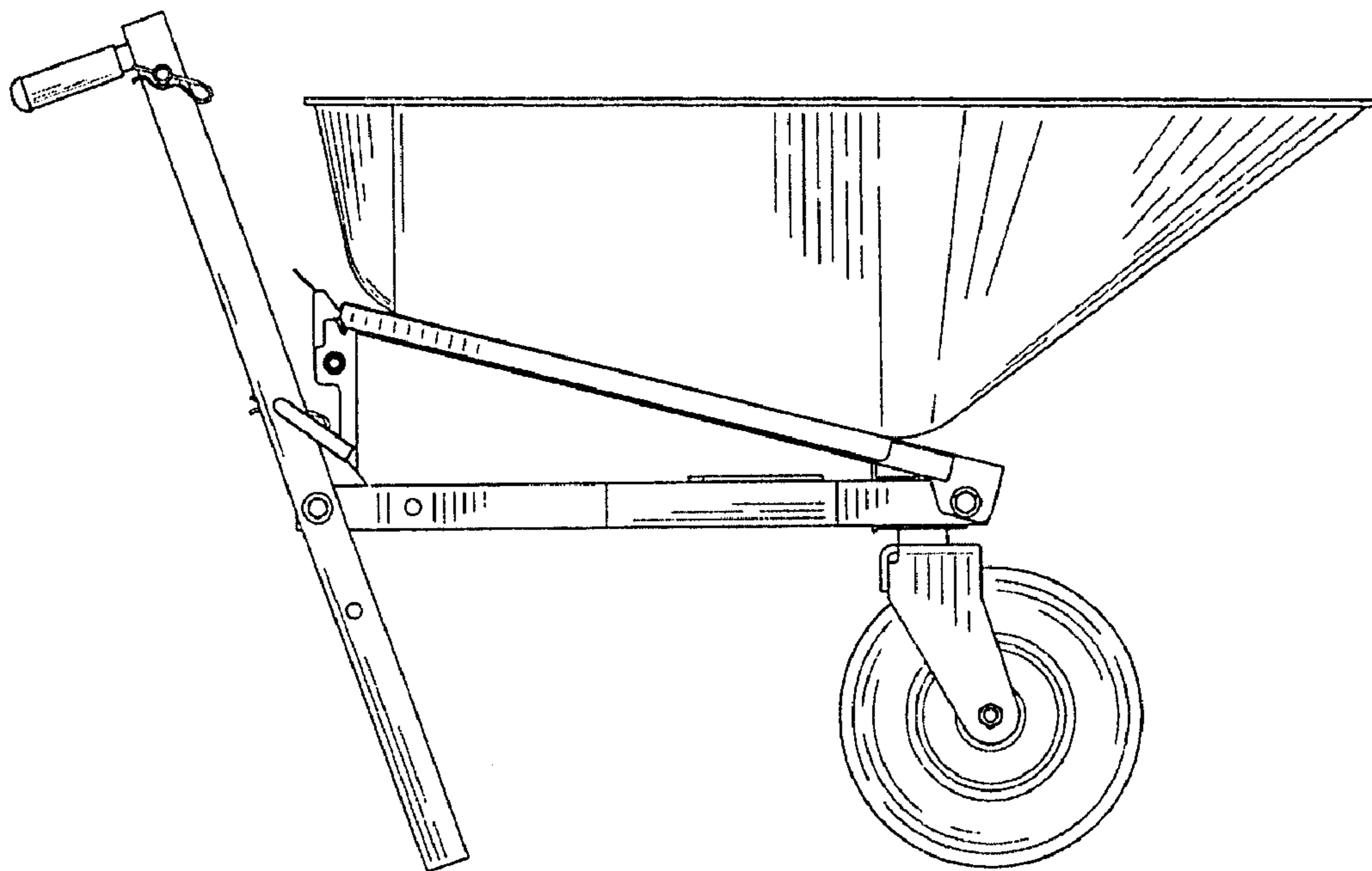


FIG. 5

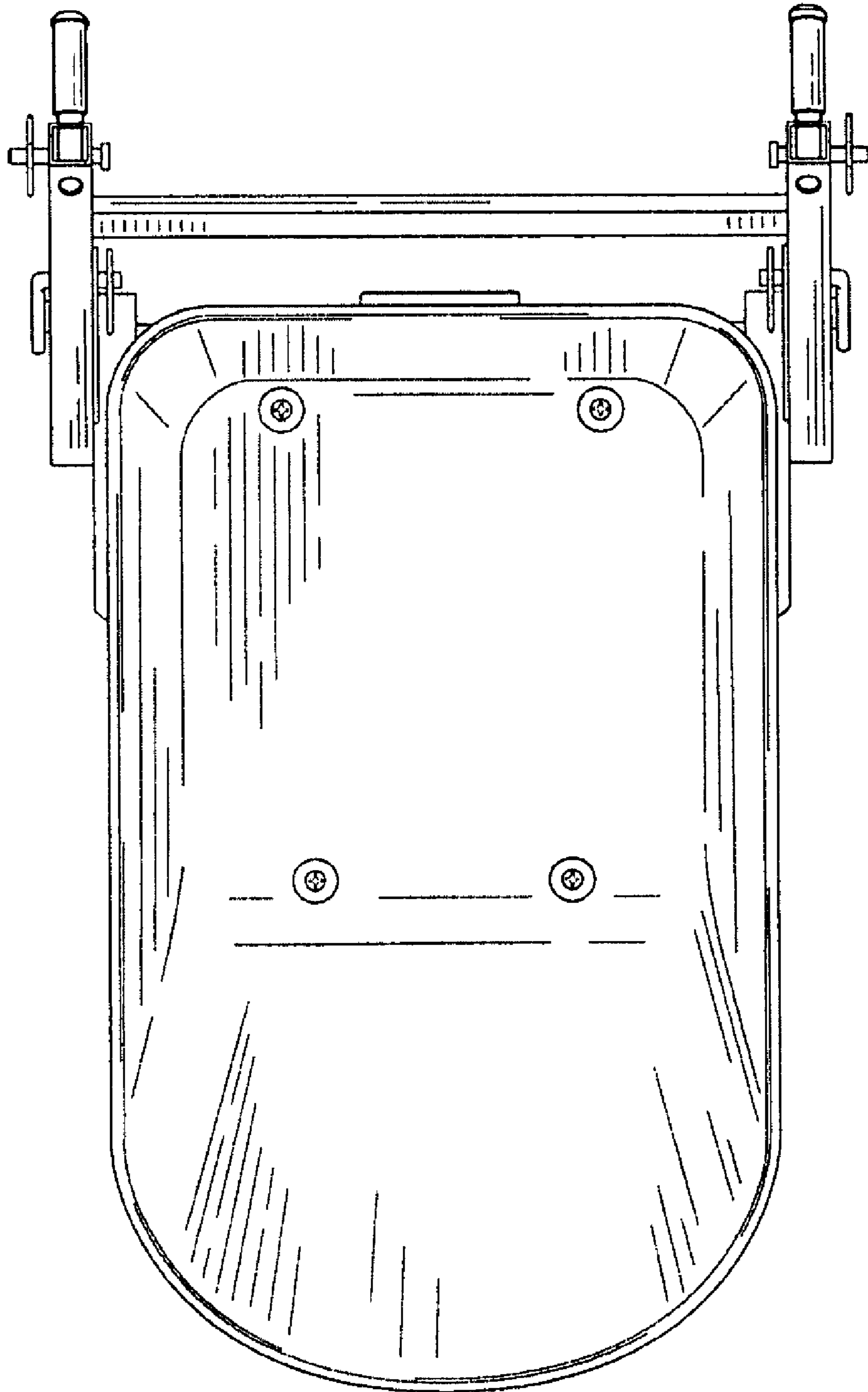


FIG. 6