



US00D582619S

(12) **United States Design Patent**
Kong

(10) **Patent No.:** **US D582,619 S**

(45) **Date of Patent:** **** Dec. 9, 2008**

(54) **MOP HEAD**

(74) *Attorney, Agent, or Firm*—Foley & Lardner LLP

(75) **Inventor:** **Yin Ni Elaine Kong**, Caribbean Coast (HK)

(57) **CLAIM**

We claim the ornamental design for a mop head, as shown and described.

(73) **Assignee:** **Rubbermaid Commercial Products LLC**, Winchester, VA (US)

(**) **Term:** **14 Years**

DESCRIPTION

(21) **Appl. No.:** **29/283,932**

FIG. 1 is a top frontal perspective view of a first embodiment of a mop head according to my new design;

(22) **Filed:** **Aug. 27, 2007**

FIG. 2 is a front view of the mop head shown in FIG. 1;

(51) **LOC (8) Cl.** **04-01**

FIG. 3 is a back view of the mop head shown in FIG. 1;

(52) **U.S. Cl.** **D32/50; D32/40**

FIG. 4 is a left side view of the mop head shown in FIG. 1;

(58) **Field of Classification Search** **D32/50,**

FIG. 5 is a right side view of the mop head shown in FIG. 1;

D32/40, 51–52, 49; 15/115, 119.2, 116.2,

FIG. 6 is a top view of the mop head shown in FIG. 1;

15/118, 229.3, 229.6–229.8, 228, 220.1;

FIG. 7 is a bottom view of the mop head shown in FIG. 1;

428/198; 451/515, 190, 209.1, 288, 231

FIG. 8 is a top frontal perspective view of a second embodiment of a mop head according to my new design;

See application file for complete search history.

FIG. 9 is a front view of the mop head shown in FIG. 8;

(56) **References Cited**

U.S. PATENT DOCUMENTS

FIG. 10 is a back view of the mop head shown in FIG. 8;

2,769,995 A * 11/1956 Klein 15/244.1

FIG. 11 is a left side view of the mop head shown in FIG. 8;

D195,818 S * 8/1963 Herman et al. D32/50

FIG. 12 is a right side view of the mop head shown in FIG. 8;

D202,767 S * 11/1965 Cowen D32/50

FIG. 13 is a top view of the mop head shown in FIG. 8; and,

D274,856 S * 7/1984 Smith et al. D32/50

FIG. 14 is a bottom view of the mop head shown in FIG. 8.

D358,238 S * 5/1995 Barnett D32/50

The ornamental design which is claimed is shown in solid lines in the drawings. The broken lines in the drawings are for illustrative purposes only and form no part of the claimed design.

D384,818 S * 10/1997 Wolfenden D4/199

D402,776 S * 12/1998 Carlson D32/50

D488,268 S * 4/2004 Chen D32/15

* cited by examiner

Primary Examiner—Pamela J Burgess

1 Claim, 8 Drawing Sheets

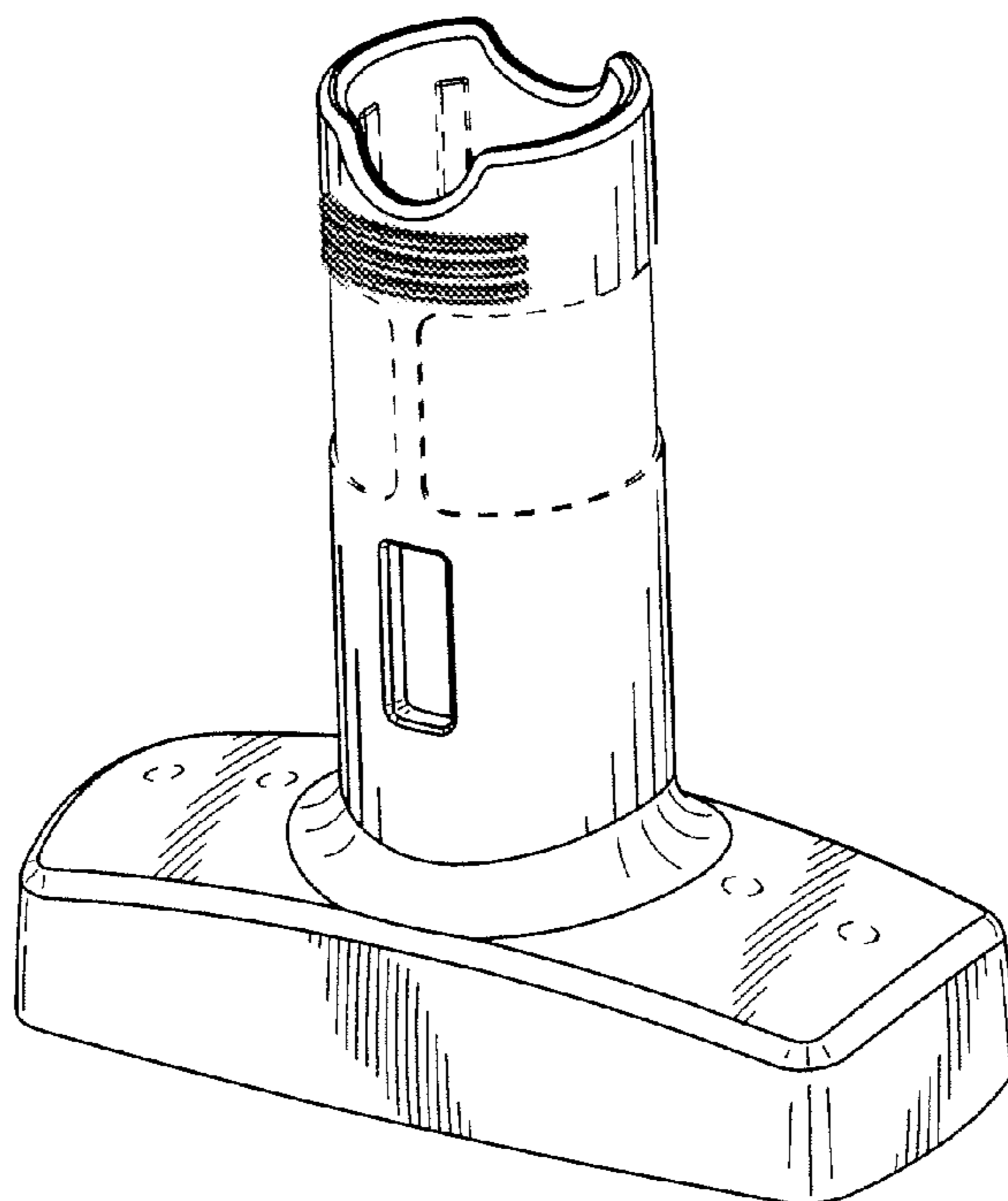


Fig. 1

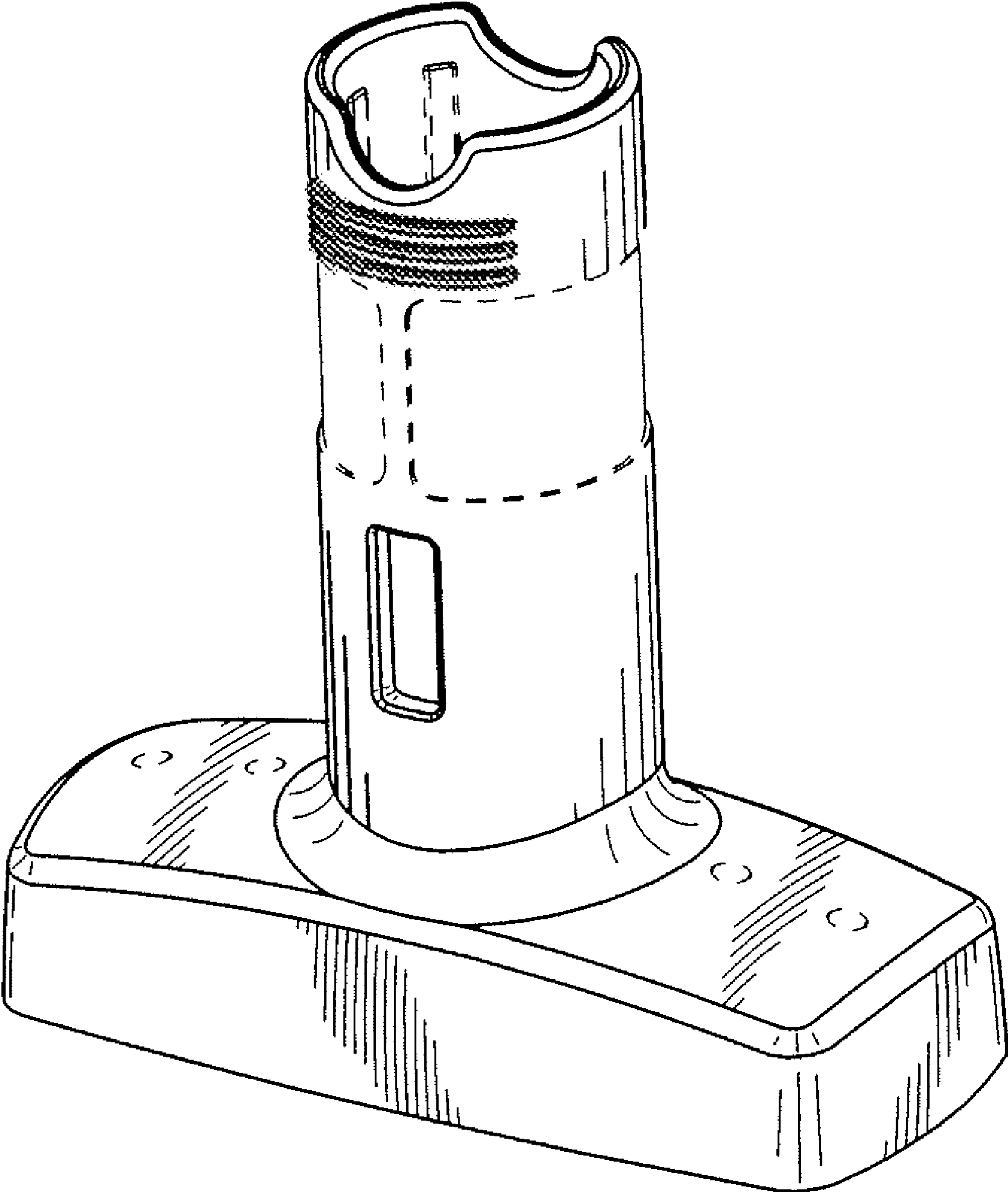


Fig. 2

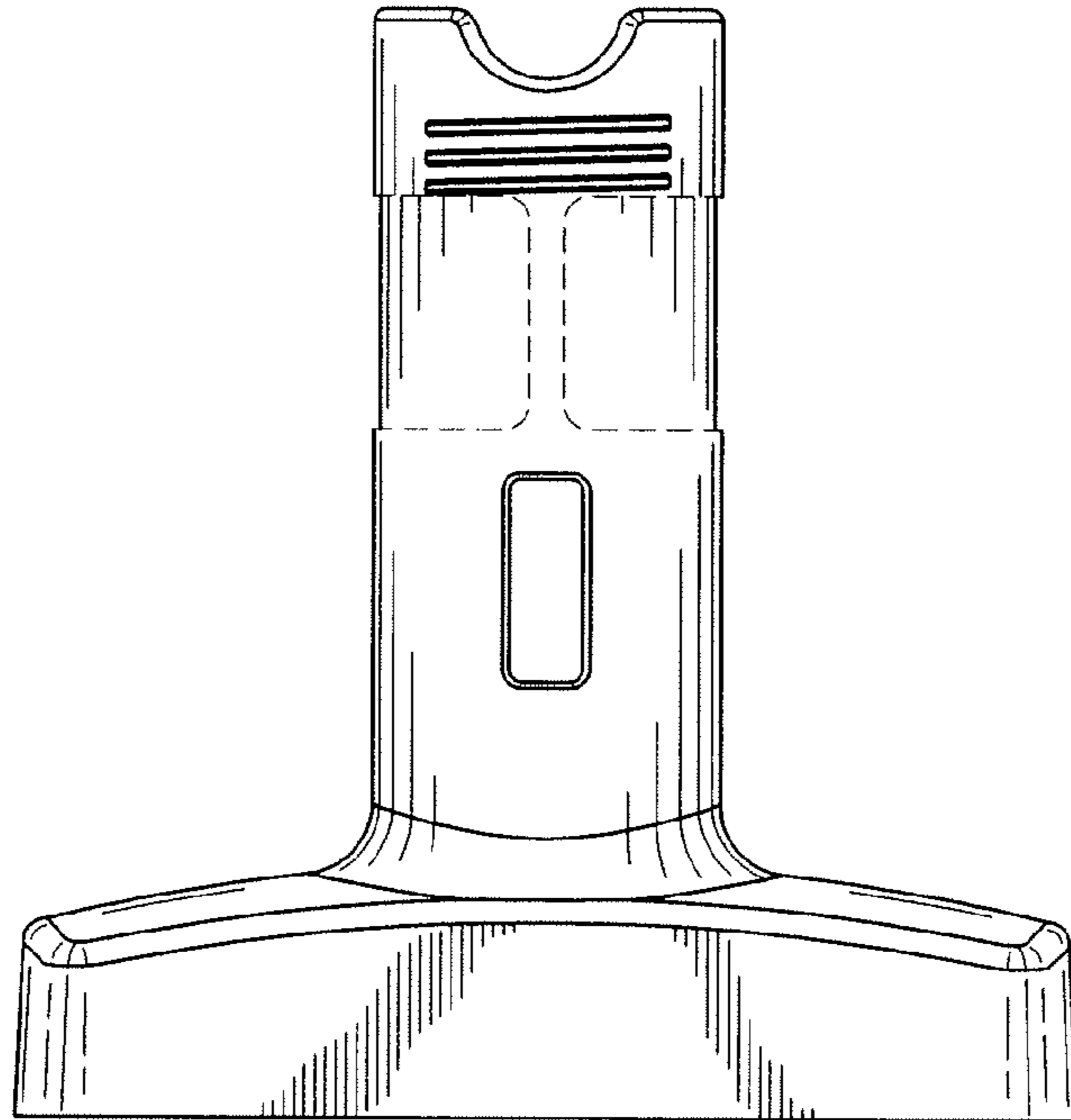


Fig. 3

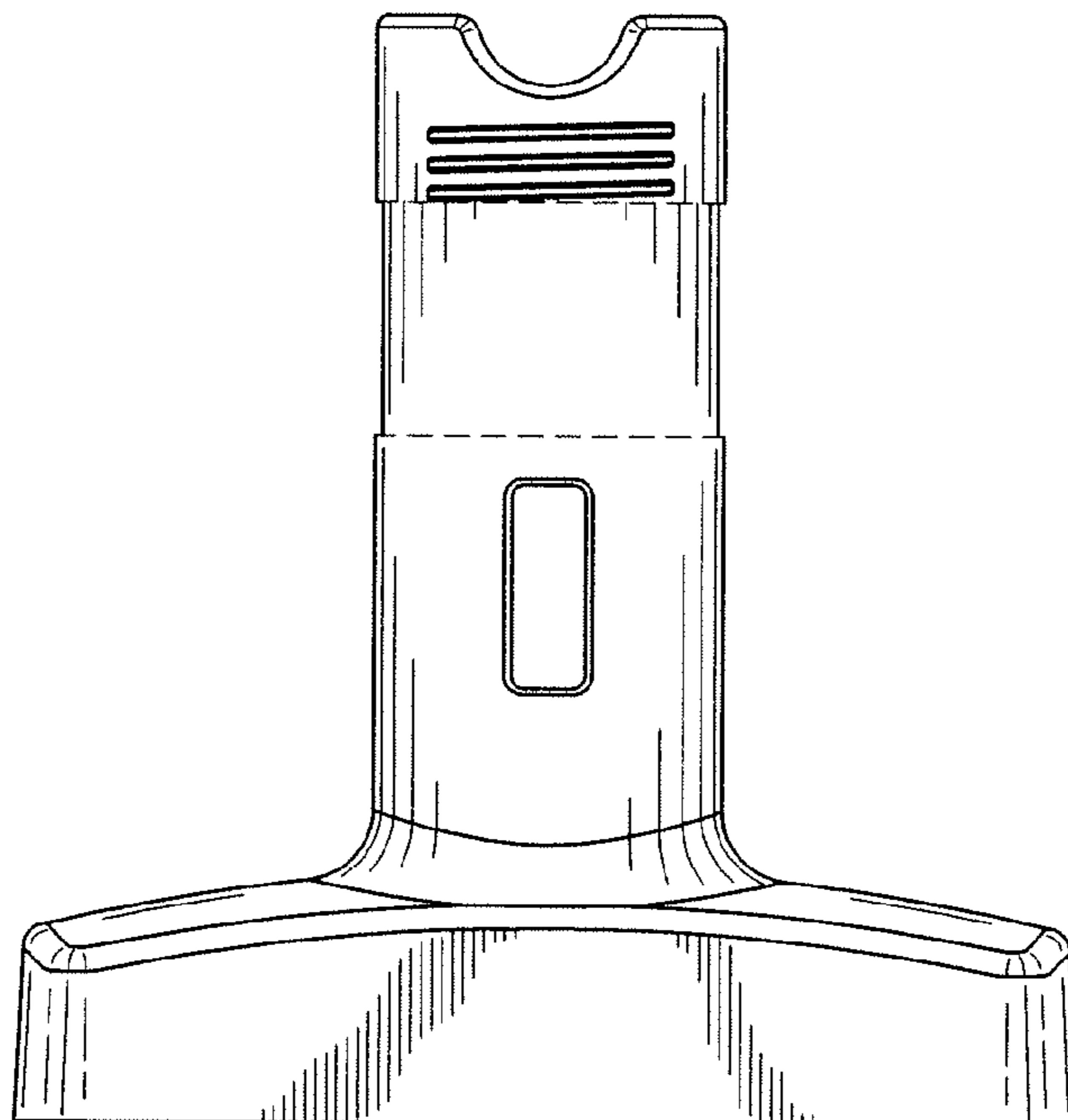


Fig. 4

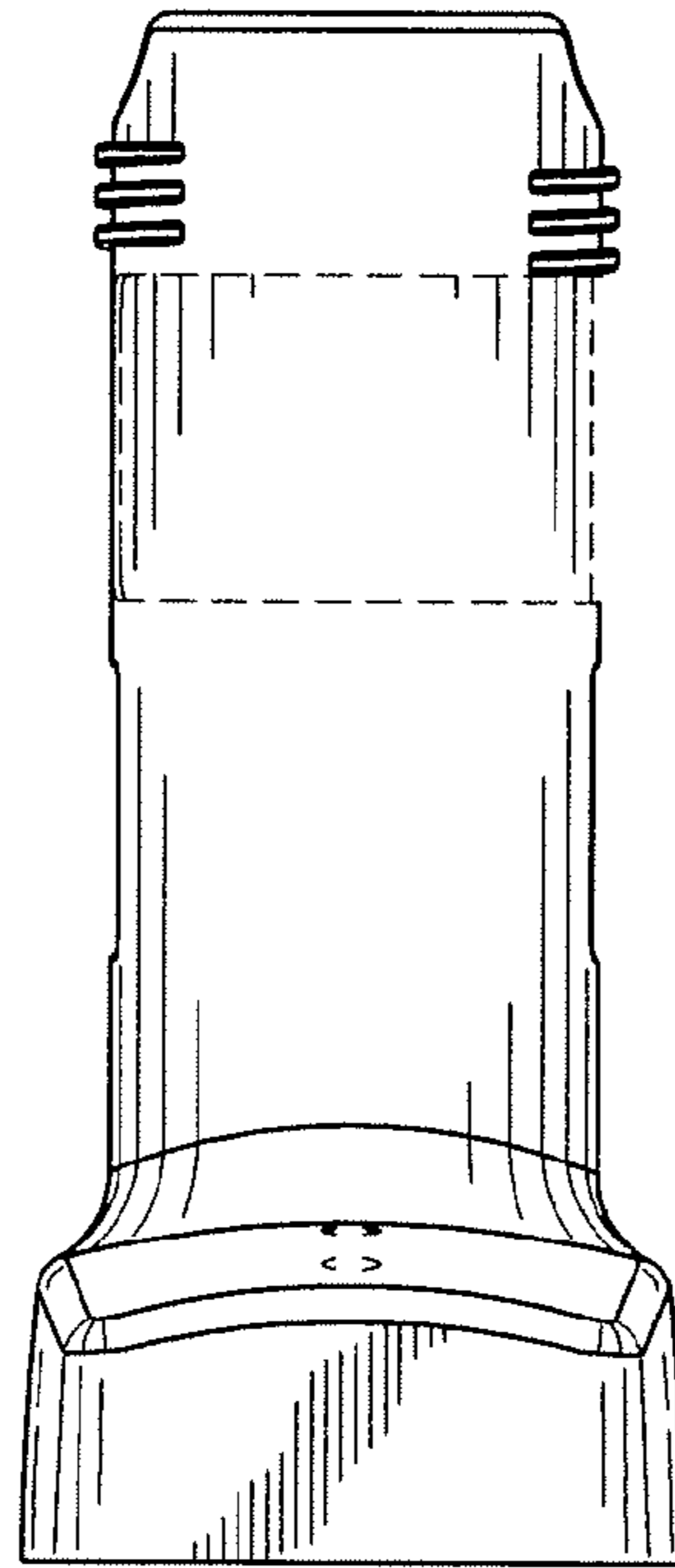


Fig. 5

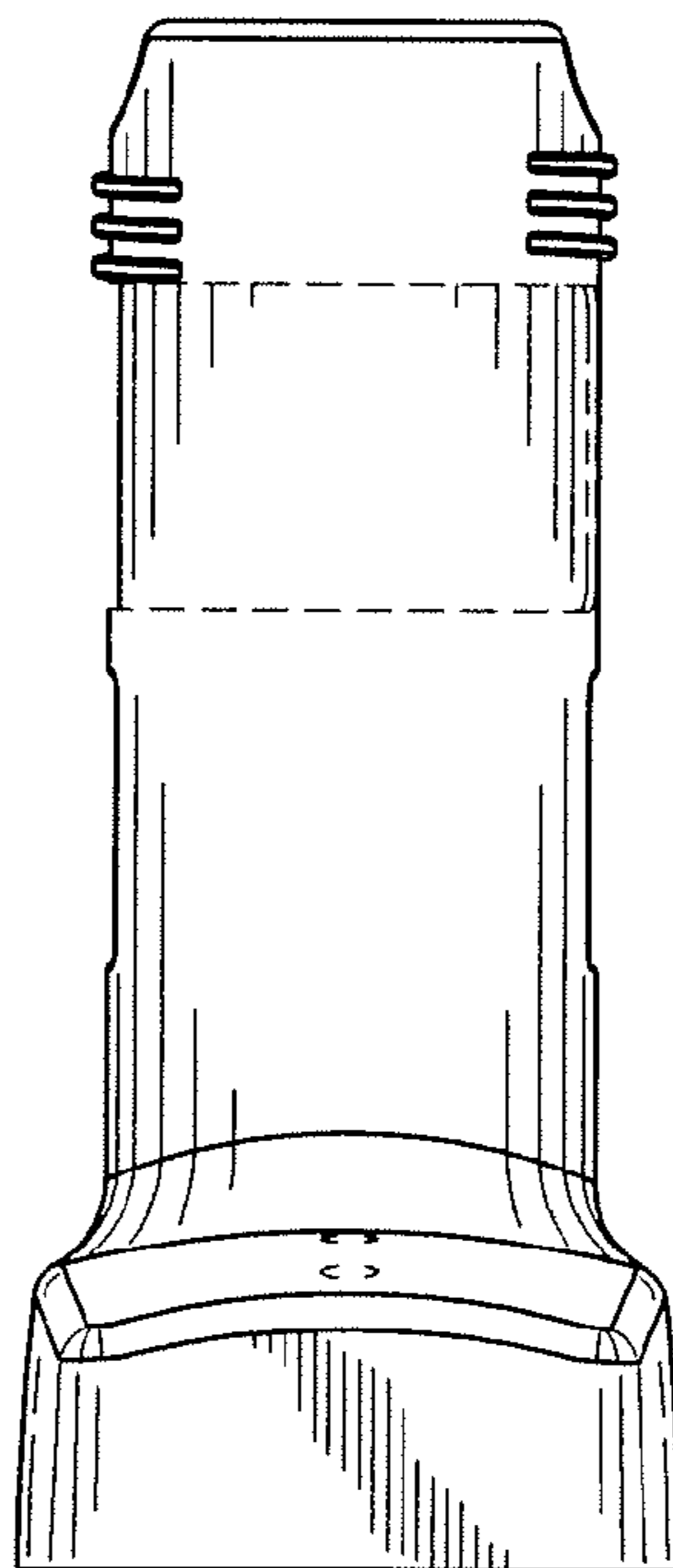


Fig. 6

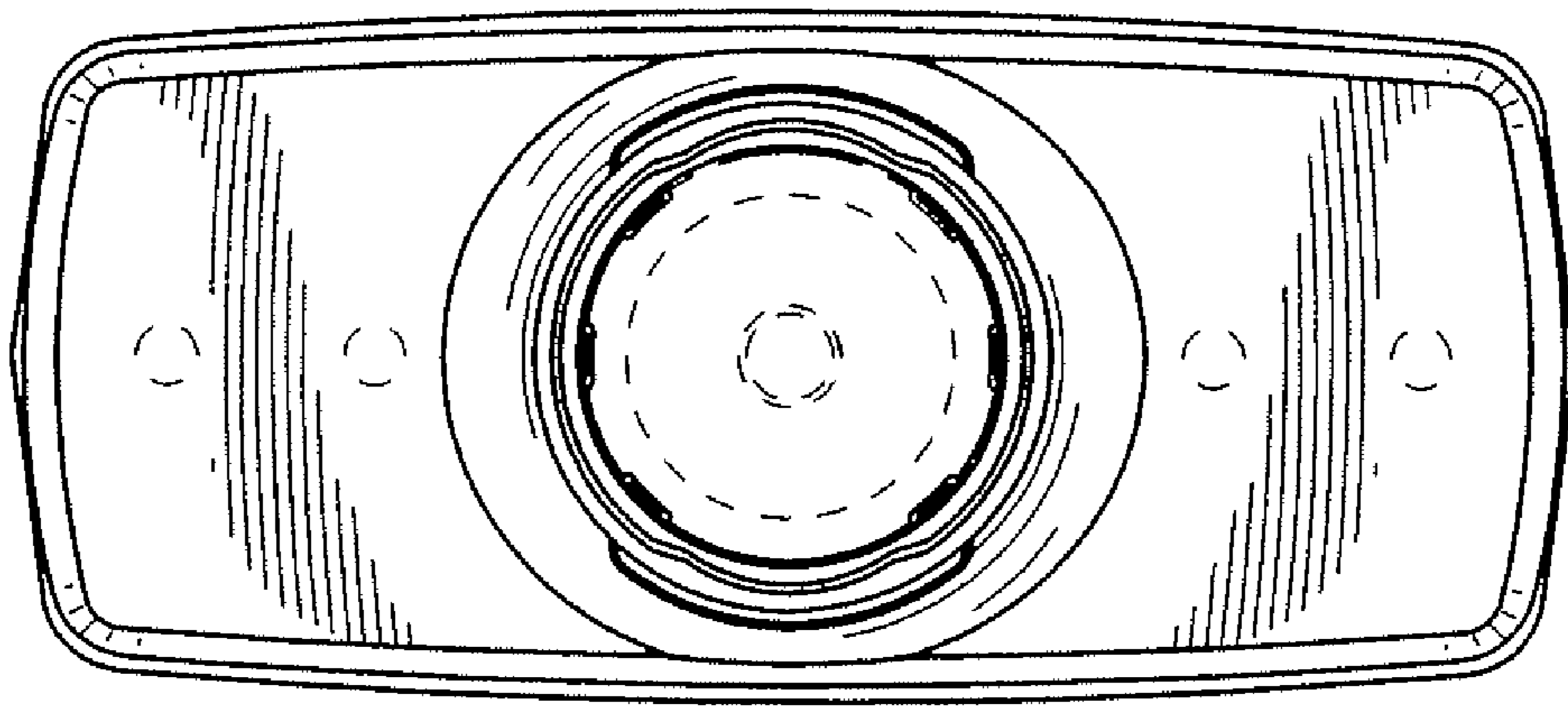


Fig. 7

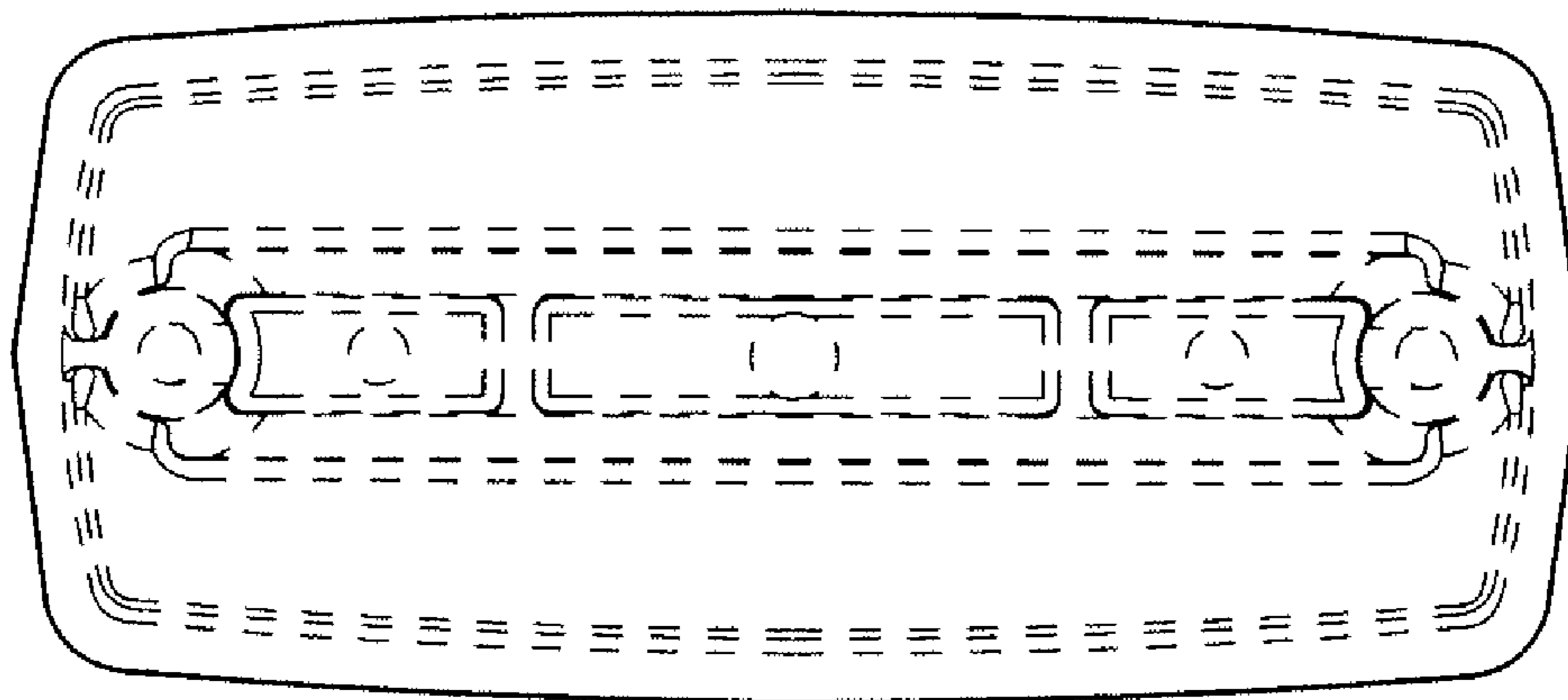


Fig. 8

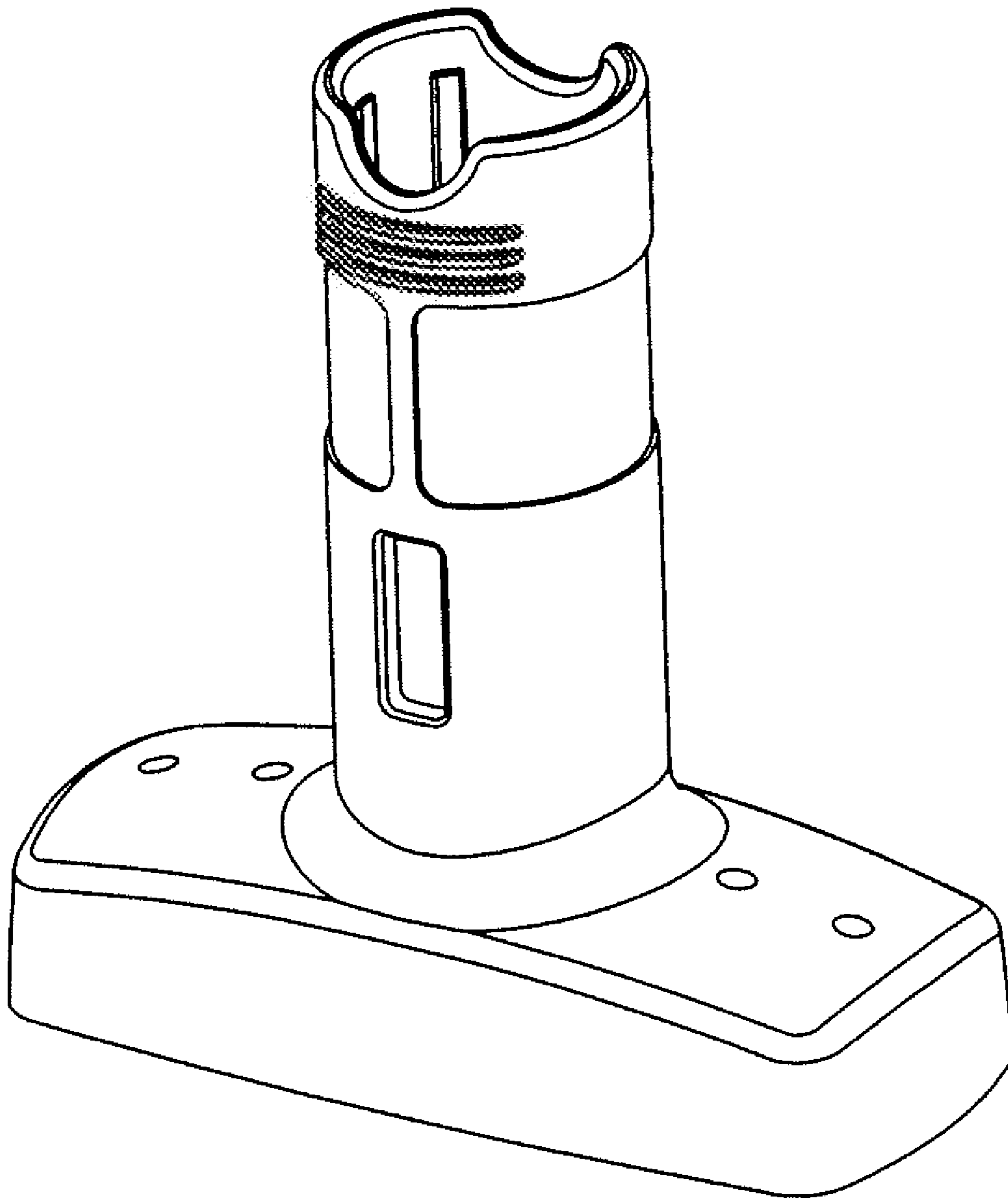


Fig. 9

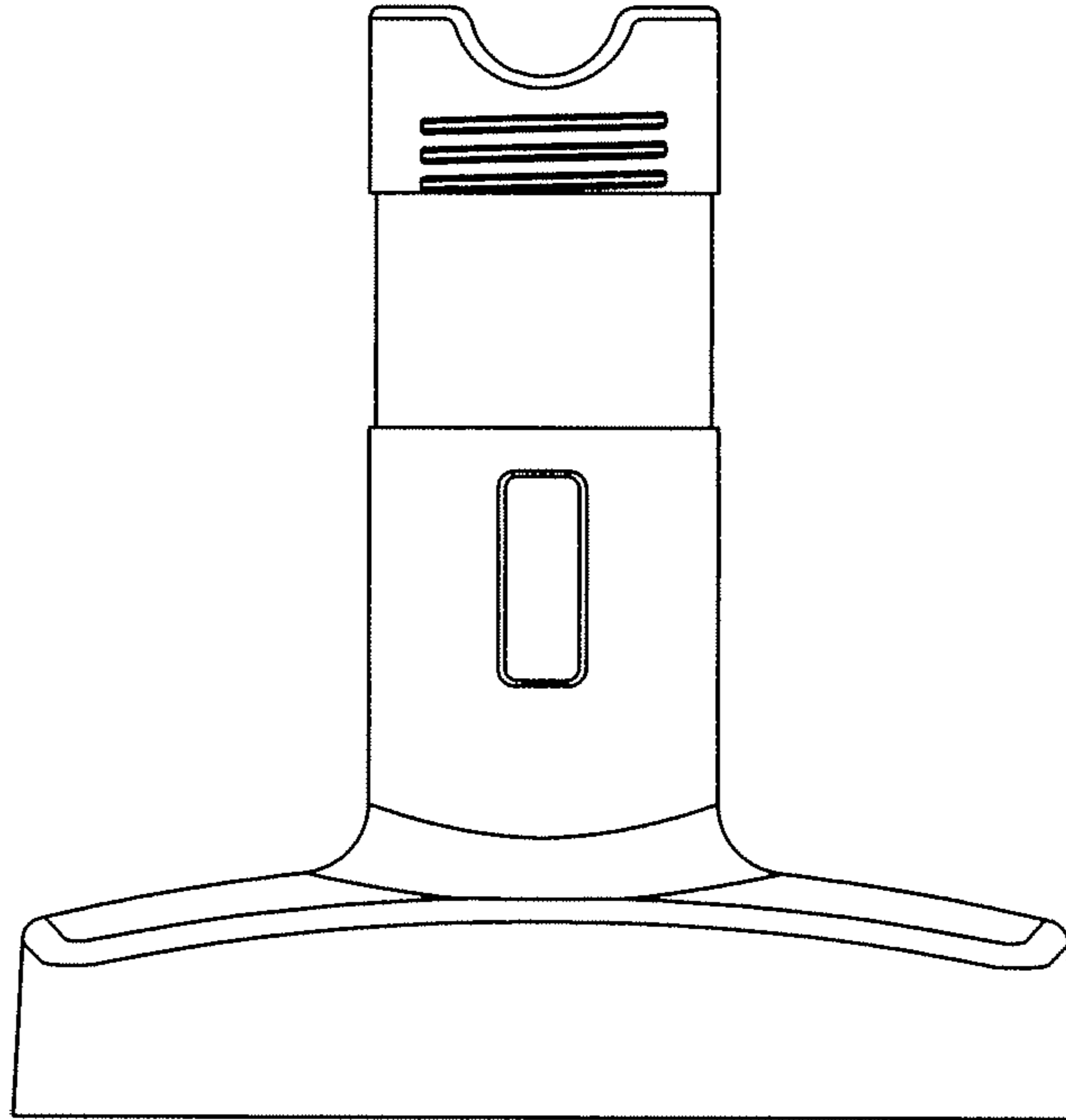


Fig. 10

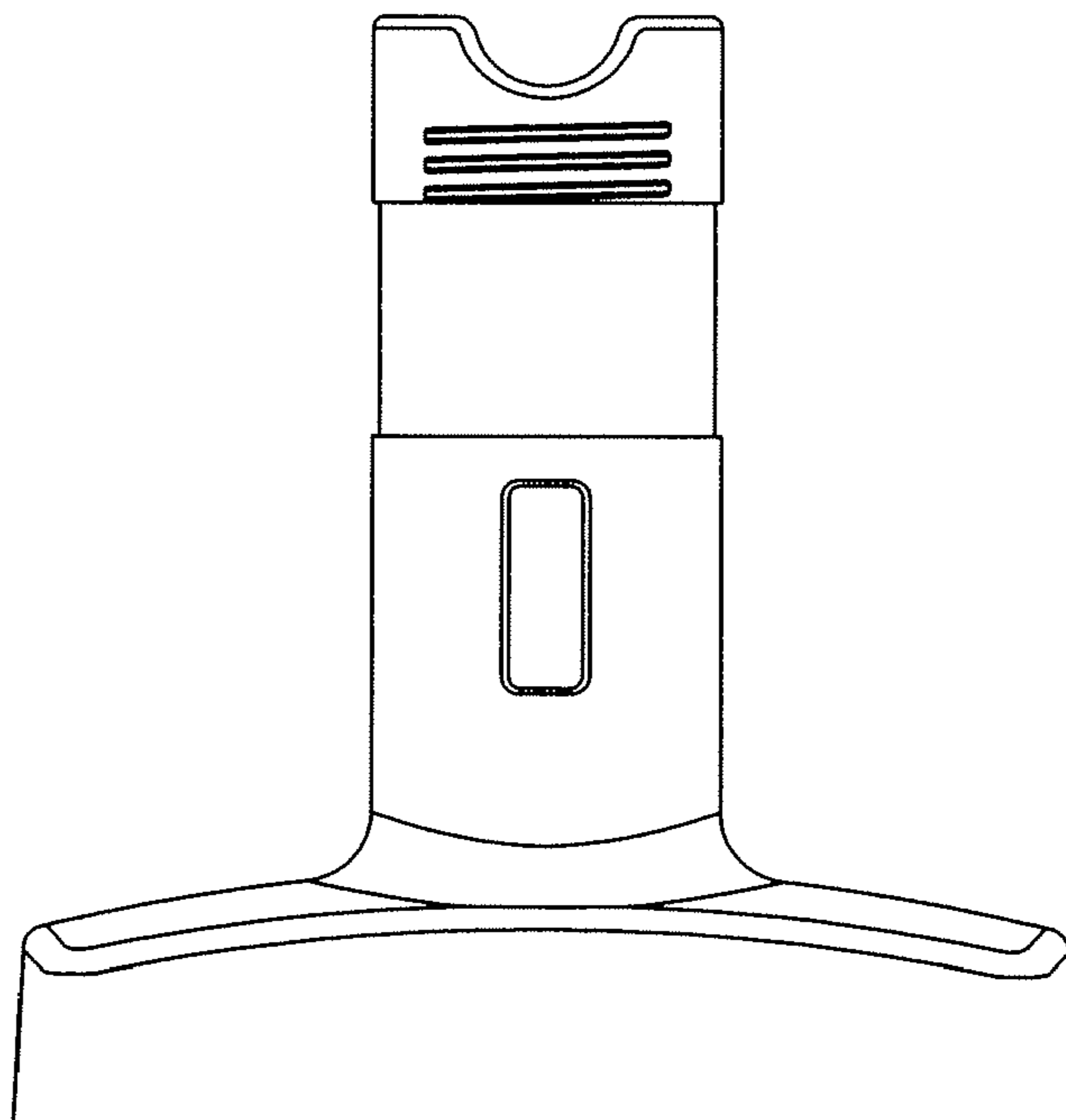


Fig. 11

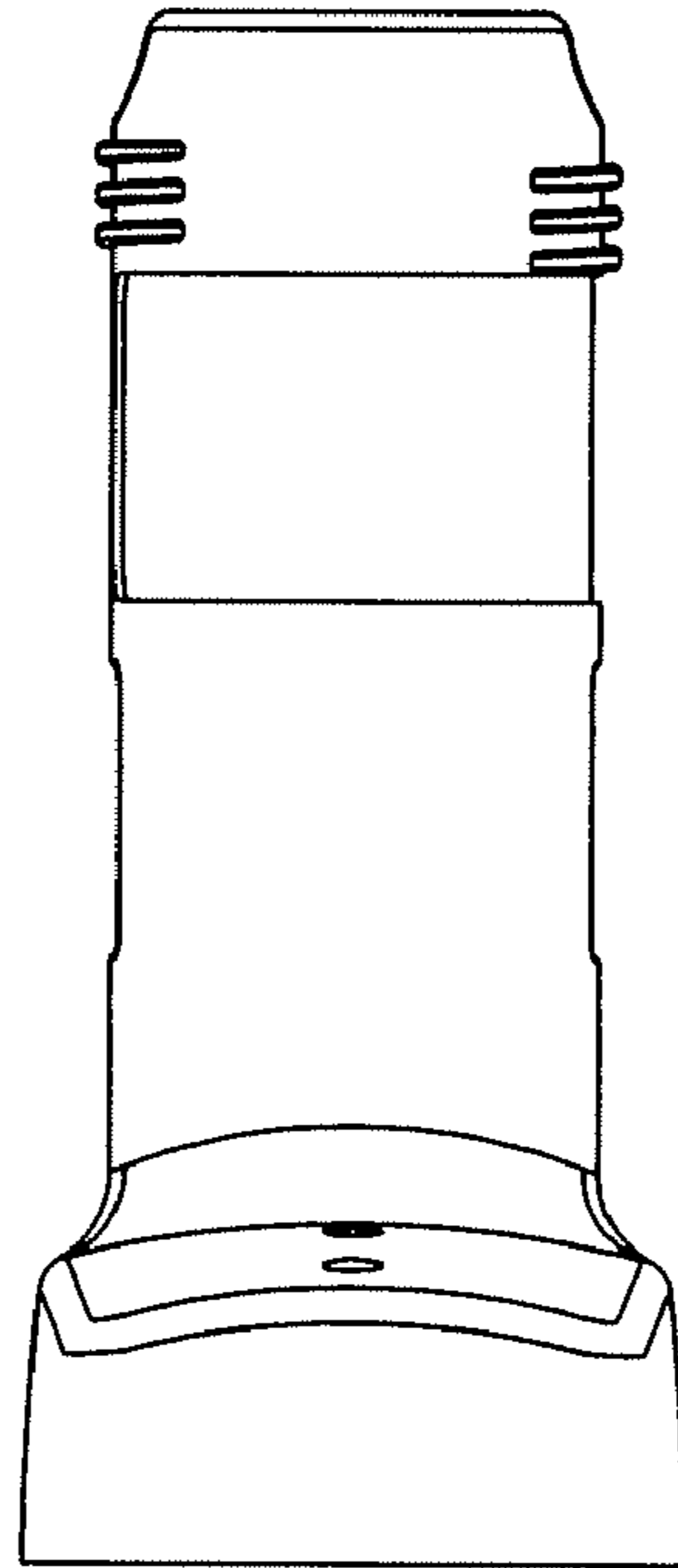


Fig. 12

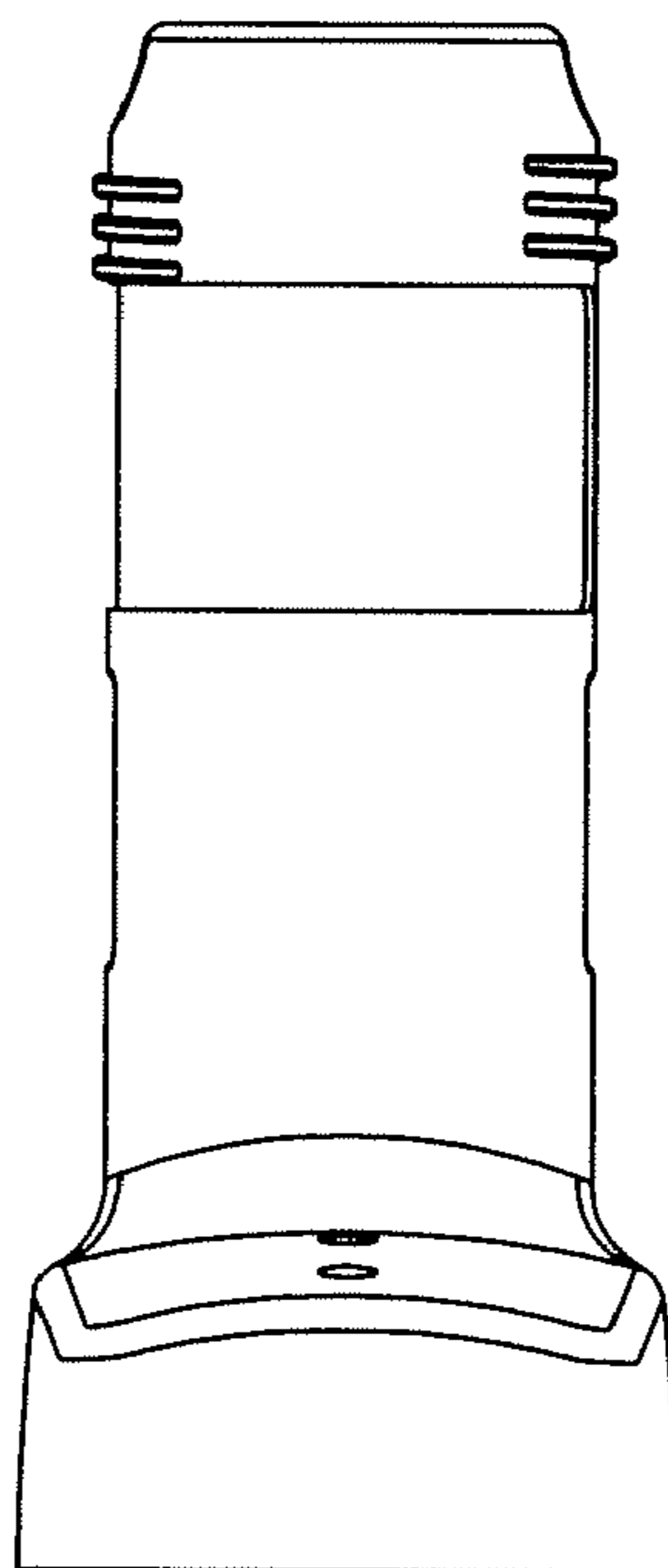


Fig. 13

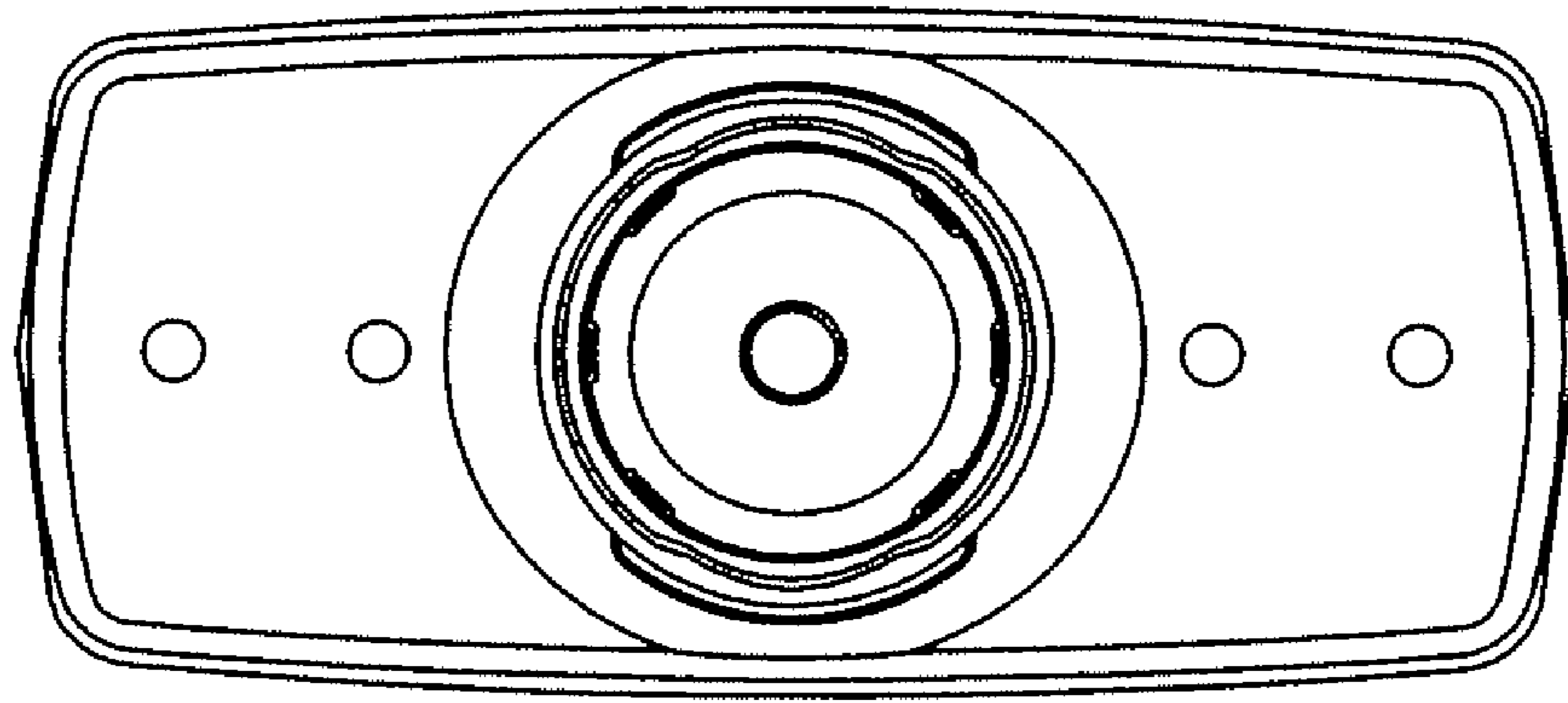


Fig. 14

