



US00D582617S

(12) **United States Design Patent**
van der Meijden et al.

(10) **Patent No.:** **US D582,617 S**

(45) **Date of Patent:** **** Dec. 9, 2008**

(54) **POOL CLEANER COMPONENT**

(75) Inventors: **Hendrikus Johannes van der Meijden**,
Midrand (ZA); **Michael Edward Moore**,
Johannesburg (ZA); **Alexis Adrian**
Felipe Wadman, Amstelveen (NL);
Peter Hugh Harrison, Centurion (ZA)

(73) Assignee: **Zodiac Pool Care, Inc.**, Moorpark, CA
(US)

(**) Term: **14 Years**

(21) Appl. No.: **29/295,262**

(22) Filed: **Sep. 25, 2007**

(51) **LOC (8) Cl.** **15-05**

(52) **U.S. Cl.** **D32/25**

(58) **Field of Classification Search** D32/1,
D32/15, 21, 25, 35, 40, 50-52; 210/416.2;
15/1.7, 147.2, 209.1-210.1, 220.1, 228, 229.3-229.4,
15/229.7-229.8, 244.1, 246, 420; 137/494;
180/116, 119-120; 55/373; 4/496, 507
See application file for complete search history.

(56) **References Cited**

U.S. PATENT DOCUMENTS

D433,545 S * 11/2000 Hollinger et al. D32/1
D443,959 S * 6/2001 Leibson D32/15
6,513,190 B1 * 2/2003 Allgeier et al. 15/387

6,711,777 B2 * 3/2004 Frederick et al. 15/387
D566,351 S * 4/2008 Crevling et al. D32/25
2008/0109972 A1 * 5/2008 Mah et al. 15/1.7

* cited by examiner

Primary Examiner—Louis S Zarfaz

Assistant Examiner—Kathleen M Sims

(74) *Attorney, Agent, or Firm*—Dean W. Russell; Michael A.
Bertelson; Kilpatrick Stockton LLP

(57) **CLAIM**

The ornamental design for a pool cleaner component, as
shown and described.

DESCRIPTION

FIG. 1 shows a perspective view of a pool cleaner component,
showing our new design;

FIG. 2 shows a rear elevation view thereof;

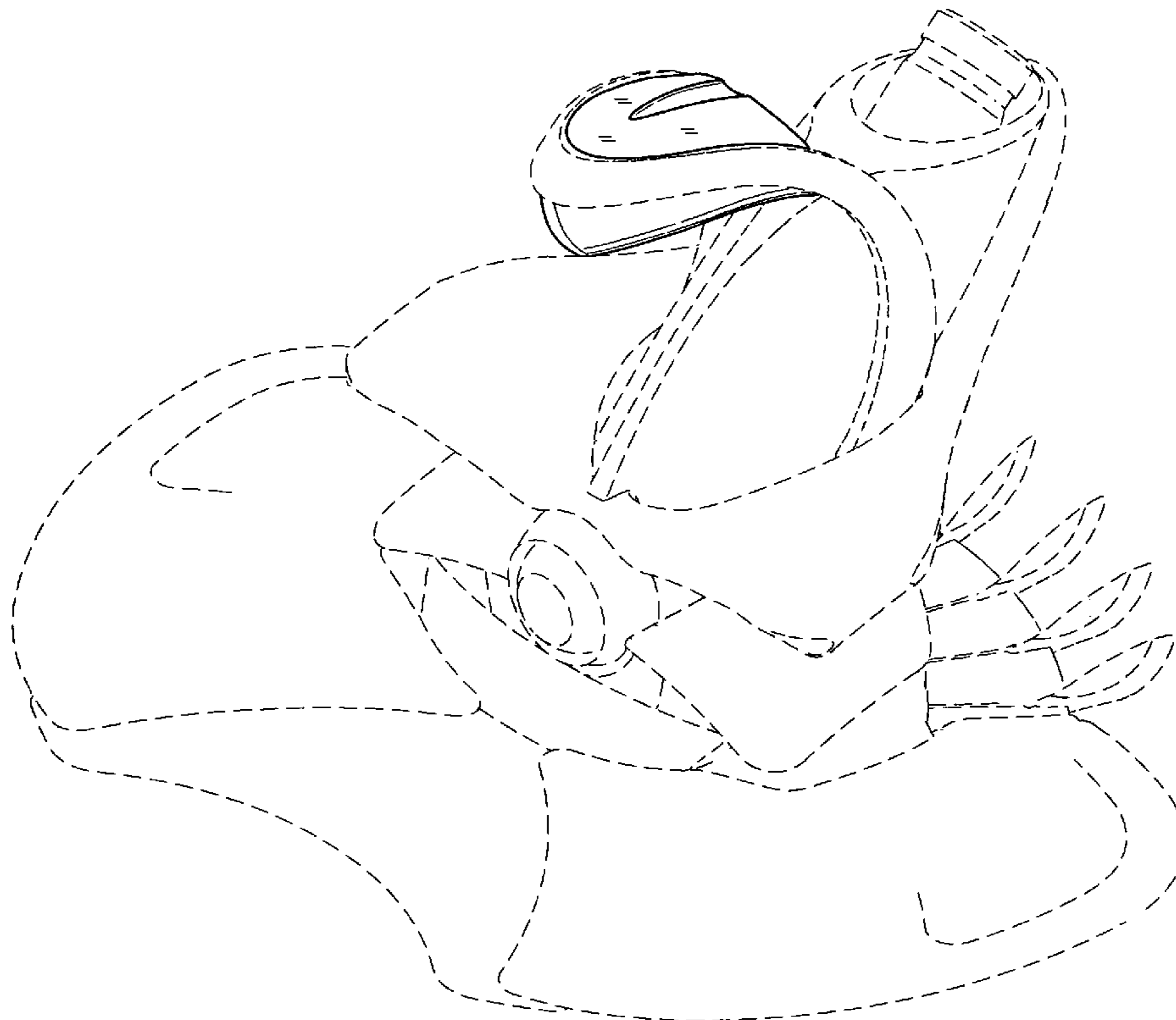
FIG. 3 shows a left side elevation view thereof, the right side
elevation view being a mirror image;

FIG. 4 shows a front view thereof; and,

FIG. 5 shows a top view thereof.

Portions or features of the pool cleaner component not shown
in the drawings form no part of the claimed design. The
broken line showing of parts in FIGS. 1-5 is included for the
purpose of illustrating environment of the pool cleaner com-
ponent and forms no part of the claimed design.

1 Claim, 5 Drawing Sheets



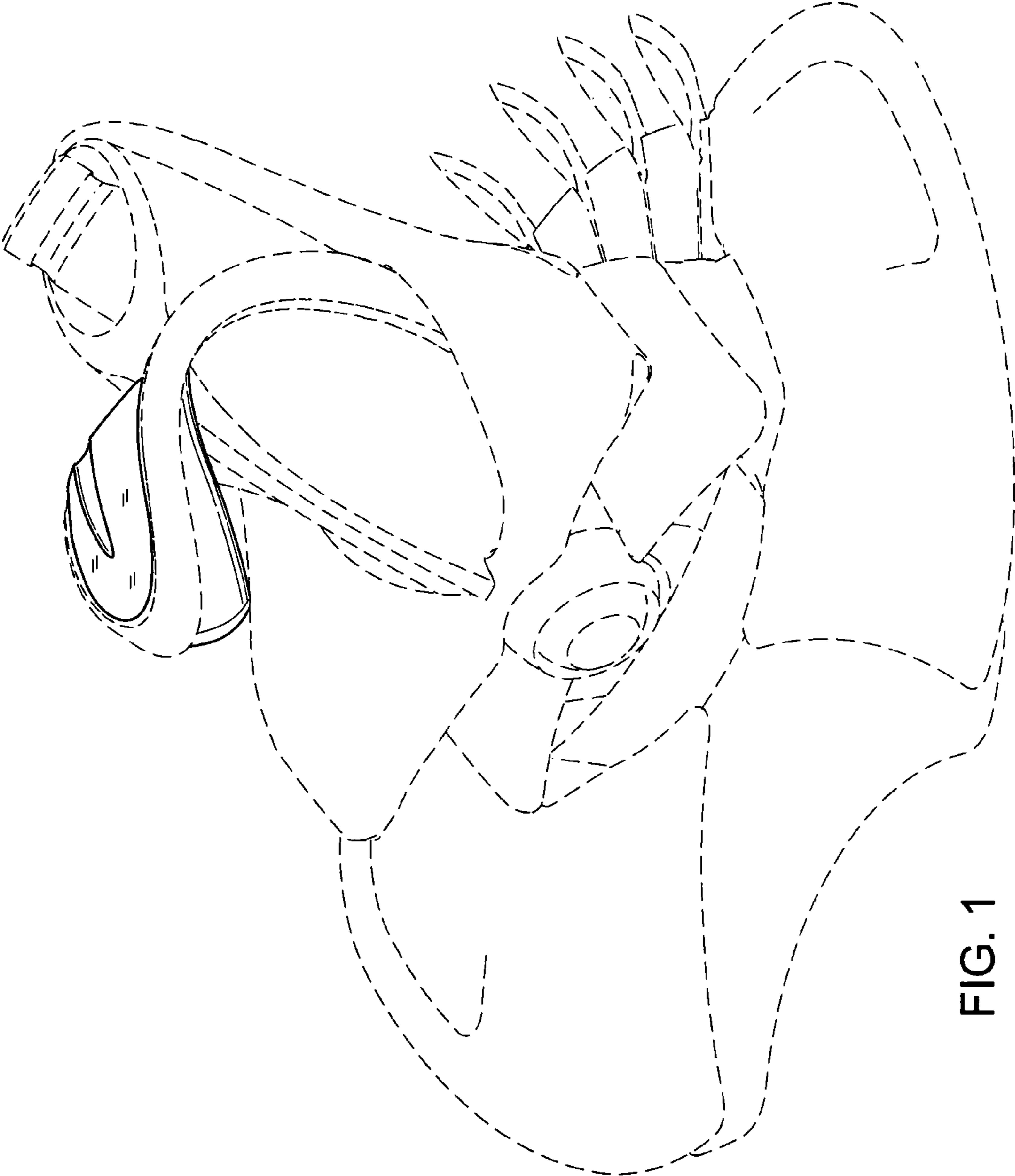


FIG. 1

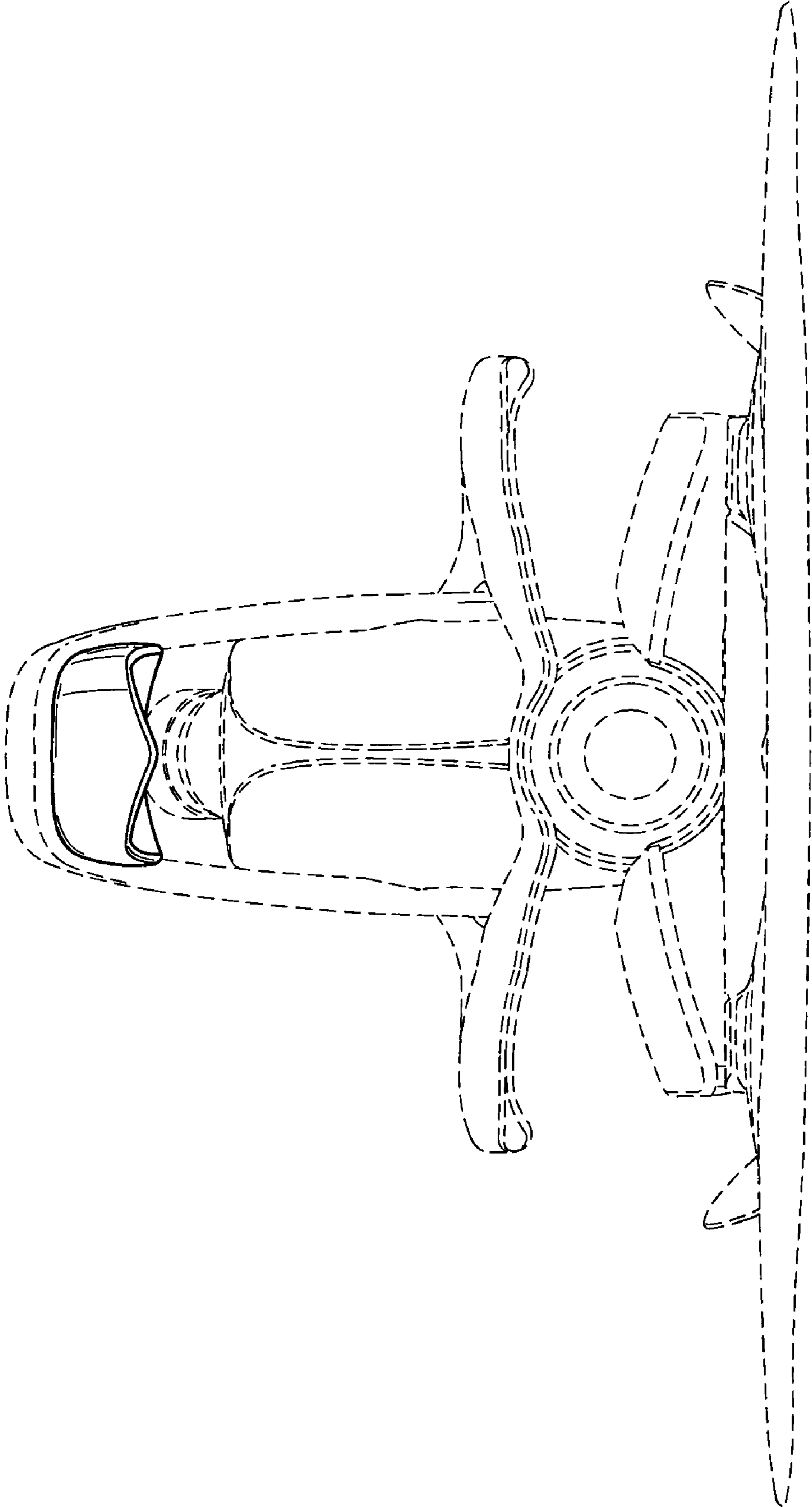


FIG. 2

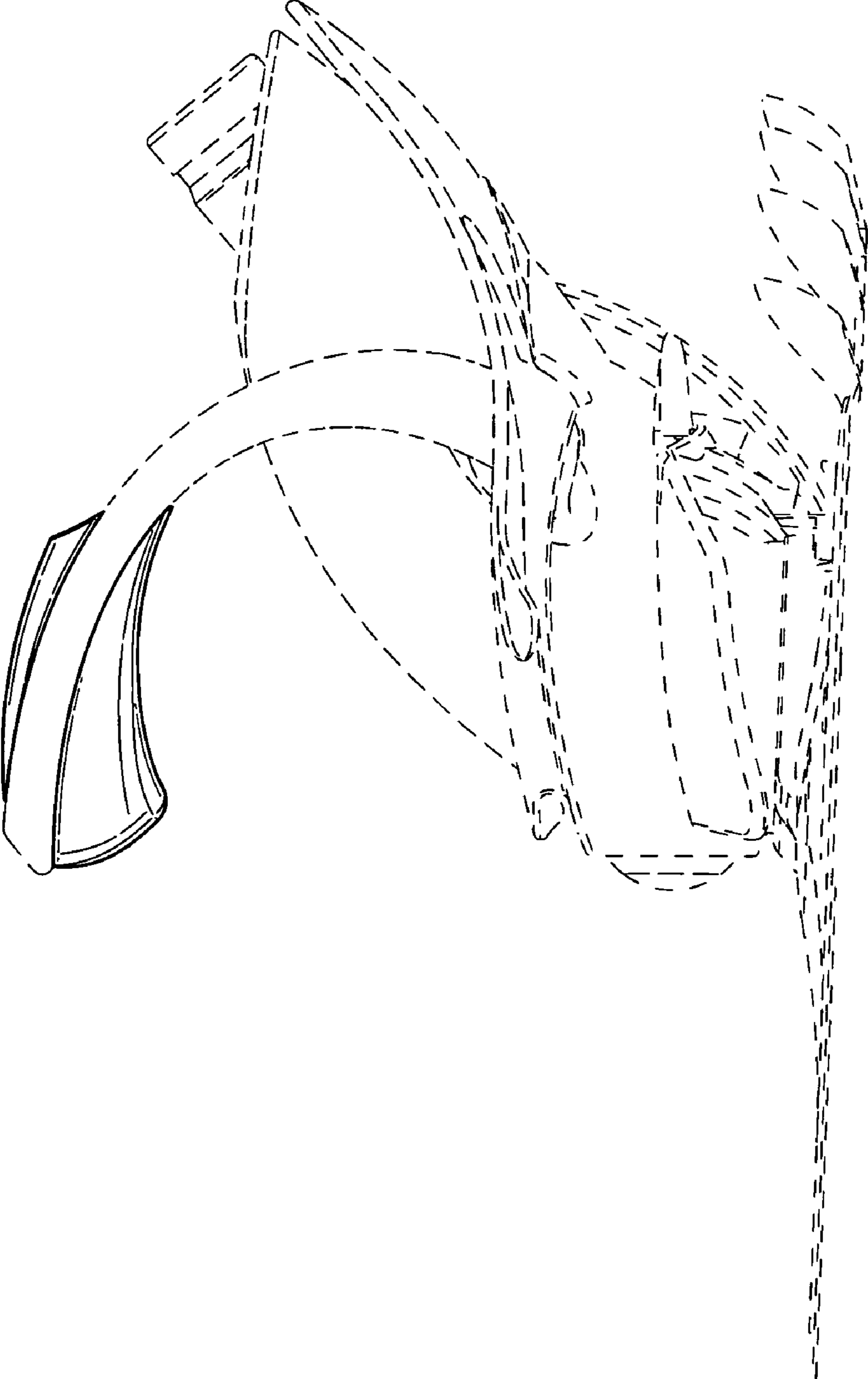


FIG. 3

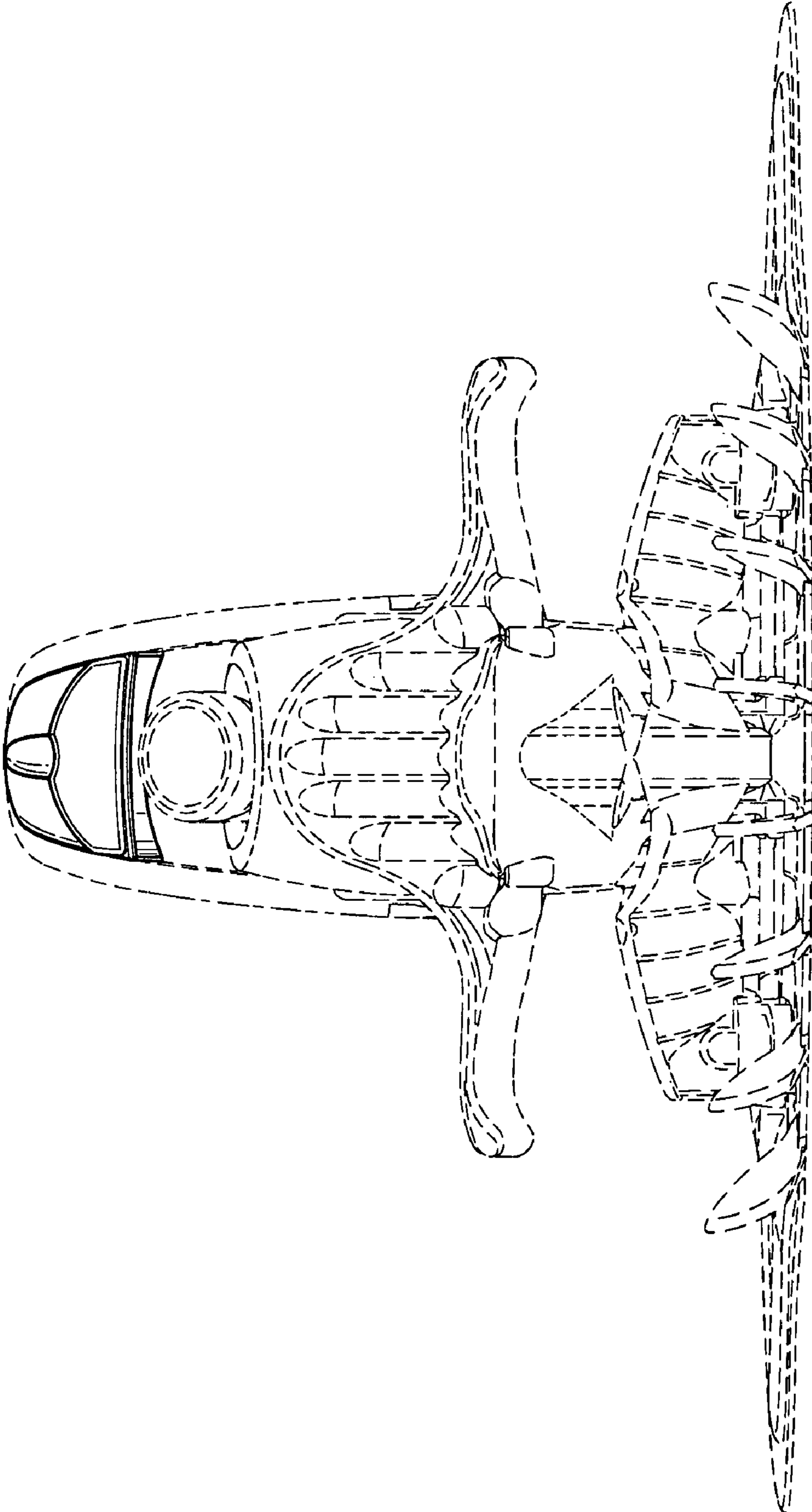


FIG. 4

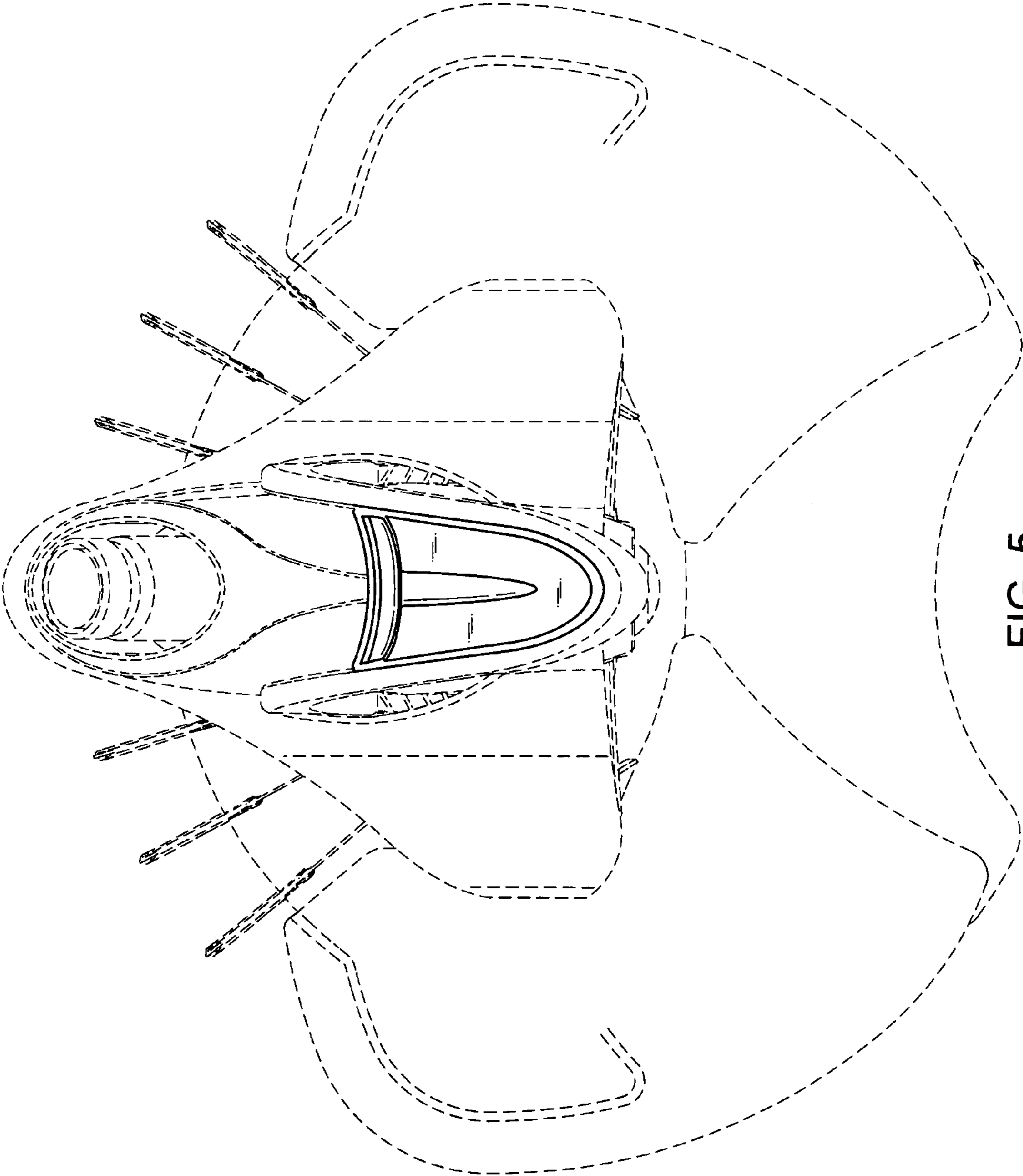


FIG. 5