



US00D582616S

(12) **United States Design Patent**
Helm et al.

(10) **Patent No.:** **US D582,616 S**
(45) **Date of Patent:** **** Dec. 9, 2008**

(54) **MILKING CLAW FOR GOATS AND SHEEP**

5,590,622 A * 1/1997 Wilson et al. 119/14.54
7,021,239 B2 * 4/2006 Steingraber et al. 119/14.54

(75) Inventors: **Thorsten Helm**, Sassenberg (DE);
Alexander Boehm, Ahlen/Dolberg (DE)

(73) Assignee: **GEA WestfaliaSurge GmbH**, Bonen
(DE)

(**) Term: **14 Years**

(21) Appl. No.: **29/268,853**

(22) Filed: **Nov. 14, 2006**

(30) **Foreign Application Priority Data**

May 15, 2006 (EM) 00528245

(51) **LOC (8) Cl.** **30-99**

(52) **U.S. Cl.** **D30/199**

(58) **Field of Classification Search** D30/199,
D30/121; 119/14.54, 14.55, 14.36, 14.39,
119/14.37

See application file for complete search history.

(56) **References Cited**

U.S. PATENT DOCUMENTS

5,291,853 A * 3/1994 Steingraber et al. 119/14.54

* cited by examiner

Primary Examiner—Melanie Tung

Assistant Examiner—Susan Moon Lee

(74) *Attorney, Agent, or Firm*—Smith Law Office

(57) **CLAIM**

The ornamental design for a milking claw for goats and sheep.

DESCRIPTION

FIG. 1 is an enlarged front side perspective view of a milking claw for goats and sheep showing our new design;

FIG. 2 is a front elevational view thereof;

FIG. 3 is a perspective view of a rear side thereof;

FIG. 4 is a rear elevational view thereof;

FIG. 5 is a left side elevational view thereof; and,

FIG. 6 is an enlarged right side perspective view thereof.

1 Claim, 4 Drawing Sheets

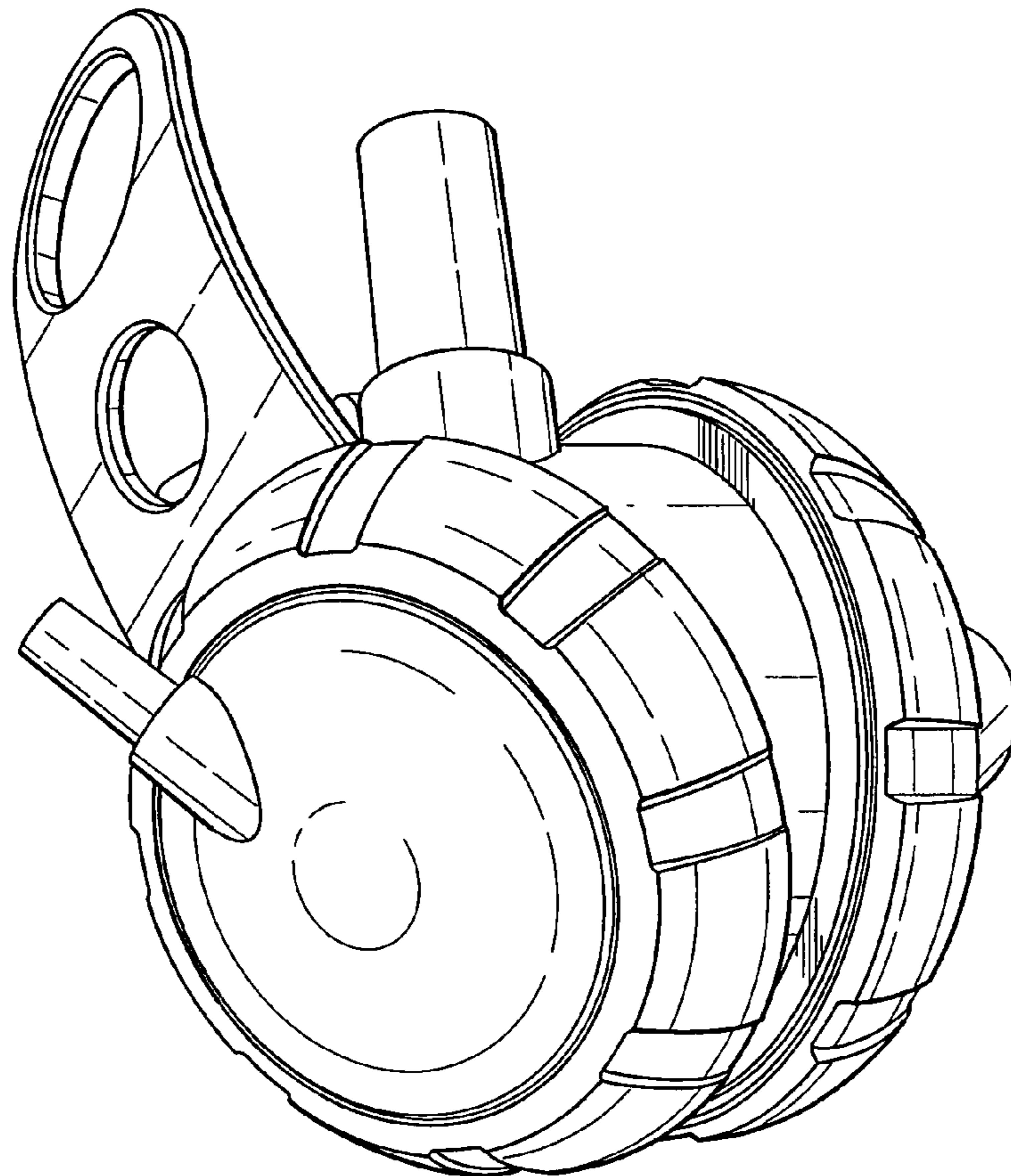


Fig. 1

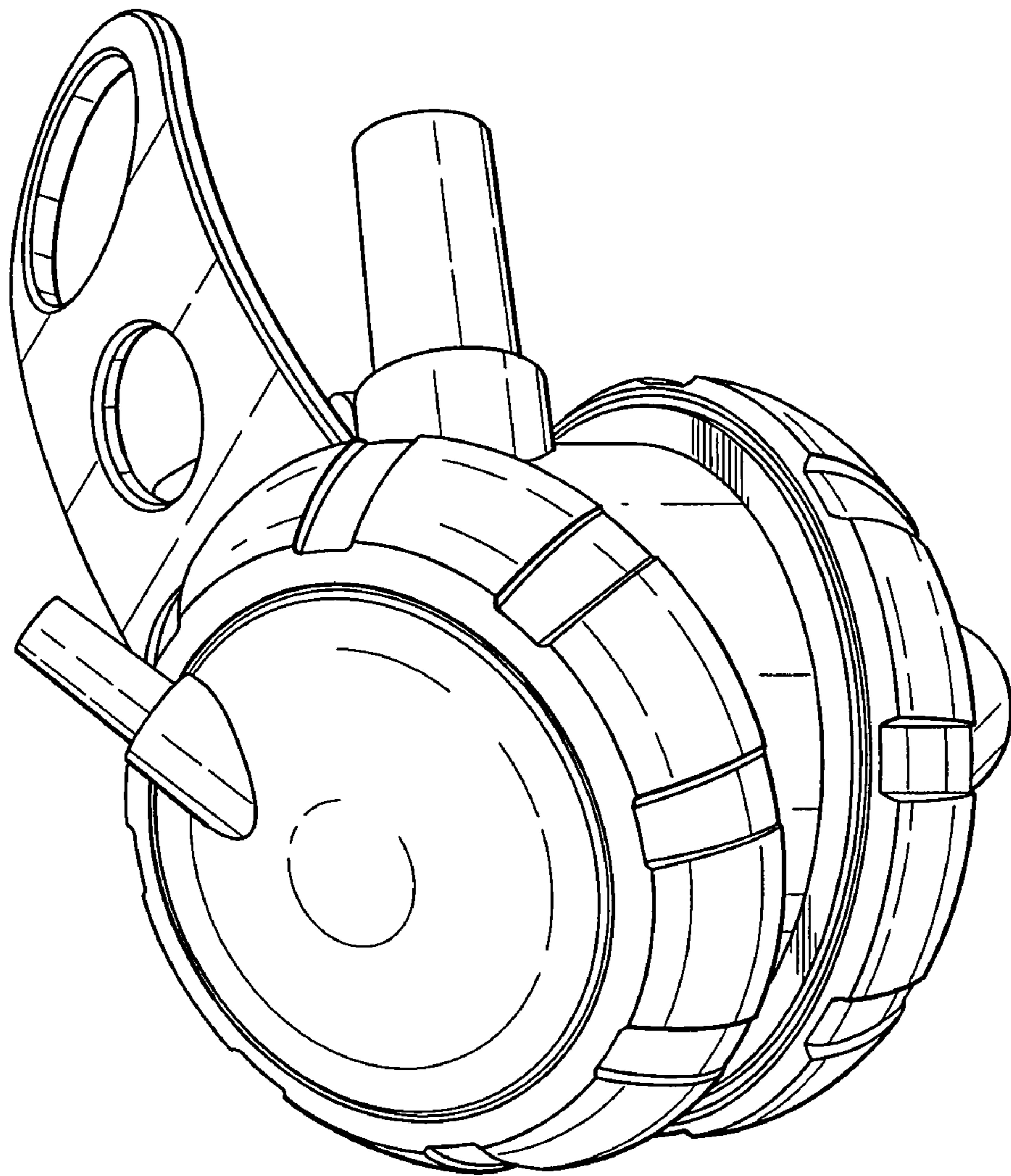


Fig. 2

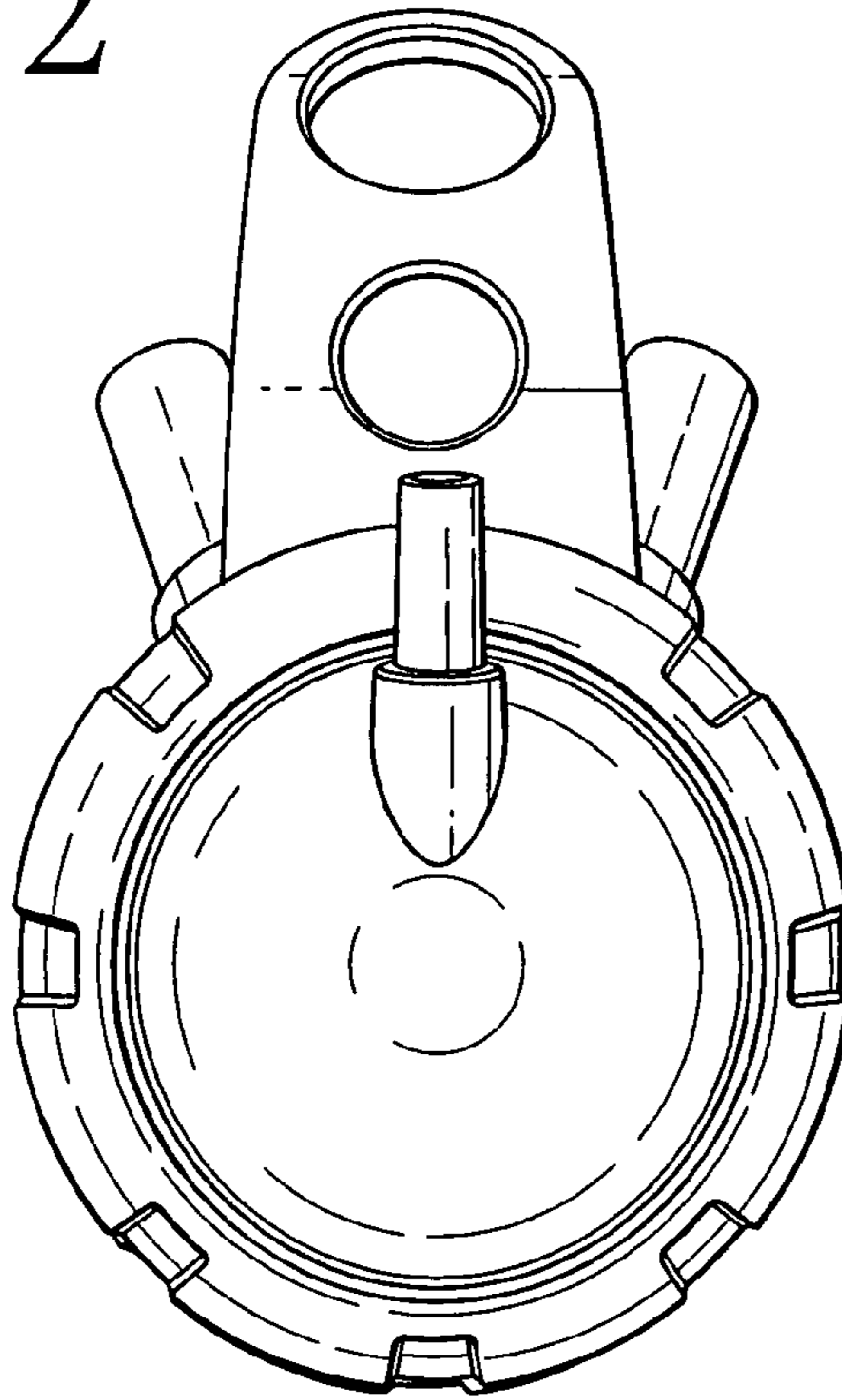


Fig. 3

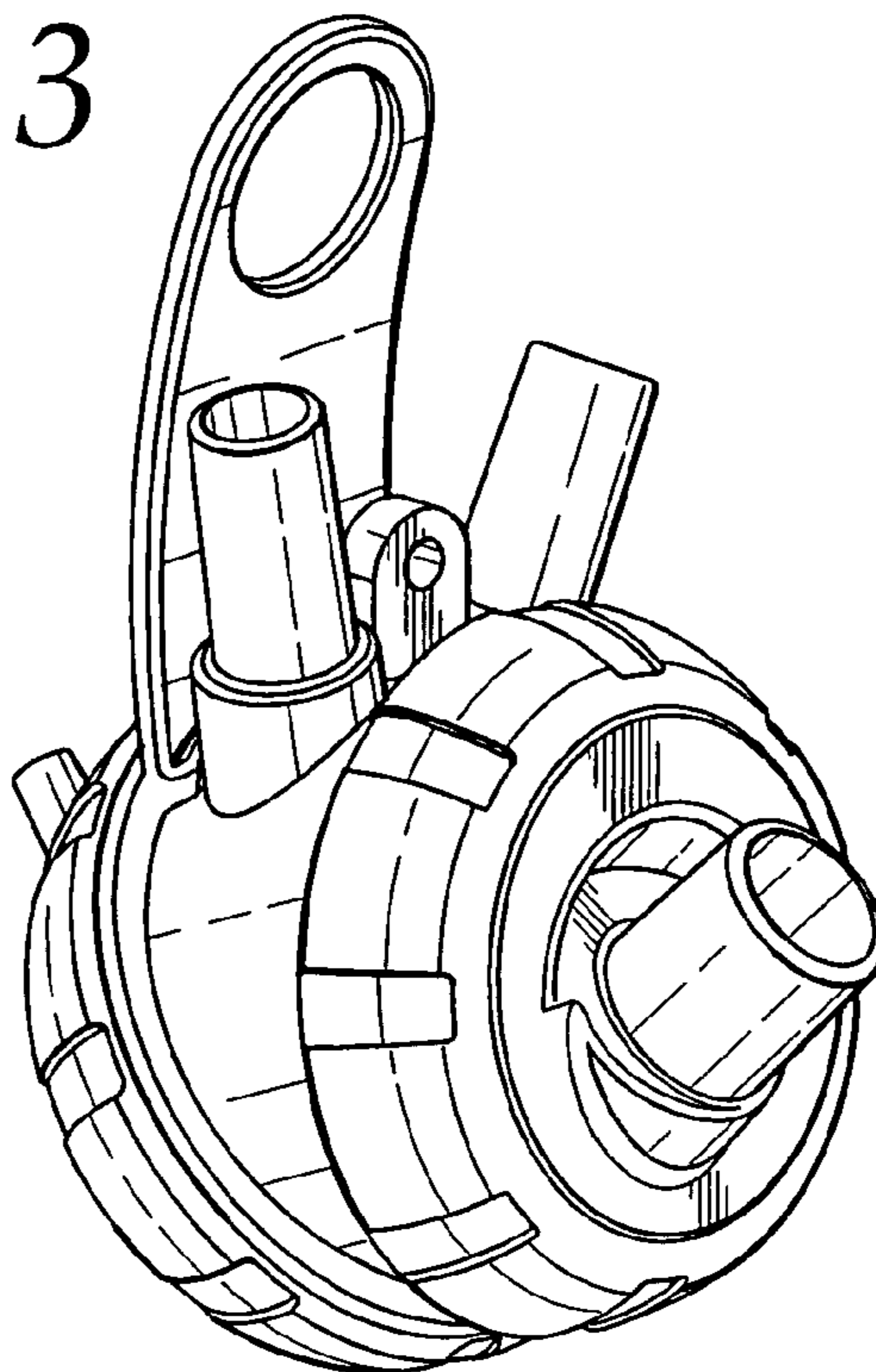


Fig. 4

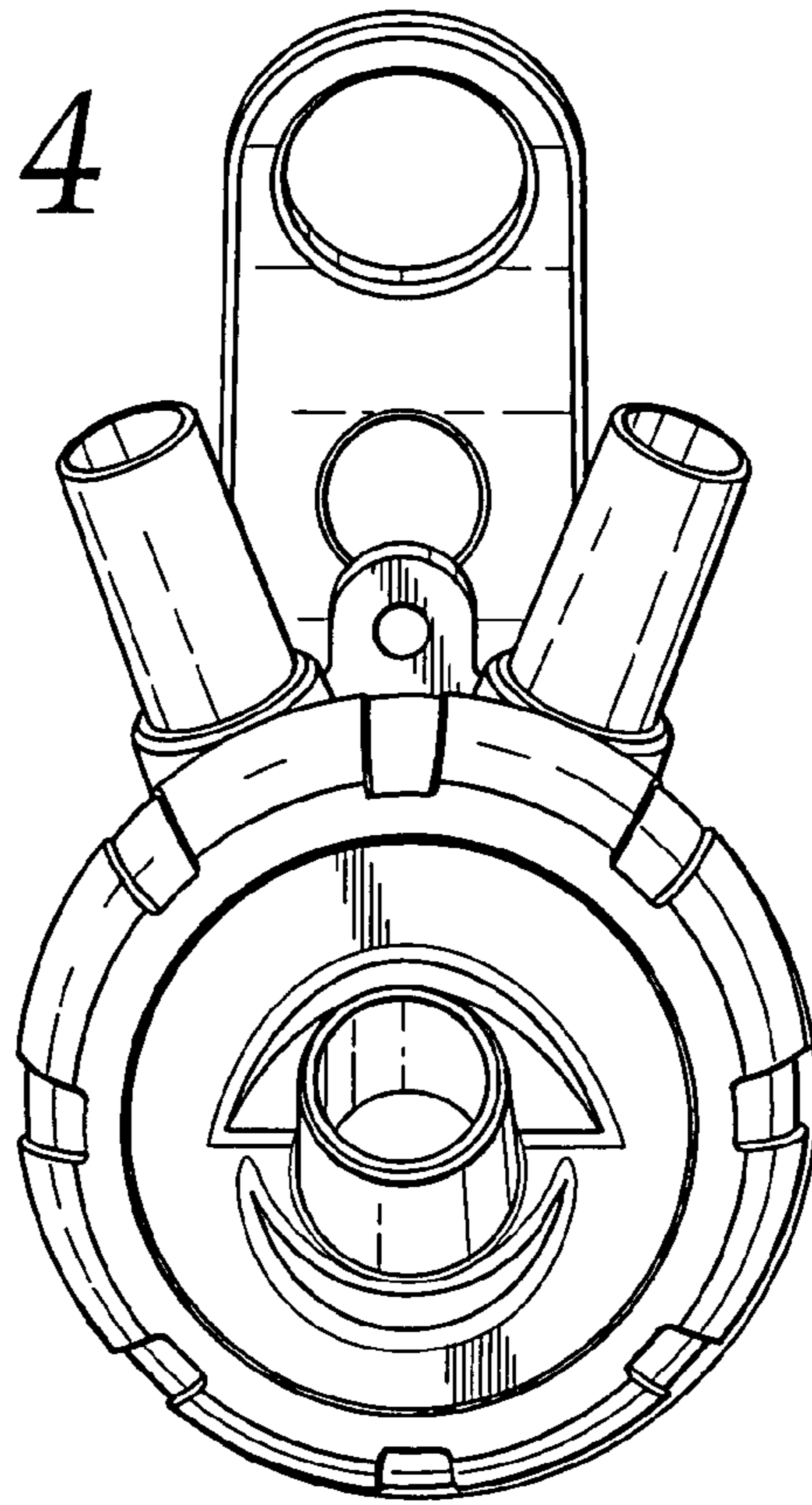


Fig. 5

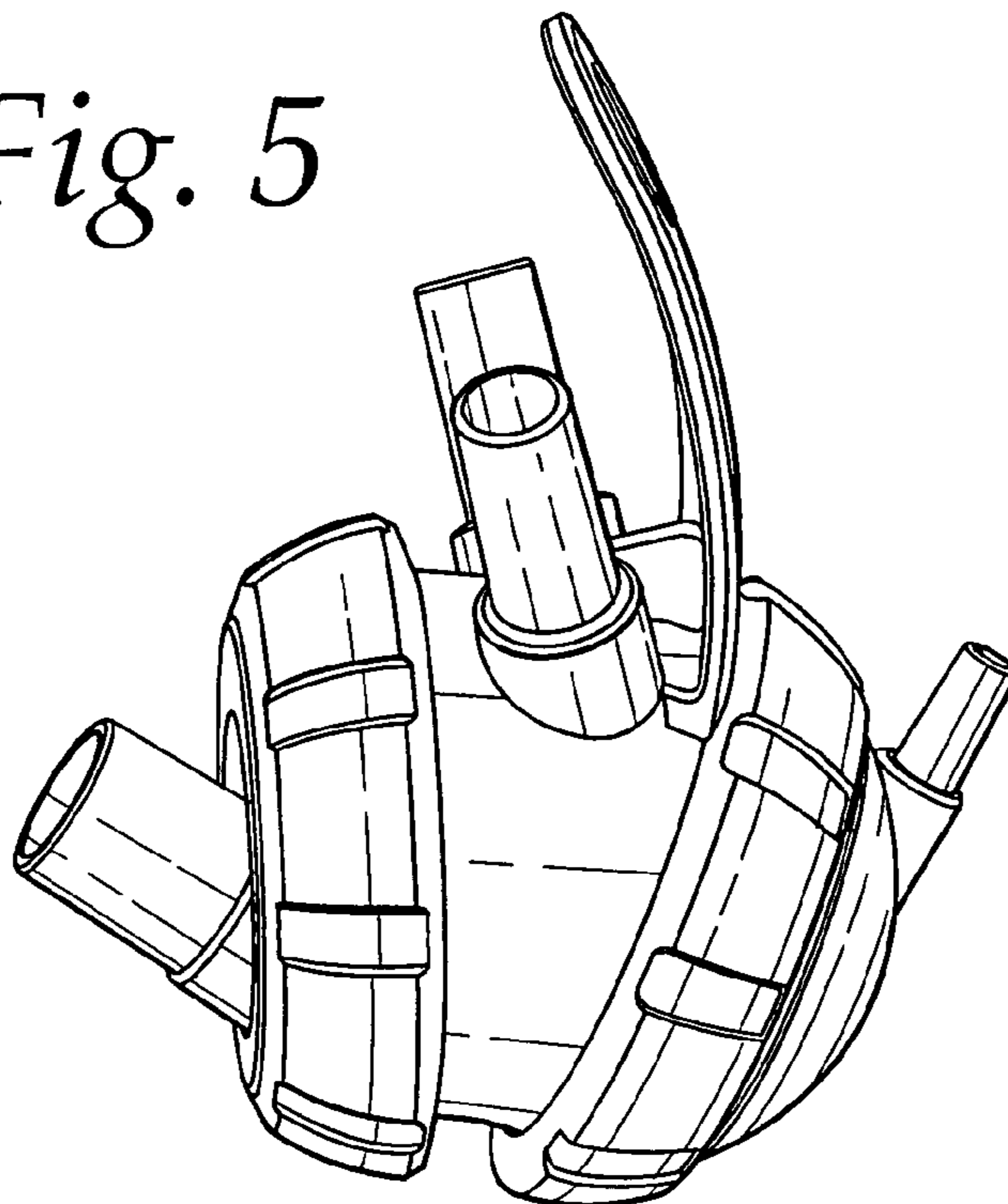


Fig. 6

