



US00D582615S

(12) **United States Design Patent**
Tamura et al.

(10) **Patent No.:** **US D582,615 S**
(45) **Date of Patent:** **** Dec. 9, 2008**

(54) **EXERCISE EQUIPMENT FOR PETS**

(75) Inventors: **Yuji Tamura**, Tokyo (JP); **Misao Yamanaka**, Tokyo (JP); **Takaaki Ishii**, Tokyo (JP)

(73) Assignee: **Konami Sports & Life Co., Ltd.**, Tokyo (JP)

(**) Term: **14 Years**

(21) Appl. No.: **29/271,491**

(22) Filed: **Jan. 19, 2007**

(30) **Foreign Application Priority Data**

Jul. 26, 2006 (JP) D2006-019670

(51) **LOC (8) Cl.** **30-99**

(52) **U.S. Cl.** **D30/160**

(58) **Field of Classification Search** D30/160;
D24/211-212; 119/702, 706-711
See application file for complete search history.

(56) **References Cited**

U.S. PATENT DOCUMENTS

D185,322	S	*	5/1959	Scholl	D24/212
4,972,305	A	*	11/1990	Blackburn	362/234
5,253,000	A	*	10/1993	Stoekner	353/46
5,367,349	A	*	11/1994	Zeiler	353/43
5,443,036	A	*	8/1995	Amiss et al.	119/707
D378,539	S	*	3/1997	Scott	D24/211
D403,076	S	*	12/1998	York	D24/211
5,934,223	A	*	8/1999	Ellery-Guy	119/702

D469,197	S	*	1/2003	Robinson	D26/37
6,505,576	B2	*	1/2003	Nathanson et al.	119/702
6,557,495	B2	*	5/2003	Lorenz	119/707
6,651,591	B1	*	11/2003	Chelen	119/707
6,701,872	B1	*	3/2004	Allen	119/707
D502,264	S	*	2/2005	Timmer	D24/211
2008/0011243	A1	*	1/2008	Moulton	119/707
2008/0011244	A1	*	1/2008	Gick	119/707

* cited by examiner

Primary Examiner—Cathy Anne MacCormac

(74) *Attorney, Agent, or Firm*—Jordan and Hamburg LLP

(57) **CLAIM**

The ornamental design for exercise equipment for pets, as shown and described.

DESCRIPTION

FIG. 1 is a first perspective view for exercise equipment for pets;

FIG. 2 is a second perspective view thereof;

FIG. 3 is a front view thereof;

FIG. 4 is a left side view thereof;

FIG. 5 is a right side view thereof;

FIG. 6 is a top view thereof; and,

FIG. 7 is a bottom view thereof.

The dash-dot-dash line represents a borderline between the claimed design and other portion. The portions shown by dotted and dash-dot-dash lines are for illustrative purposes only and form no part of the claimed design.

1 Claim, 4 Drawing Sheets

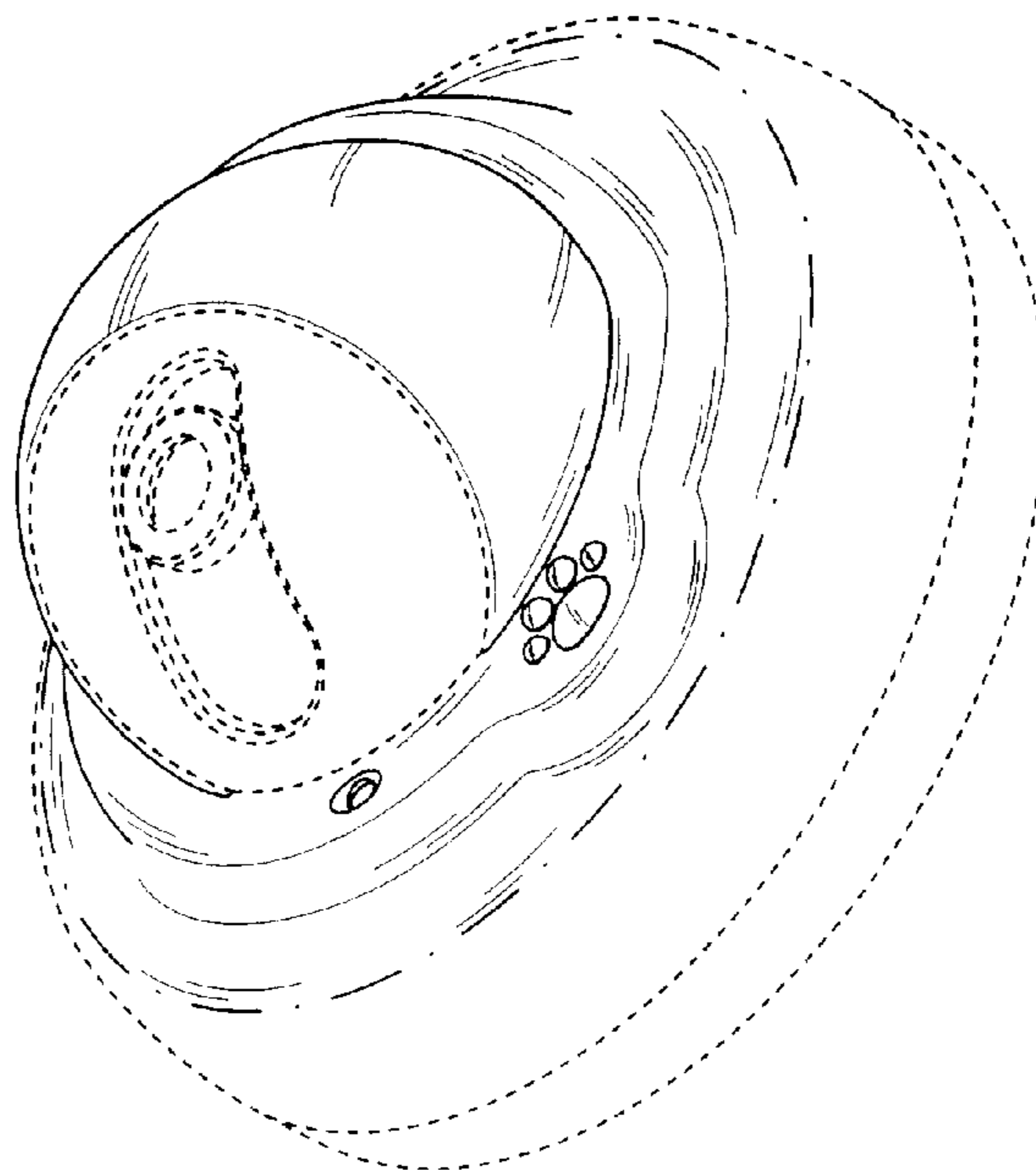
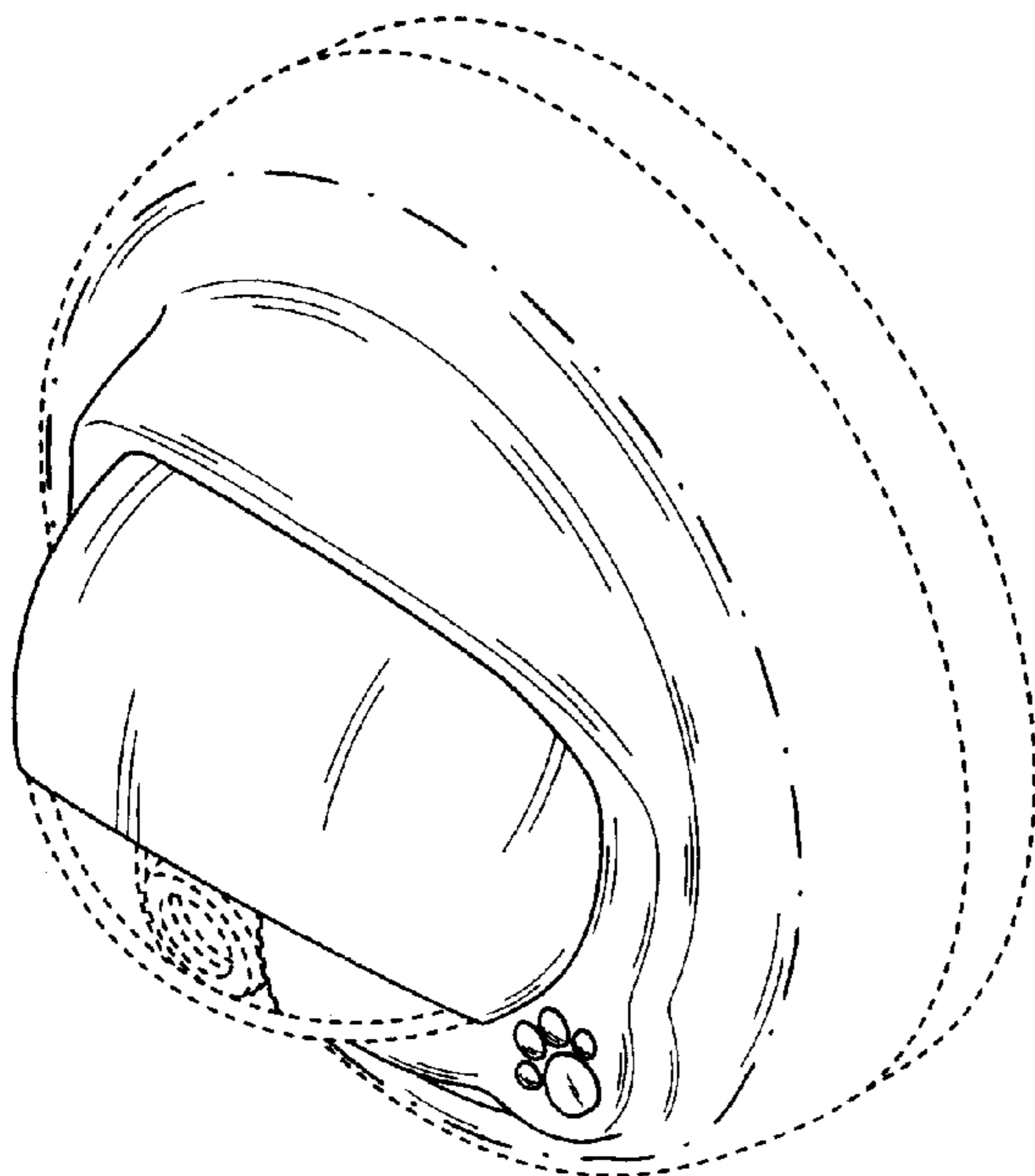


Fig.1

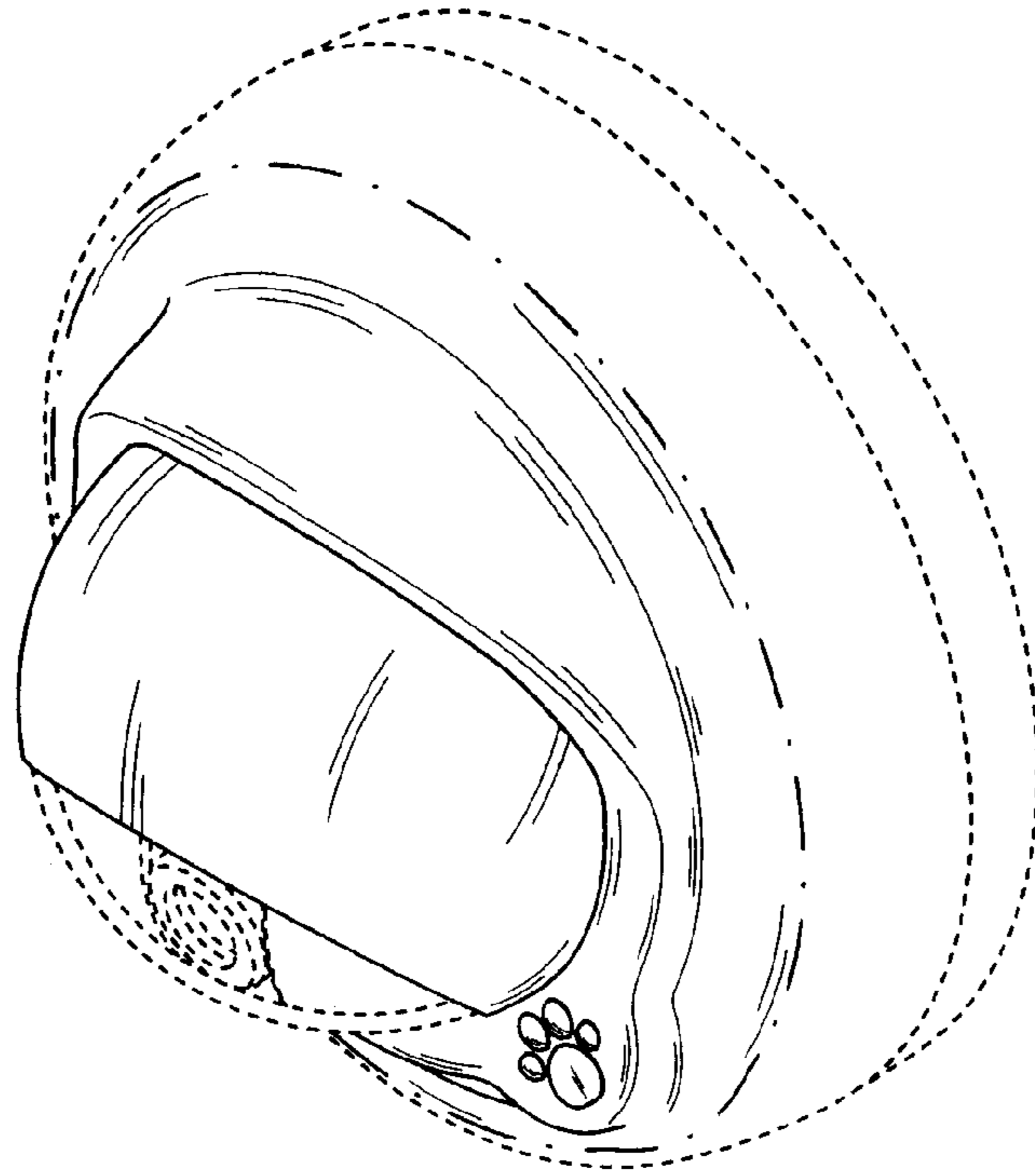


Fig.2

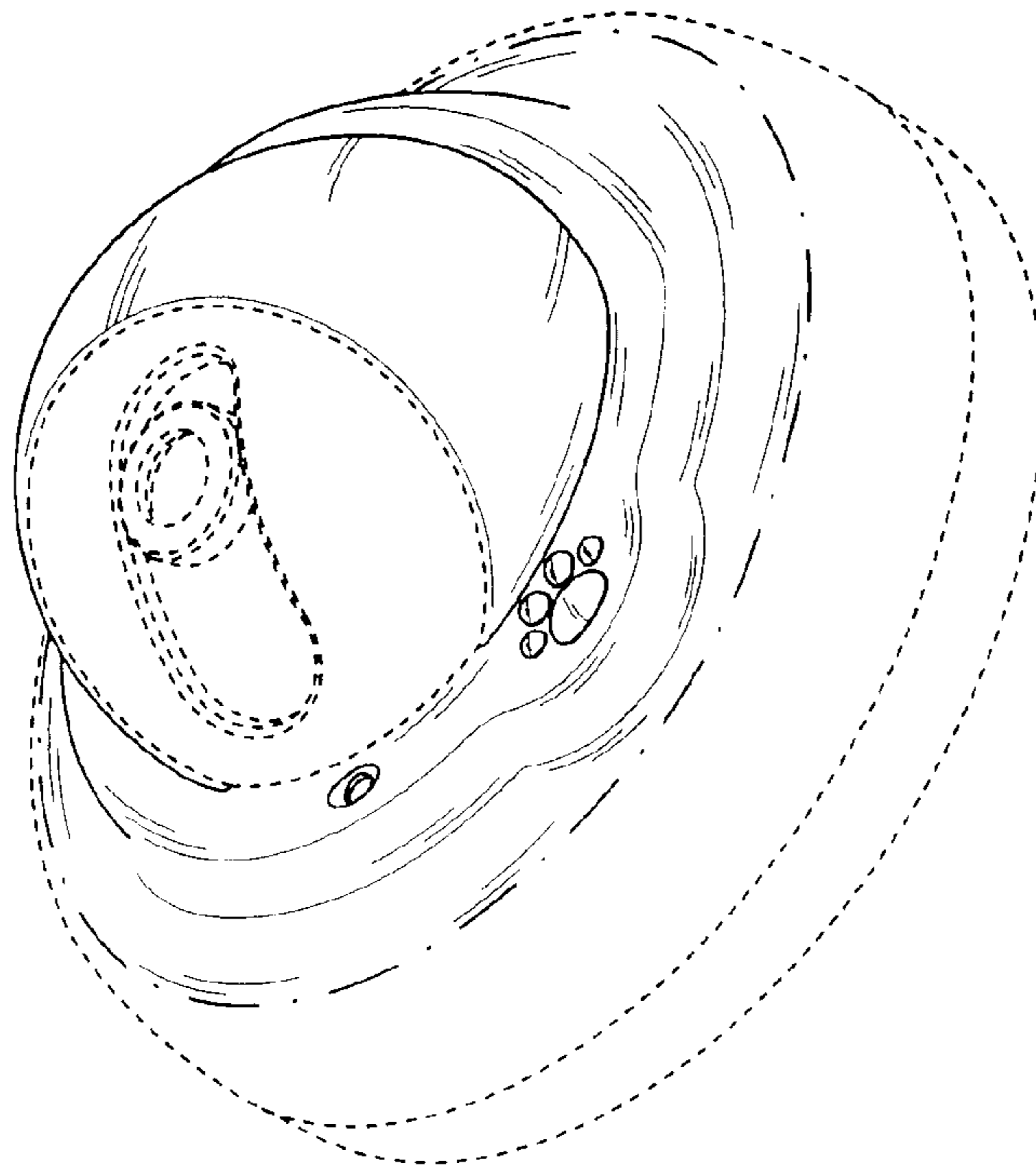


Fig.3

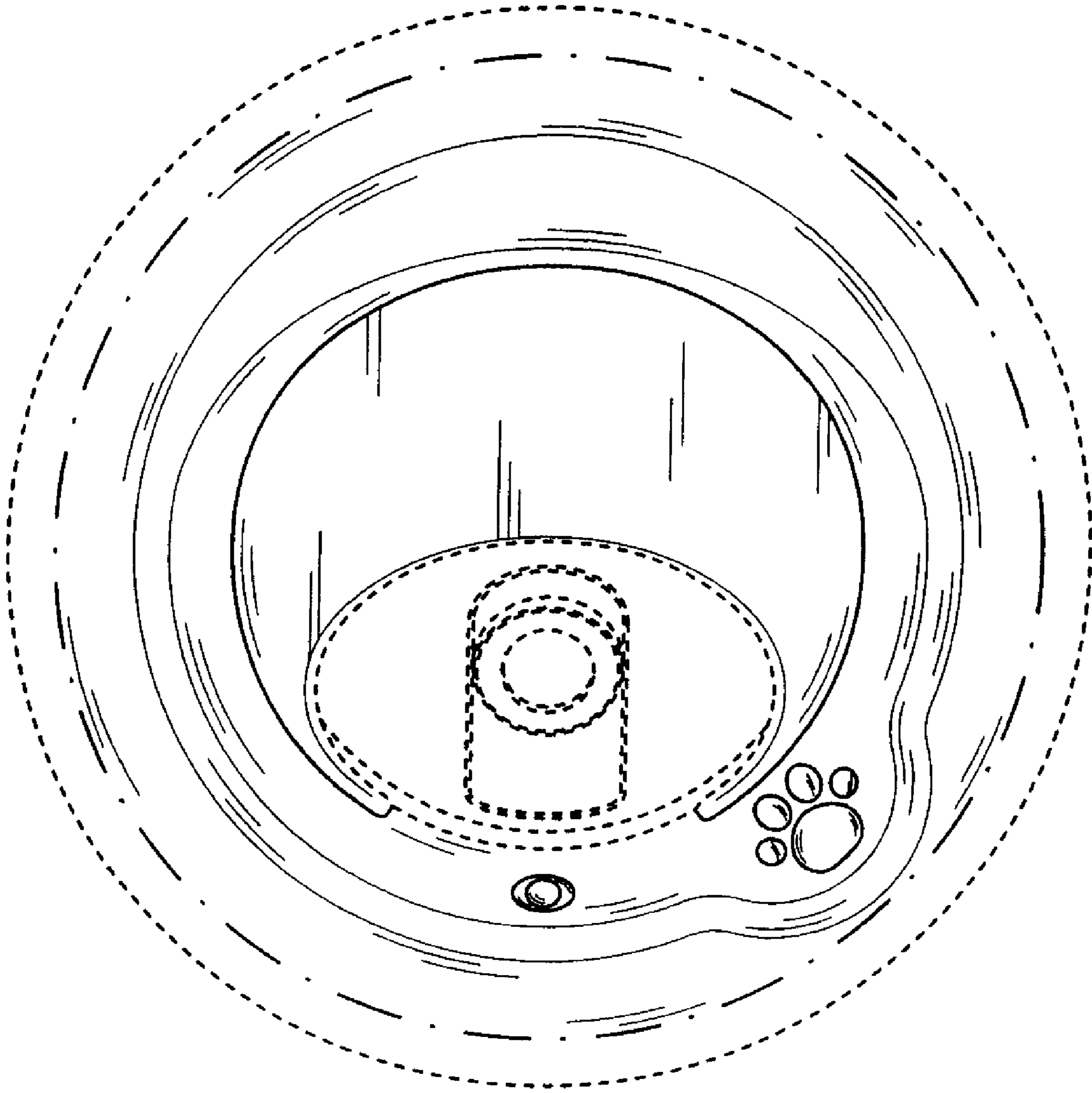


Fig.4

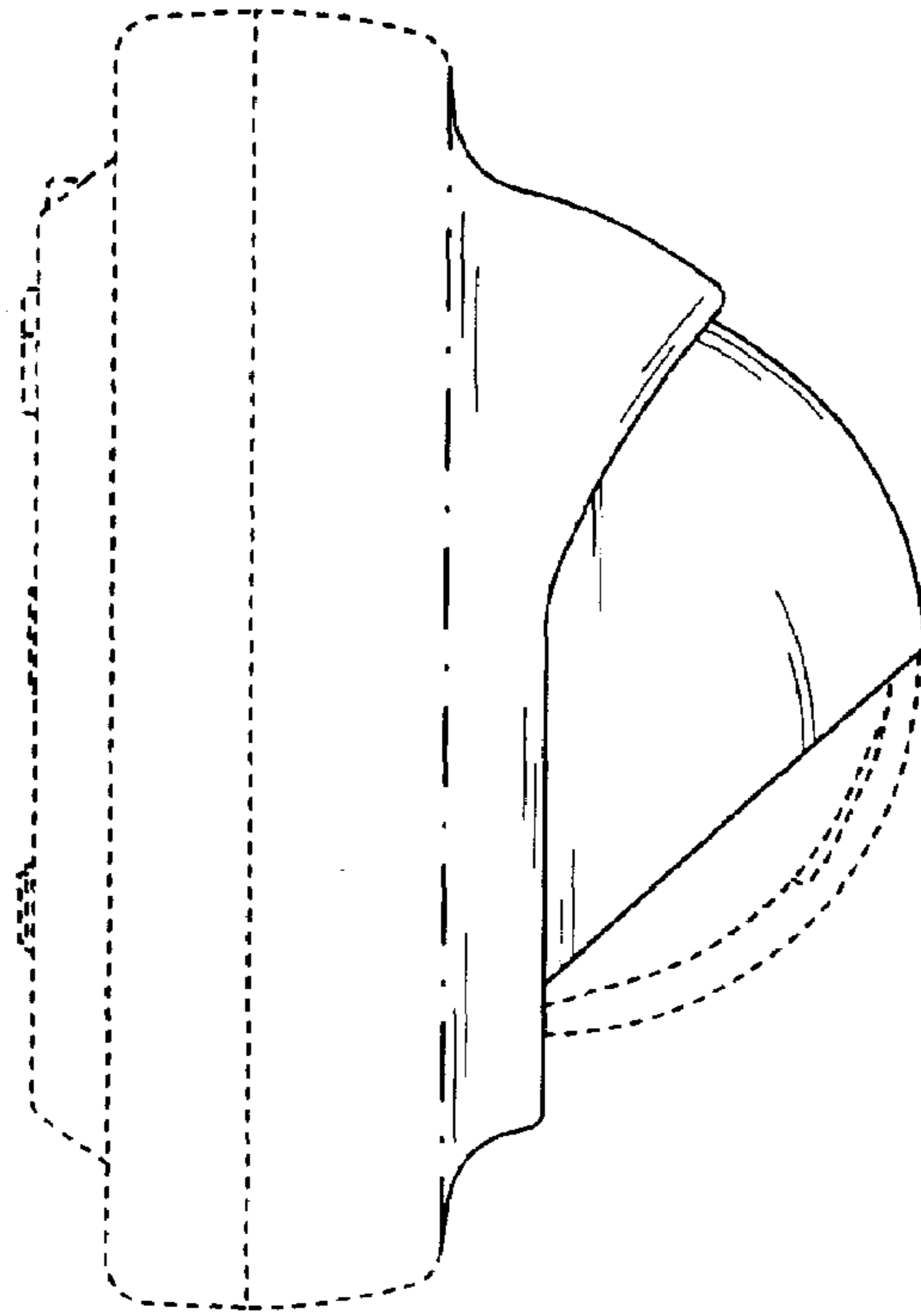


Fig.5

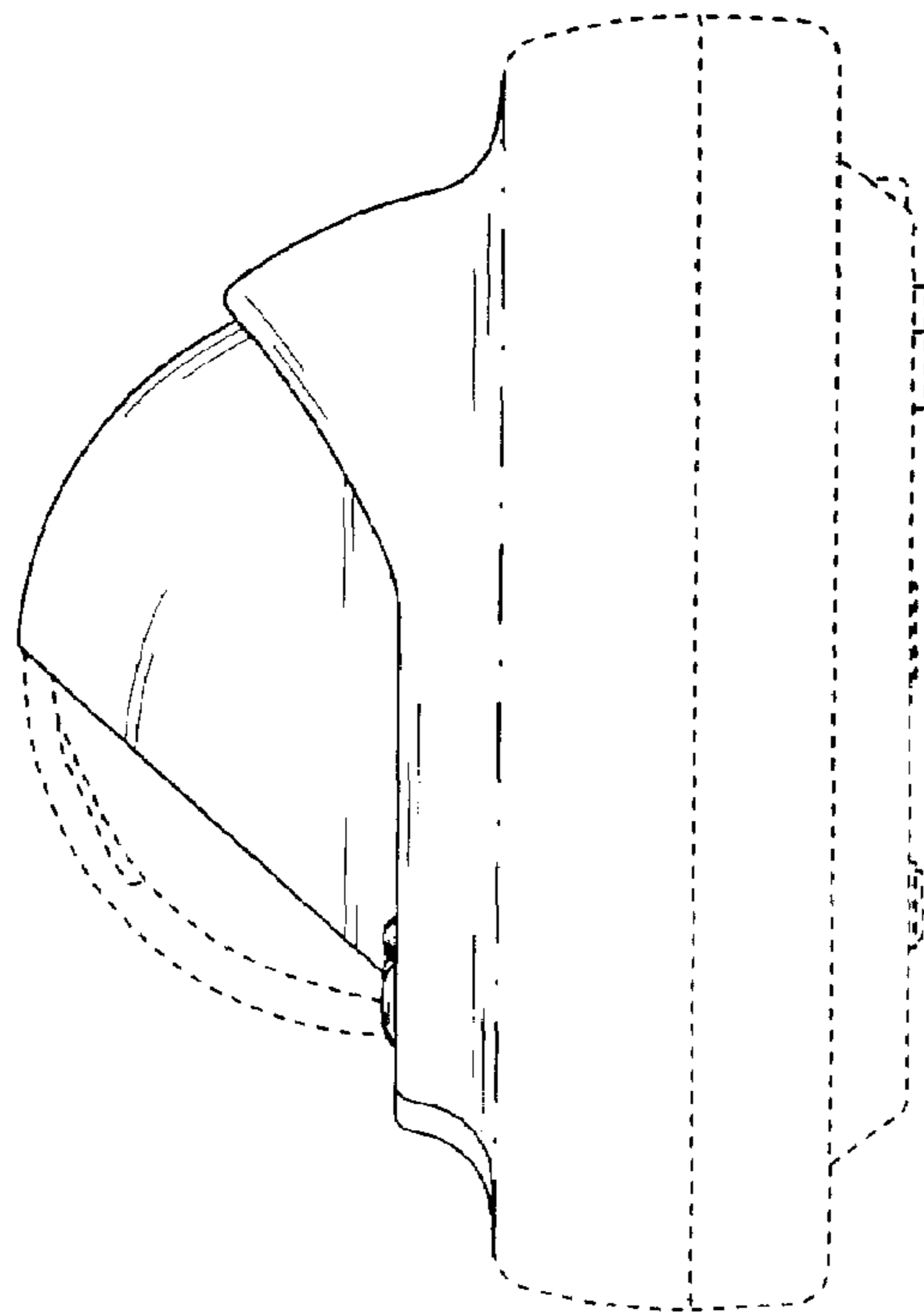


Fig.6

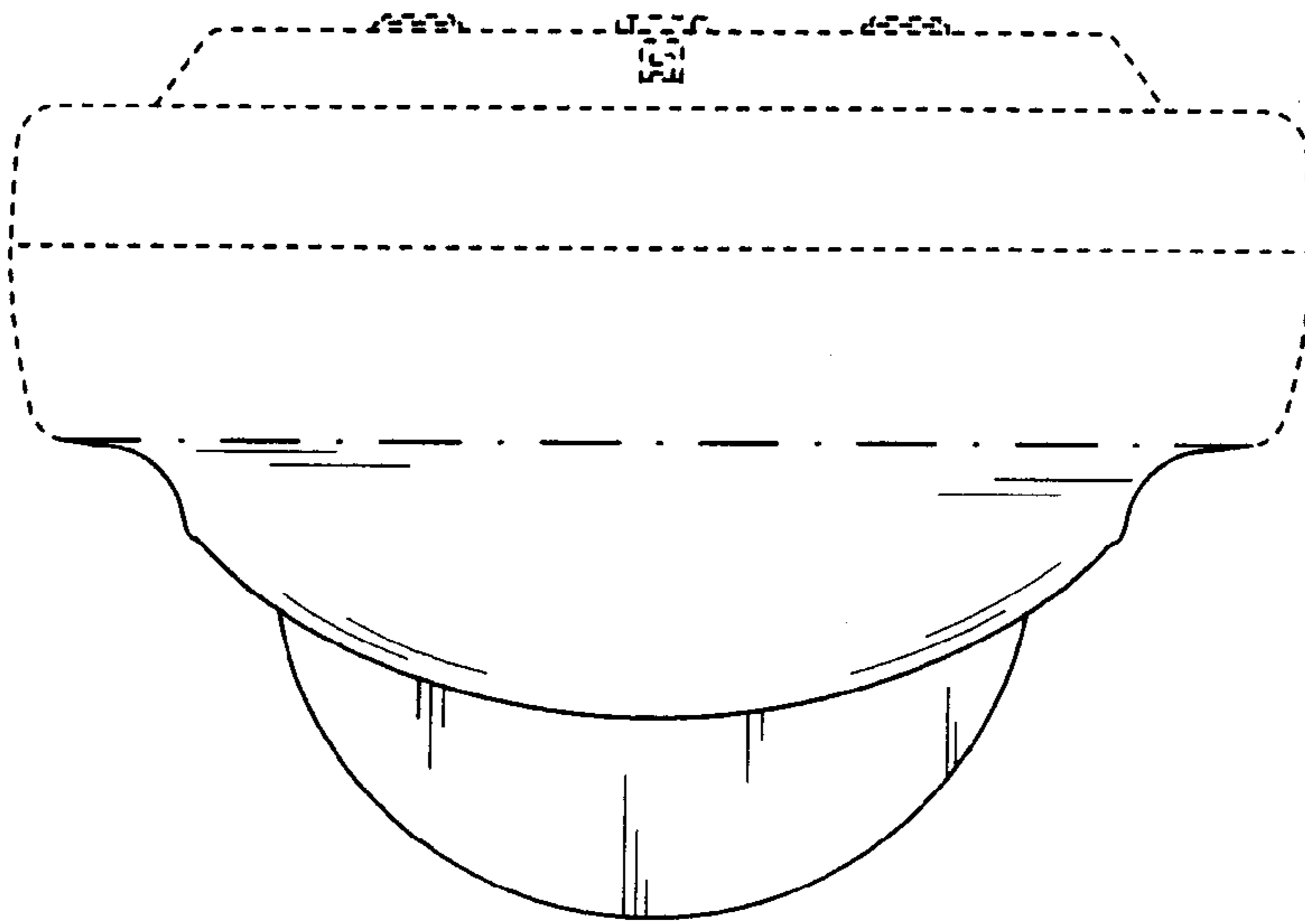


Fig.7

