



US00D582612S

(12) **United States Design Patent**
Rutherford

(10) **Patent No.:** **US D582,612 S**
(45) **Date of Patent:** **** Dec. 9, 2008**

(54) **BIRDCAGE ATTACHMENT**

(56) **References Cited**

(75) Inventor: **Ryan Rutherford**, Belleville, NJ (US)

U.S. PATENT DOCUMENTS

(73) Assignee: **JW Pet Company, Inc.**, Teterboro, NJ (US)

804,907 A	11/1905	Whitfield
1,192,441 A	7/1916	Lydecker
1,446,740 A	2/1923	Eummelen
1,450,494 A	4/1923	Eummelen
1,530,657 A	3/1925	Eummelen
1,632,380 A	6/1927	Marcus
1,718,432 A	6/1929	Qualmann
1,755,706 A	4/1930	St. George

(**) Term: **14 Years**

(21) Appl. No.: **29/291,517**

(22) Filed: **Aug. 31, 2007**

(Continued)

Related U.S. Application Data

Primary Examiner—Cathy Anne MacCormac

(60) Continuation-in-part of application No. 29/266,260, filed on Sep. 15, 2006, now Pat. No. Des. 554,299, which is a continuation-in-part of application No. 29/264,790, filed on Aug. 17, 2006, now Pat. No. Des. 554,298, and a continuation-in-part of application No. 11/245,556, filed on Oct. 7, 2005, and a continuation-in-part of application No. 11/182,380, filed on Jul. 15, 2005, now abandoned, which is a division of application No. 29/230,071, filed on May 16, 2005, now Pat. No. Des. 530,866, which is a division of application No. 29/180,987, filed on May 2, 2003, now Pat. No. Des. 508,589, which is a continuation-in-part of application No. 10/371,646, filed on Feb. 21, 2003, now Pat. No. 6,971,332, said application No. 11/182,380 is a continuation of application No. 10/371,646, filed on Feb. 21, 2003, now Pat. No. 6,971,332.

(74) *Attorney, Agent, or Firm*—Katten Muchin Rosenman LLP

(57) **CLAIM**

The ornamental design for a birdcage attachment, as shown and described.

DESCRIPTION

FIG. 1 is a front perspective of the new design;
FIG. 2 is a front view thereof;
FIG. 3 is a rear view thereof;
FIG. 4 is a left side view thereof;
FIG. 5 is a right side view thereof;
FIG. 6 is a top view thereof; and,
FIG. 7 is a bottom view thereof.

(51) **LOC (8) Cl.** **30-02**

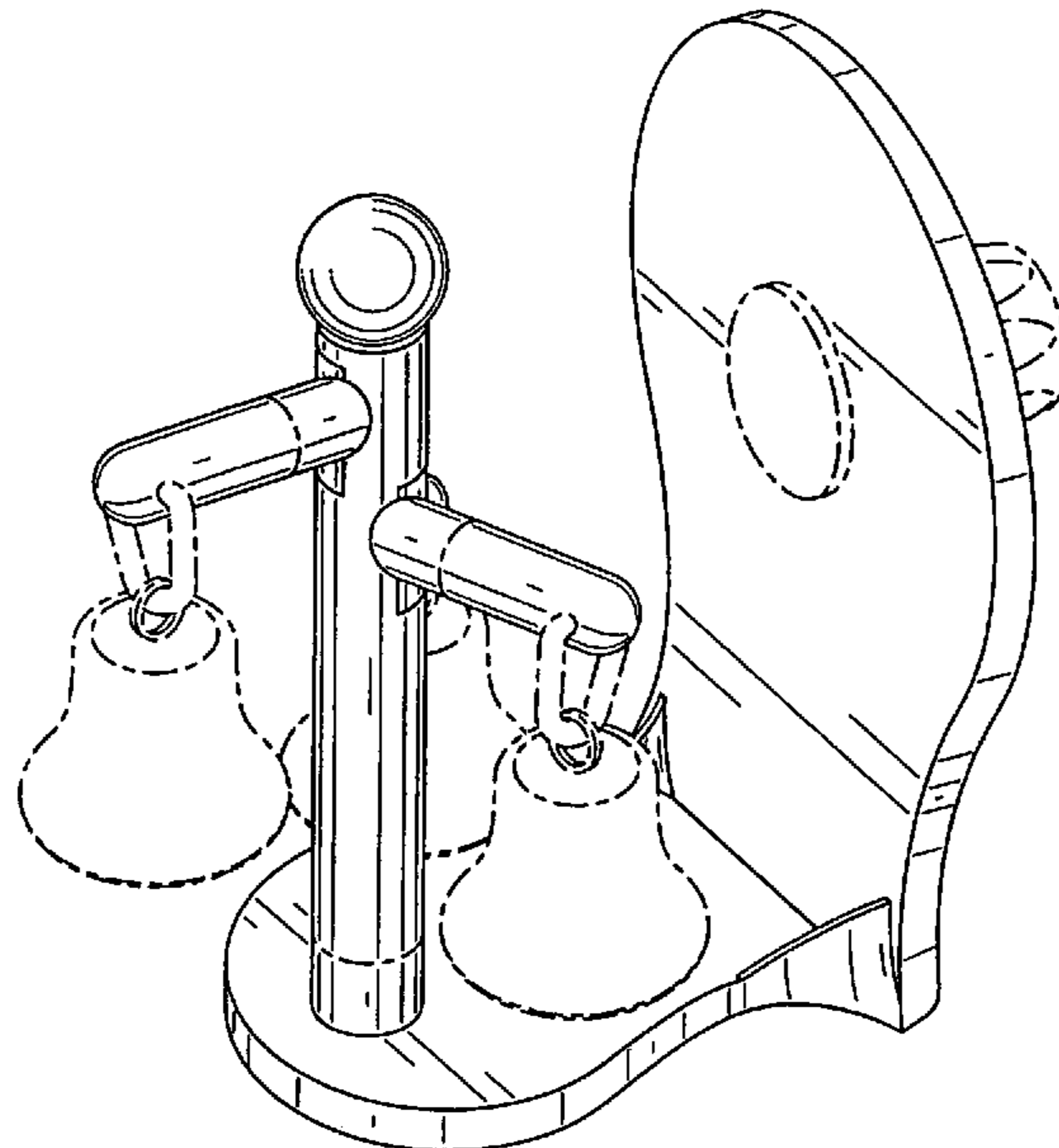
(52) **U.S. Cl.** **D30/119**

(58) **Field of Classification Search** D30/110–111,
D30/119, 124–128, 160; 119/57.8–57.9,
119/468, 531, 236–537, 706–708

The broken lines encircling the perches and post are portions of the article that form no part of the claimed design. The items shown in broken lines form no part of the claimed design.

See application file for complete search history.

1 Claim, 7 Drawing Sheets



US D582,612 S

Page 2

U.S. PATENT DOCUMENTS				
		4,655,723 A	4/1987	Marason, Jr. et al.
		4,732,112 A	3/1988	Fenner
		4,762,086 A	8/1988	Atchley
		5,018,480 A	5/1991	Goldman et al.
		5,022,345 A	6/1991	Bolivar et al.
		D337,393 S	7/1993	Weldy
		5,351,645 A	10/1994	Brennon
		D353,693 S	12/1994	Lawson
		5,397,033 A	3/1995	Blomquist
		D370,093 S	5/1996	DeLuca
		D371,226 S	6/1996	Lee
		D371,227 S	6/1996	Lee
		5,612,500 A	3/1997	Liang
		5,699,752 A	12/1997	Wilkins
		5,752,463 A *	5/1998	Jenkins 119/57.8
		5,893,338 A	4/1999	Campbell et al.
		5,901,667 A	5/1999	Kallas
		5,949,456 A	9/1999	Matsumoto et al.
		D423,738 S	4/2000	Carlson
		6,189,489 B1	2/2001	Pearce
		6,293,550 B1	9/2001	Zeitlin
		6,308,657 B1	10/2001	Schumacher et al.
		6,374,772 B1	4/2002	Brandt
		6,457,439 B1	10/2002	Engelking
		6,561,129 B1	5/2003	Cheng
		D478,195 S	8/2003	McGinty
		6,736,088 B1	5/2004	McGregor et al.
		D554,298 S *	10/2007	Woltmann et al. D30/119
		D554,299 S *	10/2007	Ragonetti et al. D30/119
		D559,475 S *	1/2008	Bonner D30/160
				* cited by examiner
D89,923 S	5/1933	Robison		
2,031,874 A	2/1936	Butler et al.		
2,066,264 A	12/1936	Fisher		
2,296,000 A	9/1942	Ojalvo		
2,483,003 A	9/1949	Fischer		
D166,334 S	4/1952	Moon		
D167,326 S	7/1952	Verosub et al.		
2,699,752 A	1/1955	Reyes		
D174,580 S	4/1955	Kiehl		
2,707,937 A	5/1955	Herman		
D175,292 S	8/1955	Austgen		
2,731,949 A	1/1956	Arnould		
2,800,105 A	7/1957	Ilg		
2,808,807 A	10/1957	Winton et al.		
2,828,963 A	4/1958	Steiner		
D183,655 S *	10/1958	Hansen D30/119		
2,943,600 A	7/1960	Rosoff		
3,017,589 A	1/1962	Chass		
3,181,504 A	5/1965	Stortz		
3,185,133 A	5/1965	Bird		
D223,035 S	2/1972	Brecher		
3,678,901 A	7/1972	Dulle		
3,707,949 A	1/1973	Lippi		
3,815,282 A	6/1974	Frost		
D233,770 S *	11/1974	Clark et al. D30/160		
3,911,866 A	10/1975	Dodd		
4,188,745 A	2/1980	Harvey et al.		
4,450,789 A	5/1984	Nilsen et al.		
4,542,714 A	9/1985	Ingraham et al.		
4,574,738 A	3/1986	Tominaga		

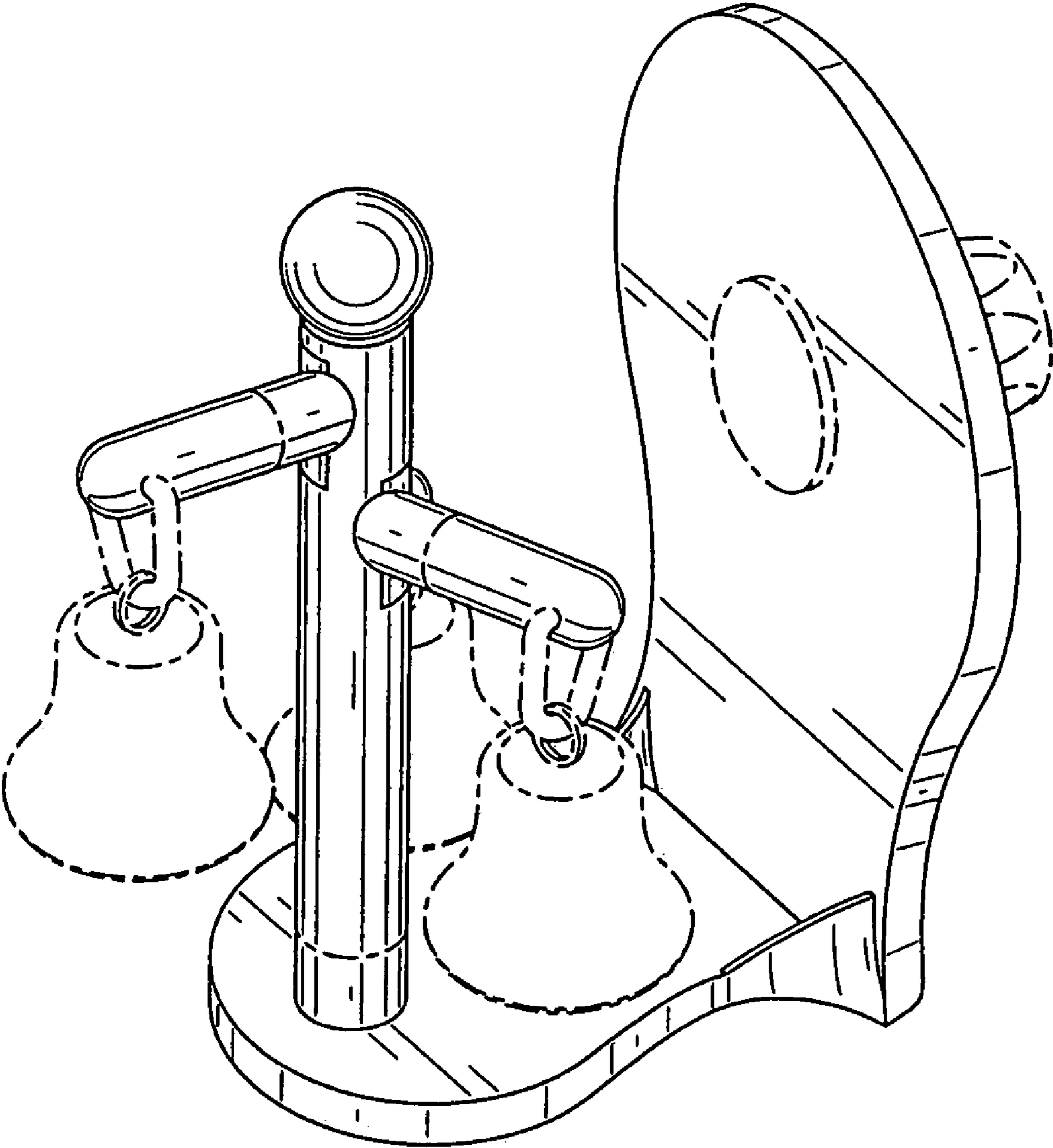


FIG. 1

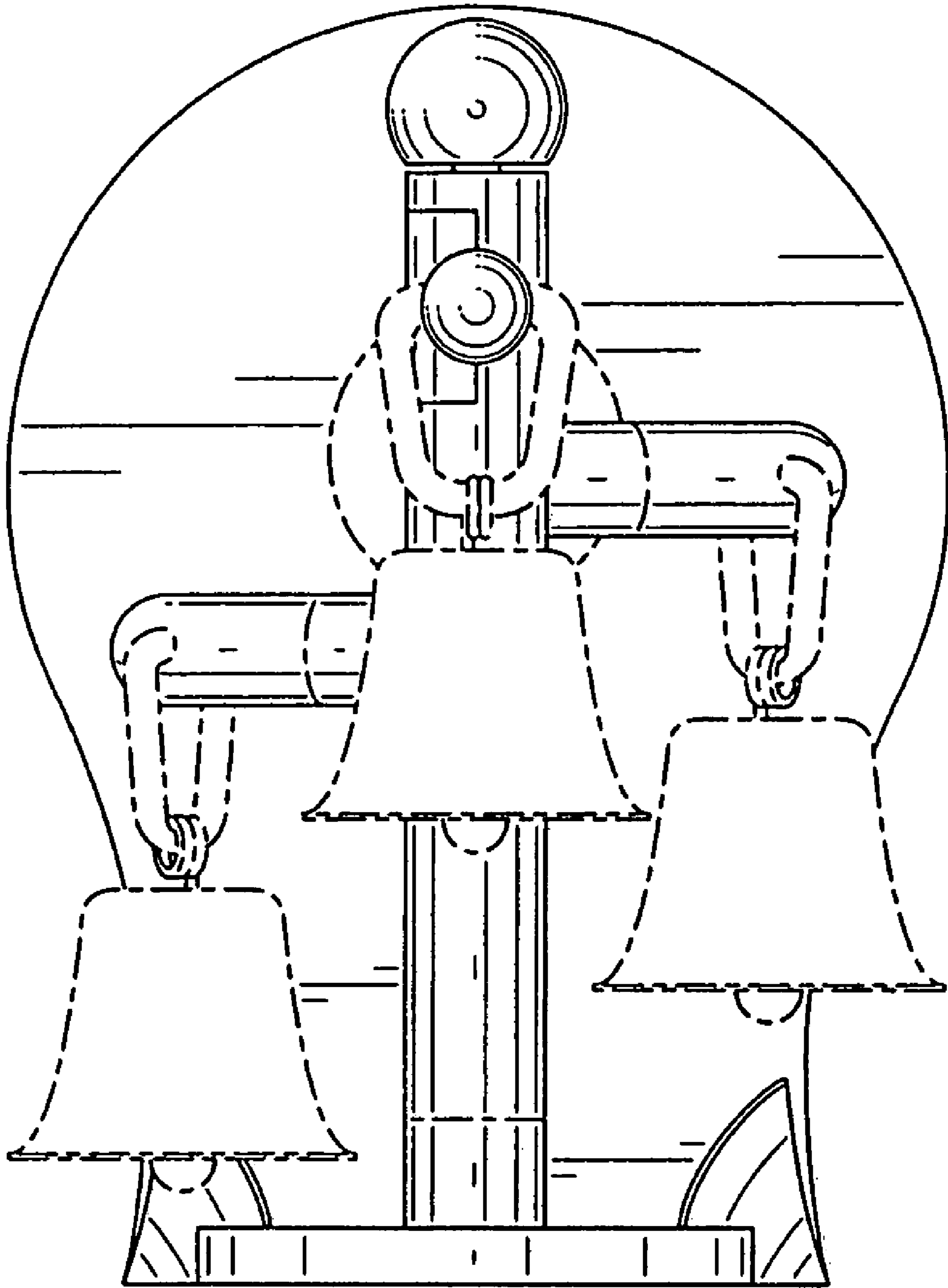


FIG. 2

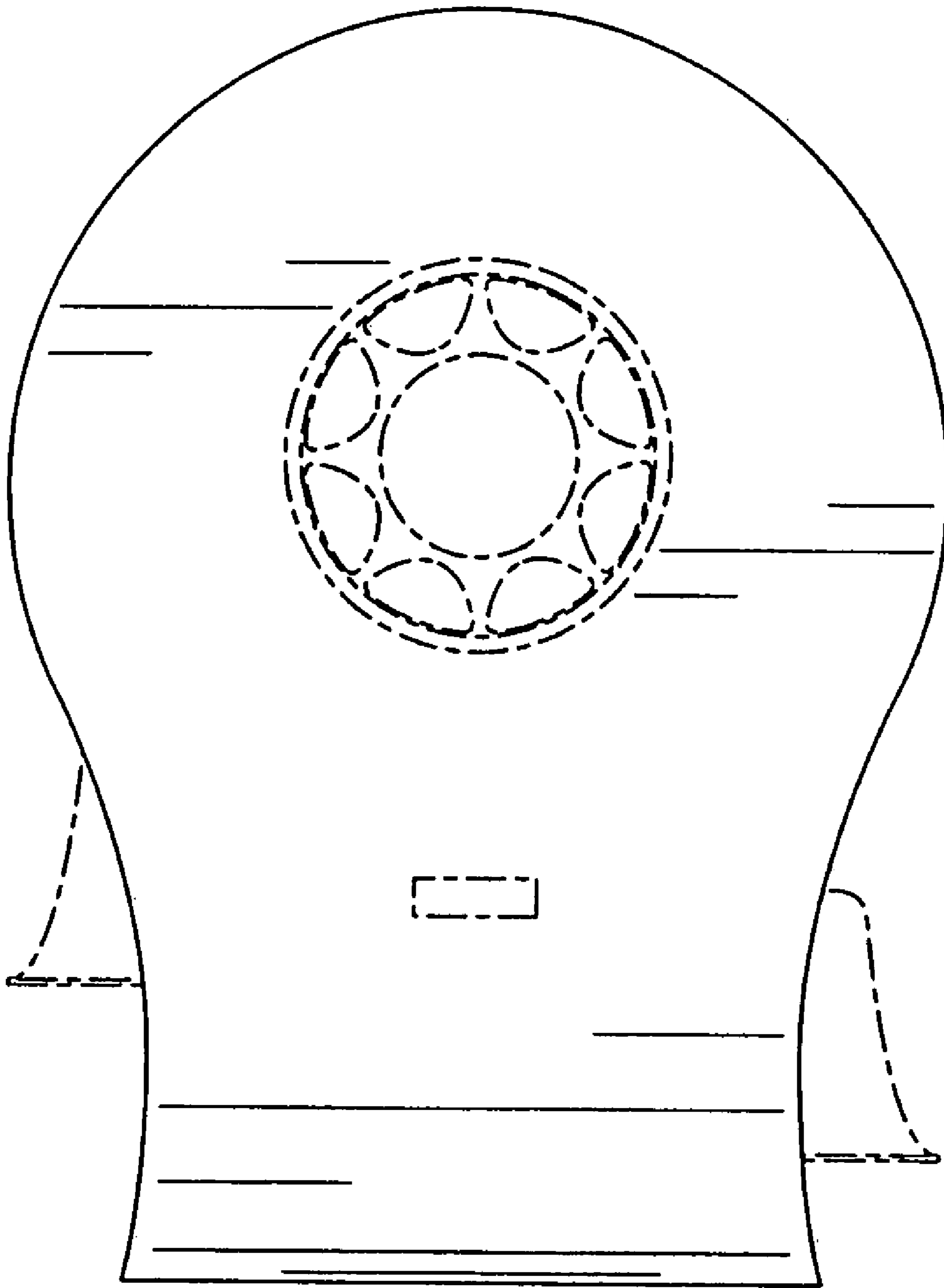


FIG. 3

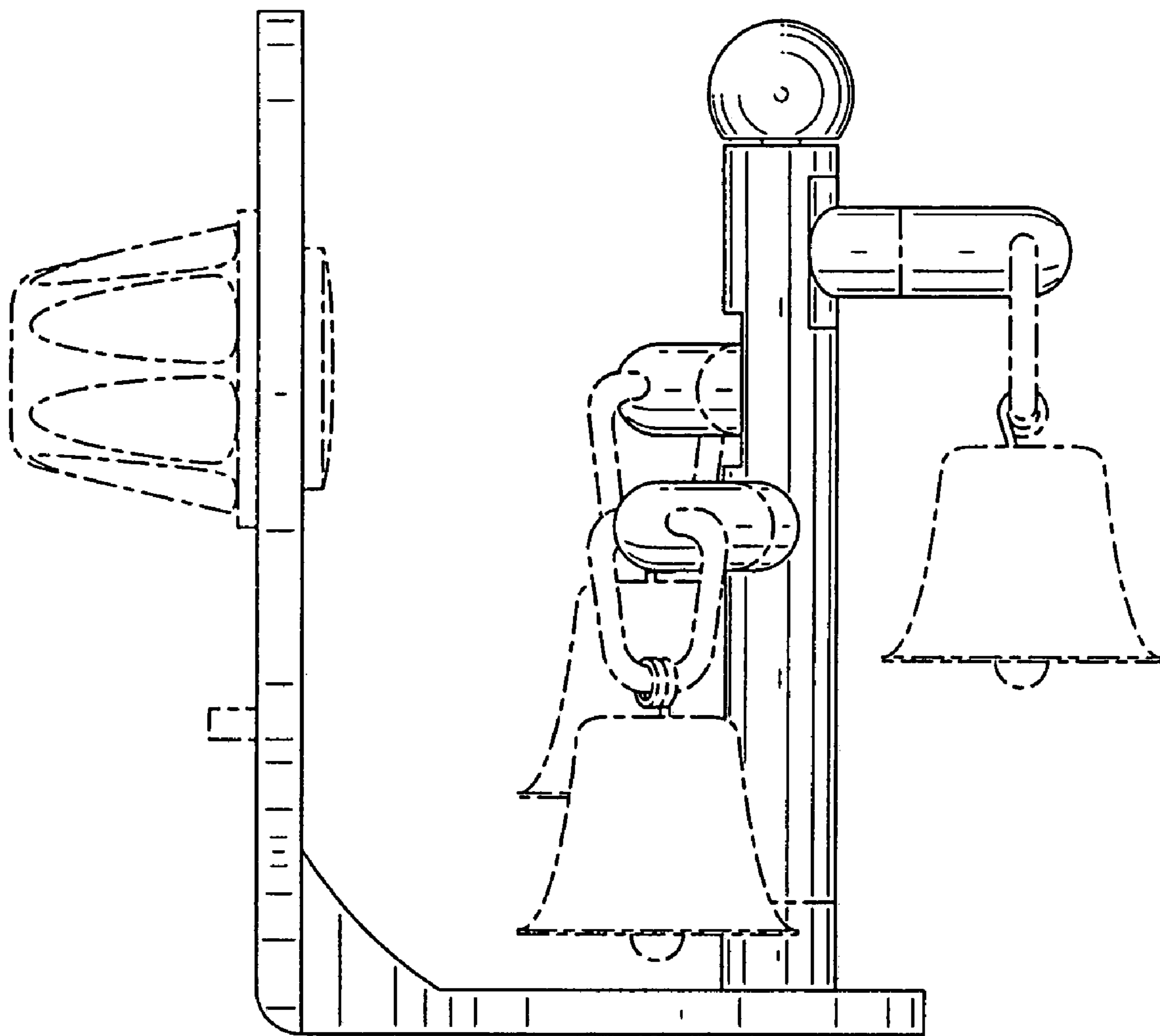


FIG. 4

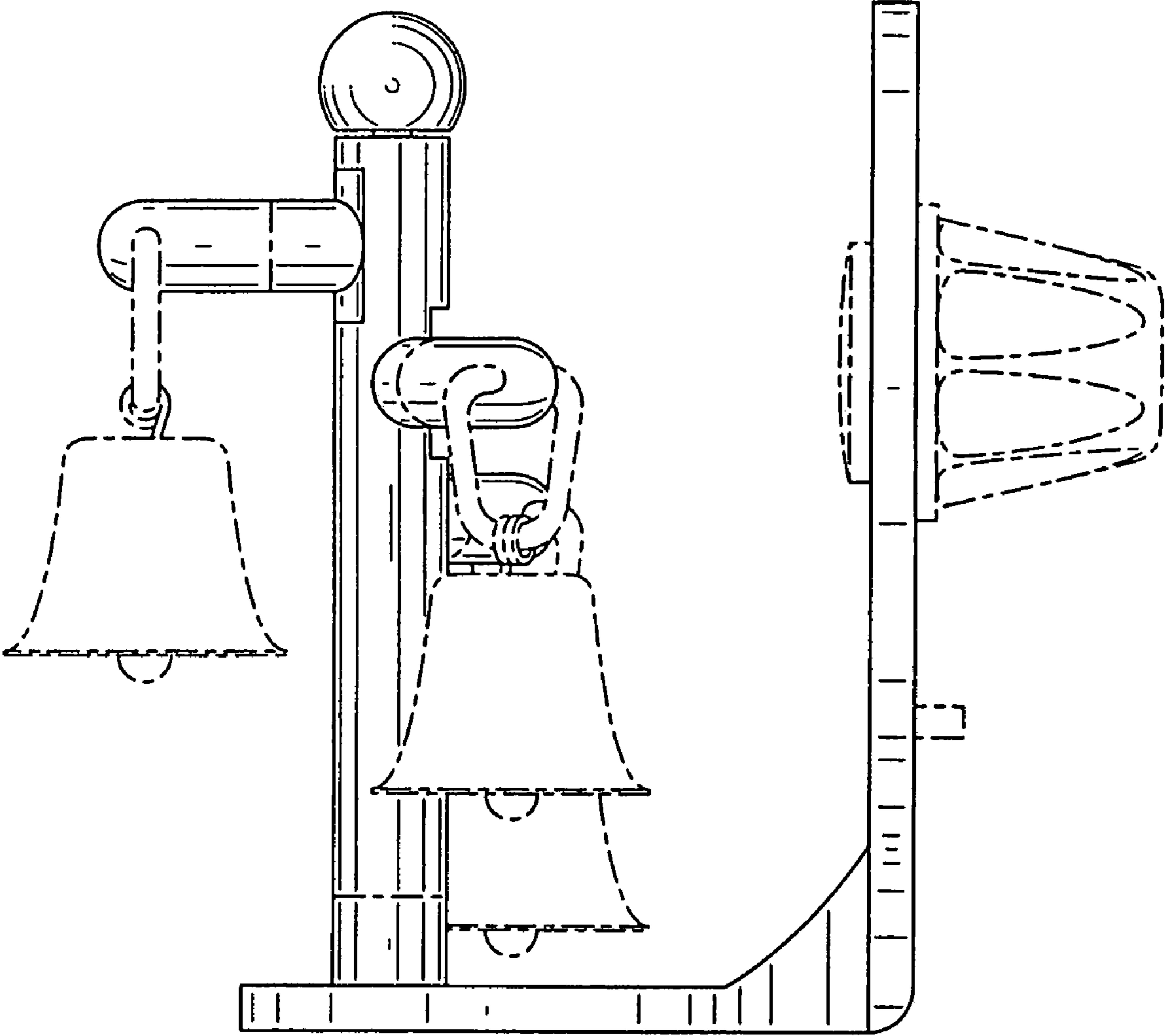


FIG. 5

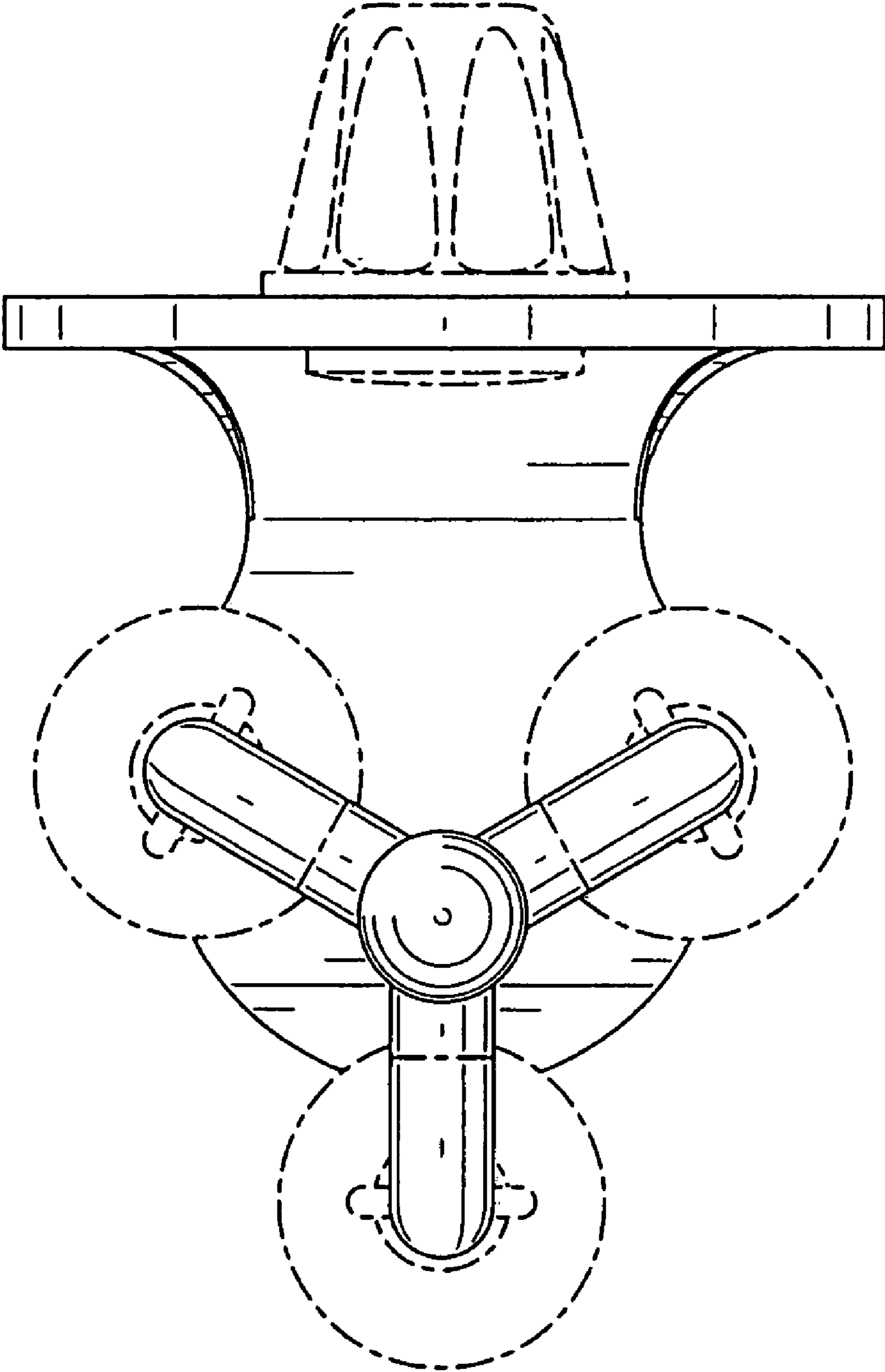


FIG. 6

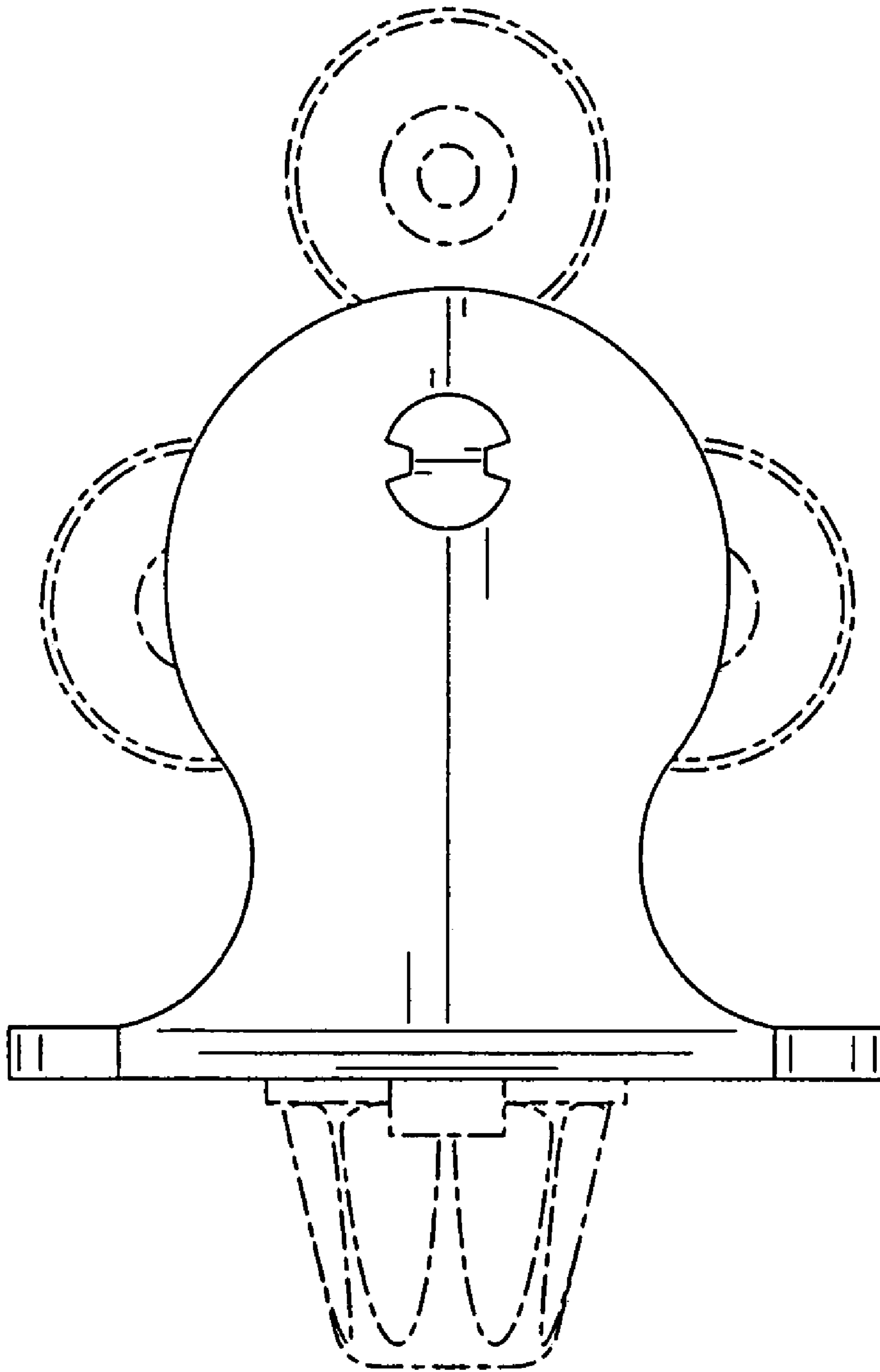


FIG. 7