



US00D582605S

(12) **United States Design Patent**  
**Eddinger et al.**

(10) **Patent No.:** **US D582,605 S**  
(45) **Date of Patent:** **\*\* Dec. 9, 2008**

(54) **HAIR CUTTING DEVICE**

(75) Inventors: **Michael Eddinger**, Rock Falls, IL (US);  
**Robert N. Buck, Jr.**, Rock Falls, IL (US); **Brian W. Smith**, Sterling, IL (US); **Marc Geil**, Sterling, IL (US)

(73) Assignee: **Wahl Clipper Corporation**, Sterling, IL (US)

(\*\*) Term: **14 Years**

(21) Appl. No.: **29/297,564**

(22) Filed: **Nov. 14, 2007**

(51) **LOC (8) Cl.** ..... **28-03**

(52) **U.S. Cl.** ..... **D28/53**

(58) **Field of Classification Search** ..... D28/44-54;  
30/32, 34.1, 34.2, 34.05, 43-43.92, 195,  
30/201, 233, 233.5, 210

See application file for complete search history.

(56) **References Cited**

U.S. PATENT DOCUMENTS

D397,513 S \* 8/1998 Tu et al. .... D28/51  
D436,692 S 1/2001 Larsen  
D499,212 S 11/2004 Nielsen et al.  
D500,391 S \* 12/2004 Nielsen et al. .... D28/54

D501,278 S \* 1/2005 Nielsen et al. .... D28/54  
D513,344 S 12/2005 Choi  
D523,991 S 6/2006 Langley et al.

\* cited by examiner

*Primary Examiner*—Jennifer Rivard

(74) *Attorney, Agent, or Firm*—Greer, Burns & Crain, Ltd.

(57) **CLAIM**

The ornamental design for a hair cutting device, as shown and described.

**DESCRIPTION**

FIG. 1 is a top perspective view of the present hair cutting device;

FIG. 2 is a bottom view of same;

FIG. 3 is a left side view of the hair cutting device of FIG. 1;

FIG. 4 is a top view of the hair cutting device of FIG. 1;

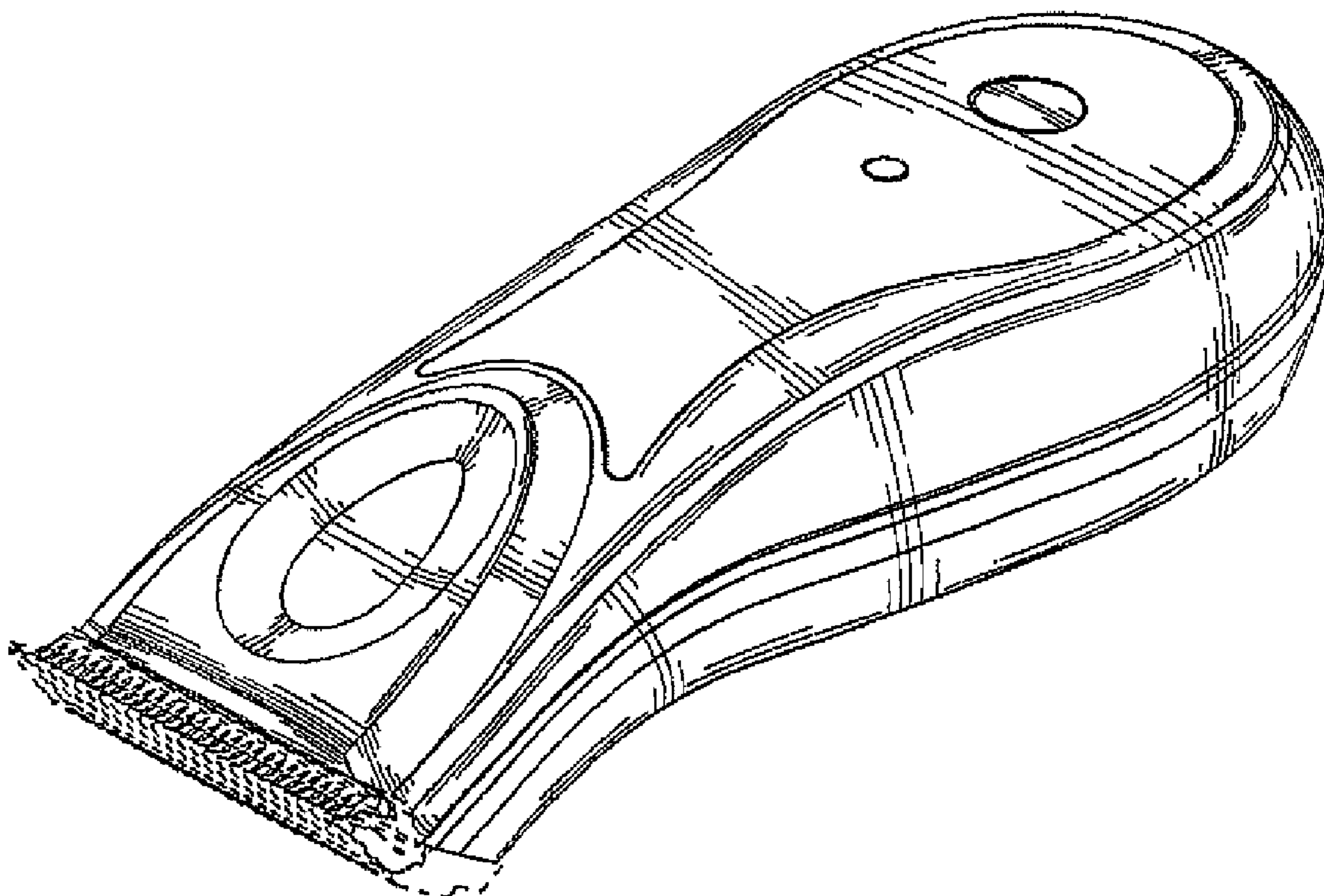
FIG. 5 is a right side view of same;

FIG. 6 is a front view of the same; and,

FIG. 7 is a rear view of the present hair cutting device.

The structure depicted in broken lines is provided for environment purposes only and is not considered part of the claimed invention.

**1 Claim, 4 Drawing Sheets**



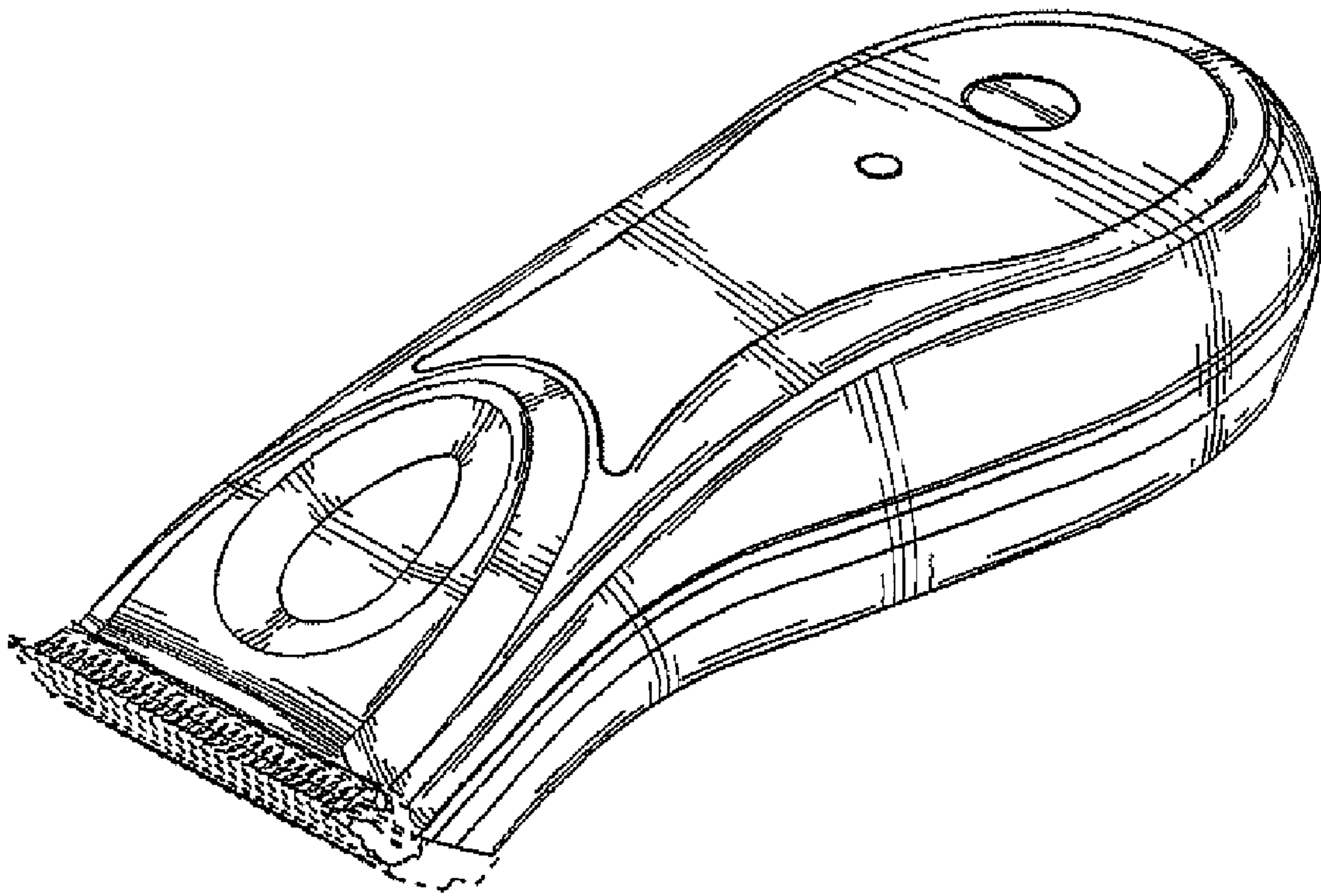


FIG. 1

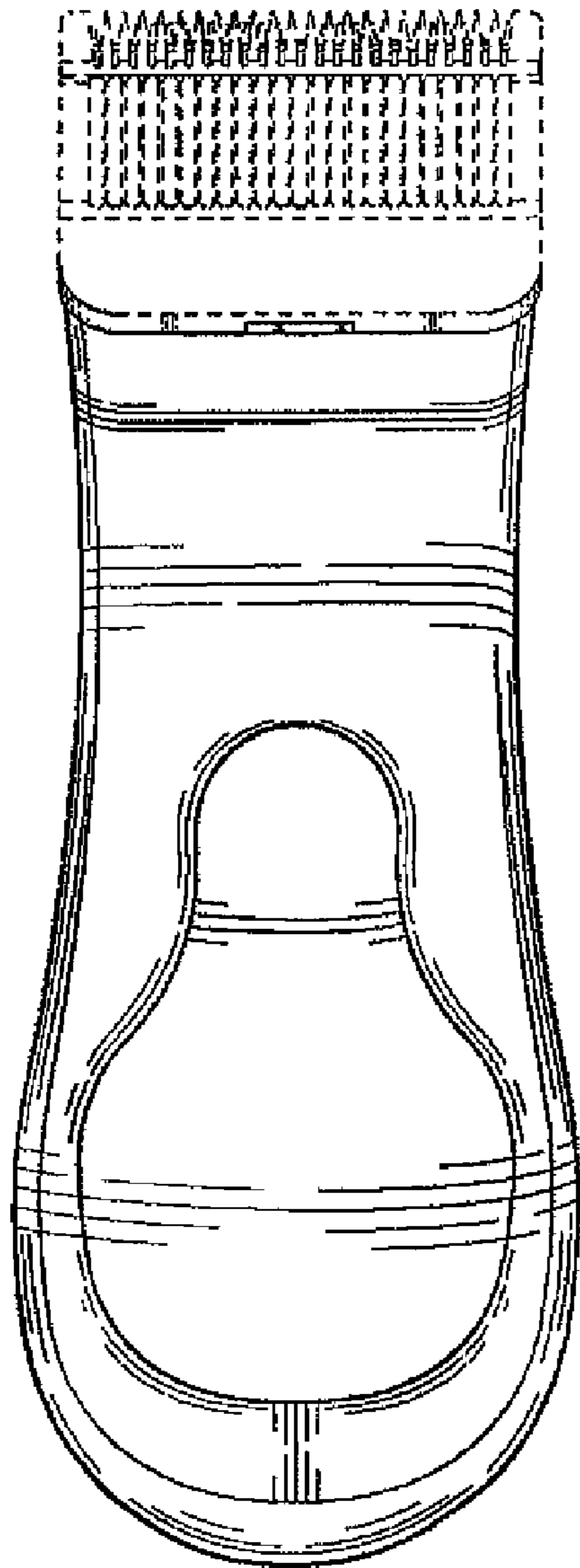


FIG. 2

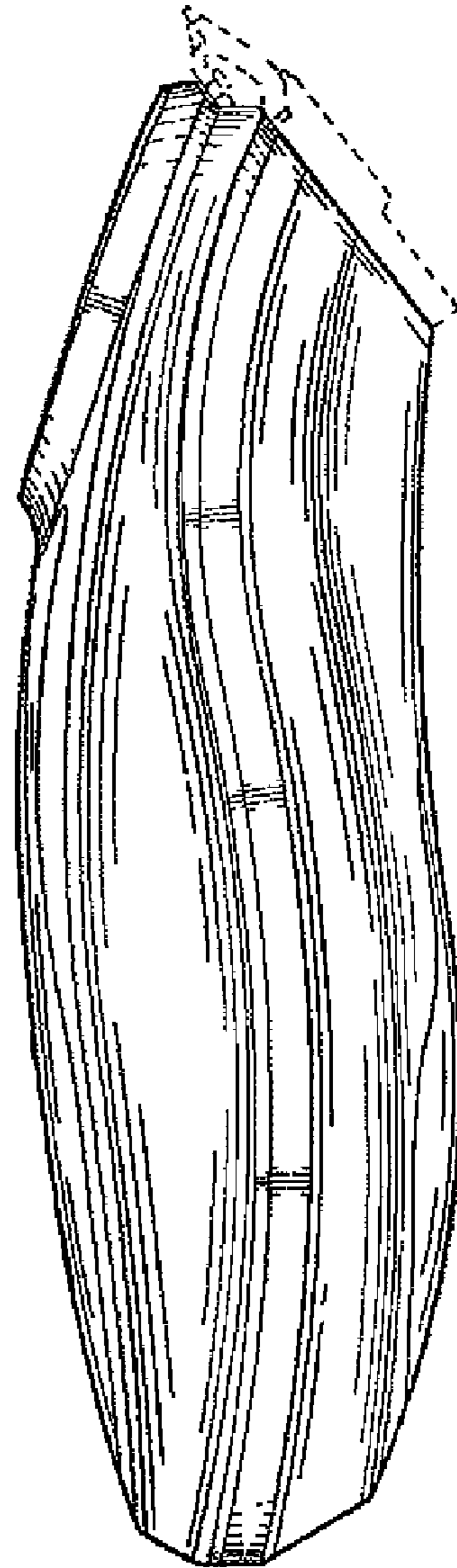


FIG. 3

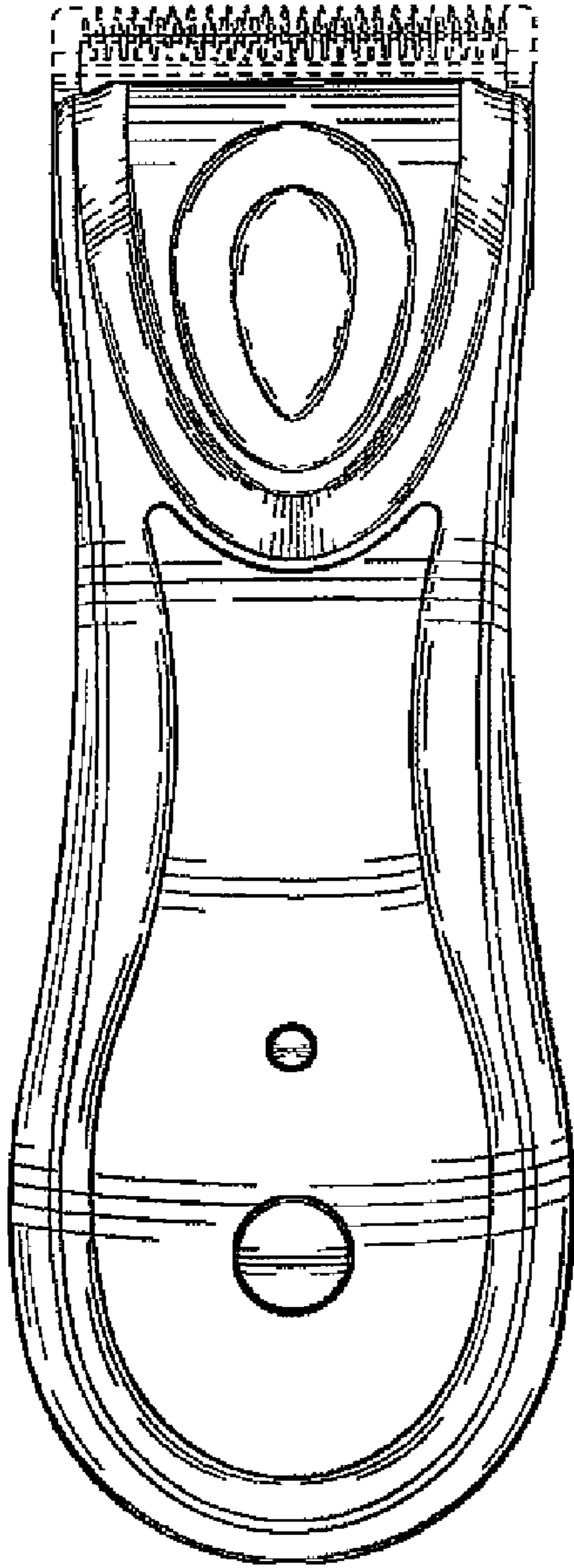


FIG. 4

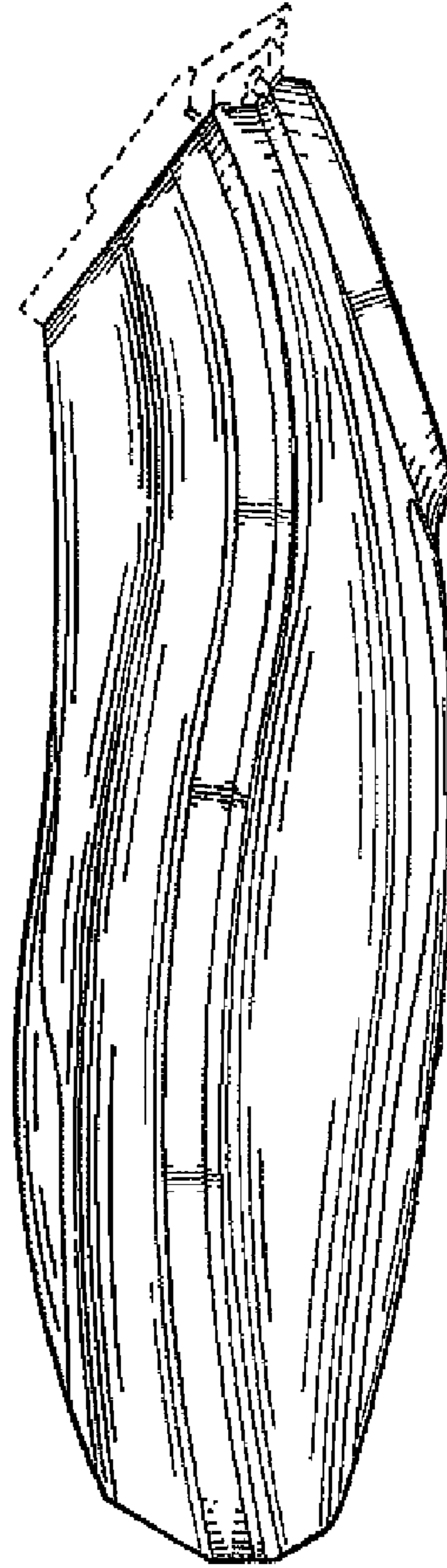


FIG. 5

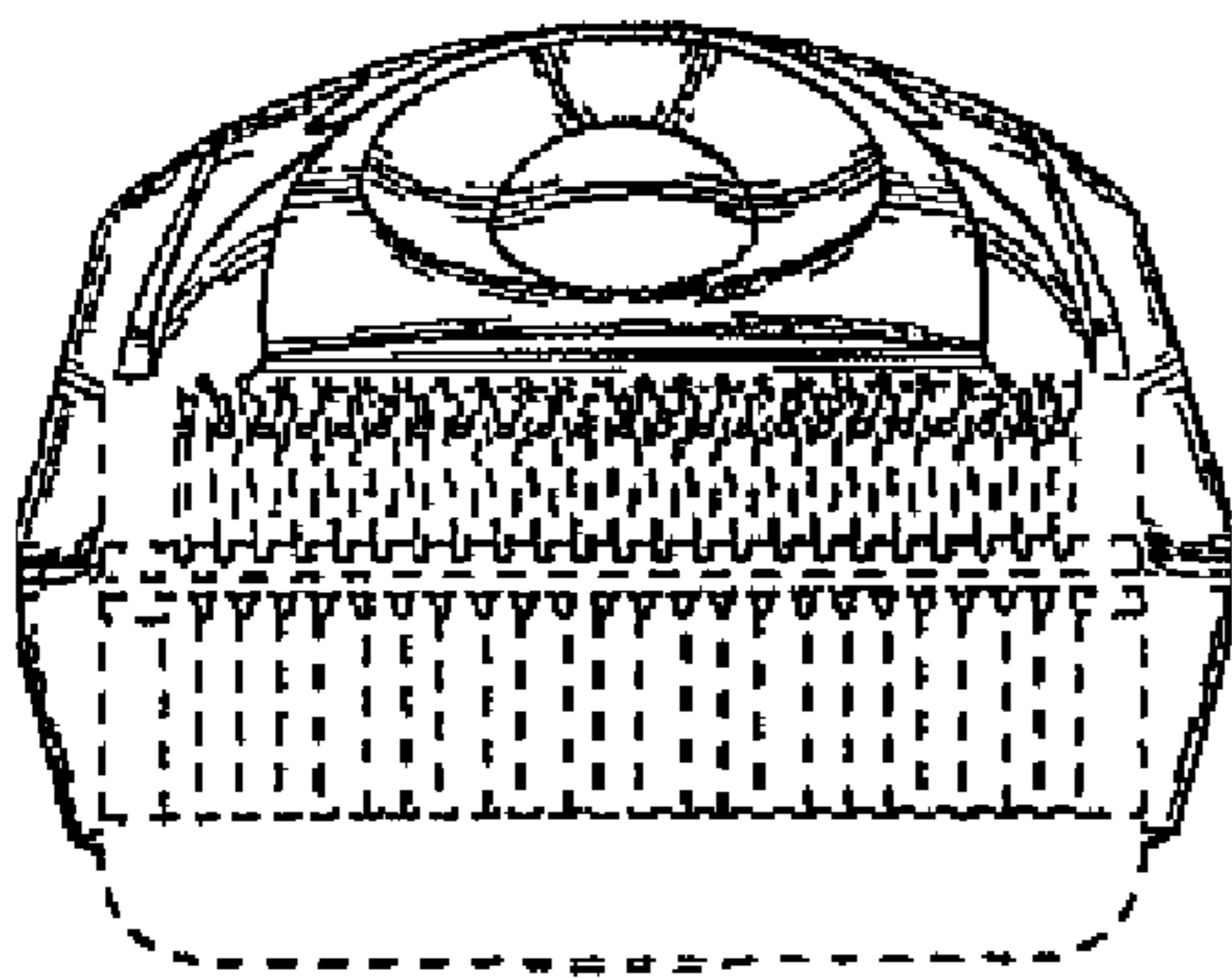


FIG. 6

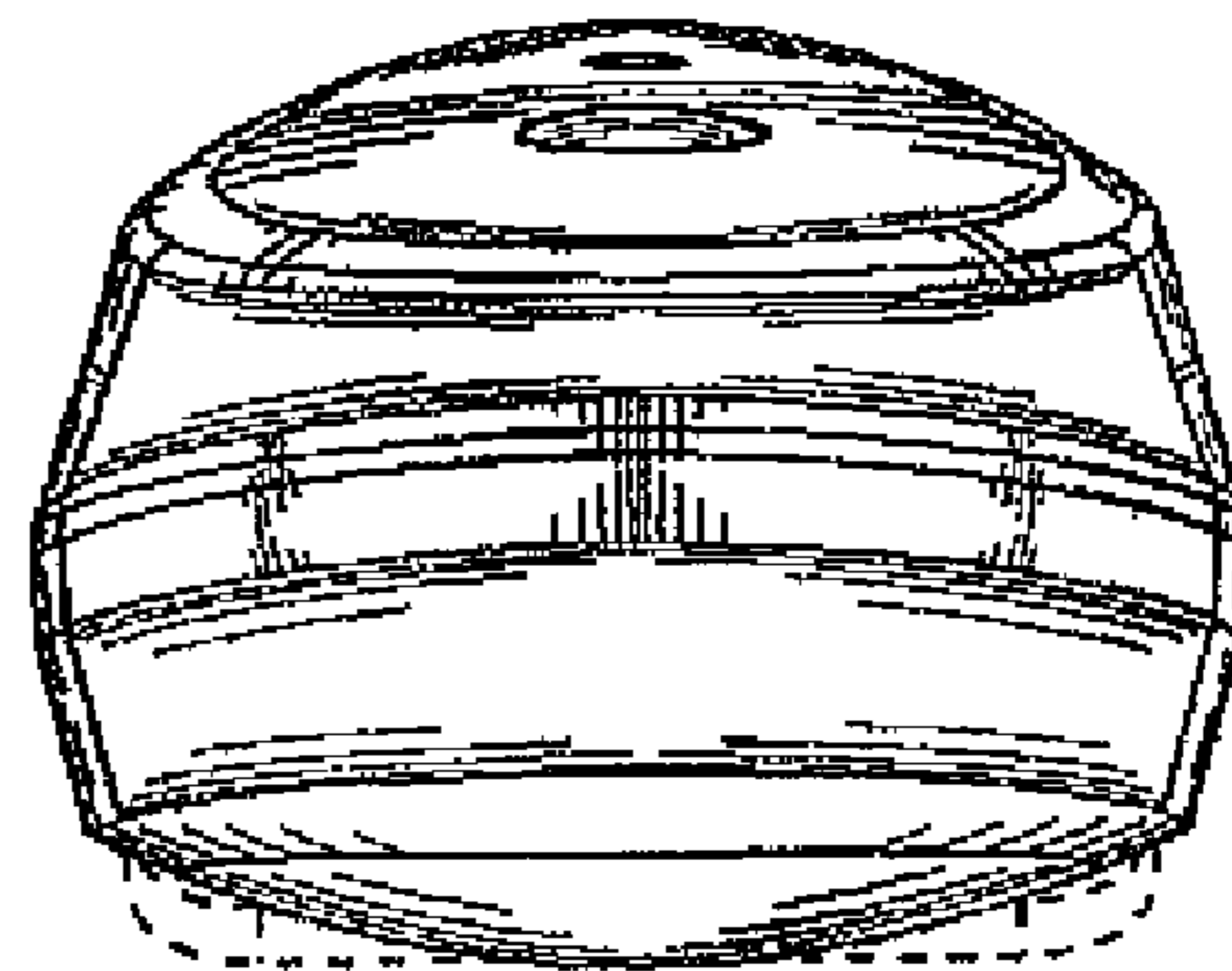


FIG. 7