



US00D582602S

(12) **United States Design Patent**  
**Maxik et al.**

(10) **Patent No.:** **US D582,602 S**  
(45) **Date of Patent:** **\*\* Dec. 9, 2008**

(54) **LIGHT FIXTURE**

(75) Inventors: **Fredric S. Maxik**, Indialantic, FL (US);  
**Addy S. Widjaja**, Palm Bay, FL (US)

(73) Assignee: **Lighting Science Group Corporation**,  
Satellite Beach, FL (US)

(\*\*) Term: **14 Years**

(21) Appl. No.: **29/307,121**

(22) Filed: **Mar. 31, 2008**

(51) **LOC (8) Cl.** ..... **26-99**

(52) **U.S. Cl.** ..... **D26/118**

(58) **Field of Classification Search** ..... D26/3,  
D26/37, 67, 72, 74-79, 81-92, 118-122;  
362/125, 147, 217-225, 132, 243, 260-263,  
362/267, 283, 311, 337, 364, 806; 326/311;  
D25/119, 123; 312/140

See application file for complete search history.

(56) **References Cited**

**U.S. PATENT DOCUMENTS**

2,356,654	A *	8/1944	Cullman	.....	362/223
2,569,934	A *	10/1951	Kurtzon	.....	362/125
3,125,301	A *	3/1964	Stotter	.....	362/217
4,814,954	A *	3/1989	Spitz	.....	362/217
4,845,601	A *	7/1989	Podbury et al.	.....	362/125
D306,771	S *	3/1990	Gecchelin	.....	D26/75
D311,589	S *	10/1990	Benchimol et al.	.....	D26/24
D314,757	S *	2/1991	Gecchelin	.....	D13/155
D361,010	S *	8/1995	Hebsgaard	.....	D6/580

D368,851	S *	4/1996	Cole et al.	.....	D8/376
D372,453	S *	8/1996	Gold	.....	D12/400
D440,101	S *	4/2001	Anderson	.....	D6/580
6,231,209	B1 *	5/2001	Leibig et al.	.....	362/219
D444,262	S *	6/2001	Eberlein et al.	.....	D26/118
6,257,735	B1 *	7/2001	Baar	.....	362/217
D486,340	S *	2/2004	Sudano	.....	D6/577
D544,136	S *	6/2007	Hargreaves	.....	D26/118
D544,138	S *	6/2007	Hargreaves	.....	D26/118
D544,994	S *	6/2007	Hargreaves	.....	D26/118
D545,996	S *	7/2007	Hargreaves	.....	D26/118
D567,002	S *	4/2008	Allsopp	.....	D6/580

\* cited by examiner

*Primary Examiner*—Robert M. Spear

*Assistant Examiner*—Susan E Krakower

(74) *Attorney, Agent, or Firm*—Kenyon & Kenyon LLP

(57) **CLAIM**

The ornamental design for a light fixture, as shown and described.

**DESCRIPTION**

FIG. 1 is a perspective view of a light fixture showing our new design;

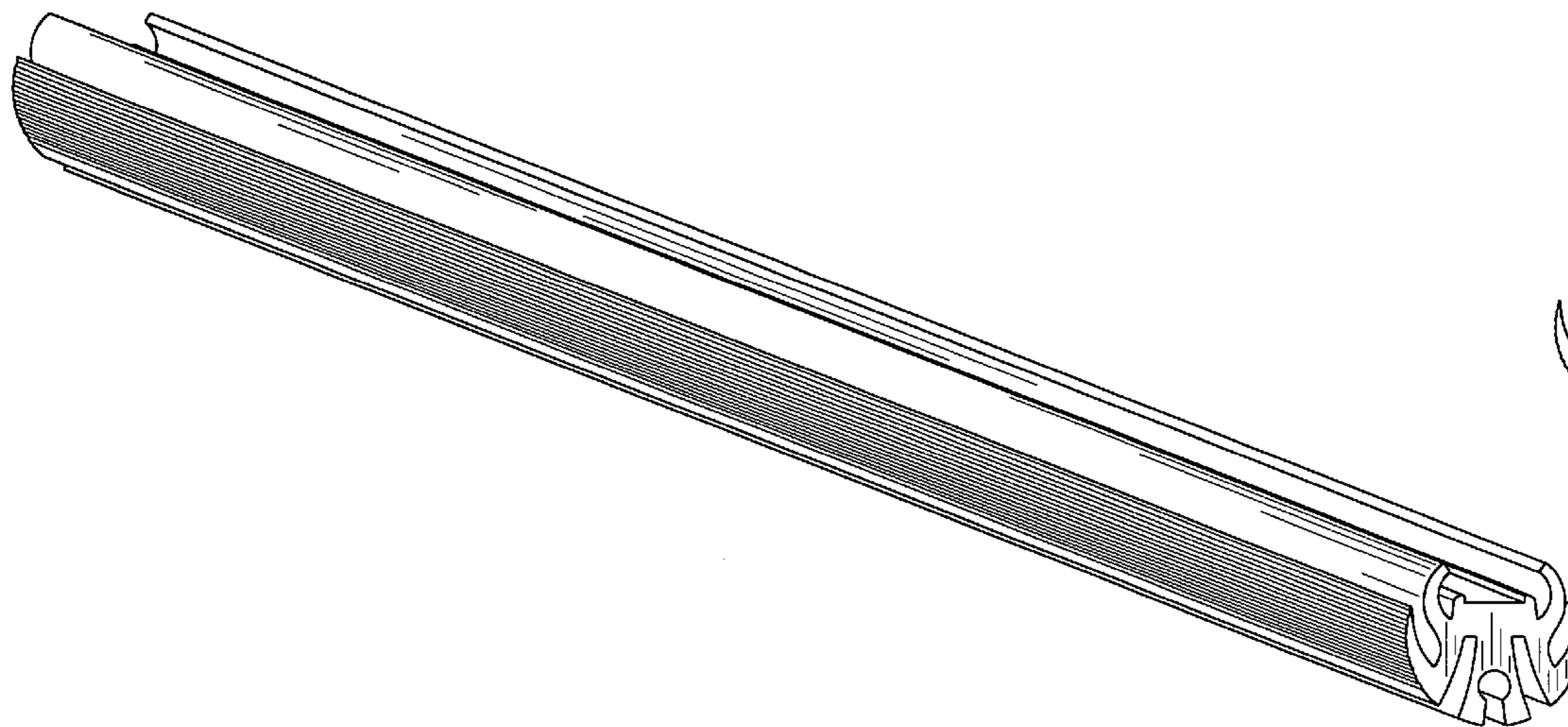
FIG. 2 is a front view thereof, the back view being a mirror image thereof;

FIG. 3 is a side view thereof;

FIG. 4 is a top view thereof; and,

FIG. 5 is a bottom view thereof.

**1 Claim, 3 Drawing Sheets**



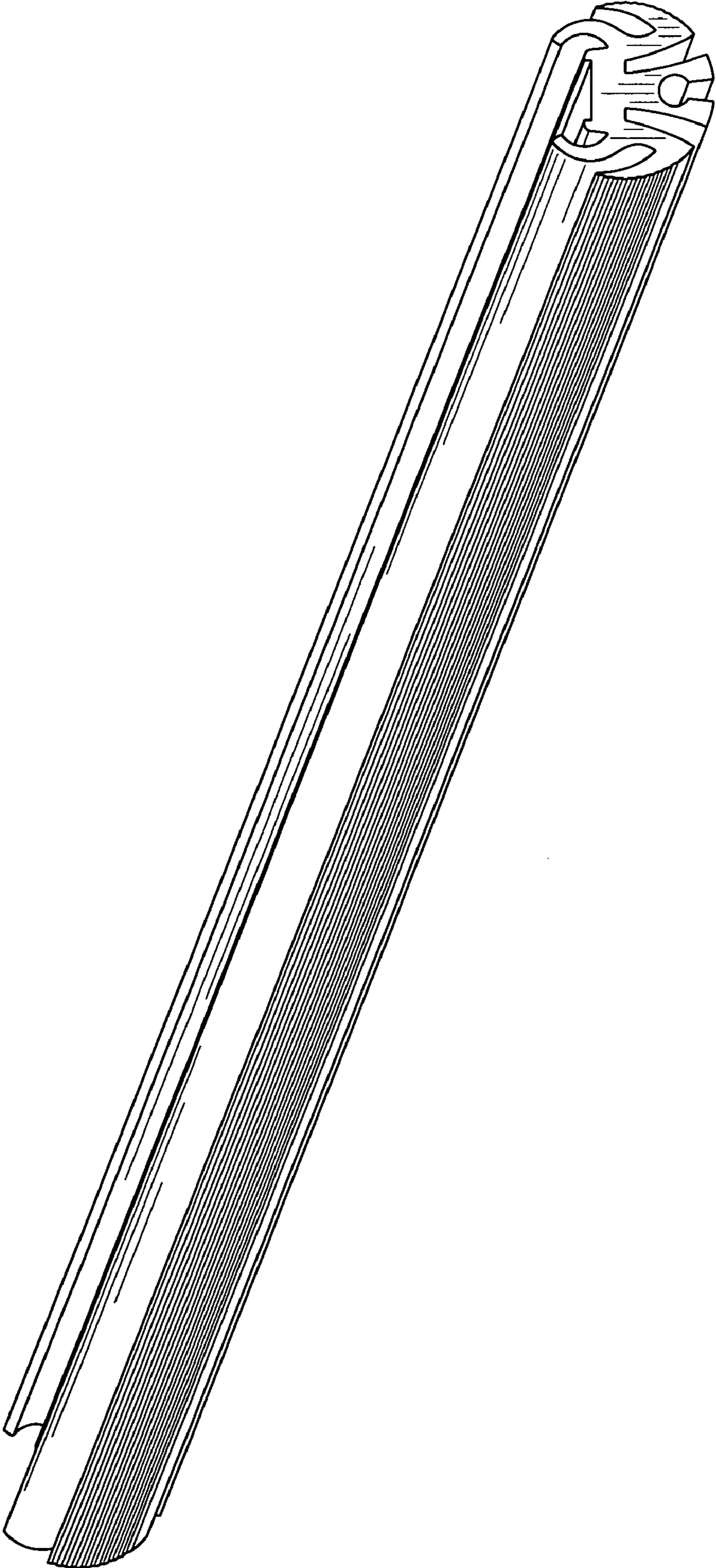


FIG. 1

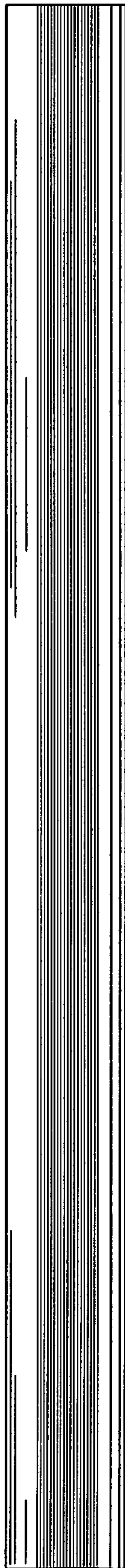


FIG. 2

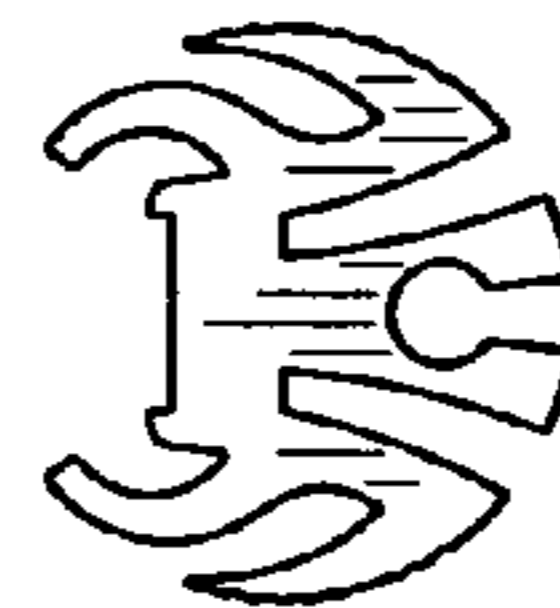


FIG. 3

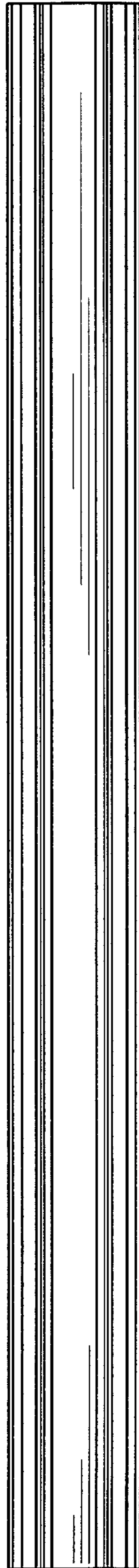


FIG. 4

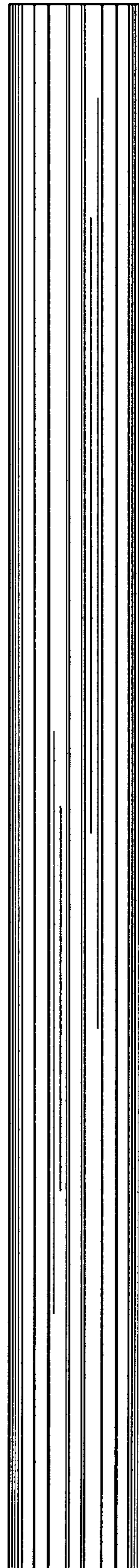


FIG. 5