



US00D582601S

(12) **United States Design Patent**
Levine

(10) **Patent No.:** **US D582,601 S**
(45) **Date of Patent:** **** Dec. 9, 2008**

(54) **LIGHTING DEVICE**

(76) Inventor: **Jonathan E. Levine**, 419 Park Ave. S.,
Suite 505, New York, NY (US) 10016

(**) Term: **14 Years**

(21) Appl. No.: **29/281,044**

(22) Filed: **Jun. 13, 2007**

(51) **LOC (8) Cl.** **26-99**

(52) **U.S. Cl.** **D26/113**

(58) **Field of Classification Search** D26/123,
D26/28, 122, 120, 118, 147, 142, 113, 24,
D26/25, 72, 74, 75, 76, 77, 85, 86, 119, 121,
D26/124, 128, 129, 132, 133, 134, 135, 136,
D26/138, 139, 152, 155; 362/612, 623, 566,
362/565, 507, 517, 147, 219, 247, 252, 297,
362/346, 364, 433, 441, 455, 457, 800, 807,
362/410

See application file for complete search history.

(56) **References Cited**

U.S. PATENT DOCUMENTS

D104,233 S *	4/1937	Arenberg	D26/120
2,790,894 A *	4/1957	Zingone	362/429
D222,500 S	10/1971	Gugelot		
D240,320 S	6/1976	Anderson		
D264,254 S *	5/1982	Heritage	D26/74
D275,062 S *	8/1984	Sorko-Ram et al.	D6/300
4,515,570 A	5/1985	Beltran		
D293,940 S *	1/1988	Lasker	D26/65
4,751,627 A *	6/1988	Usher	362/421
D299,549 S *	1/1989	Macaluso	D26/29
D312,136 S *	11/1990	Miletich et al.	D26/24
D320,863 S *	10/1991	Macaluso	D26/29
D346,459 S	4/1994	King		
D371,857 S	7/1996	Gismondi		
5,769,529 A	6/1998	Weinstock et al.		
5,871,274 A	2/1999	Lee et al.		
D412,040 S	7/1999	Hudak et al.		
5,934,787 A	8/1999	Sharma		
6,146,001 A	11/2000	Cwiakala		
D440,673 S *	4/2001	Handsaker	D26/24

D443,713 S *	6/2001	Benensohn	D26/72
D446,321 S	8/2001	Lin		
6,390,652 B1	5/2002	Echito		
6,566,824 B2 *	5/2003	Panagotacos et al.	315/291
6,588,920 B2	7/2003	Agro		
6,641,283 B1	11/2003	Bohler		

(Continued)

OTHER PUBLICATIONS

U.S. Appl. No. 11/954,225, filed Dec. 12, 2007, Levine.

U.S. Appl. No. 29/298,708, filed Dec. 12, 2007, Levine.

Primary Examiner—Freda S. Nunn

Assistant Examiner—Kevin K Rudzinski

(74) *Attorney, Agent, or Firm*—Theodore W. Baker

(57) **CLAIM**

I claim the ornamental design for a lighting device, as shown and described.

DESCRIPTION

FIG. 1 is a perspective view of a lighting device, as viewed from the top and one side, of the present invention.

FIG. 2 is an end view of the lighting device of FIG. 1,

FIG. 3 is a front elevation view of the lighting device FIG. 1.

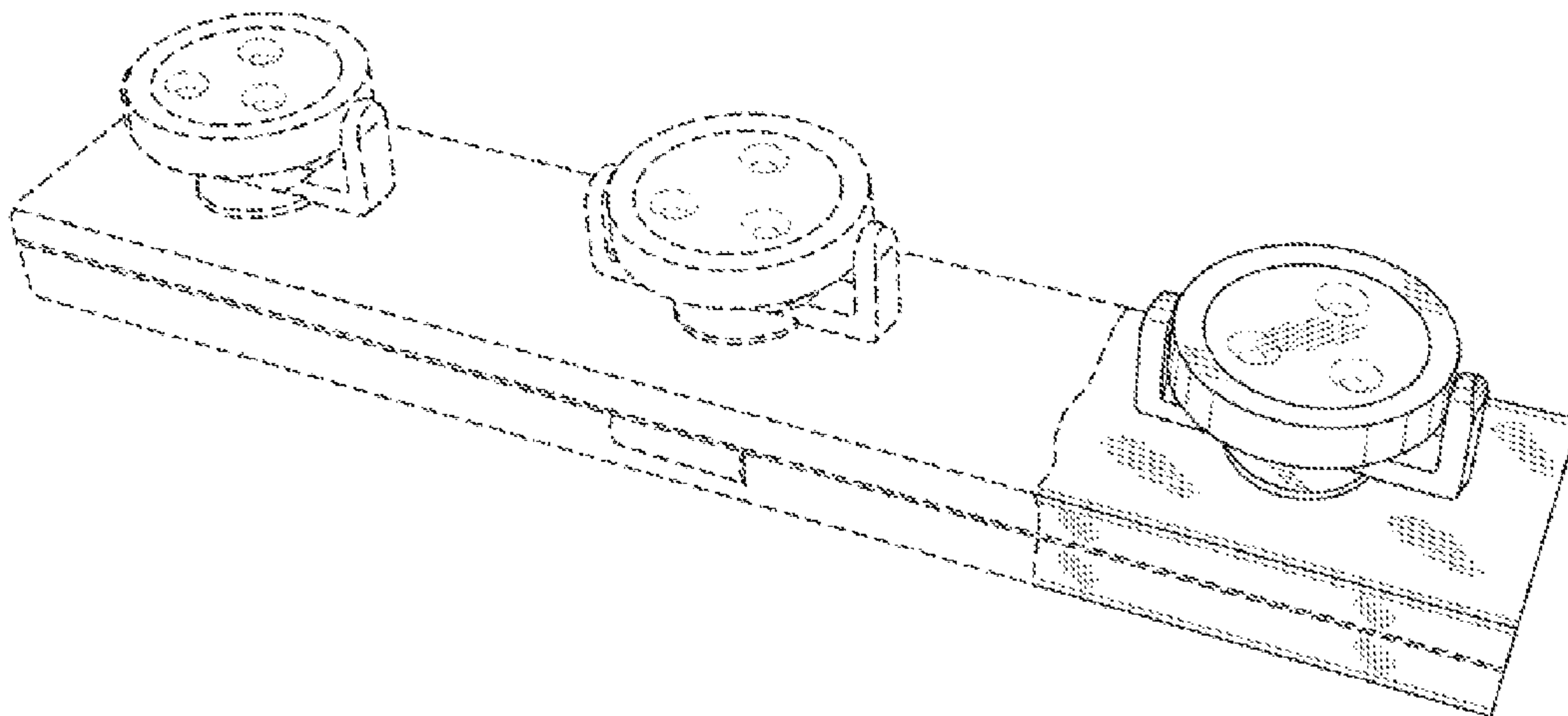
FIG. 4 is a back elevation view of the lighting device FIG. 1.

FIG. 5 is a top plan view of the lighting device FIG. 1; and,

FIG. 6 is a bottom plan view of the lighting device of FIG. 1.

The details shown in broken lines are for illustrative purposes only and form no part of the claimed design.

1 Claim, 2 Drawing Sheets



US D582,601 S

Page 2

U.S. PATENT DOCUMENTS

D484,270 S	12/2003	Yiu		D544,117 S	6/2007	Coushaine	
D485,390 S	1/2004	Stancik et al.		D544,618 S	6/2007	Coushaine	
6,726,502 B1 *	4/2004	Hayes	439/422	D544,988 S	6/2007	Benensohn	
D490,925 S *	6/2004	Wilmotte	D26/63	D551,795 S	9/2007	Compton et al.	
6,877,875 B2	4/2005	Yu et al.		D561,925 S	2/2008	Levine	
D506,560 S *	6/2005	Oas	D26/39	D563,013 S	2/2008	Levine	
D507,373 S *	7/2005	Kim	D26/80	D563,014 S	2/2008	Levine	
D509,016 S	8/2005	Benghozi		D563,582 S	3/2008	Levine	
D509,617 S	9/2005	Benghozi		D565,232 S	3/2008	Butler	
6,979,107 B1	12/2005	Benensohn		D567,987 S	4/2008	Khubani	
D535,262 S *	1/2007	Saito et al.	D13/180	2006/0092637 A1 *	5/2006	Yeh	362/249
D535,740 S	1/2007	Brown et al.		2006/0250789 A1	11/2006	Coushaine	
				2007/0070645 A1	3/2007	Coushaine et al.	

* cited by examiner

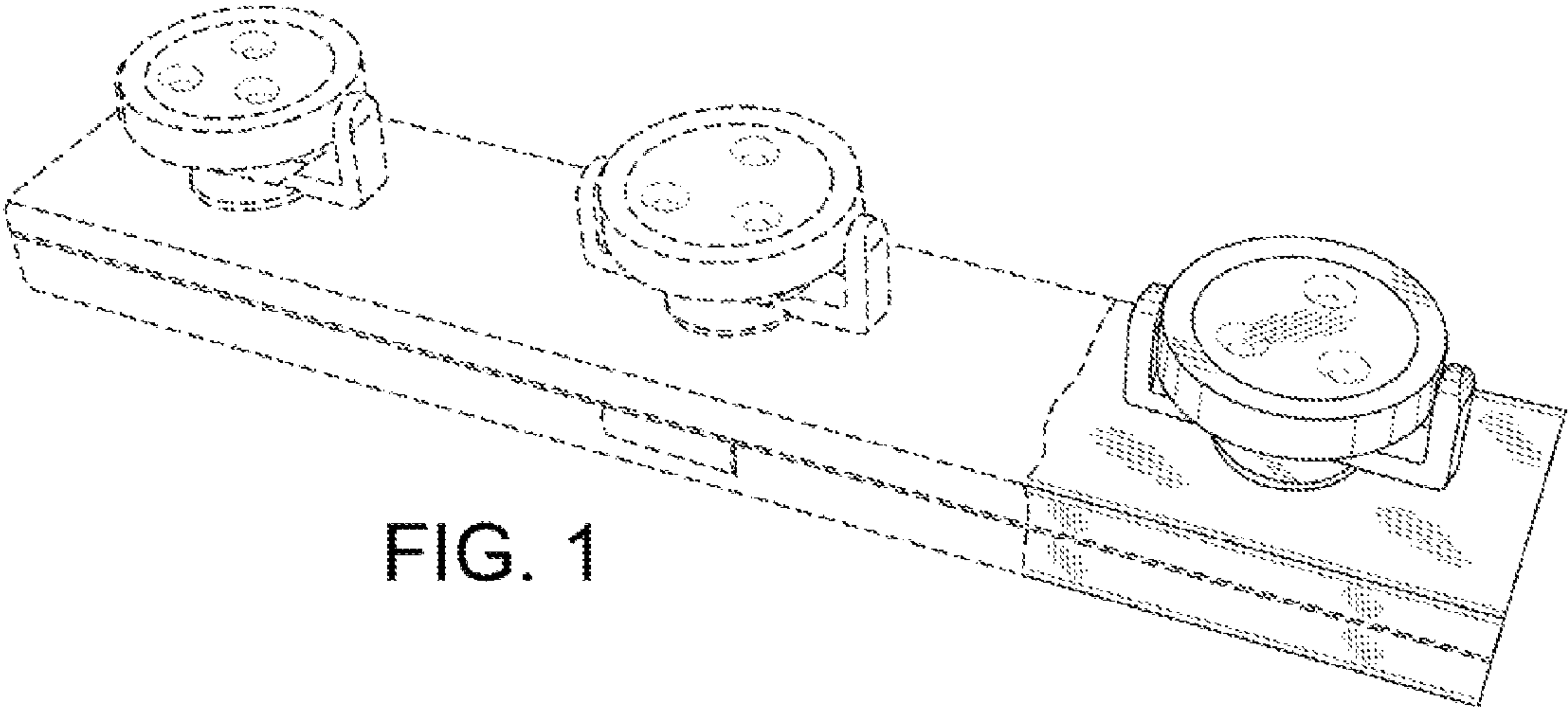


FIG. 1

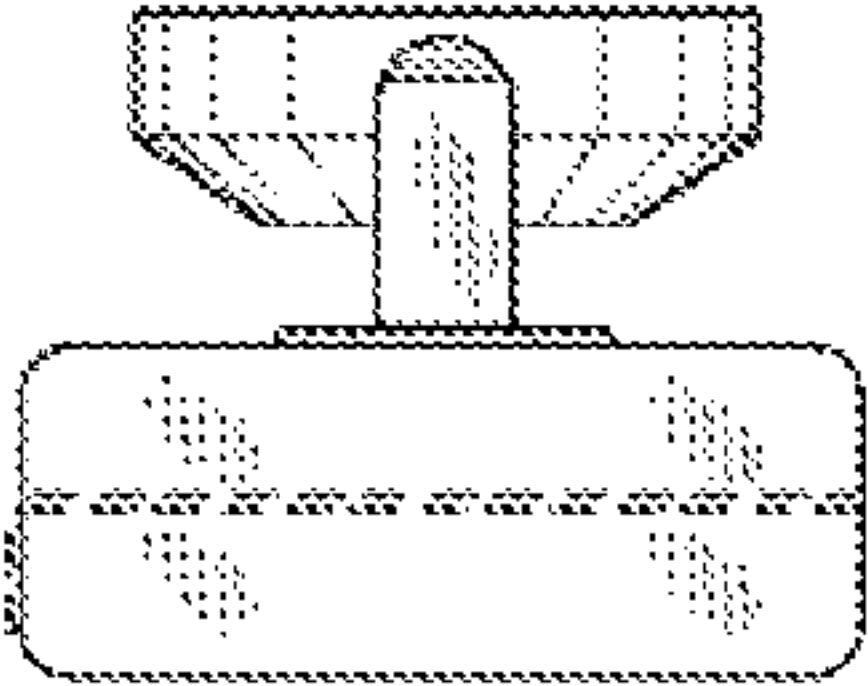


FIG. 2

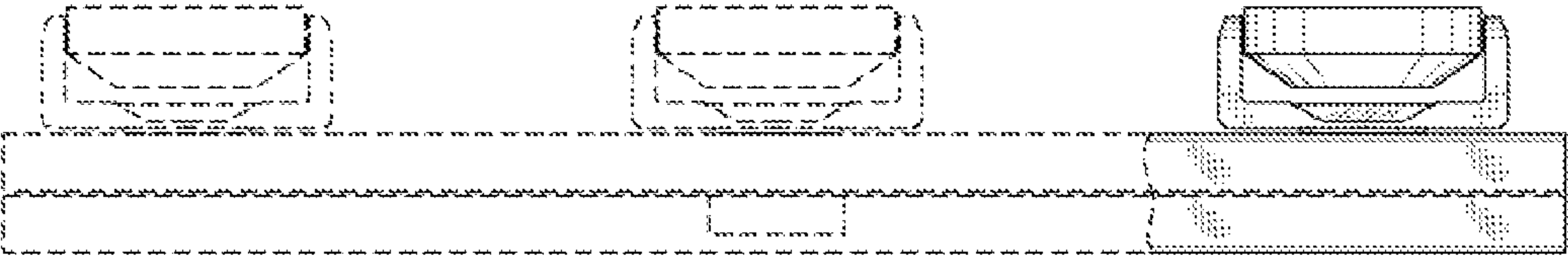


FIG. 3

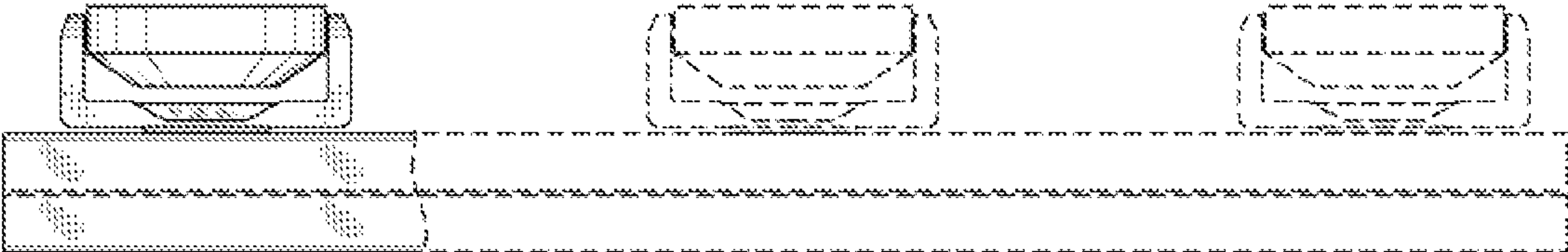


FIG. 4

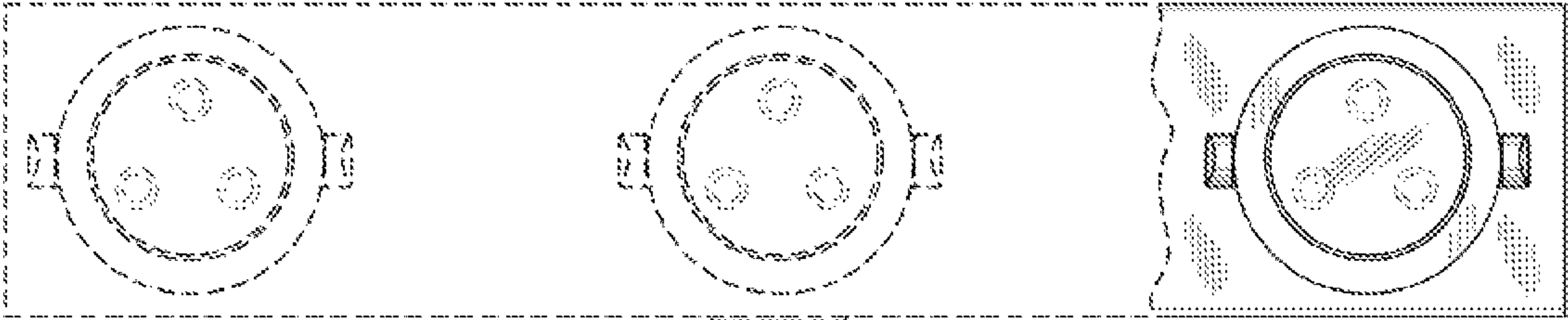


FIG. 5

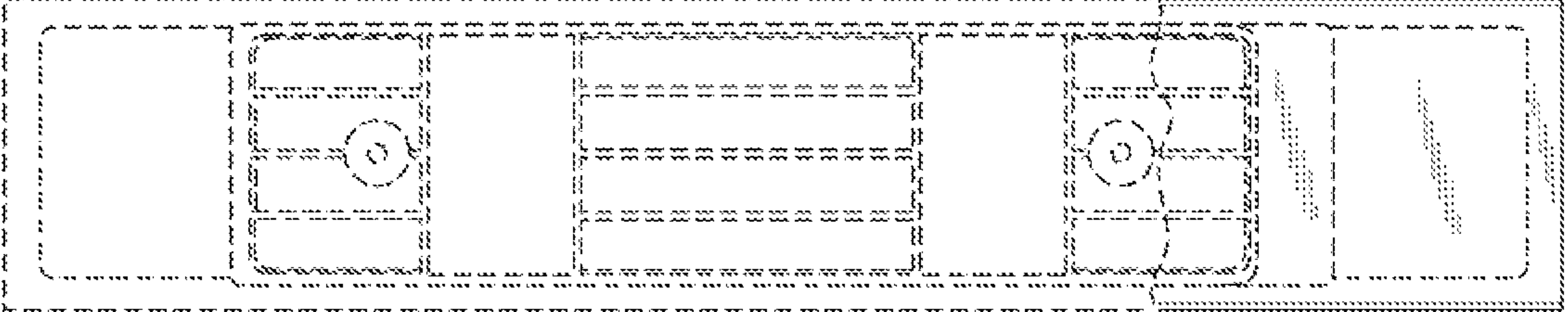


FIG. 6