



US00D582600S

(12) **United States Design Patent**  
**Guercio**

(10) **Patent No.:** **US D582,600 S**  
(45) **Date of Patent:** **\*\* Dec. 9, 2008**

(54) **LIGHTING FIXTURE**

(75) Inventor: **Vincenzo Guercio**, Wallkill, NY (US)

(73) Assignee: **RAB Lighting, Inc.**, Northvale, NJ (US)

(\*\*) Term: **14 Years**

(21) Appl. No.: **29/296,733**

(22) Filed: **Oct. 26, 2007**

(51) **LOC (8) Cl.** ..... **26-03**

(52) **U.S. Cl.** ..... **D26/88**

(58) **Field of Classification Search** ..... D26/71,  
D26/72, 85, 87-89, 92; 362/147, 431, 432,  
362/371, 375, 340

See application file for complete search history.

(56) **References Cited**

**U.S. PATENT DOCUMENTS**

D207,414 S *	4/1967	Lum et al.	.....	D26/88
D235,228 S *	5/1975	van Steenhoven	.....	D26/67
D269,639 S *	7/1983	Eargle et al.	.....	D26/88
D271,428 S *	11/1983	de Vos et al.	.....	D26/85
4,654,768 A *	3/1987	Dryman et al.	.....	362/374
D302,737 S *	8/1989	Hoke et al.	.....	D26/88
D418,938 S *	1/2000	McCartney et al.	.....	D26/88
6,733,158 B2 *	5/2004	Fischer et al.	.....	362/404

D544,127 S \* 6/2007 Posey et al. .... D26/88

**OTHER PUBLICATIONS**

Lumark High and Low Bay Light Fixtures found at <http://www.specialty-lights.com/highbay.html> on Apr. 14, 2008.\*

4 Photographs of common High Bay designs sold by RAB Lighting, Northvale, NJ since Dec. 2006.

\* cited by examiner

*Primary Examiner*—Clare E Heflin

(74) *Attorney, Agent, or Firm*—Overhauser Law Offices LLC

(57) **CLAIM**

The ornamental design for a lighting fixture, as shown and described.

**DESCRIPTION**

FIG. 1 is a perspective view of a lighting fixture showing my new design;

FIG. 2 is a further perspective view thereof;

FIG. 3 is a side view thereof;

FIG. 4 is a front view thereof;

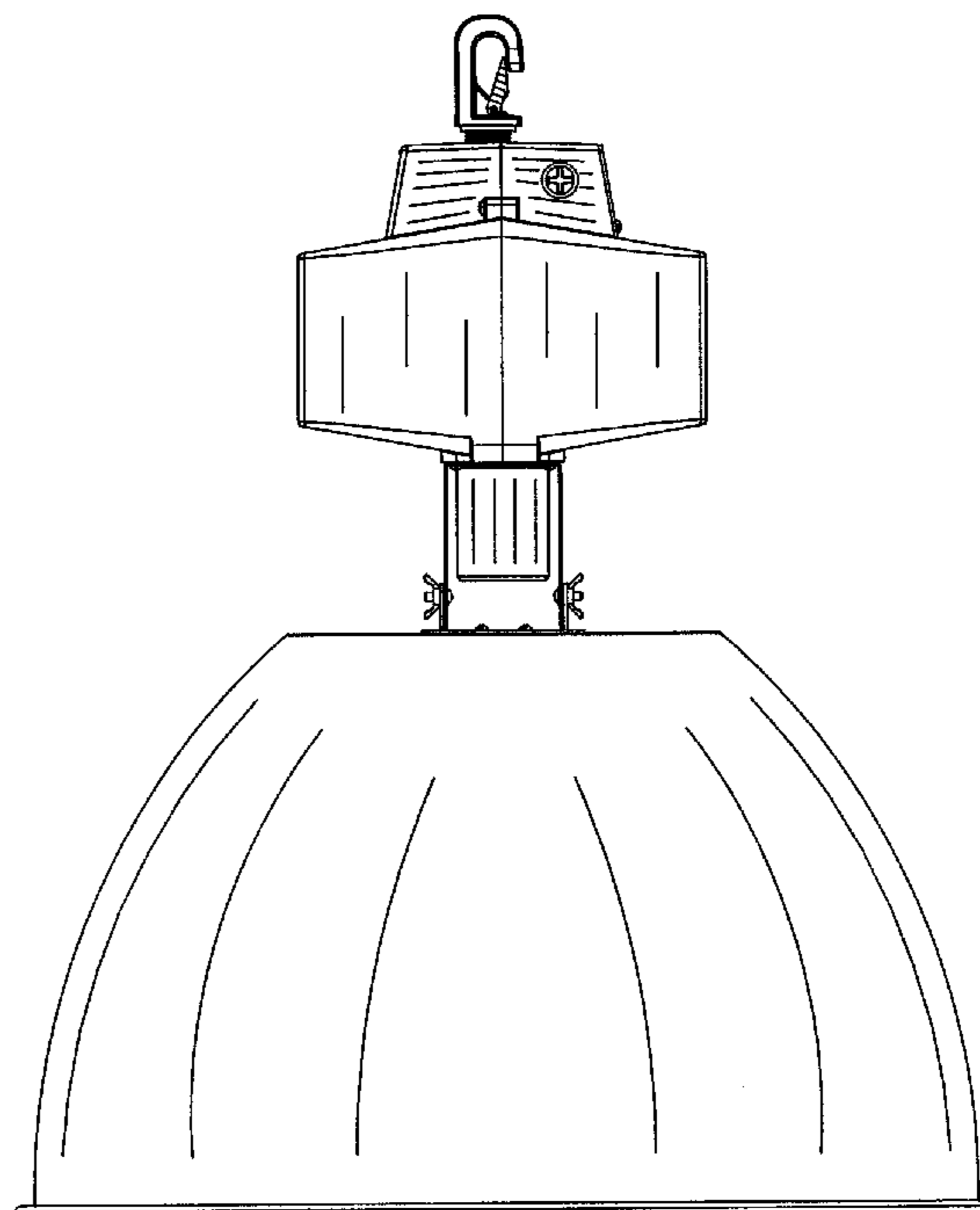
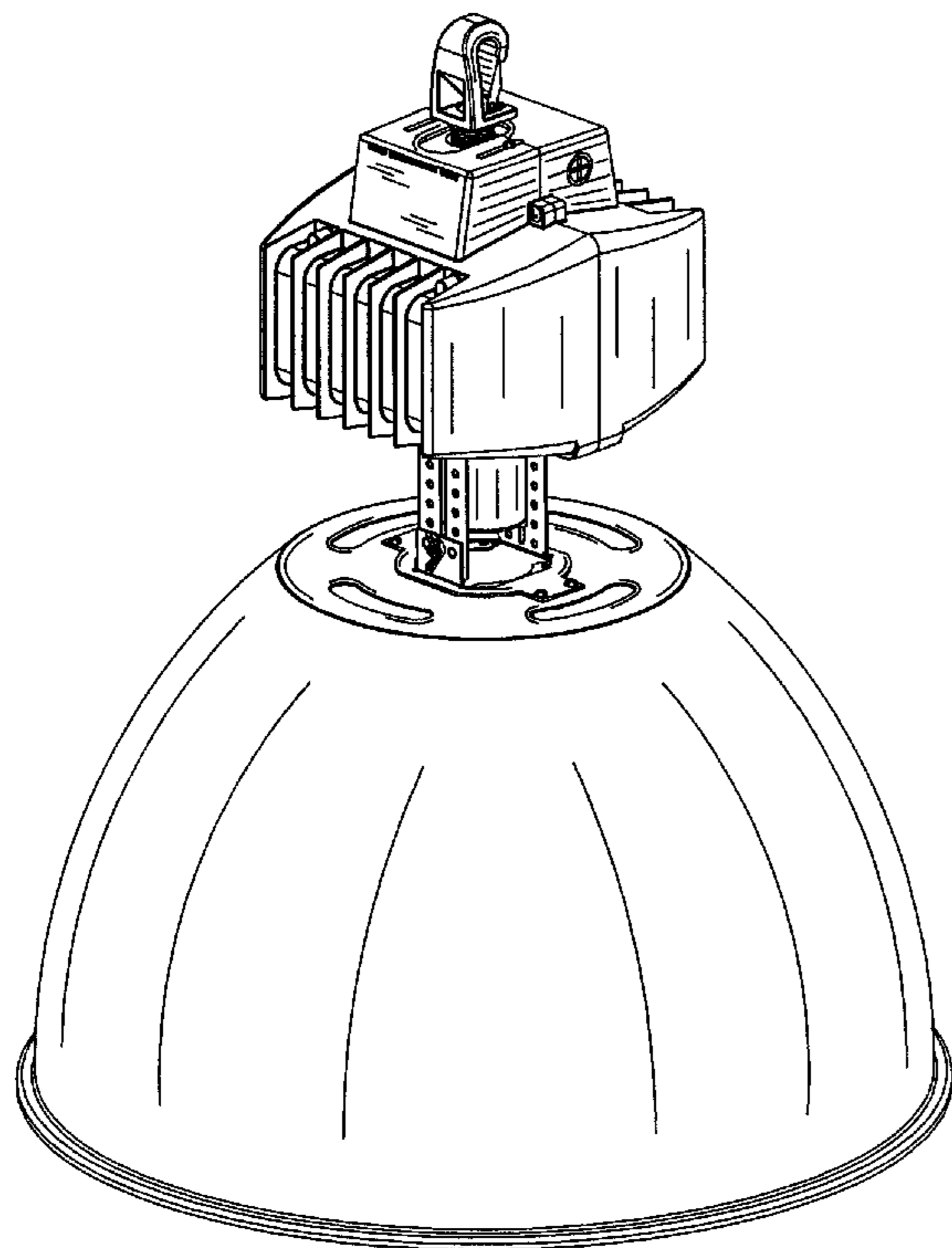
FIG. 5 is an opposite side view thereof;

FIG. 6 is a rear view thereof;

FIG. 7 is a top view thereof; and,

FIG. 8 is a bottom view thereof.

**1 Claim, 8 Drawing Sheets**



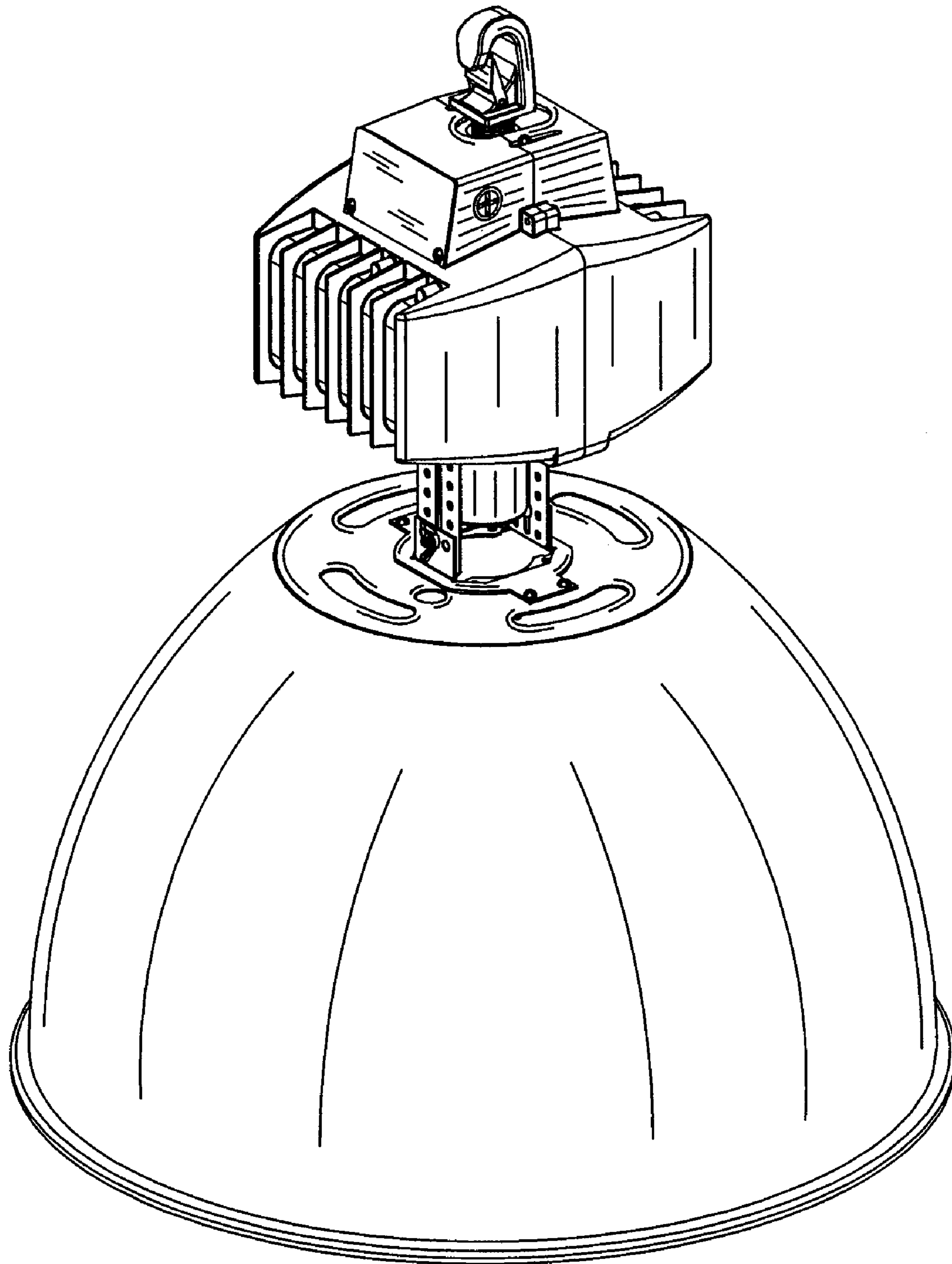


FIG. 1

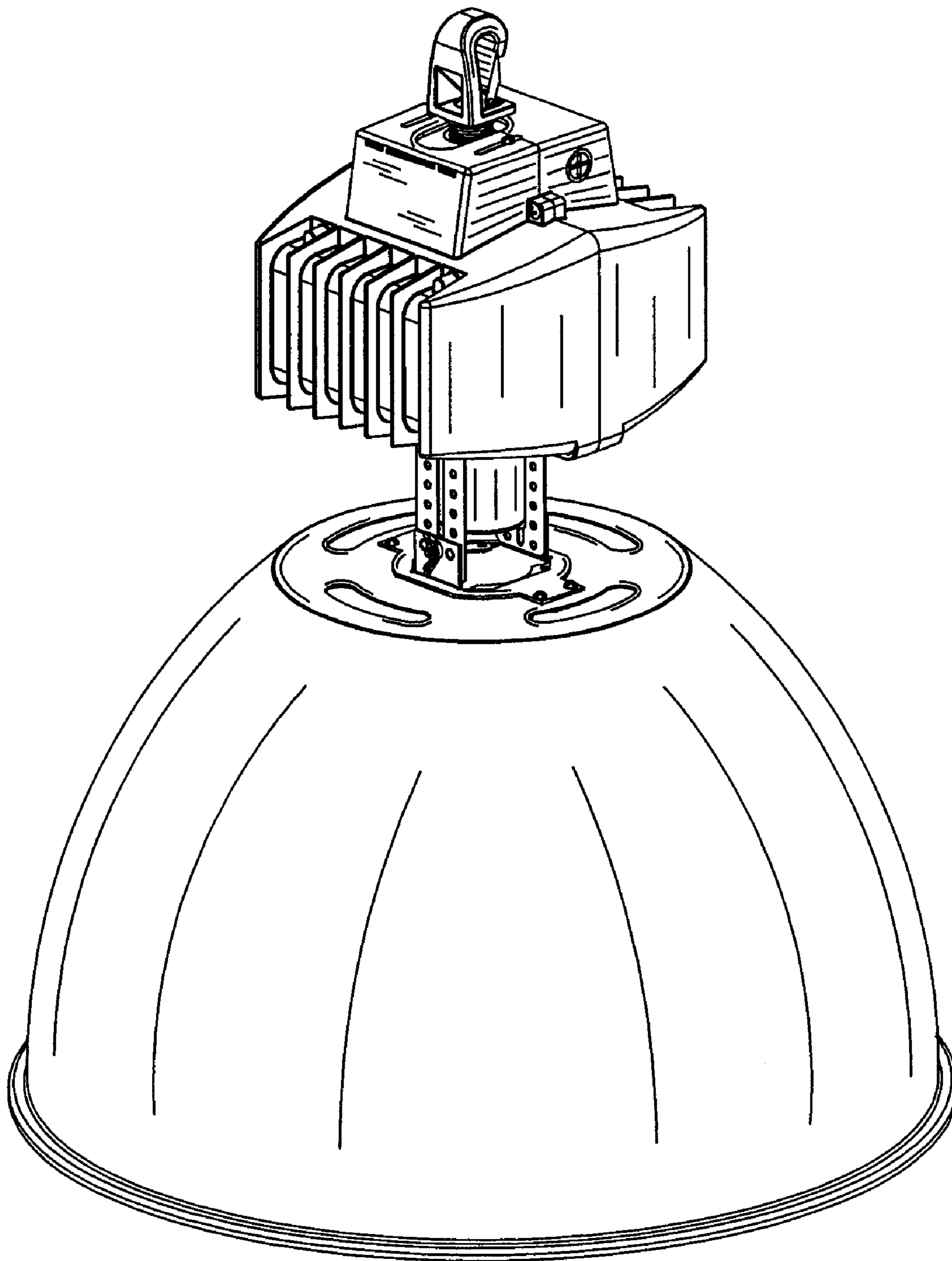


FIG. 2

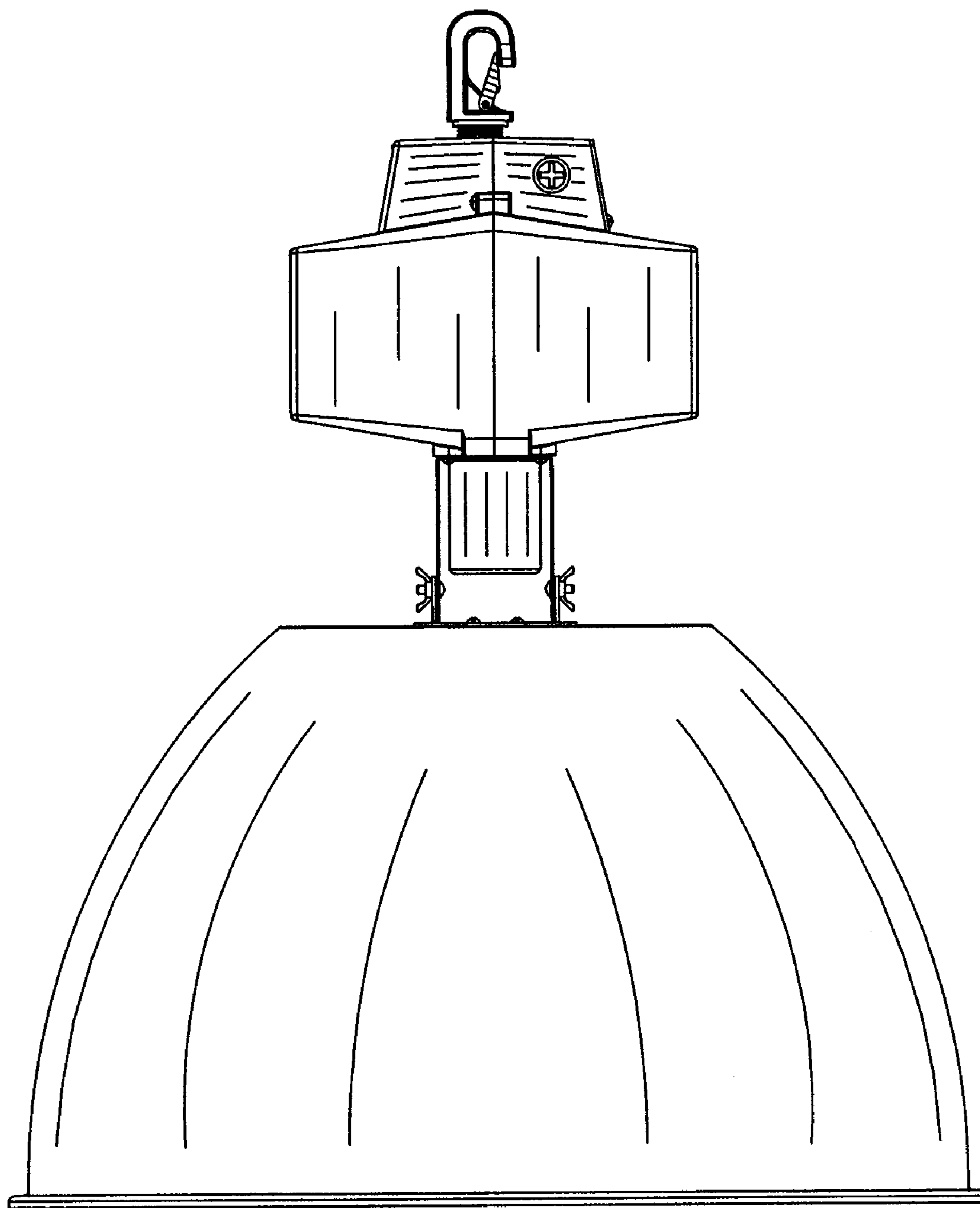


FIG. 3

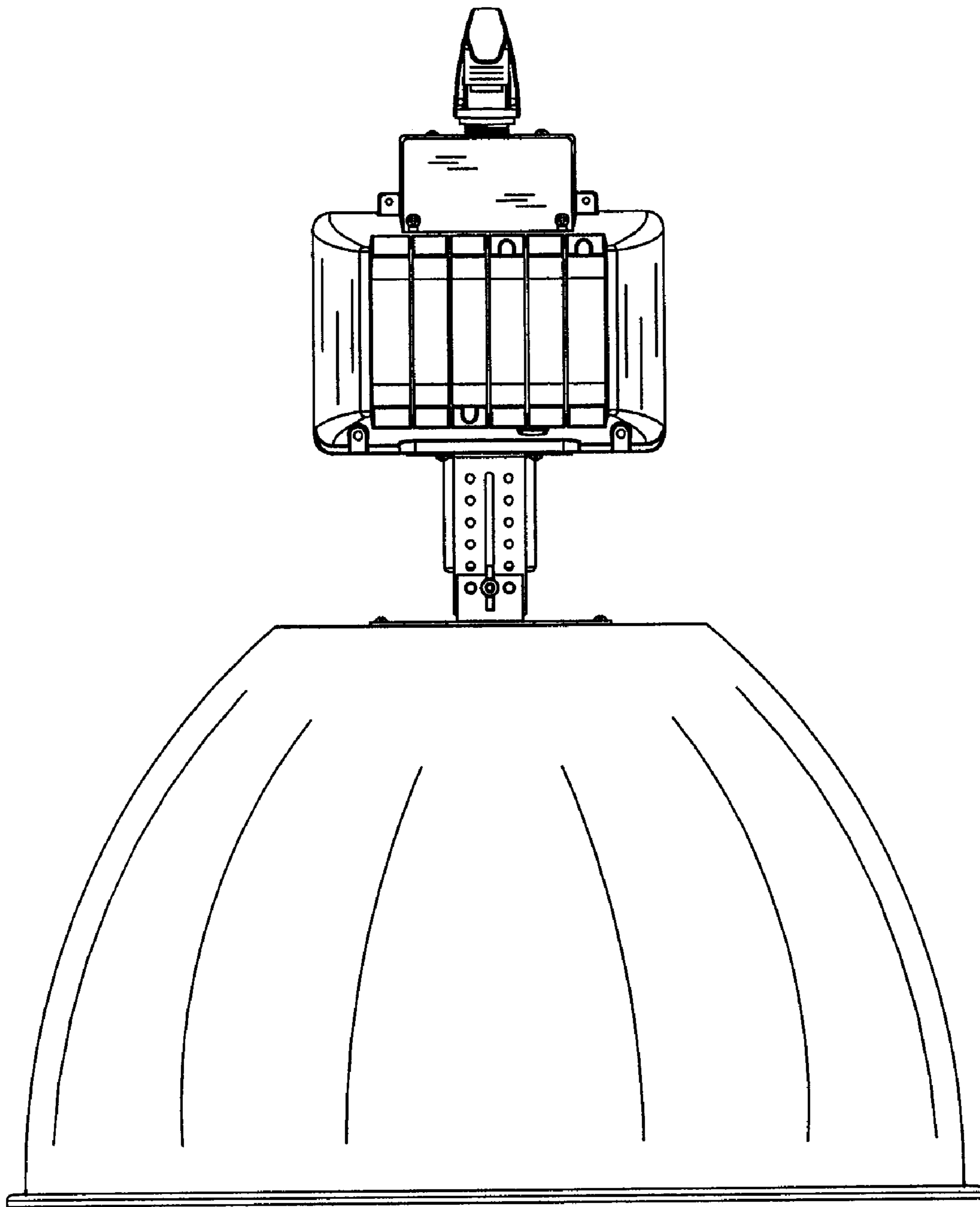


FIG. 4

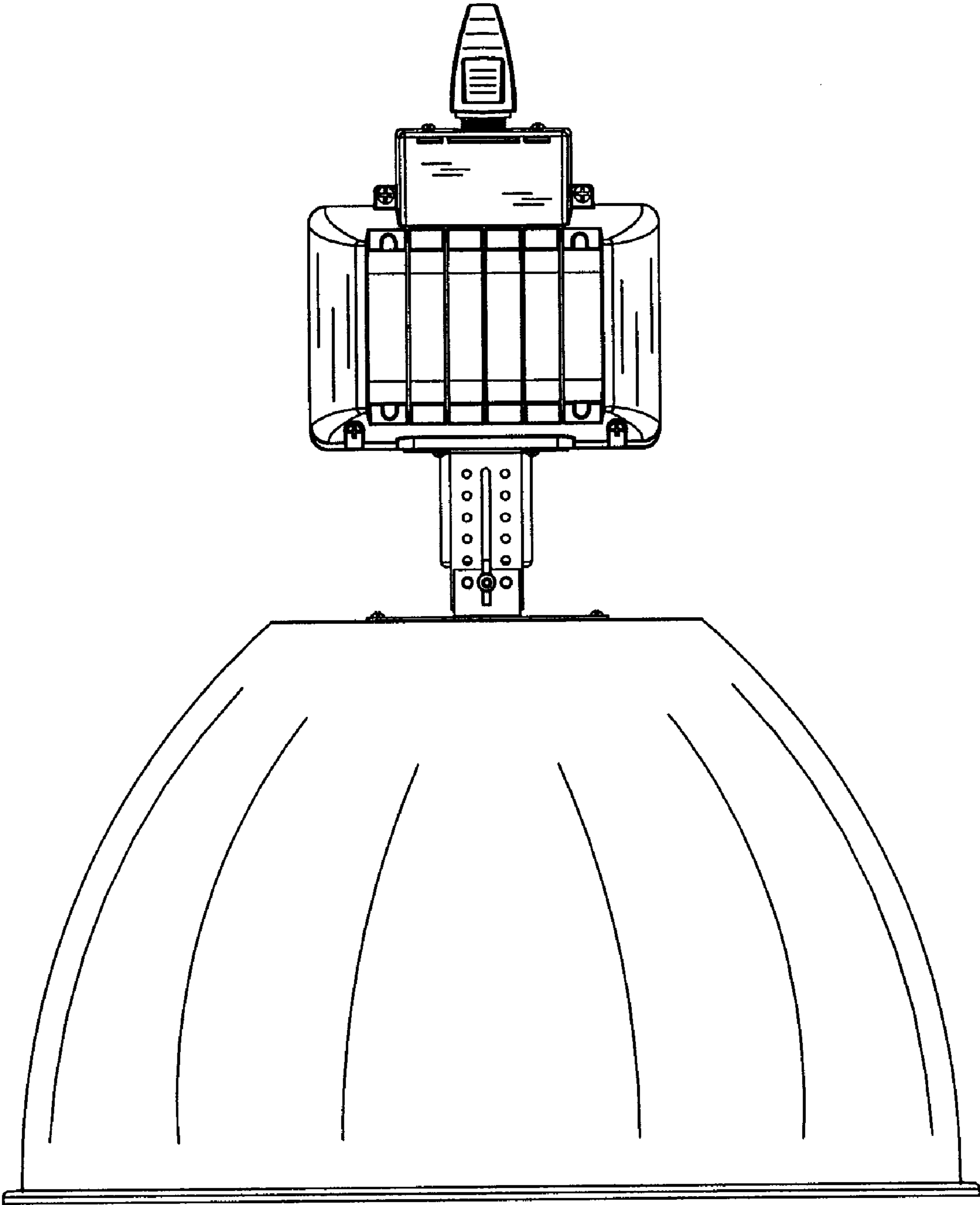


FIG. 5

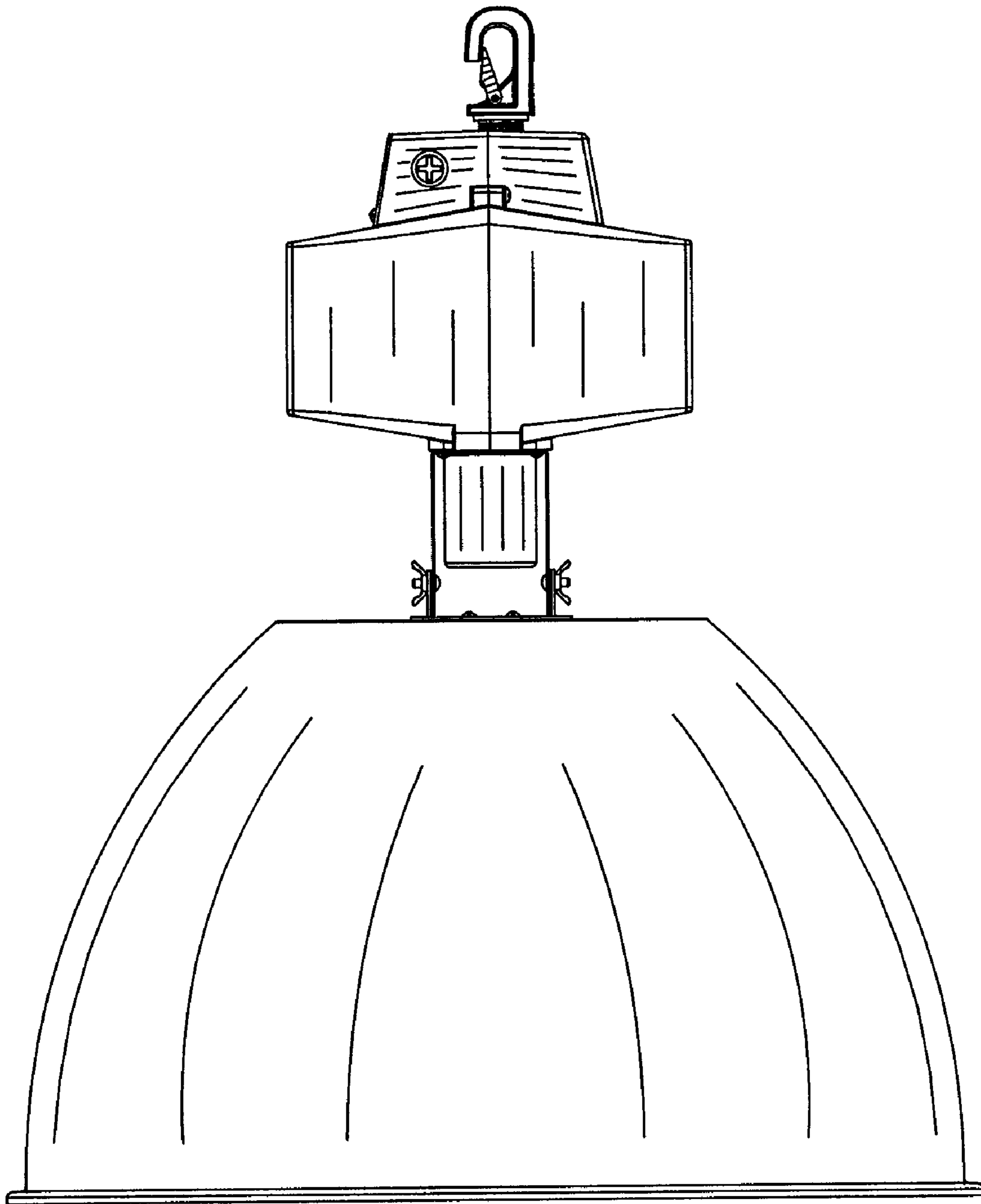


FIG. 6

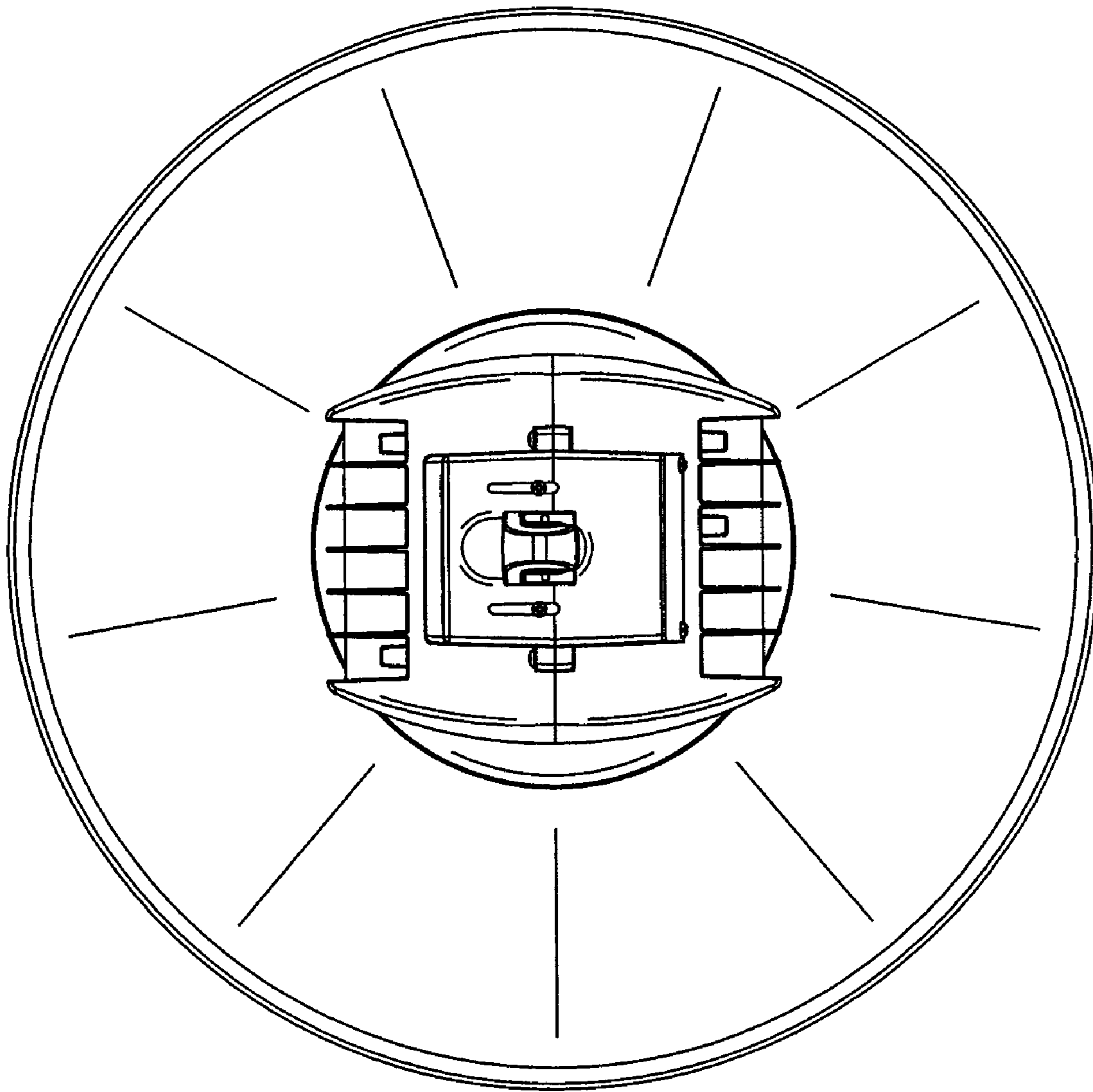


FIG. 7



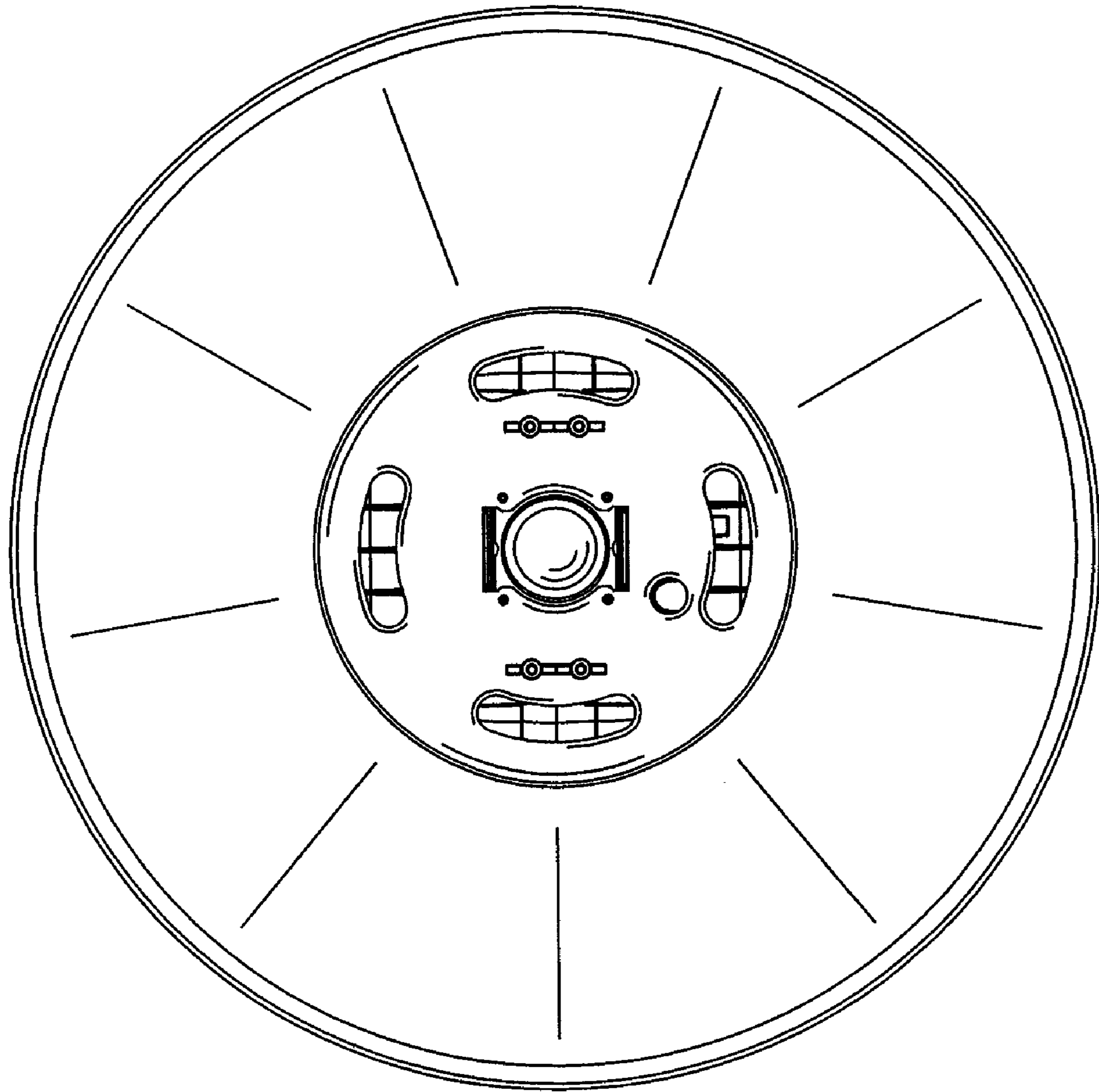


FIG. 8

UNITED STATES PATENT AND TRADEMARK OFFICE  
**CERTIFICATE OF CORRECTION**

PATENT NO. : Des. 582,600 S  
APPLICATION NO. : 29/296733  
DATED : December 9, 2008  
INVENTOR(S) : Vincenzo Guercio

Page 1 of 1

It is certified that error appears in the above-identified patent and that said Letters Patent is hereby corrected as shown below:

On the Title page of the issued patent certificate under the Description section, Figure 5 is described as “an opposite side view thereof” and Figure 6 is described as “a rear view thereof.”

The corrected descriptions for Figures 5 and 6 are:

Fig. 5 is a rear view thereof;

Fig. 6 is an opposite side view thereof;

Signed and Sealed this

Eighth Day of September, 2009



David J. Kappos  
*Director of the United States Patent and Trademark Office*