



US00D582599S

(12) **United States Design Patent**
Zhou

(10) **Patent No.:** **US D582,599 S**

(45) **Date of Patent:** **** Dec. 9, 2008**

(54) **LED LAMP**

(75) Inventor: **Qin-Fei Zhou**, Shenzhen (CN)

(73) Assignee: **Foxconn Technology Co., Ltd.**,
Tu-Cheng, Taipei Hsien (TW)

(**) Term: **14 Years**

(21) Appl. No.: **29/305,653**

(22) Filed: **Mar. 25, 2008**

(51) **LOC (8) Cl.** **26-03**

(52) **U.S. Cl.** **D26/85**

(58) **Field of Classification Search** D26/67-71,
D26/85, 87, 92; 362/147, 152, 183, 414,
362/431, 545

See application file for complete search history.

(56) **References Cited**

U.S. PATENT DOCUMENTS

D198,274 S *	5/1964	Rycus	D26/87
D221,892 S *	9/1971	Synder	D26/142
D309,786 S *	8/1990	Chien	D26/67
D312,889 S *	12/1990	Swadell	D26/68
D378,435 S *	3/1997	Trombley	D26/68

D426,012 S *	5/2000	Giese et al.	D26/68
D443,941 S *	6/2001	Boeckley	D26/67
D462,134 S *	8/2002	Cheong	D26/67
D483,509 S *	12/2003	Osiecki et al.	D26/67
2002/0191396 A1 *	12/2002	Reiff et al.	362/246

* cited by examiner

Primary Examiner—Clare E Heflin

(74) *Attorney, Agent, or Firm*—Frank R. Niranjana

(57) **CLAIM**

The ornamental design for an LED lamp, as shown.

DESCRIPTION

FIG. 1 is a perspective view of an LED lamp showing my new design;

FIG. 2 is a front elevational view thereof;

FIG. 3 is a rear elevational view thereof;

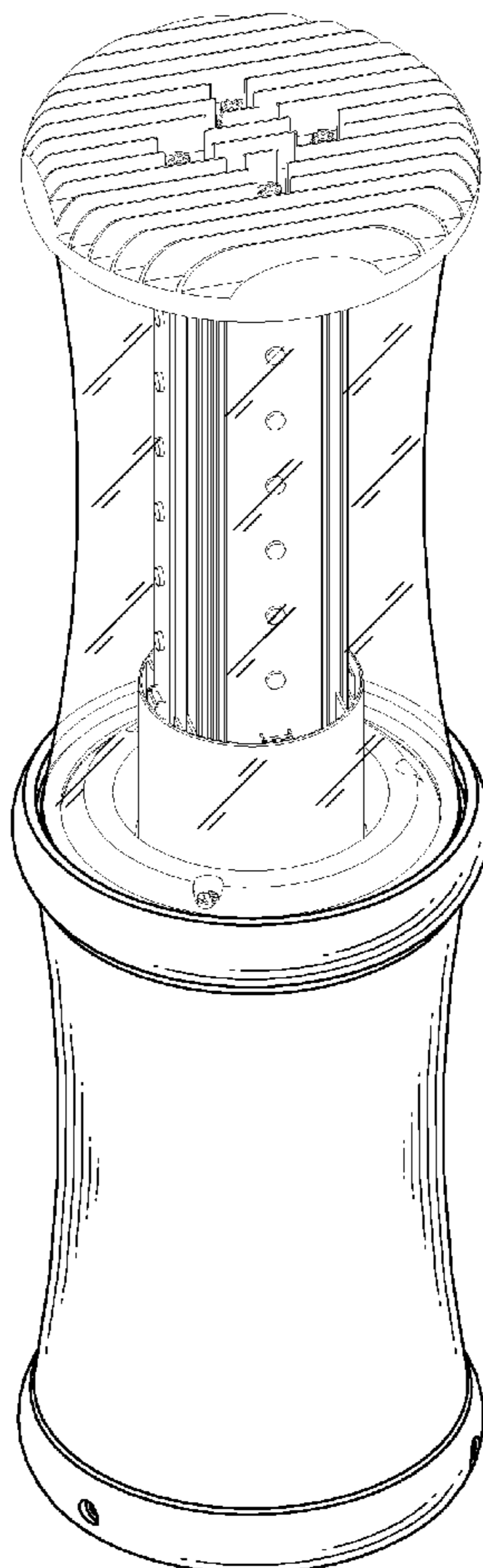
FIG. 4 is a left-side, elevational view thereof;

FIG. 5 is a right-side, elevational view thereof;

FIG. 6 is a top plan view thereof; and,

FIG. 7 is a bottom plan view thereof.

1 Claim, 7 Drawing Sheets



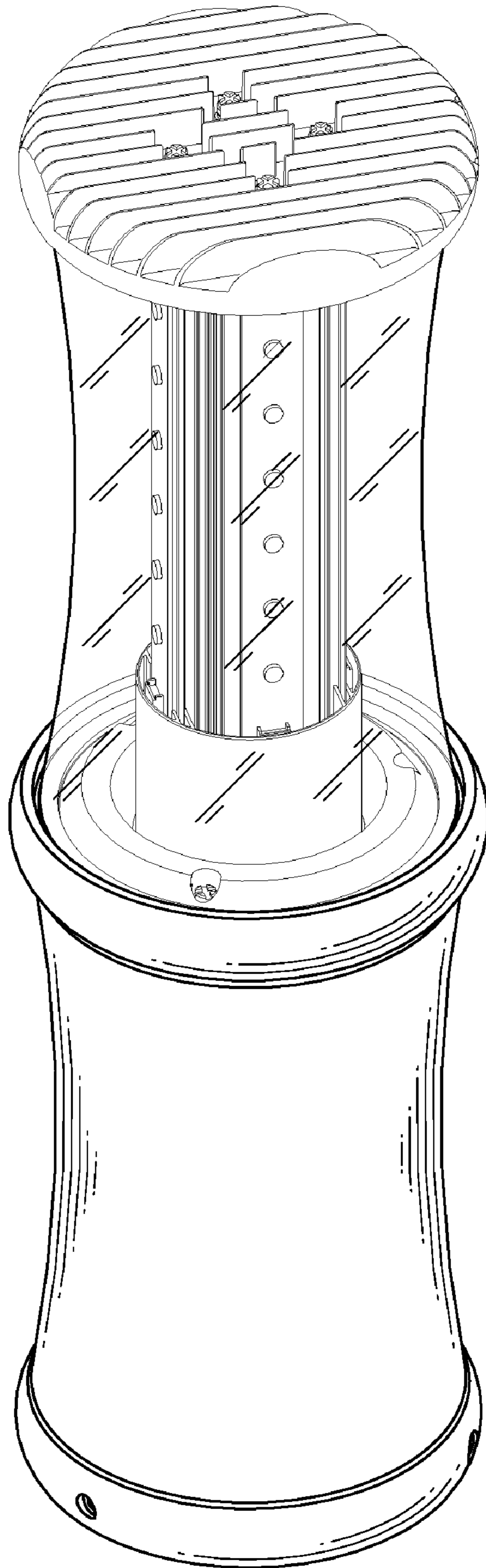


FIG. 1

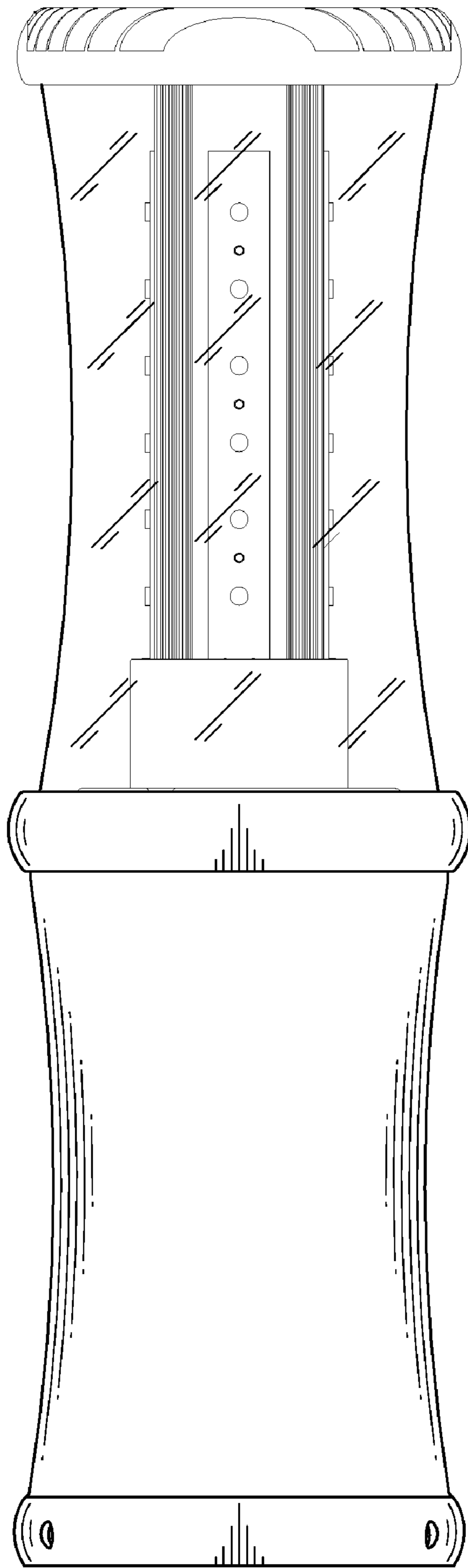


FIG. 2

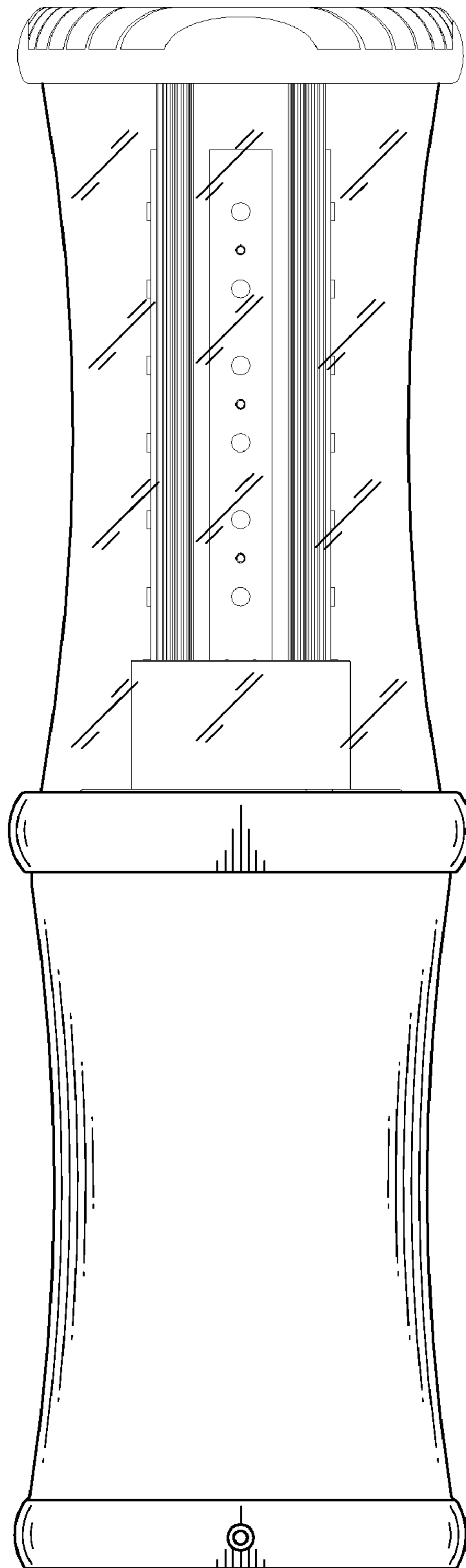


FIG. 3

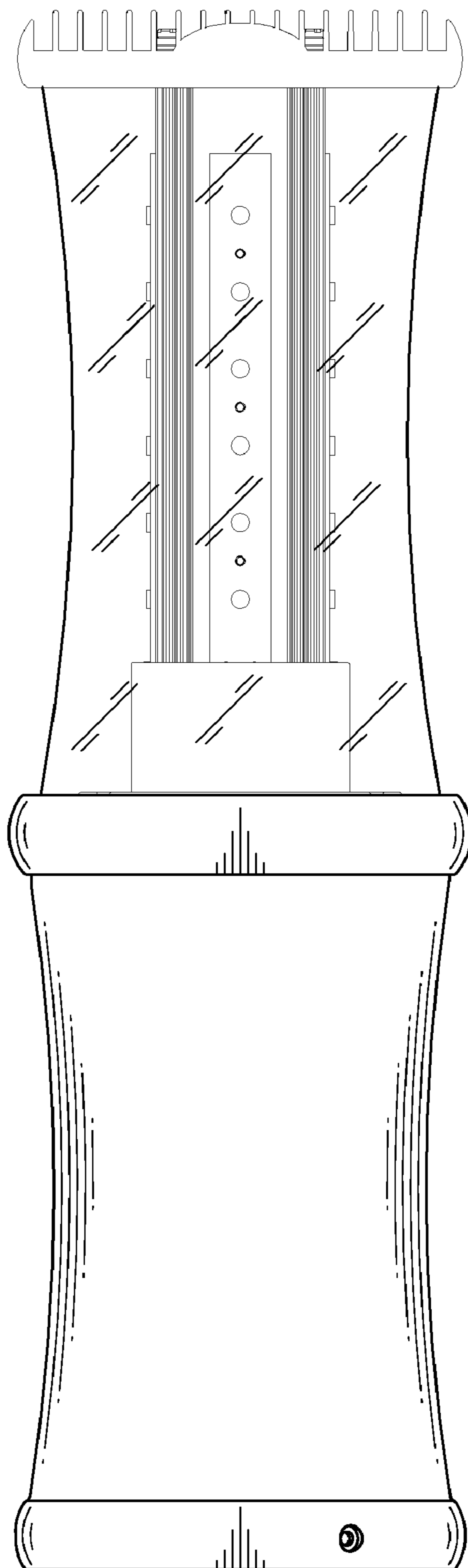


FIG. 4

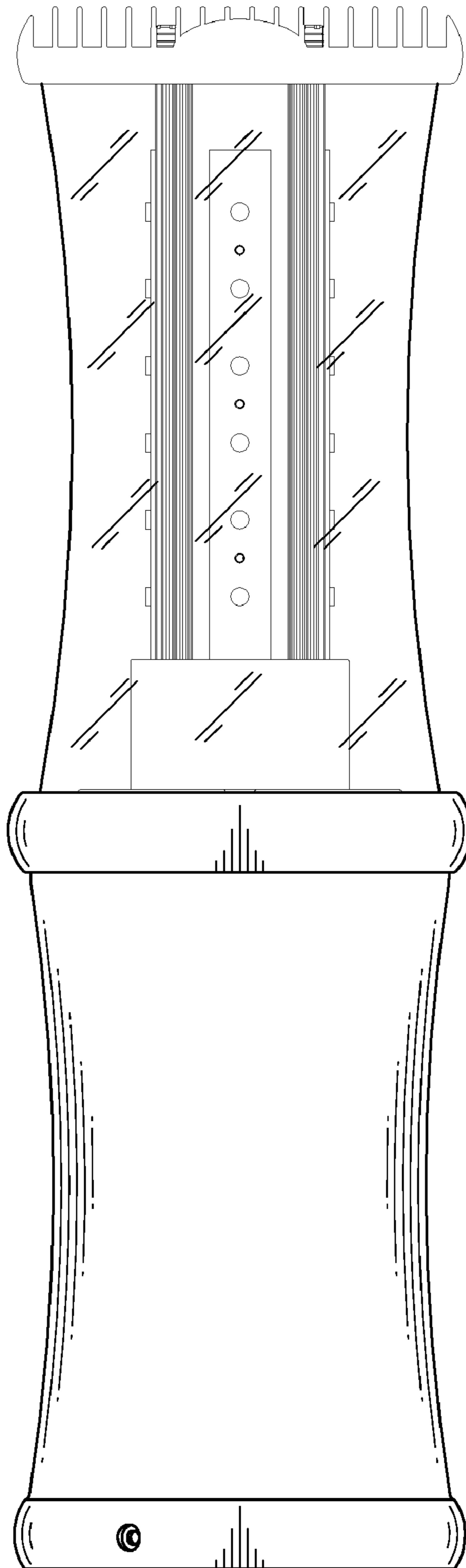


FIG. 5

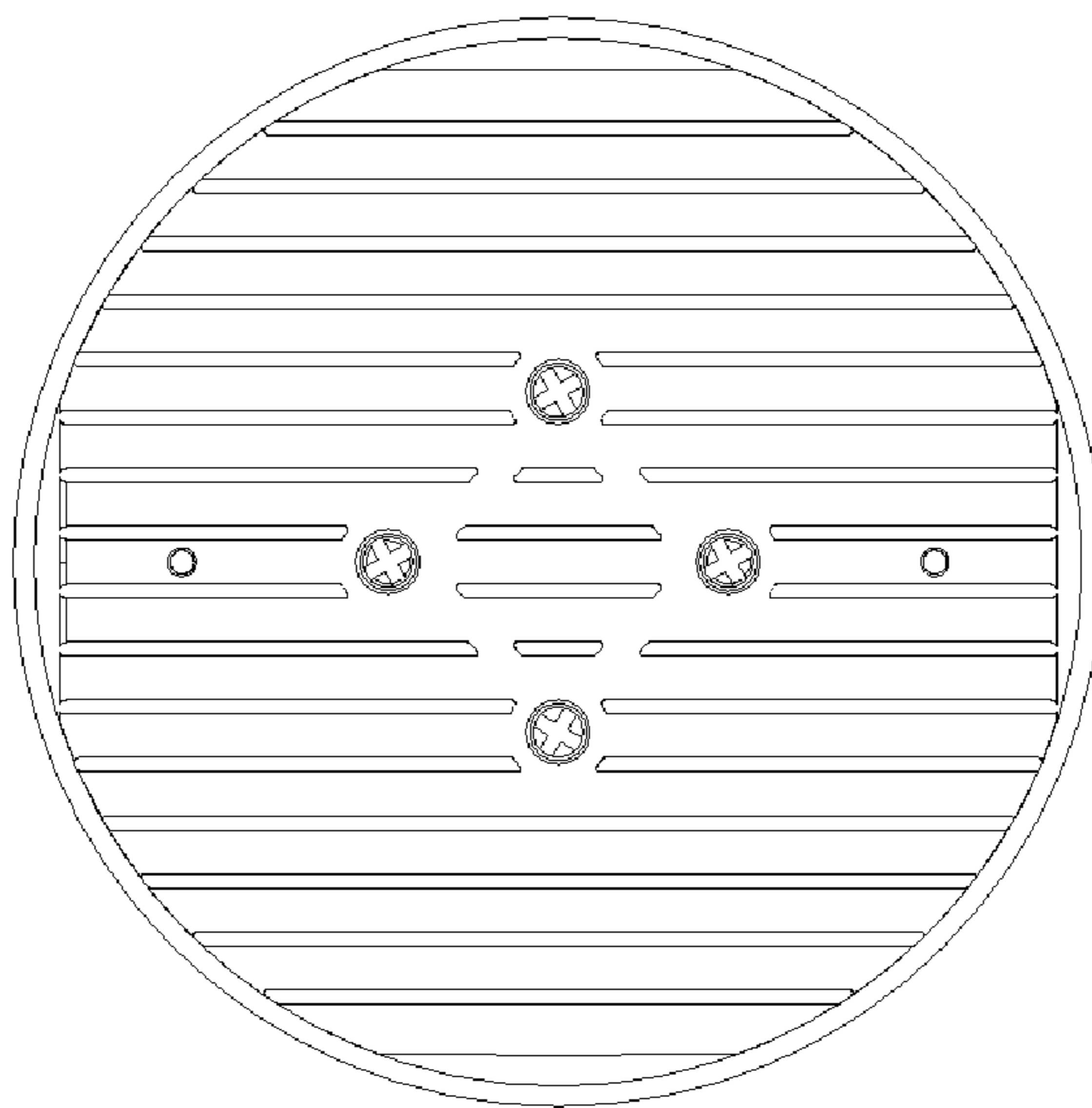


FIG. 6

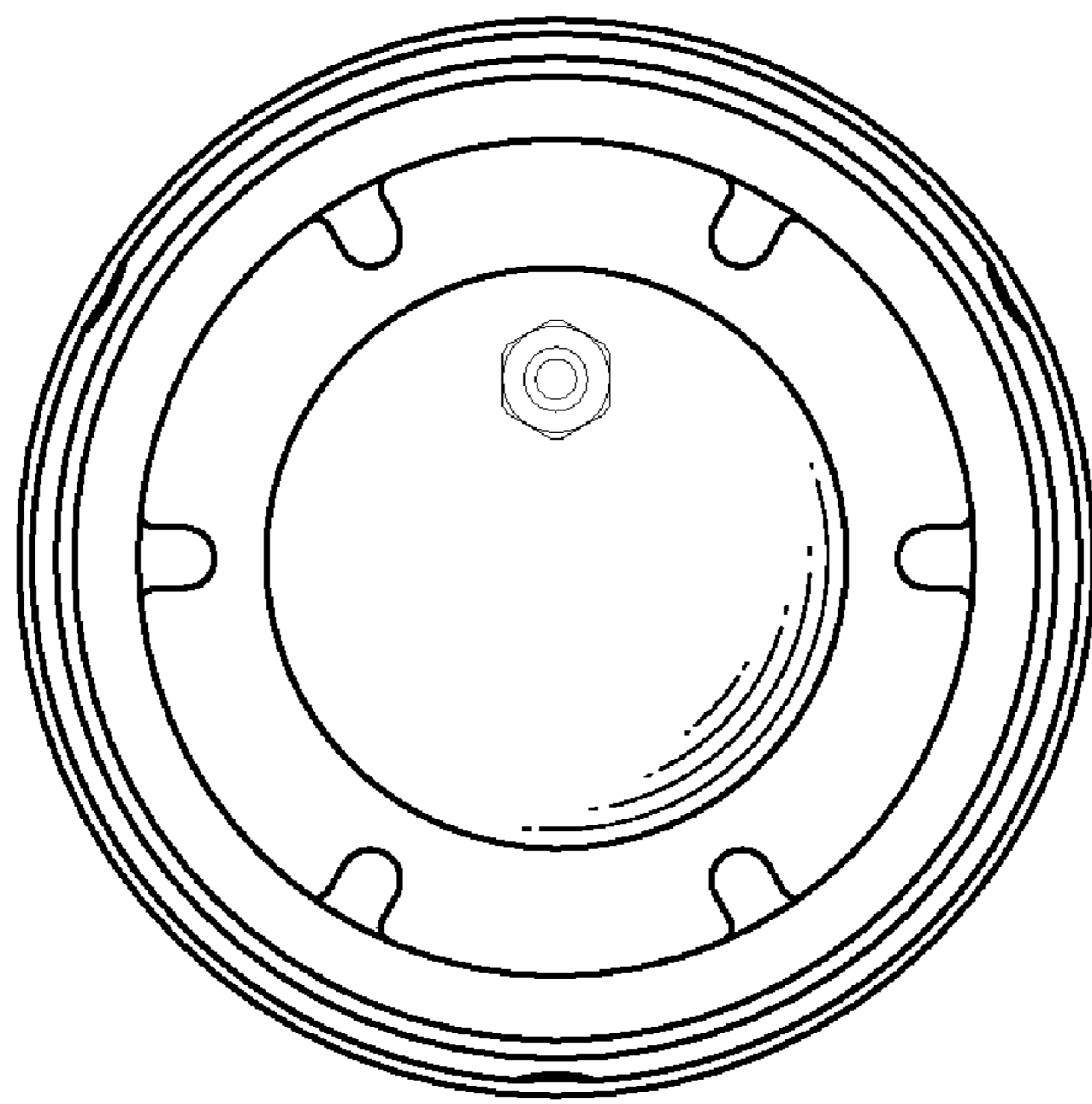


FIG. 7