



US00D582594S

(12) **United States Design Patent**  
**Zhou et al.**

(10) **Patent No.:** **US D582,594 S**

(45) **Date of Patent:** **\*\* Dec. 9, 2008**

(54) **LED LAMP**

(75) Inventors: **Qin-Fei Zhou**, Shenzhen (CN);  
**Yong-Dong Chen**, Shenzhen (CN);  
**Shih-Hsun Wung**, Taipei Hsien (TW)

(73) Assignee: **Foxconn Technology Co., Ltd.**,  
Tu-Cheng, Taipei Hsien (TW)

(\*\*) Term: **14 Years**

(21) Appl. No.: **29/318,264**

(22) Filed: **May 16, 2008**

(51) **LOC (8) Cl.** ..... **26-05**

(52) **U.S. Cl.** ..... **D26/69**

(58) **Field of Classification Search** ..... D26/67-71,  
D26/85, 87, 92; 362/147, 152, 183, 414,  
362/431, 545

See application file for complete search history.

(56) **References Cited**

**U.S. PATENT DOCUMENTS**

- D75,431 S \* 6/1928 Kaplan et al. .... D26/87
- 4,200,904 A \* 4/1980 Doan ..... 362/183
- 4,486,820 A \* 12/1984 Baba et al. .... 362/183
- D329,920 S \* 9/1992 Dieperink et al. .... D26/87

- 5,595,440 A \* 1/1997 Gordin et al. .... 362/431
- D390,992 S \* 2/1998 Shemitz ..... D26/85
- D404,842 S \* 1/1999 Hurst ..... D26/68
- 6,942,361 B1 \* 9/2005 Kishimura et al. .... 362/431
- D571,716 S \* 6/2008 Anderson ..... D26/68
- D573,742 S \* 7/2008 Bears ..... D26/71
- 2006/0250803 A1 \* 11/2006 Chen ..... 362/183

\* cited by examiner

*Primary Examiner*—Clare E Heflin

(74) *Attorney, Agent, or Firm*—Frank R. Niranjan

(57) **CLAIM**

The ornamental design for an LED lamp, as shown.

**DESCRIPTION**

FIG. 1 is a perspective view of an LED lamp showing our new design;

FIG. 2 is a front elevational view thereof;

FIG. 3 is a rear elevational view thereof;

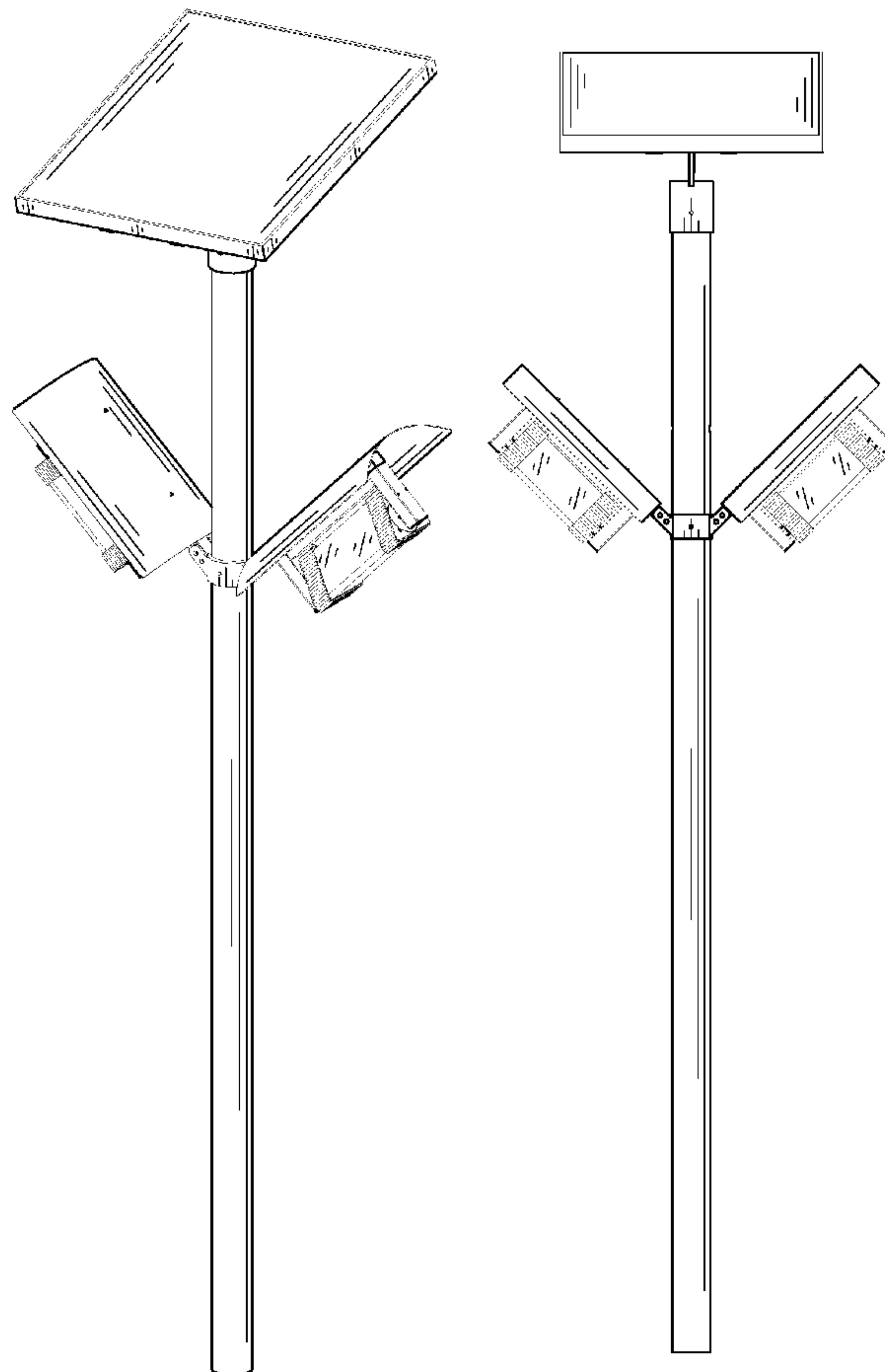
FIG. 4 is a left-side, elevational view thereof;

FIG. 5 is a right-side, elevational view thereof;

FIG. 6 is a top plan view thereof; and,

FIG. 7 is a bottom plan view thereof.

**1 Claim, 7 Drawing Sheets**



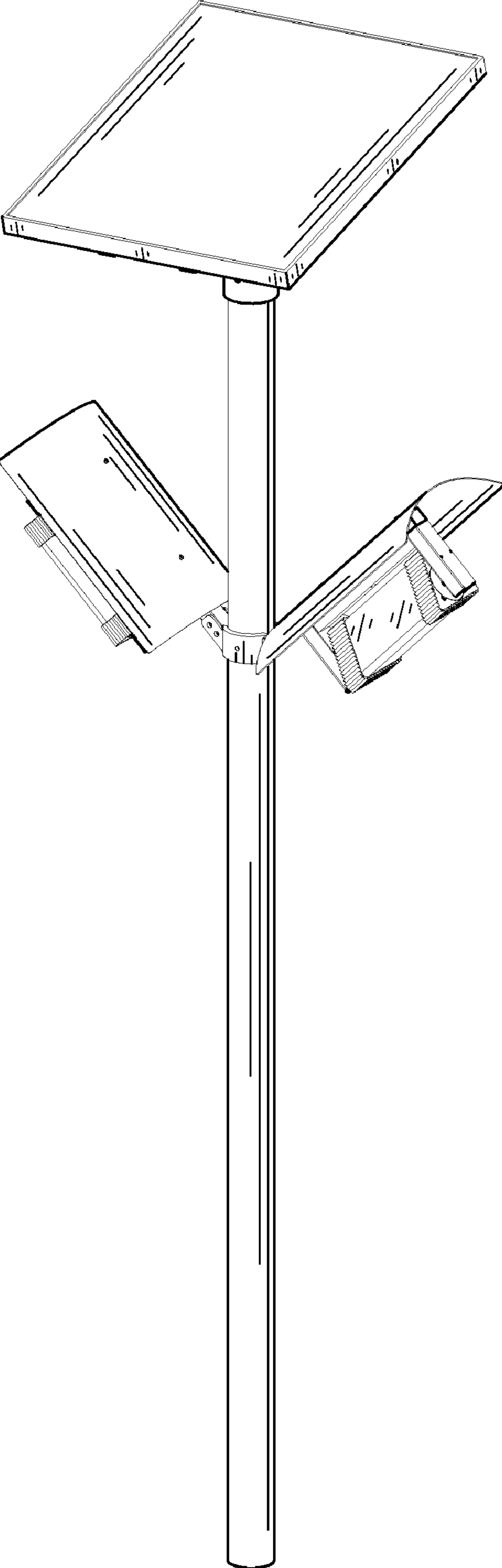


FIG. 1

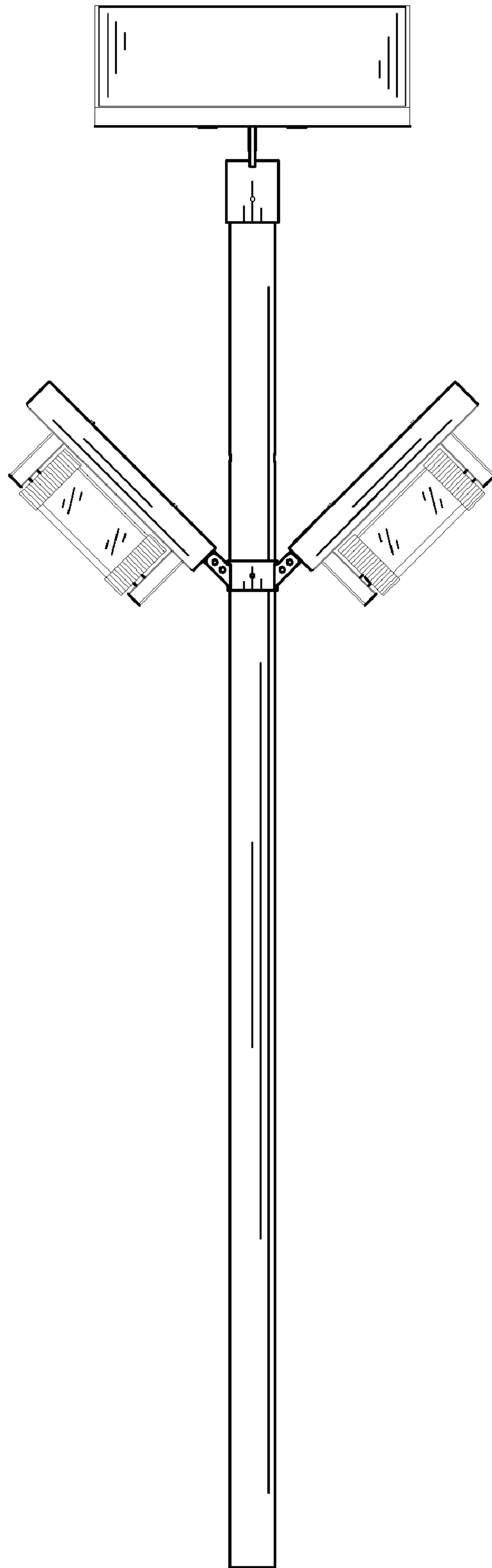


FIG. 2

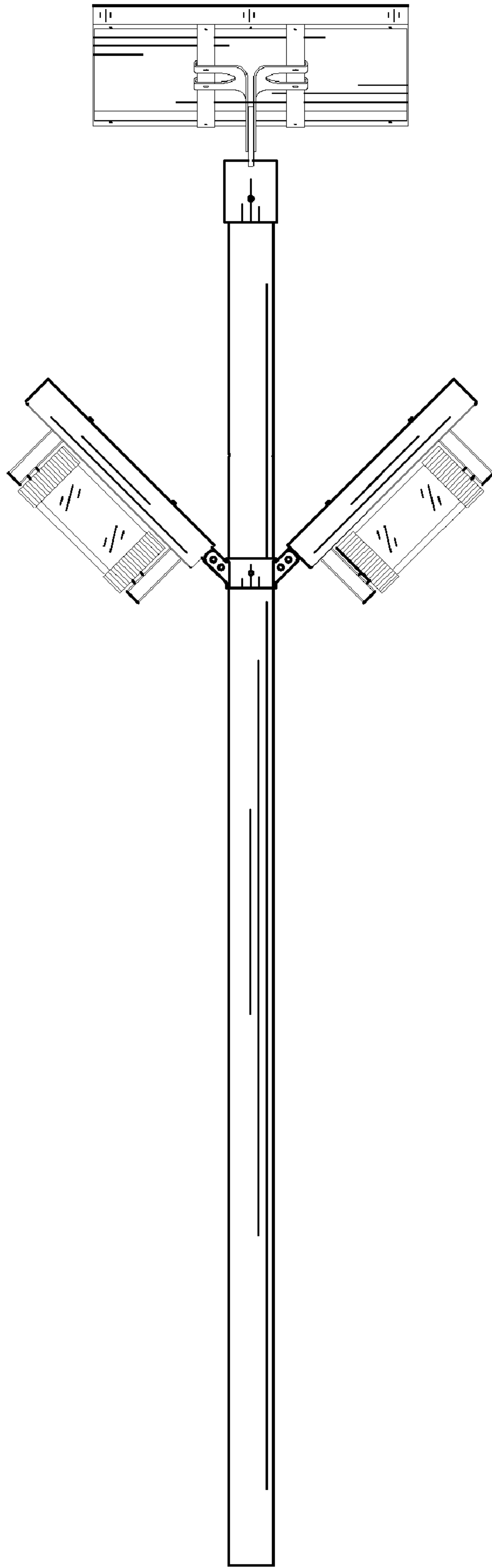


FIG. 3

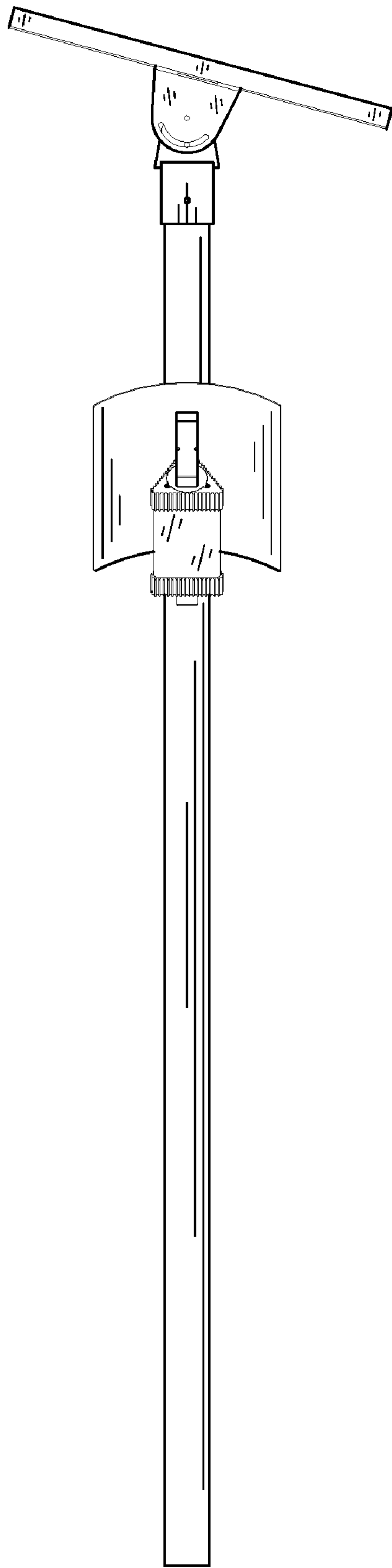


FIG. 4

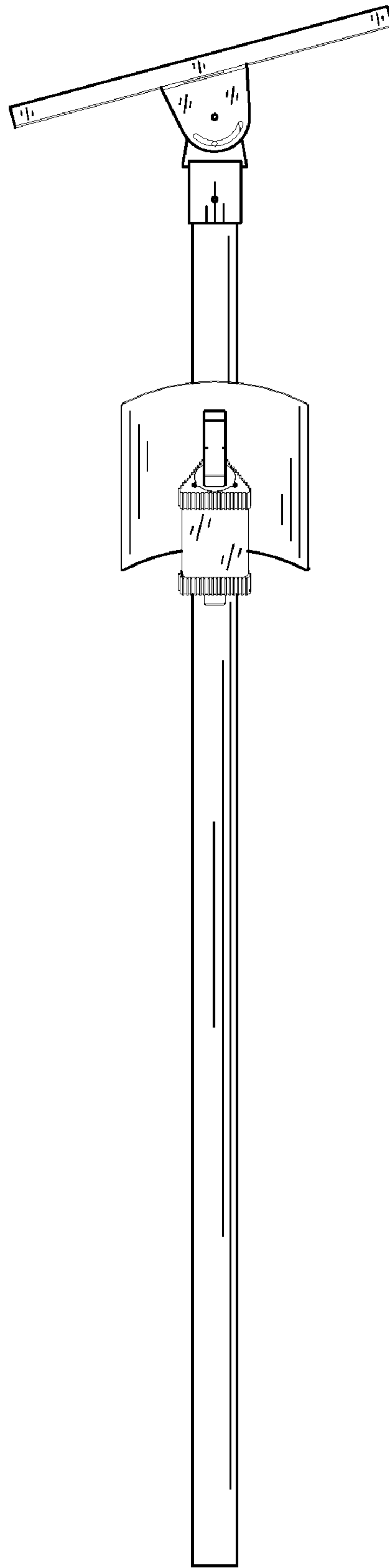


FIG. 5

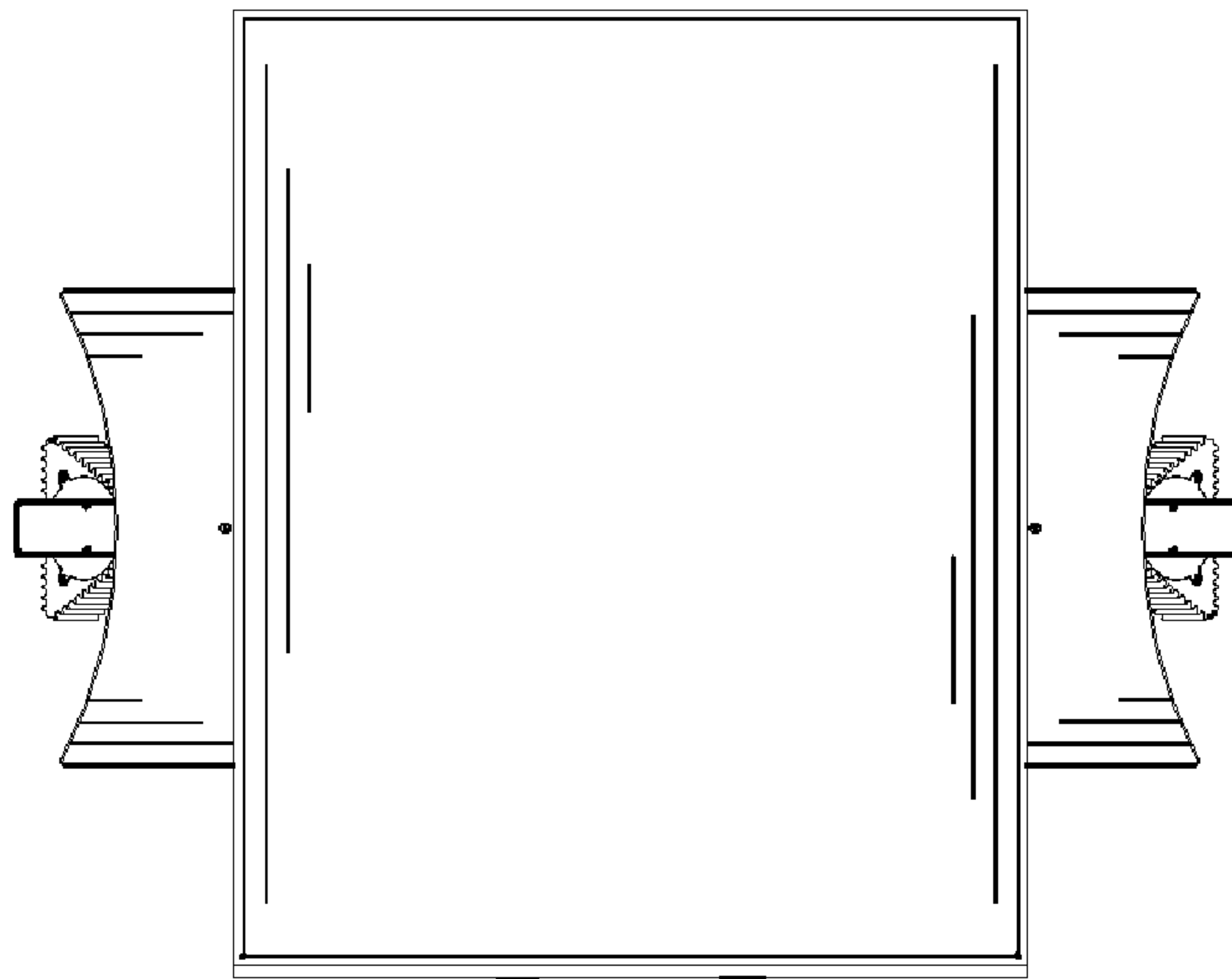


FIG. 6

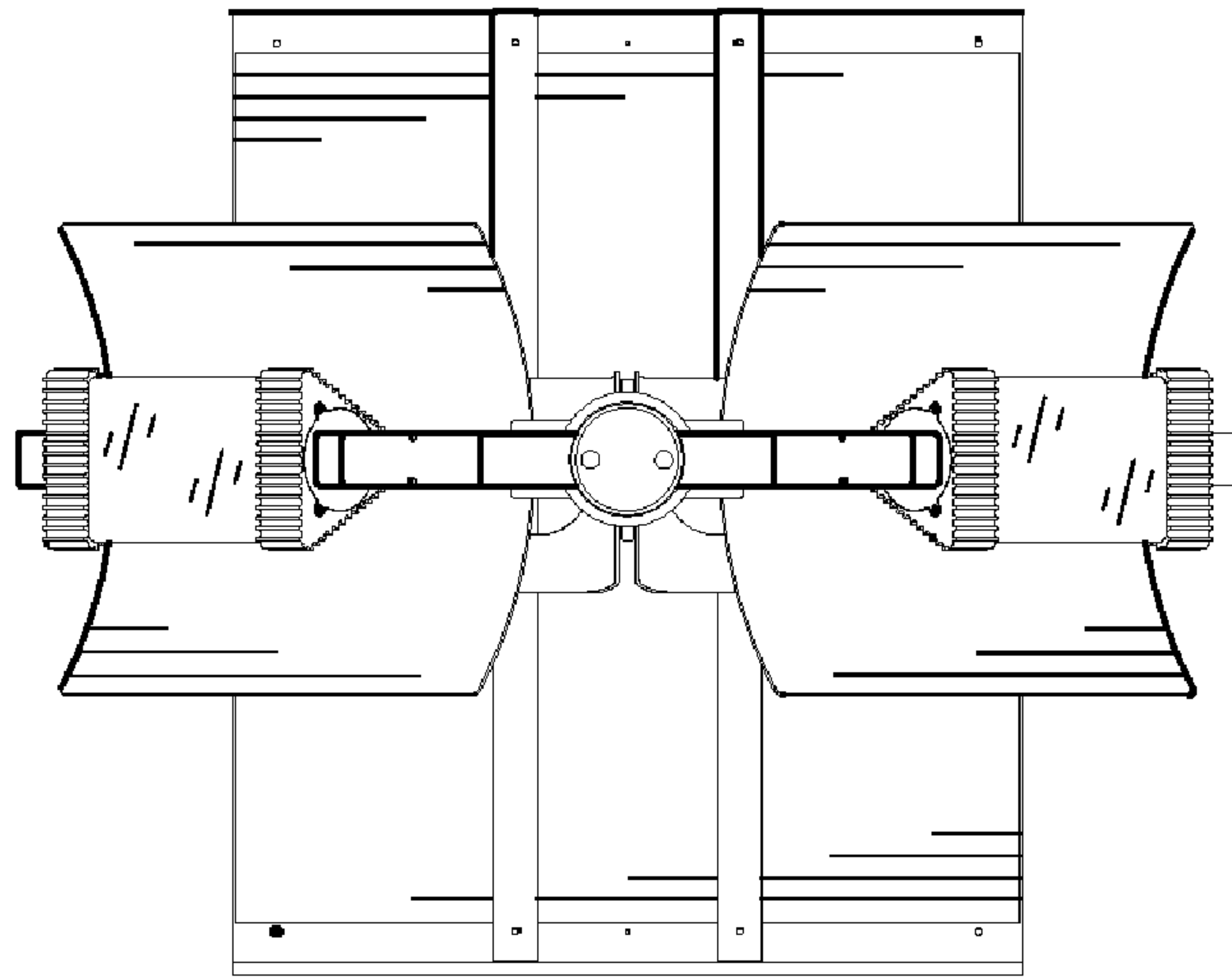


FIG. 7