



US00D582593S

(12) **United States Design Patent**  
**Cheng**

(10) **Patent No.:** **US D582,593 S**

(45) **Date of Patent:** **\*\* Dec. 9, 2008**

(54) **LAMP**

(76) **Inventor:** **Hsi-Chou Cheng**, No. 180, Sec. 2,  
Chengsi St., Tainan (TW)

(\*\*) **Term:** **14 Years**

(21) **Appl. No.:** **29/309,257**

(22) **Filed:** **Jul. 15, 2008**

(51) **LOC (8) Cl.** ..... **26-05**

(52) **U.S. Cl.** ..... **D26/63**

(58) **Field of Classification Search** ..... D26/43,  
D26/51, 56, 60-66, 72, 93, 107, 118, 128;  
D24/210; 362/147, 191, 230, 231, 232, 238,  
362/239, 250, 254, 255, 265, 269, 270, 275,  
362/277, 278, 280-288, 306, 310, 311, 362,  
362/396, 404, 410-414, 418-430, 449, 640,  
362/647, 648, 652, 653, 655, 804, 99; 439/122  
See application file for complete search history.

(56) **References Cited**

**U.S. PATENT DOCUMENTS**

5,209,562 A \* 5/1993 Glassford ..... 362/378  
D348,743 S \* 7/1994 Leen et al. .... D26/60  
5,400,234 A \* 3/1995 Yu ..... 362/396

5,414,608 A \* 5/1995 Stekelenburg ..... 362/396  
5,448,463 A \* 9/1995 Leen ..... 362/396  
5,510,970 A \* 4/1996 Hollenbach et al. .... 362/396  
7,097,320 B2 \* 8/2006 Cleveland ..... 362/190  
D572,402 S \* 7/2008 Nakabayashi et al. .... D26/124

\* cited by examiner

*Primary Examiner*—Cathron C Brooks

*Assistant Examiner*—Barbara Fox

(74) *Attorney, Agent, or Firm*—Rosenberg, Klein & Lee

(57) **CLAIM**

The ornamental design for a lamp, as shown and described.

**DESCRIPTION**

FIG. 1 is a perspective view of a lamp showing my new design;

FIG. 2 is a front elevational view thereof;

FIG. 3 is a rear elevational view thereof;

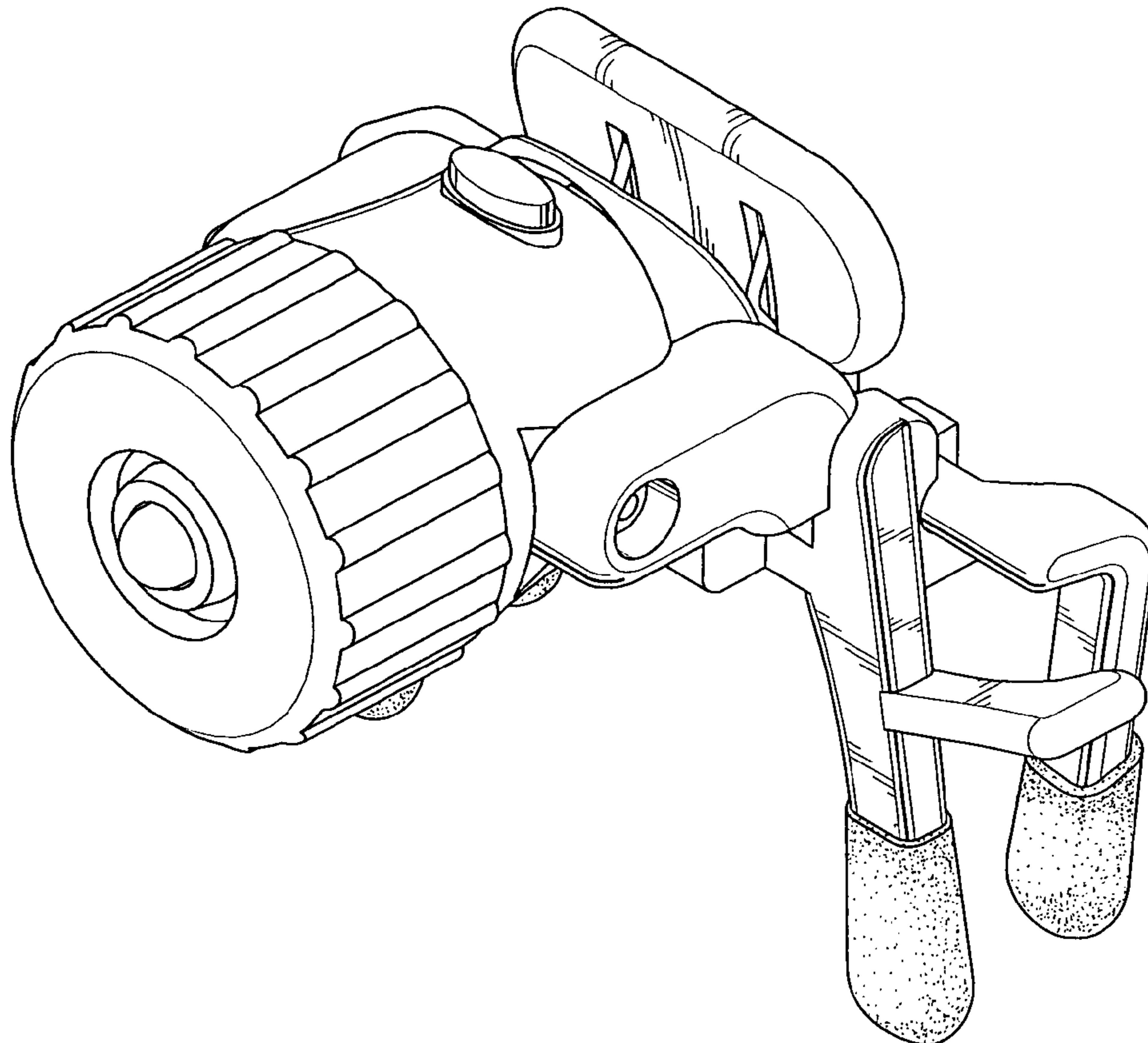
FIG. 4 is a left side elevational view thereof;

FIG. 5 is a right side elevational view thereof;

FIG. 6 is a top plan view thereof; and,

FIG. 7 is a bottom plan view thereof.

**1 Claim, 4 Drawing Sheets**



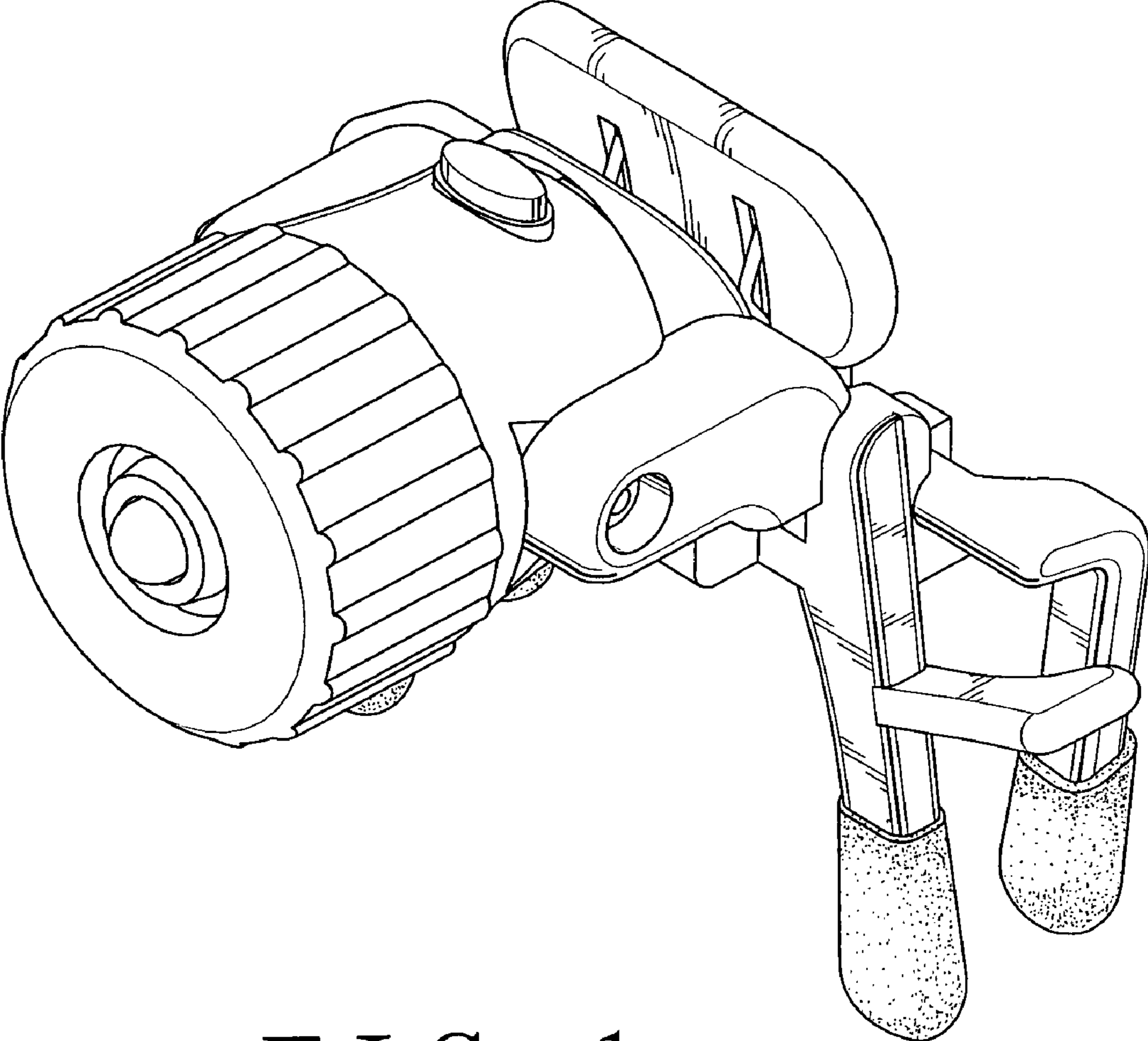


FIG. 1

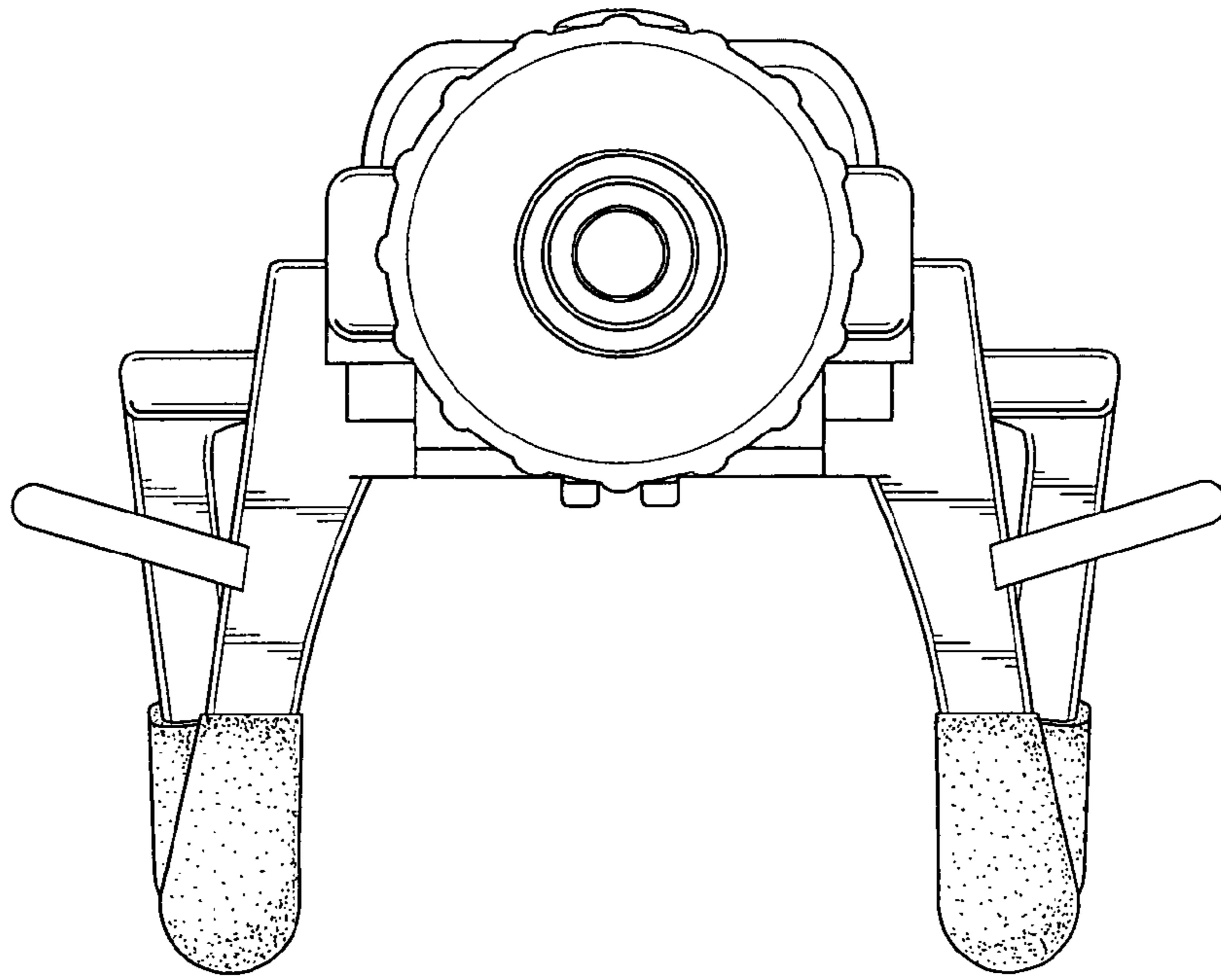


FIG. 2

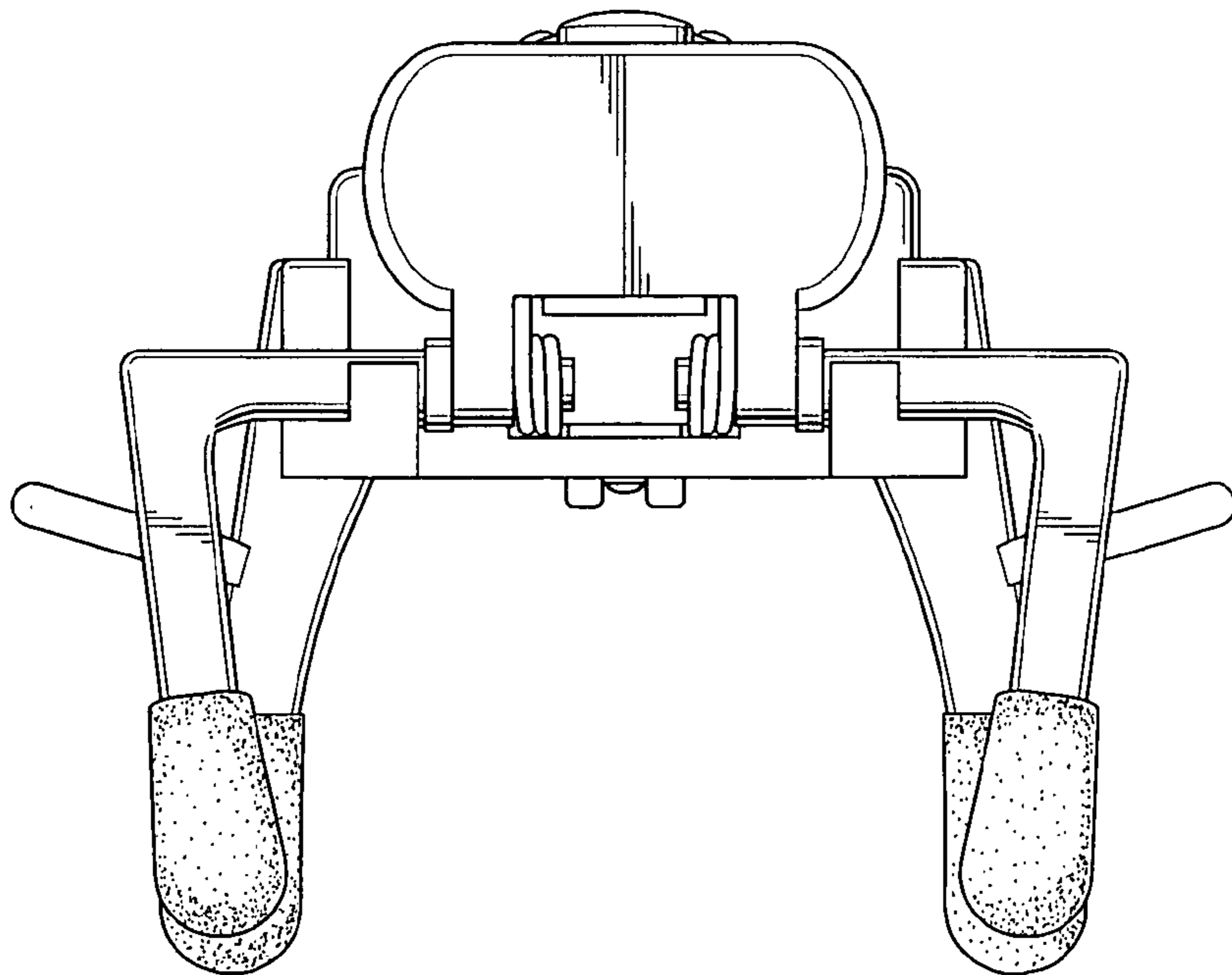


FIG. 3

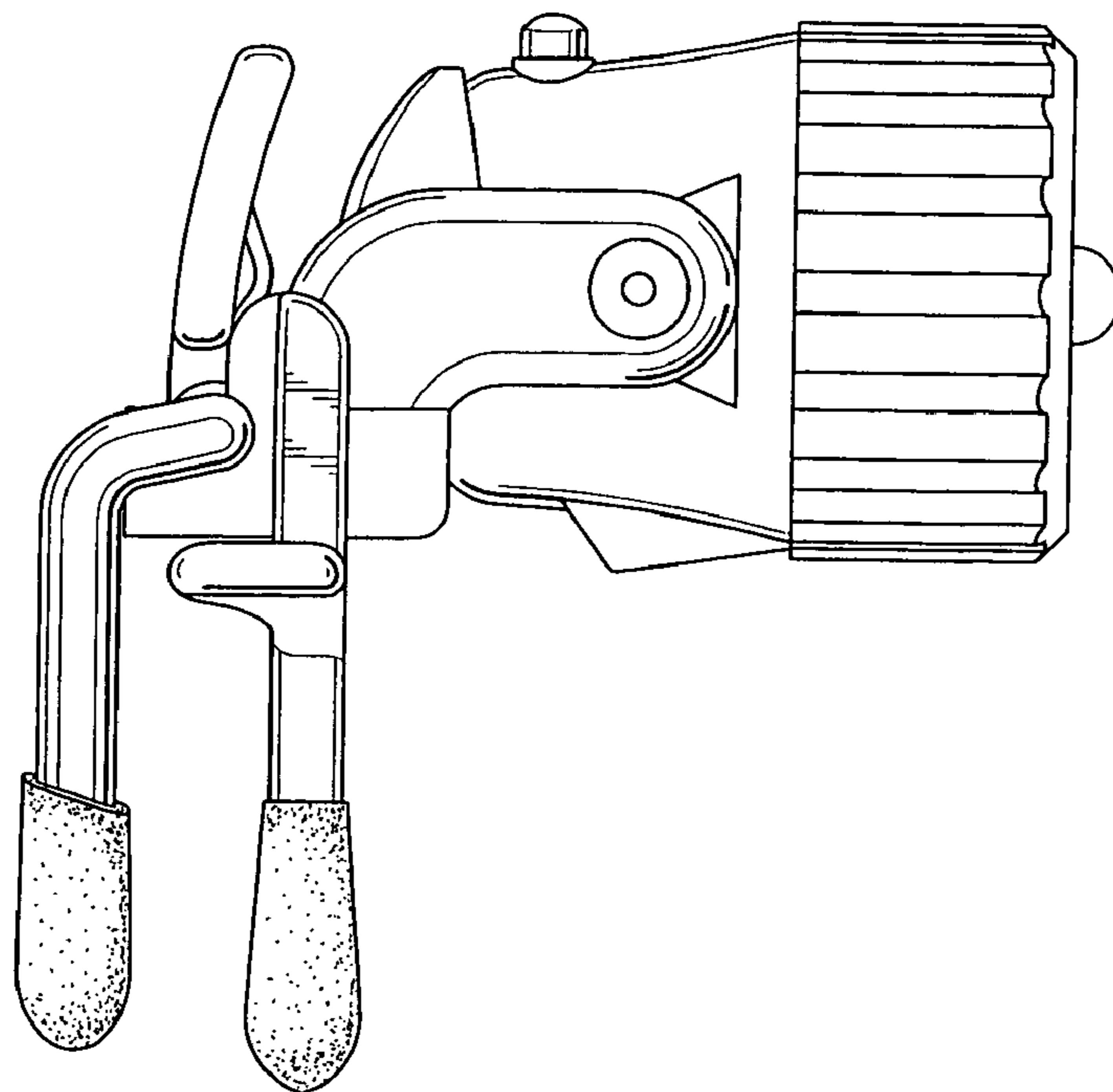


FIG. 4

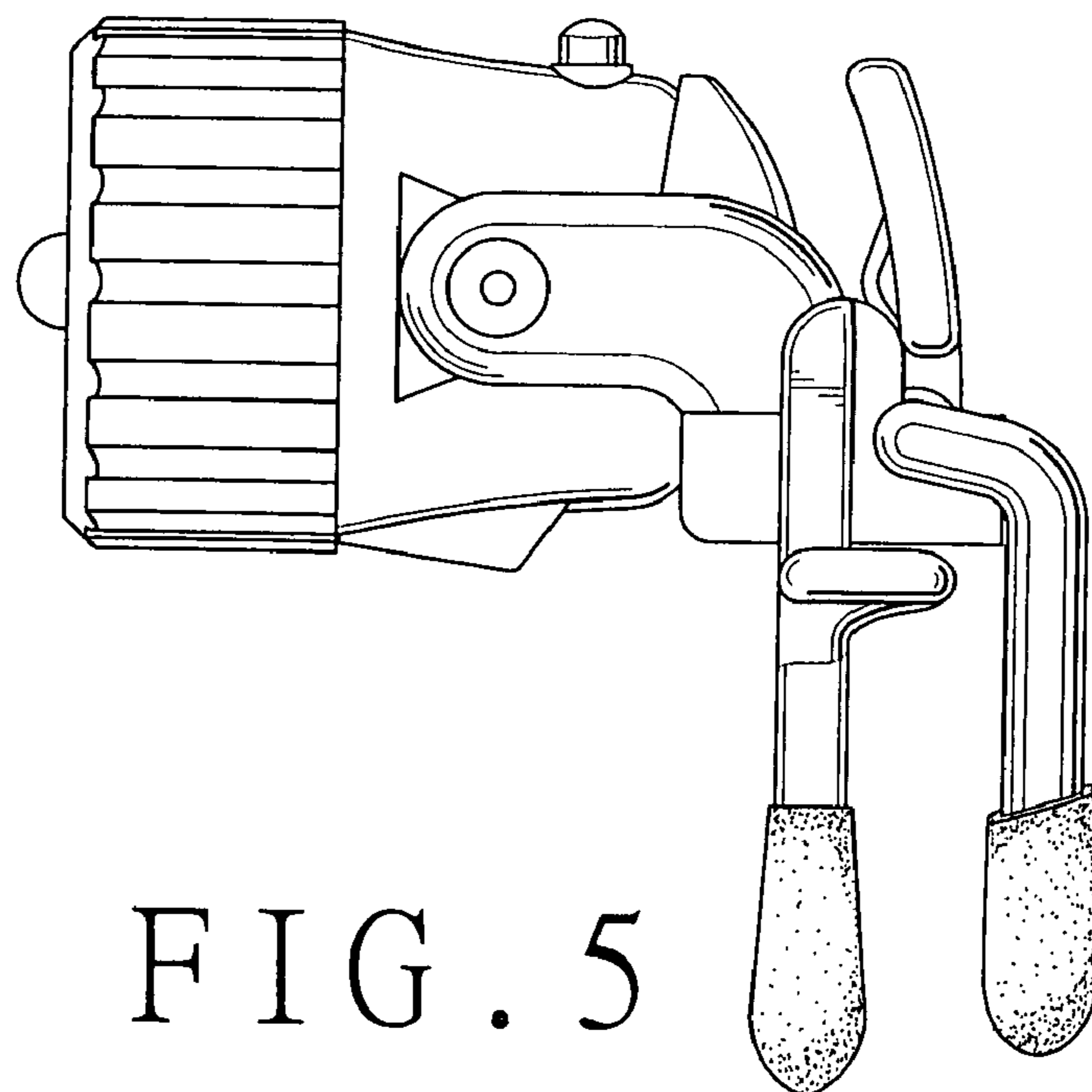


FIG. 5

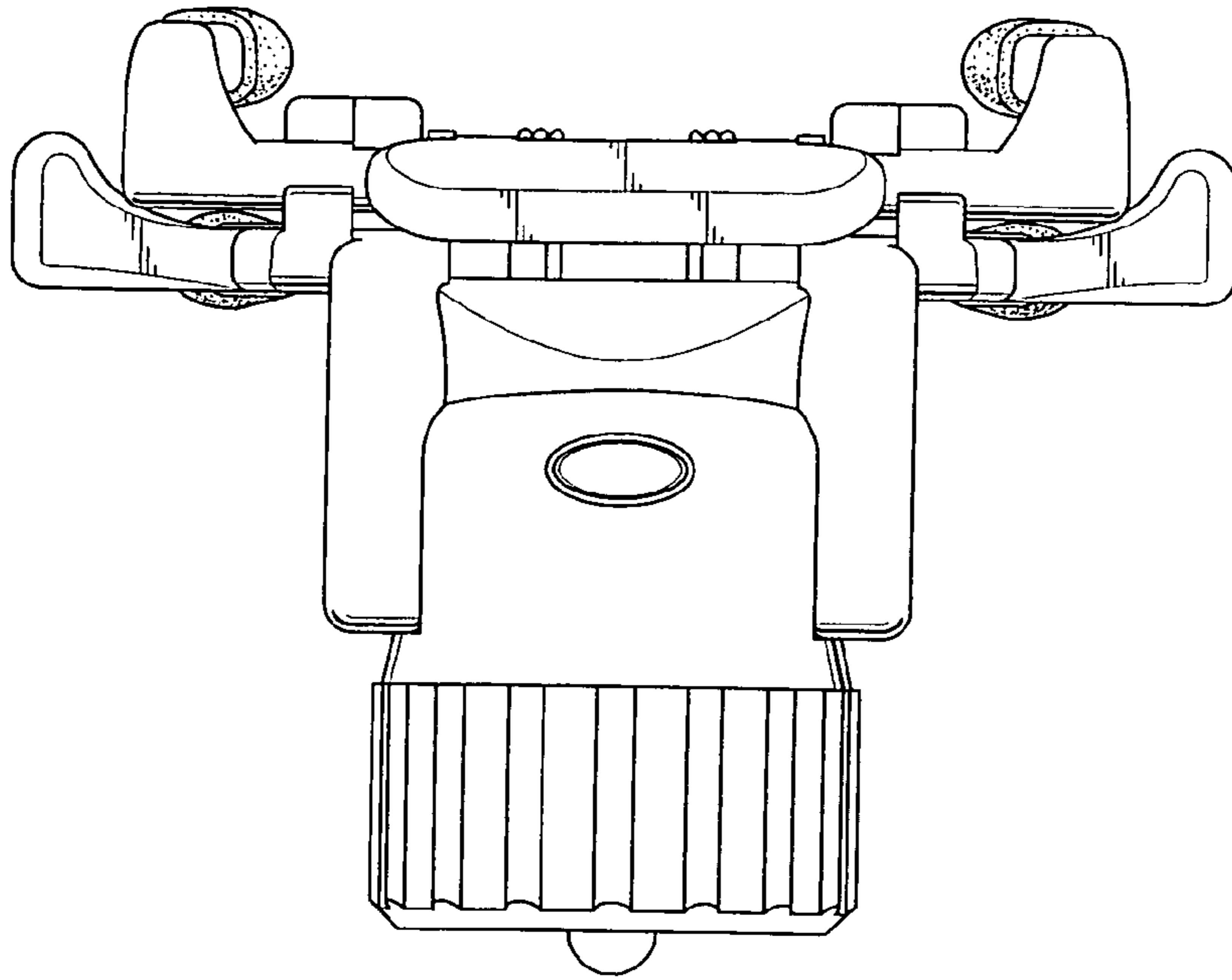


FIG. 6

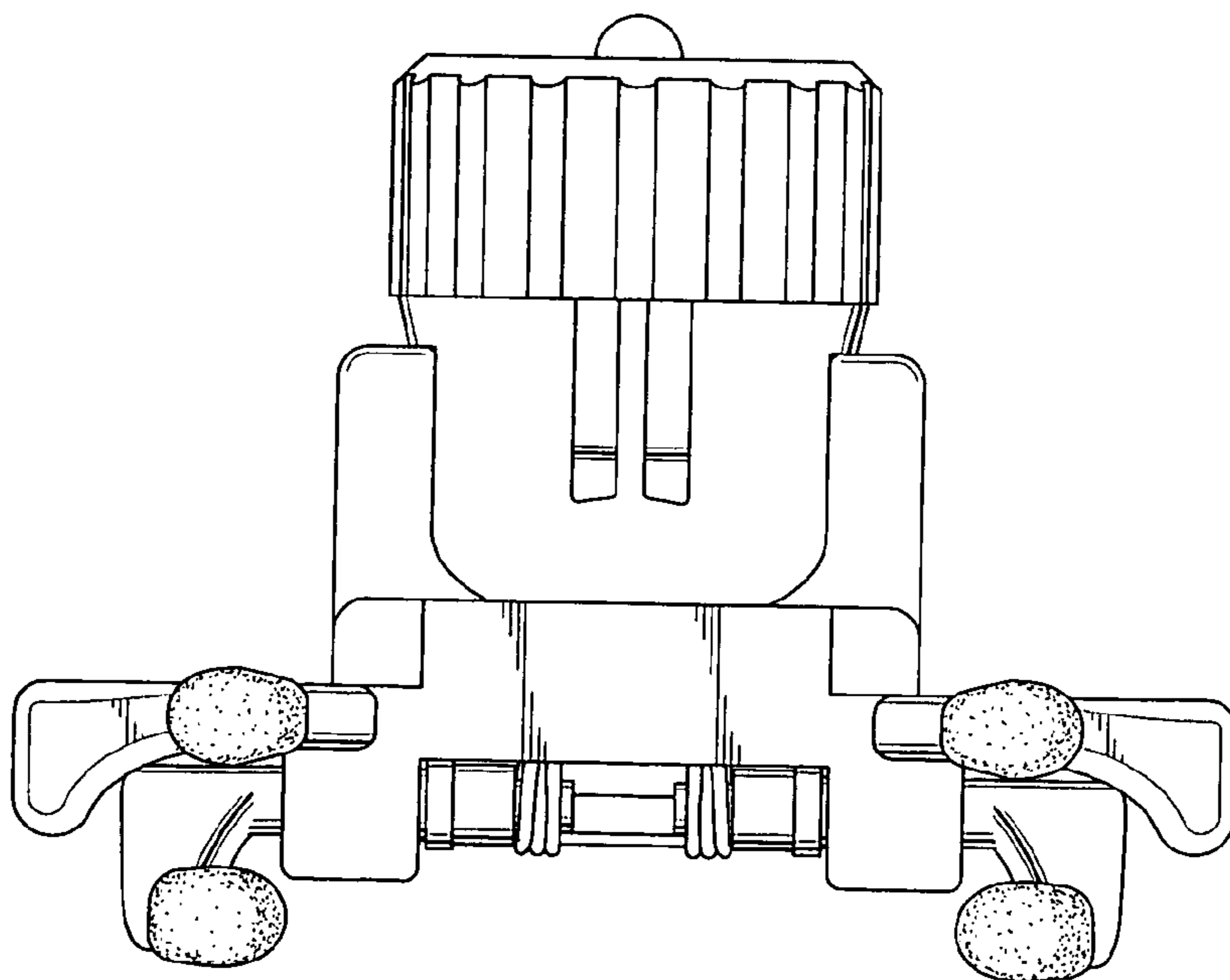


FIG. 7