



US00D582586S

(12) **United States Design Patent**
Ito et al.

(10) **Patent No.:** **US D582,586 S**
(45) **Date of Patent:** **** Dec. 9, 2008**

(54) **HEADLIGHT FOR A MOTOR SCOOTER**

D563,576 S * 3/2008 Hanaoka D26/28
D570,508 S * 6/2008 Kouchi D26/28

(75) Inventors: **Mamoru Ito**, Wako (JP); **Satoshi Kawawa**, Wako (JP); **Fujio Nakamura**, Wako (JP)

* cited by examiner

Primary Examiner—Marcus A. Jackson

(73) Assignee: **Honda Motor Co., Ltd.**, Tokyo (JP)

(74) *Attorney, Agent, or Firm*—Birch, Stewart, Kolasch & Birch, LLP

(**) Term: **14 Years**

(57) **CLAIM**

(21) Appl. No.: **29/300,051**

The ornamental design for, a headlight for a motor scooter, as shown and described.

(22) Filed: **Feb. 14, 2008**

(30) **Foreign Application Priority Data**

DESCRIPTION

Aug. 15, 2007 (JP) 2007-022253

FIG. 1 is a first perspective view of a headlight for a motor scooter, showing our new design;

(51) **LOC (8) Cl.** **26-06**

FIG. 2 is a front elevation view thereof;

(52) **U.S. Cl.** **D26/28**

FIG. 3 is a top plan view thereof;

(58) **Field of Classification Search** D26/28-36;
362/459-468, 475-478, 485-487

FIG. 4 is a bottom plan view thereof;

See application file for complete search history.

FIG. 5 is a right side elevation view thereof; and,

FIG. 6 is a left side elevation view thereof.

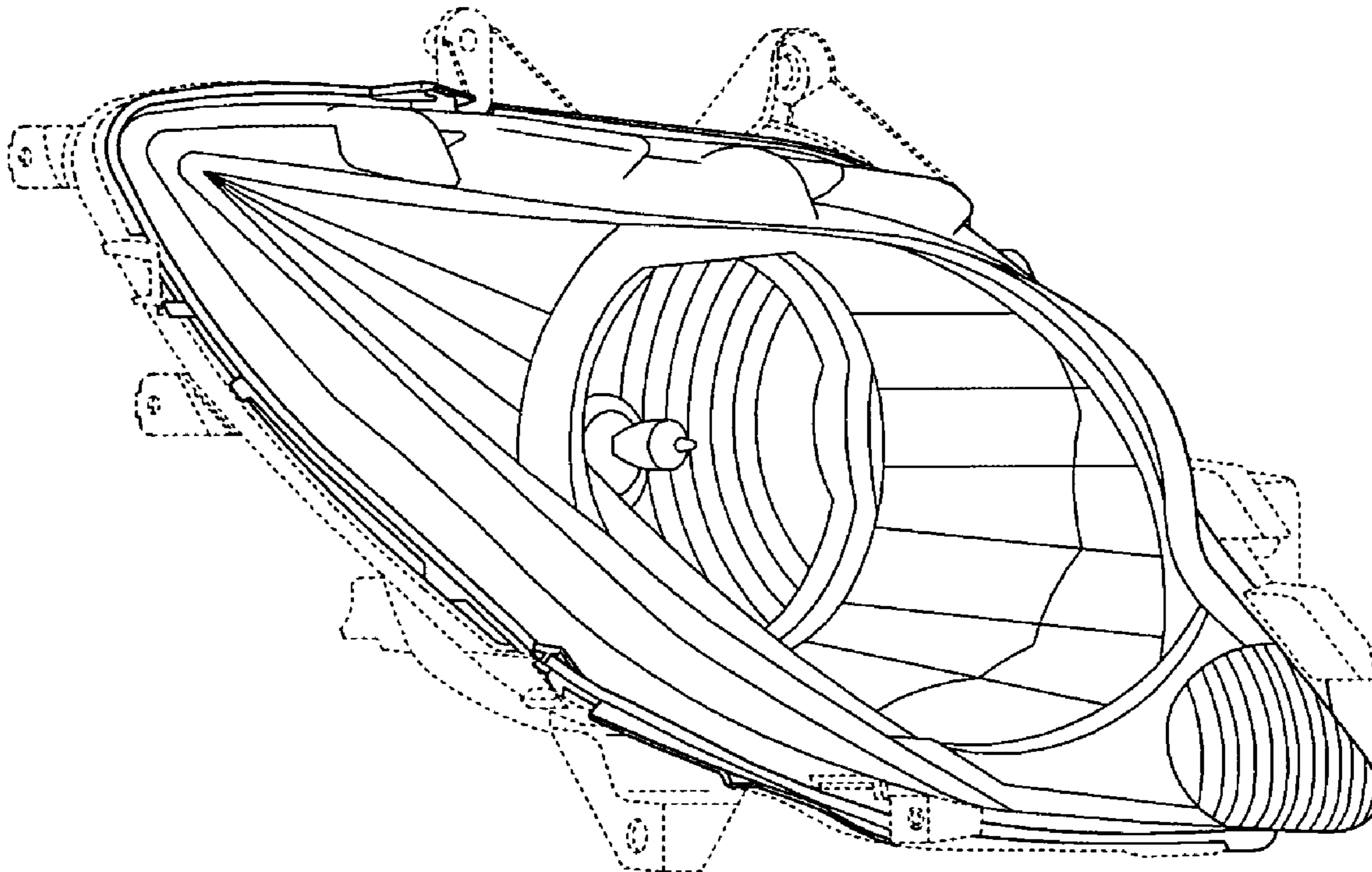
(56) **References Cited**

The broken lines are for illustrative purposes only and form no part of the claimed design.

U.S. PATENT DOCUMENTS

D563,000 S * 2/2008 Sanschagrín et al. D26/28

1 Claim, 4 Drawing Sheets



F I G. 1

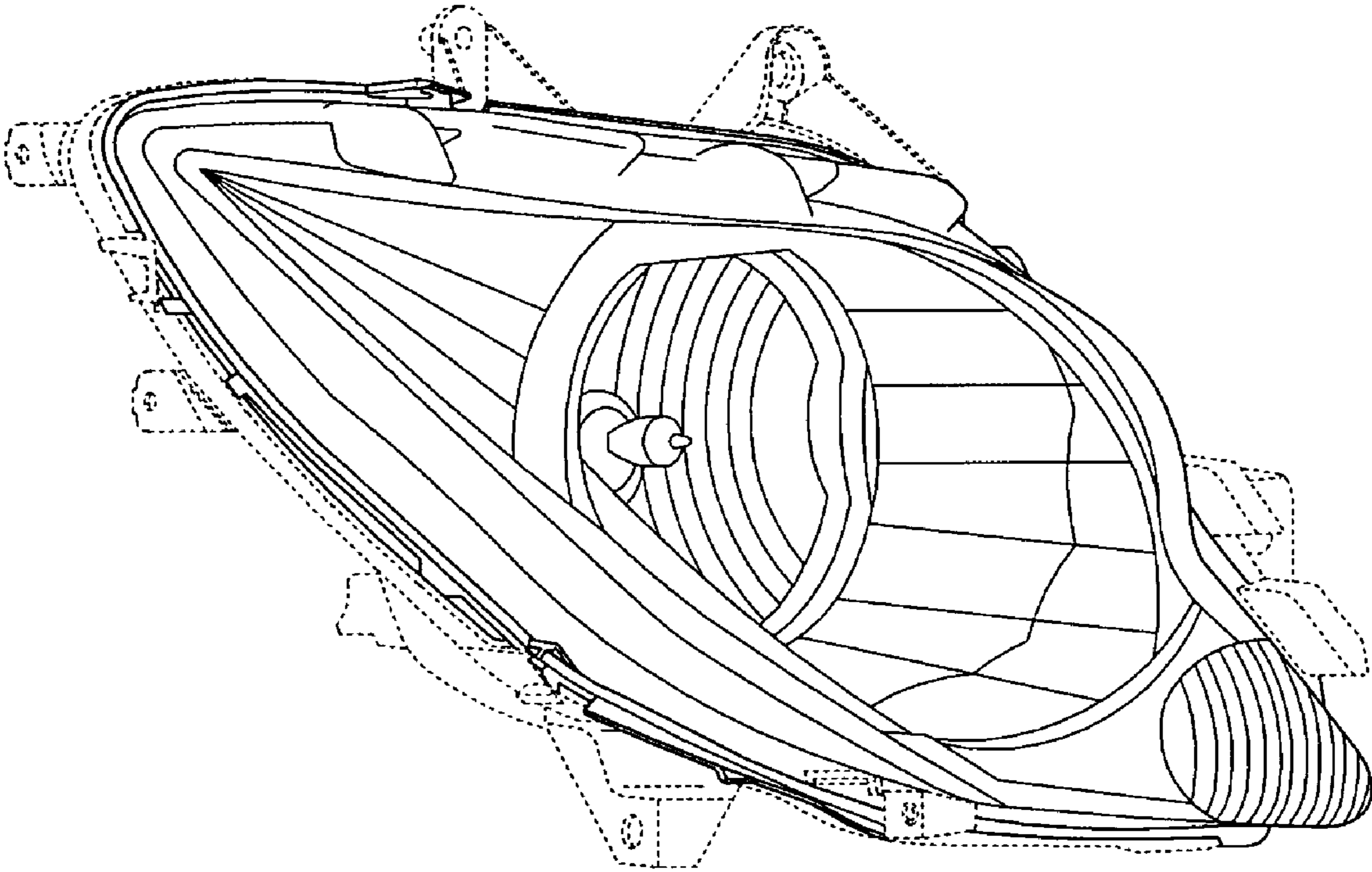
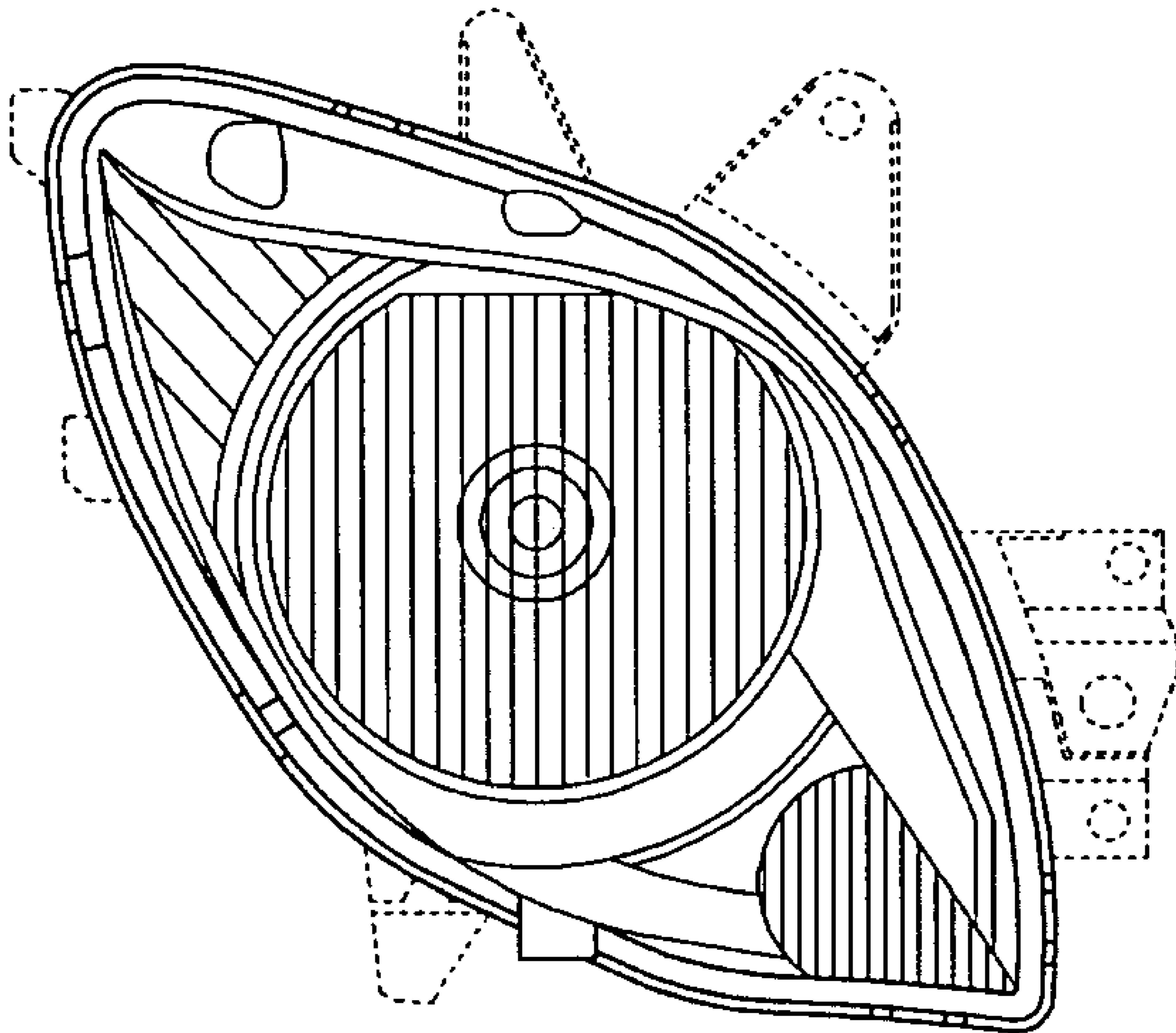
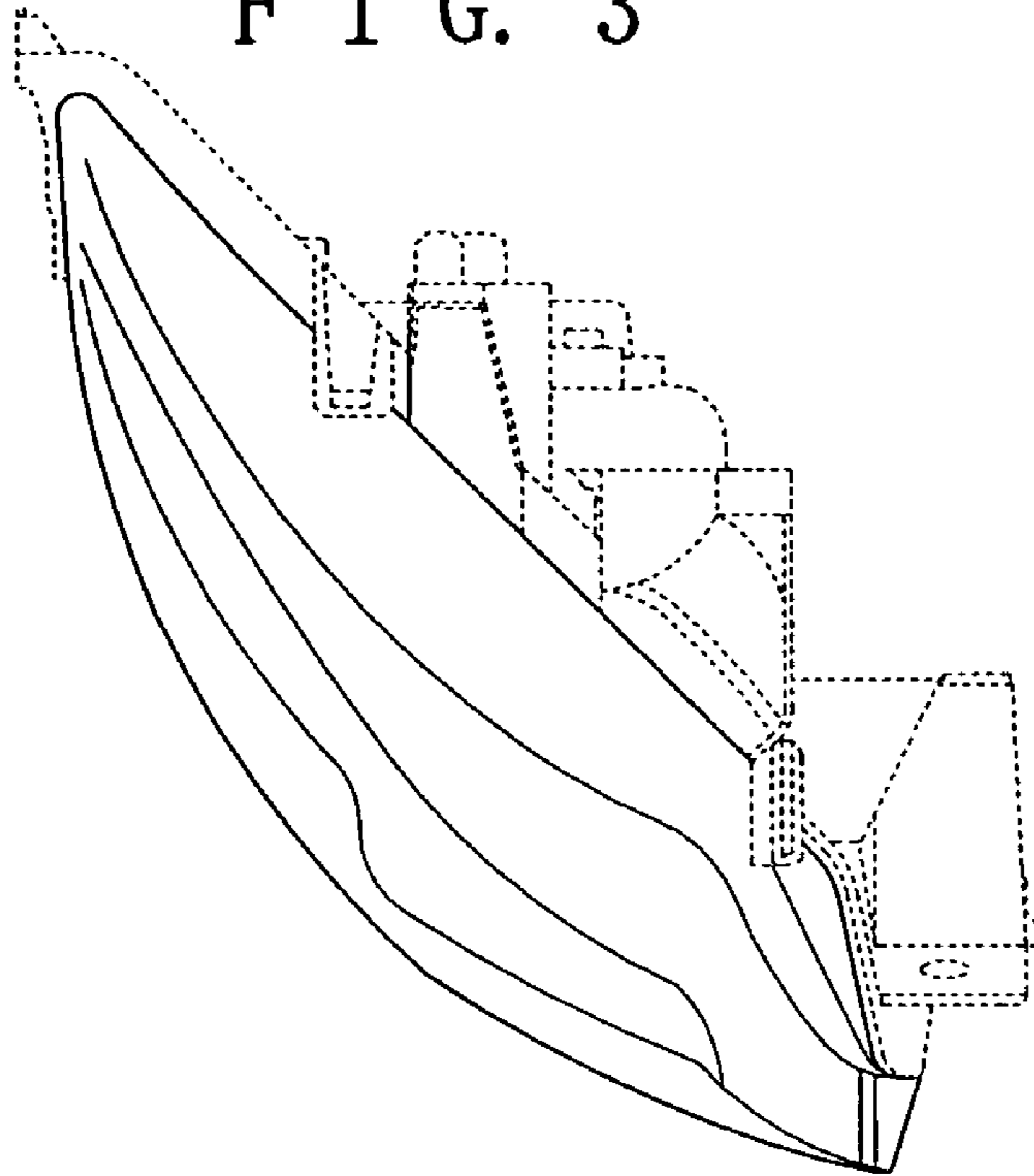


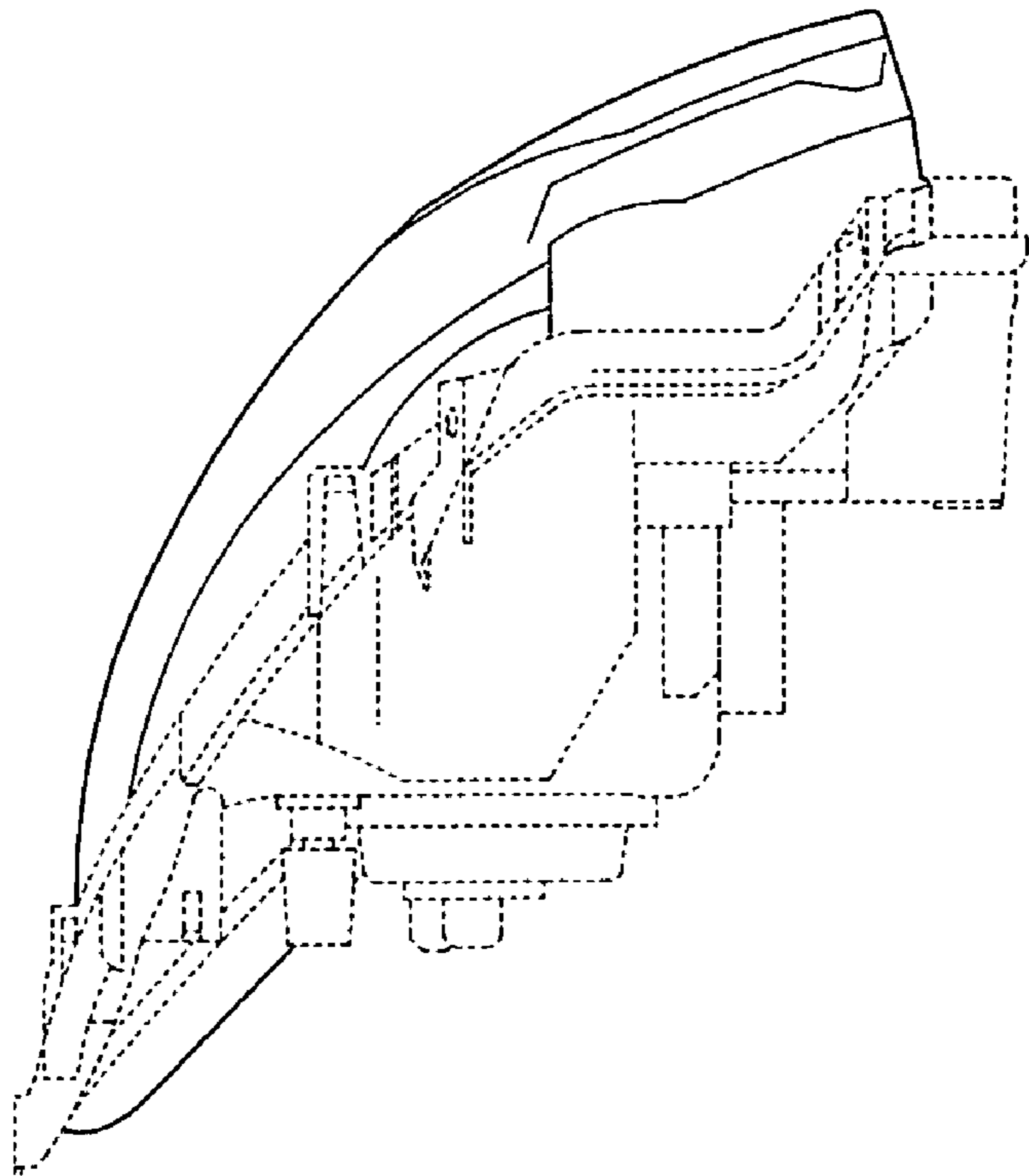
FIG. 2



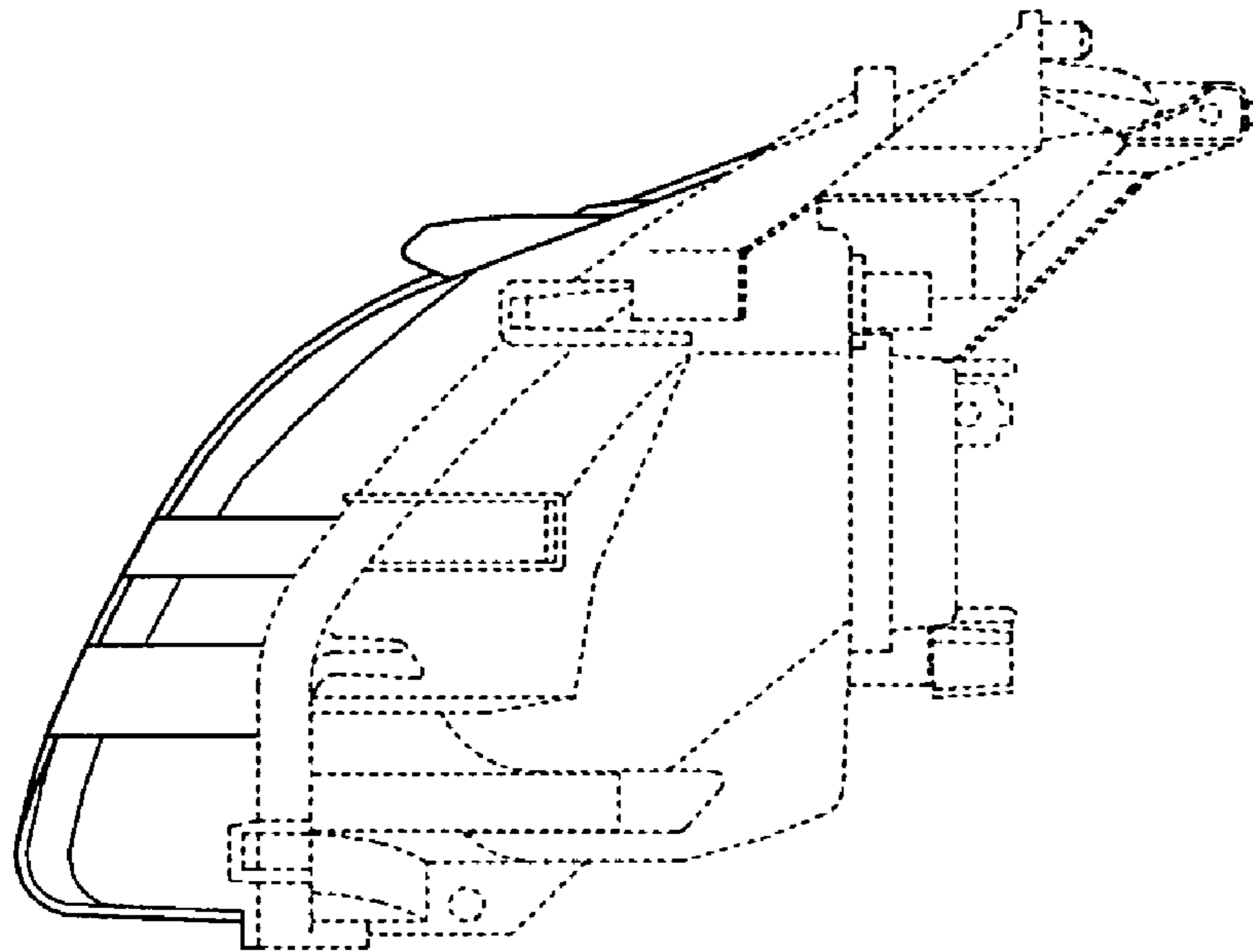
F I G. 3



F I G. 4



F I G. 5



F I G. 6

