



US00D582581S

(12) **United States Design Patent**
Wilkinson

(10) **Patent No.:** **US D582,581 S**
(45) **Date of Patent:** **** Dec. 9, 2008**

(54) **LIGHTING DEVICE**

(74) *Attorney, Agent, or Firm*—King & Spalding

(75) Inventor: **Jeremy Wilkinson**, Denver, CO (US)

(57) **CLAIM**

(73) Assignee: **Cooper Technologies Company**,
Houston, TX (US)

The ornamental design for a lighting device, as shown and described.

(**) Term: **14 Years**

(21) Appl. No.: **29/252,649**

DESCRIPTION

(22) Filed: **Jan. 25, 2006**

(51) **LOC (8) Cl.** **26-05**

(52) **U.S. Cl.** **D26/24**

(58) **Field of Classification Search** D26/24,
D26/37, 60, 61, 63, 64, 65, 66, 72, 74, 80,
D26/81, 83, 93, 105, 113, 87, 92, 104; 362/89,
362/147, 153, 257, 269, 282, 285
See application file for complete search history.

The present application is related to (1) U.S. Utility application Ser. No. 11/339,187, filed on Jan. 25, 2006, the disclosure which is incorporated herein by reference; (2) U.S. Utility application Ser. No. 11/339,426, filed on Jan. 25, 2006, the disclosure which is incorporated herein by reference; (3) U.S. Utility application Ser. No. 11/339,270, filed on Jan. 25, 2006, the disclosure which is incorporated herein by reference; (4) U.S. Utility application Ser. No. 11/339,271, filed on Jan. 25, 2006, the disclosure which is incorporated herein by reference; (5) U.S. Utility application Ser. No. 11/339,363, filed on Jan. 25, 2006, the disclosure which is incorporated herein by reference; (6) U.S. Utility application Ser. No. 11/339,028, filed on Jan. 25, 2006, the disclosure which is incorporated herein by reference; (7) U.S. Utility application Ser. No. 11/339,207, filed on Jan. 25, 2006, the disclosure which is incorporated herein by reference; (8) U.S. Utility application Ser. No. 11/339,164, filed on Jan. 25, 2006, the disclosure which is incorporated herein by reference; and (9) U.S. Design application Ser. No. 29,252,645, filed on Jan. 25, 2006, the disclosure which is incorporated herein by reference.

(56) **References Cited**

U.S. PATENT DOCUMENTS

1,913,517	A	6/1933	Smith et al.	
D130,258	S *	11/1941	Tucker	D16/225
3,167,258	A	1/1965	Wilde	
3,363,091	A	1/1968	Cooper	
D254,094	S *	1/1980	Jaksich	D26/63
4,317,625	A	3/1982	Van Allen	
4,379,322	A	4/1983	Kelly	
4,412,276	A	10/1983	Blinow	
D308,260	S *	5/1990	Shemitz	D26/85
D312,886	S *	12/1990	Brown	D26/63
D316,306	S *	4/1991	Shemitz	D26/85
5,676,458	A	10/1997	Shemitz et al.	
5,971,571	A *	10/1999	Rose	362/346
D439,355	S *	3/2001	Ford	D26/63
6,422,709	B1	7/2002	Panagiotou	
6,461,026	B1	10/2002	Wang	

(Continued)

OTHER PUBLICATIONS

U.S. Appl. No. 29/252,645, Wilkinson.

Primary Examiner—Cathron Brooks

Assistant Examiner—Angela J Lee

FIG. 1 is a side view of the lighting device showing my new design;

FIG. 2 is a front view thereof;

FIG. 3 is a side view thereof;

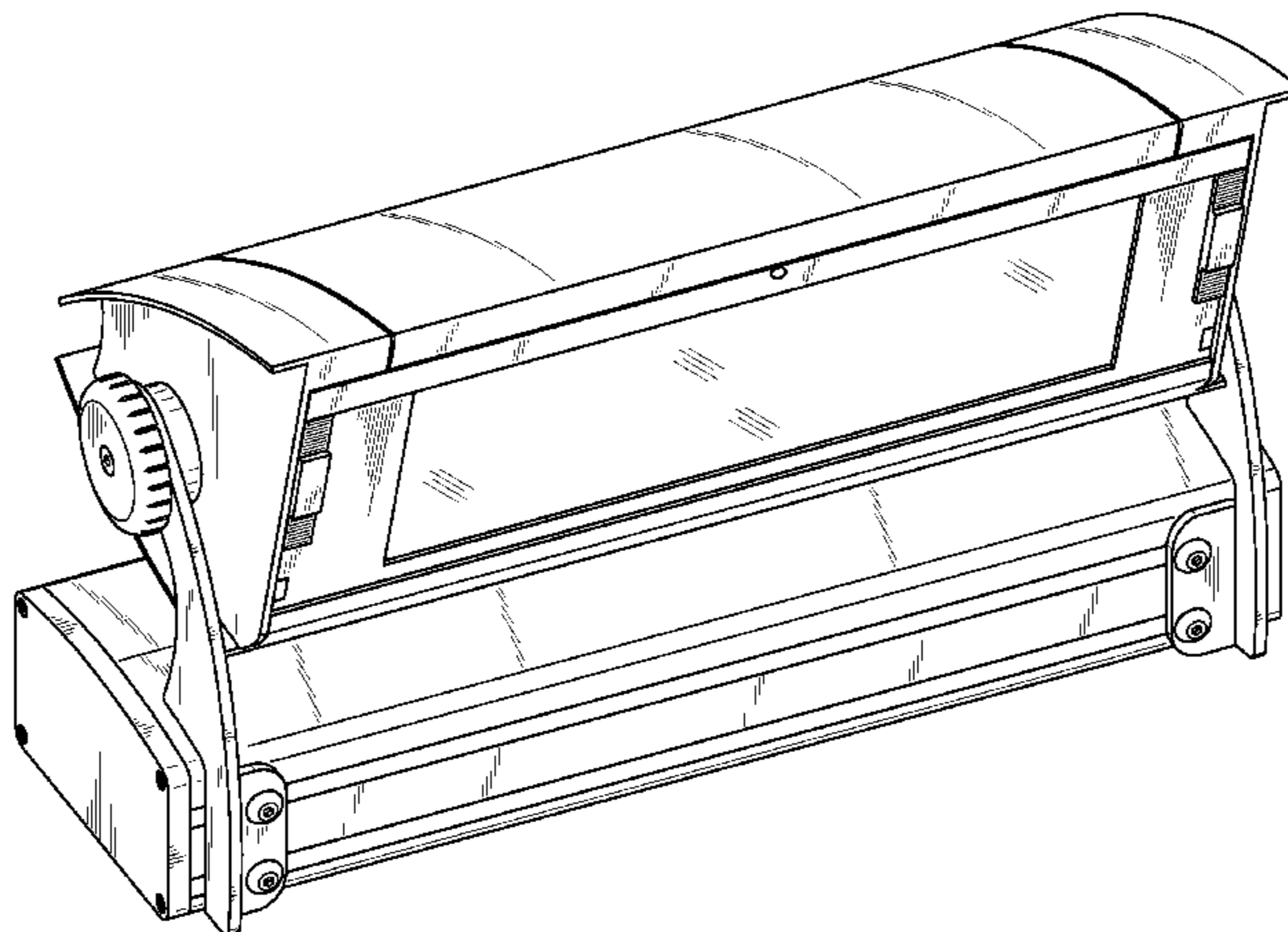
FIG. 4 is a rear view thereof;

FIG. 5 is a top view thereof;

FIG. 6 is a bottom view thereof; and,

FIG. 7 is a perspective view thereof.

1 Claim, 7 Drawing Sheets



US D582,581 S

Page 2

U.S. PATENT DOCUMENTS

D479,015 S *	8/2003	Tang	D26/63	2007/0171648 A1	7/2007	Tickner et al.	
D482,487 S *	11/2003	Russello et al.	D26/87	2007/0171652 A1	7/2007	Gaines et al.	
6,773,135 B1	8/2004	Packer		2007/0171653 A1*	7/2007	Bingaman	362/346
D545,471 S *	6/2007	Guercio	D26/63	2007/0171657 A1	7/2007	Tickner et al.	
D549,380 S *	8/2007	Guercio	D26/63	2007/0171658 A1	7/2007	Tickner et al.	
D550,392 S *	9/2007	Guercio	D26/92	2007/0171659 A1	7/2007	Tickner et al.	
2004/0085770 A1	5/2004	Tyler et al.		2007/0171660 A1	7/2007	Wilkinson et al.	

* cited by examiner

FIG. 1

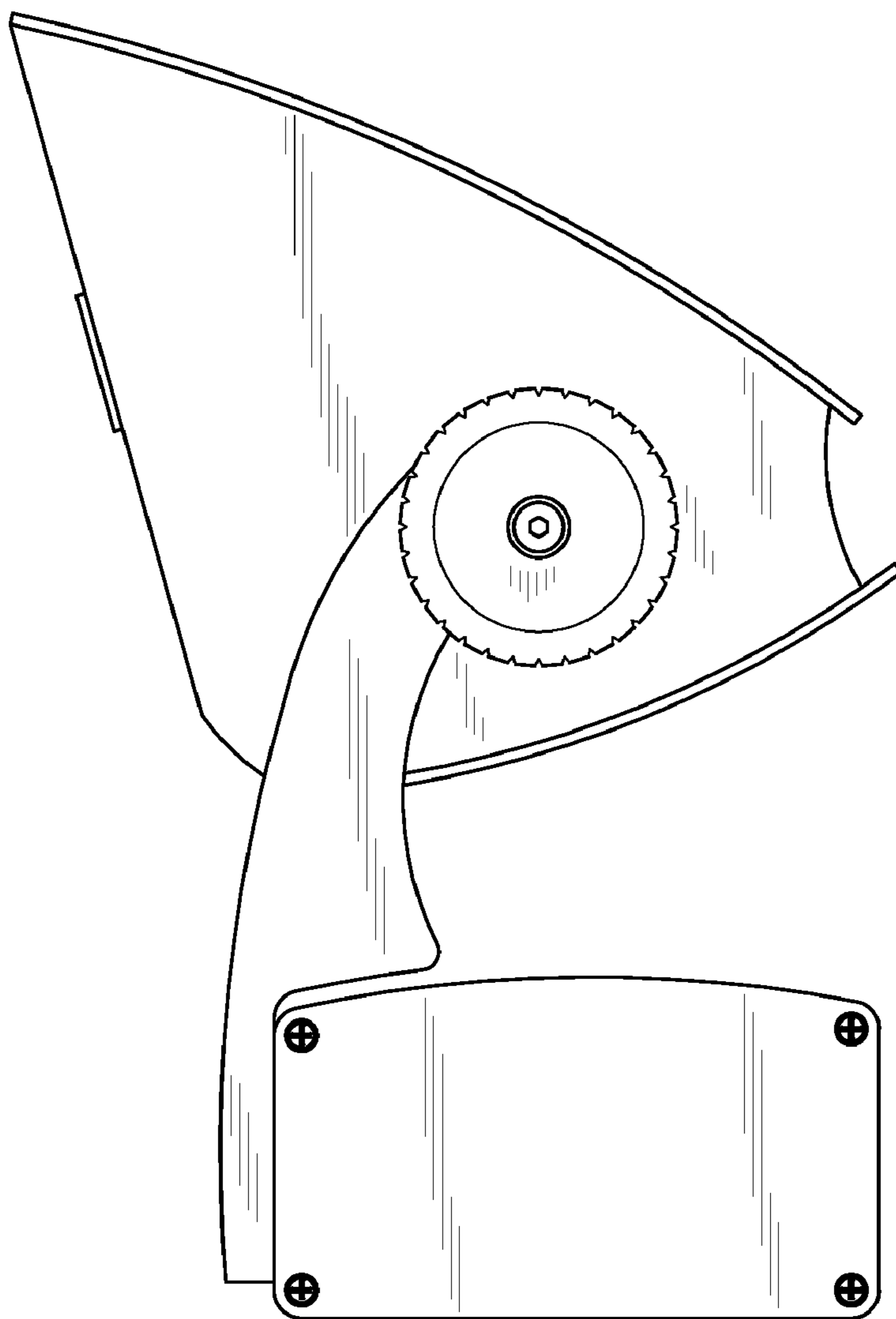


FIG. 2

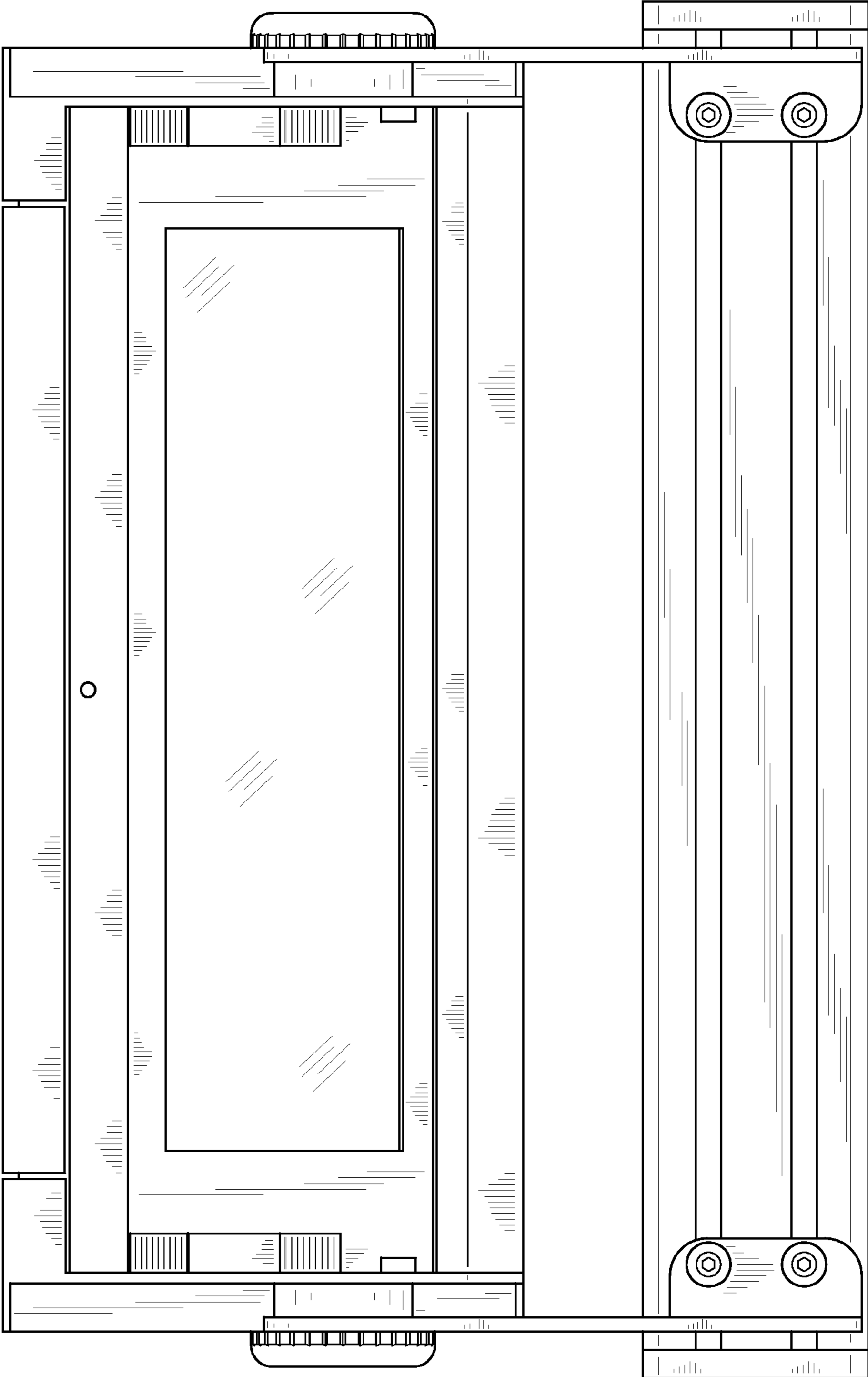


FIG. 3

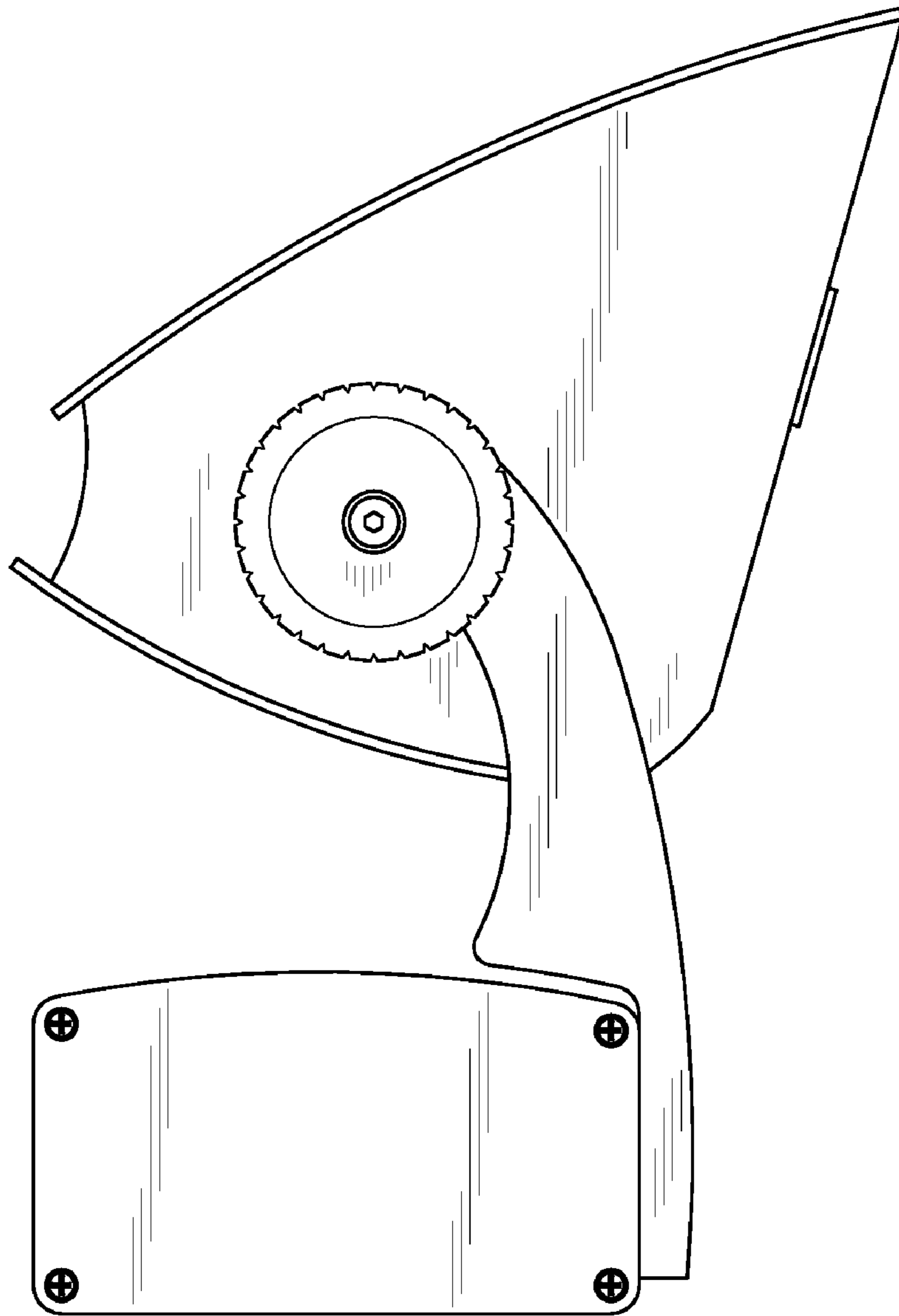


FIG. 4

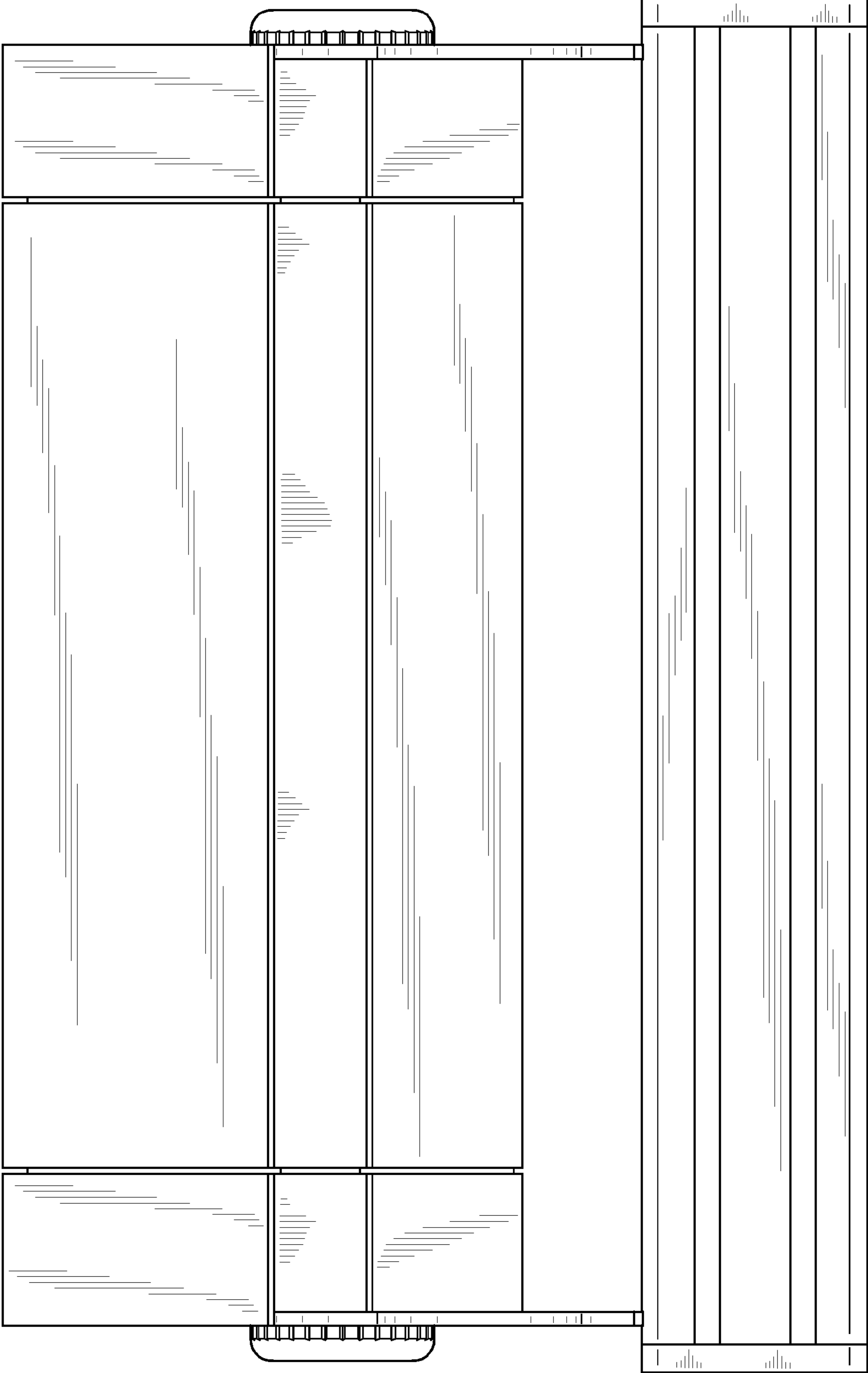


FIG. 5

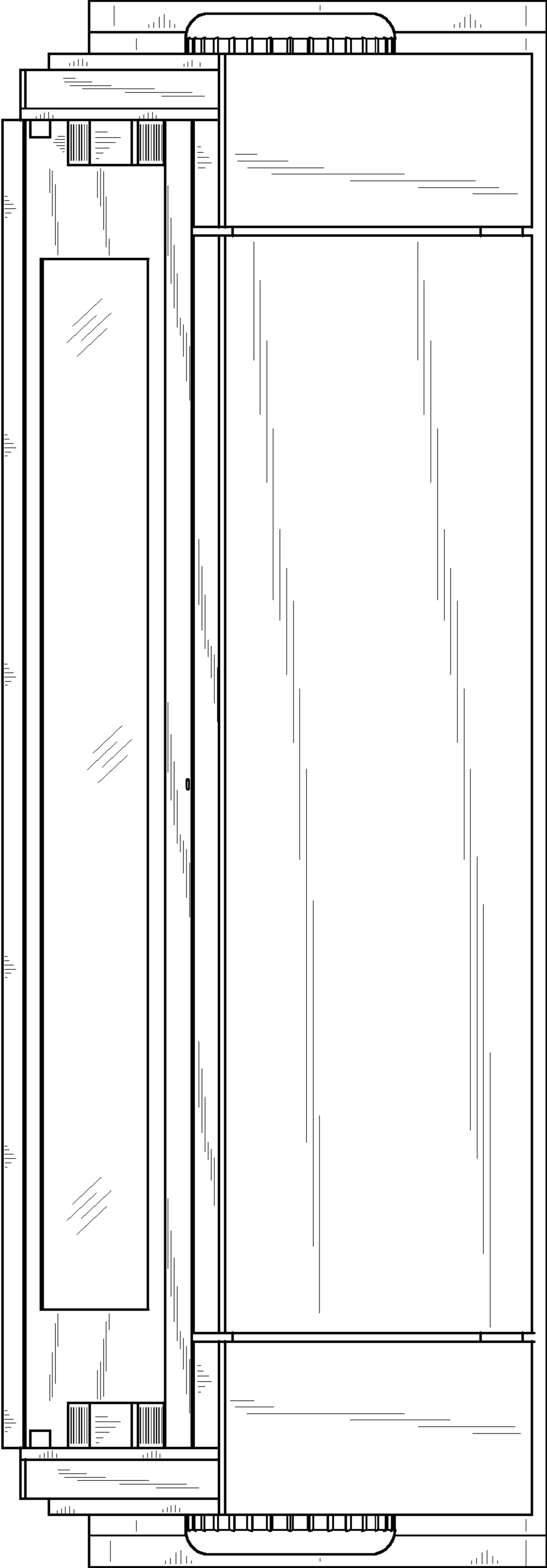


FIG. 6

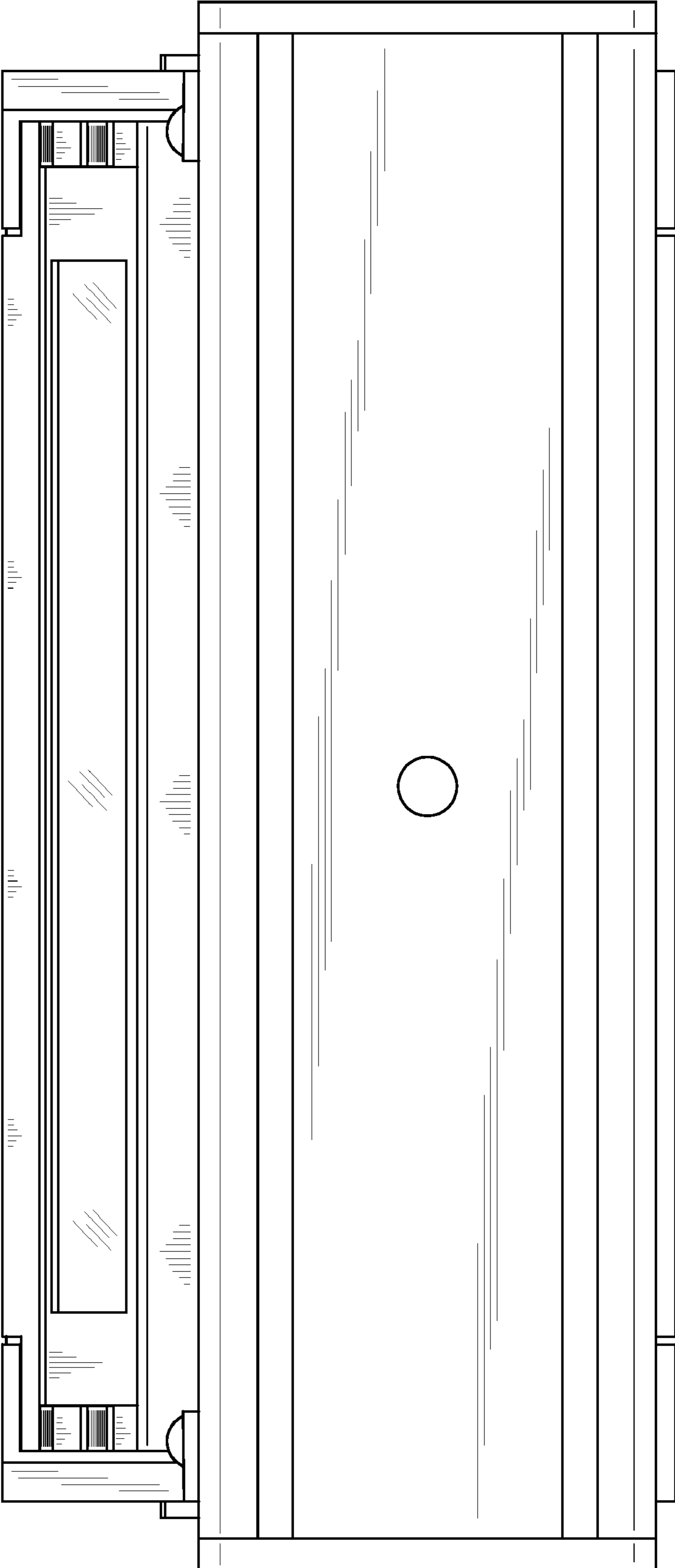


FIG. 7

