



US00D582578S

(12) **United States Design Patent**
Tsai et al.

(10) **Patent No.:** **US D582,578 S**
(45) **Date of Patent:** **** Dec. 9, 2008**

(54) **LIGHT EMITTING DIODE LIGHT BULB**

D549,854 S * 8/2007 Takahashi D26/2
D566,300 S * 4/2008 Lo D26/2

(75) Inventors: **Cheng-Hung Tsai**, Hsinchu (TW);
Hsin-Ming Li, Taitung (TW); **Chia-Hui Kao**,
Taipei County (TW); **Hong-Wen Yu**, Taipei County (TW)

* cited by examiner

Primary Examiner—Marcus A. Jackson
(74) *Attorney, Agent, or Firm*—Rosenberg, Klein & Lee

(73) Assignee: **Edison Opto Corporation**, Taipei Hsien (TW)

(57) **CLAIM**

The ornamental design for a light emitting diode light bulb, as shown and described.

(**) Term: **14 Years**

(21) Appl. No.: **29/318,202**

DESCRIPTION

(22) Filed: **May 15, 2008**

FIG. 1 is a perspective view of a light emitting diode light bulb showing our new design;

(51) **LOC (8) Cl.** **26-04**

FIG. 2 is a front elevational view thereof;

(52) **U.S. Cl.** **D26/2**

FIG. 3 is a rear elevational view thereof;

(58) **Field of Classification Search** D26/1-4;
313/313, 315, 317, 318, 493; 315/52, 53,
315/56, 57, 58

FIG. 4 is a left side elevational view thereof;

FIG. 5 is a right side elevational view thereof;

See application file for complete search history.

FIG. 6 is a bottom side elevational view thereof; and,

FIG. 7 is a top side elevational view thereof.

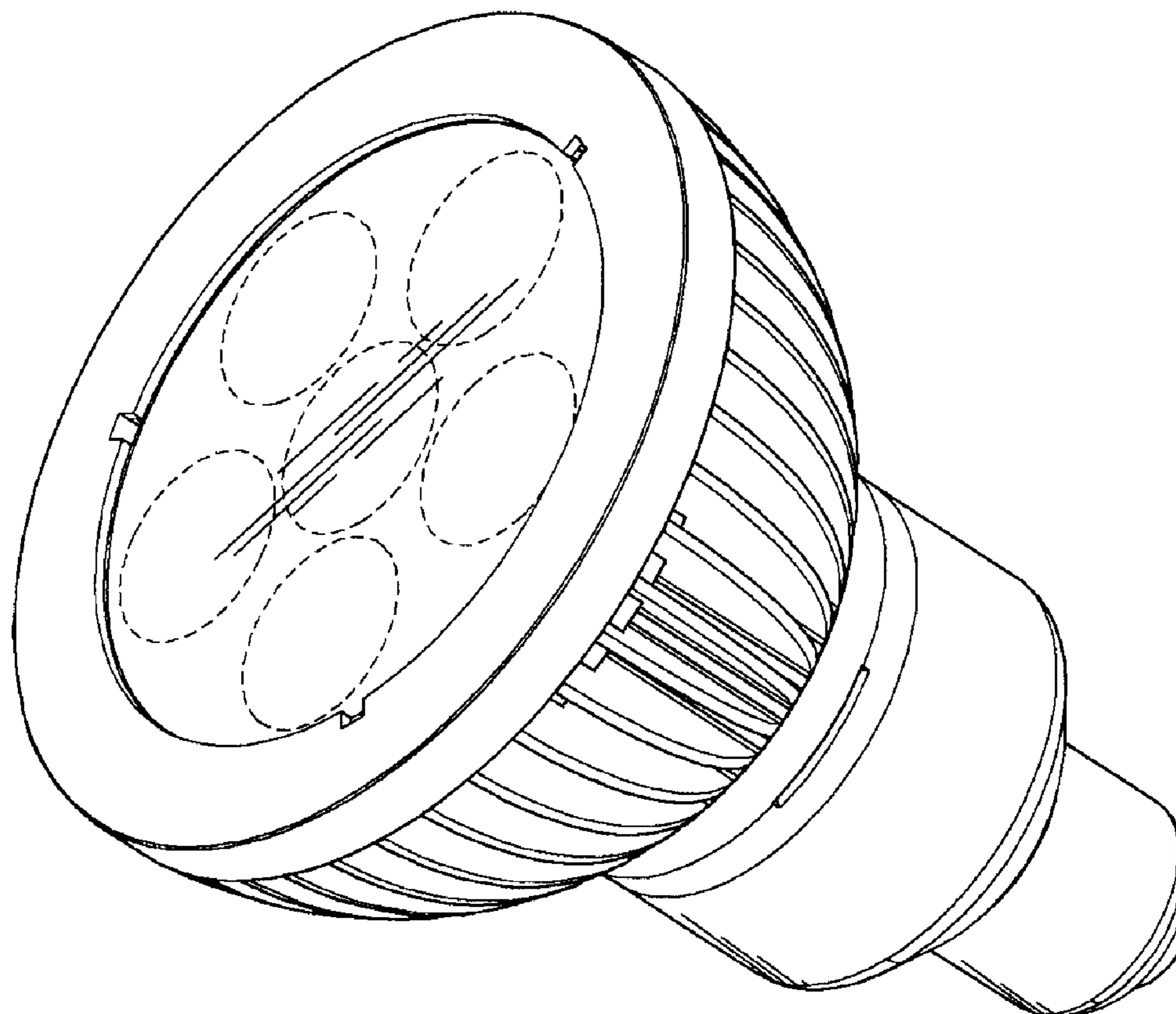
(56) **References Cited**

The broken lines in the Figures are for illustrative purposes only and form no part of the claimed design.

U.S. PATENT DOCUMENTS

D542,943 S * 5/2007 Wang D26/2
D546,980 S * 7/2007 Lo et al. D26/2

1 Claim, 7 Drawing Sheets



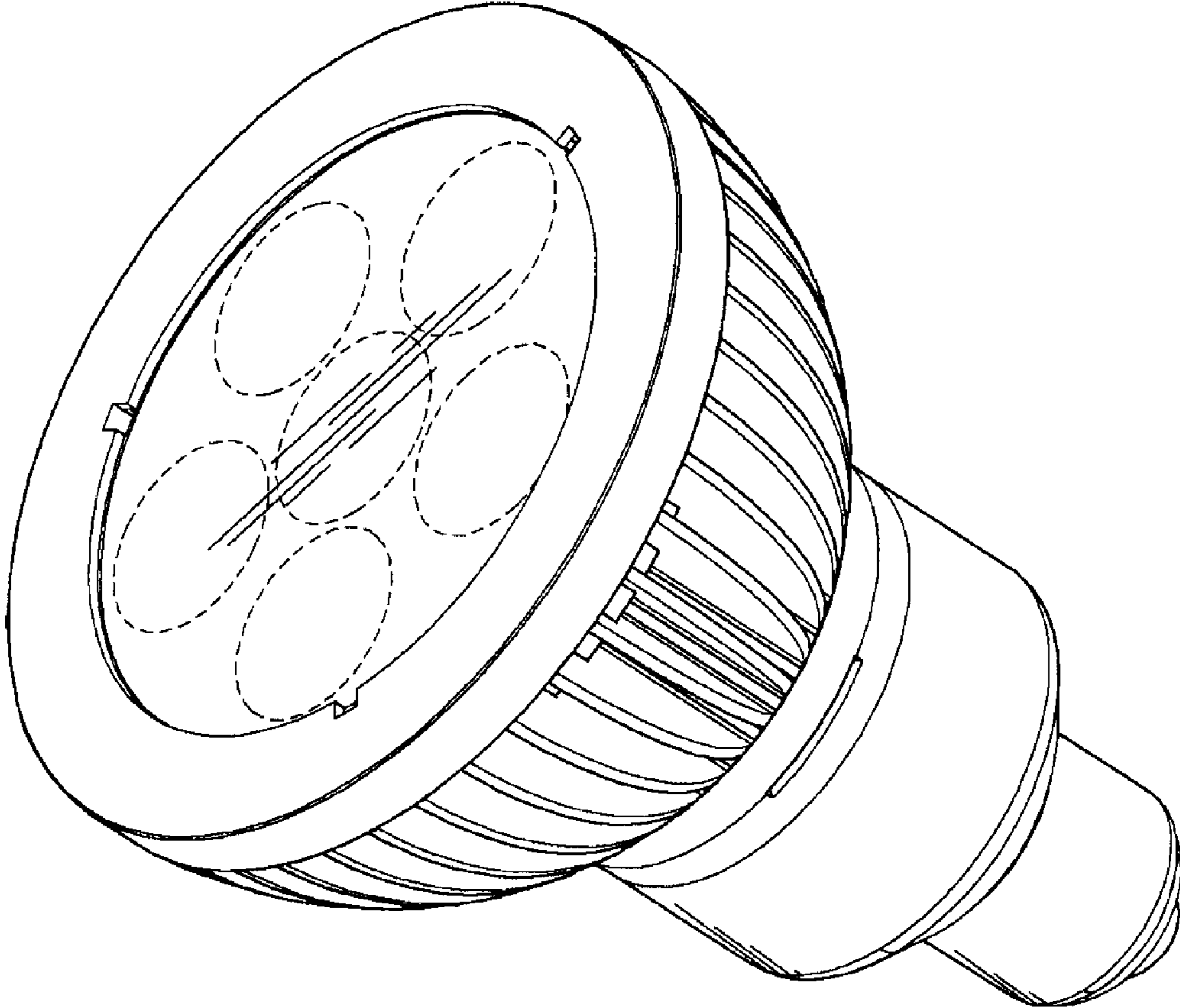


FIG. 1

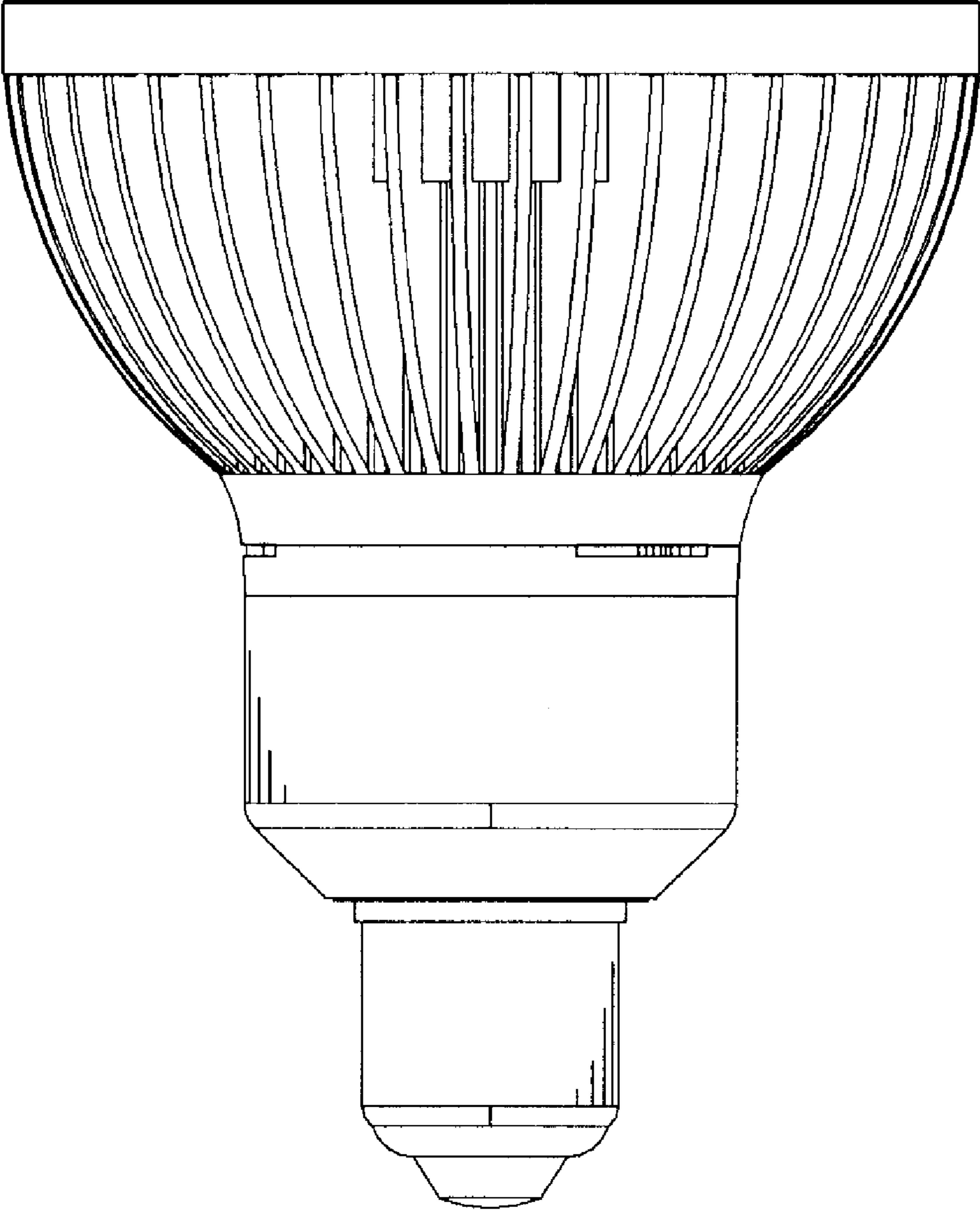


FIG.2

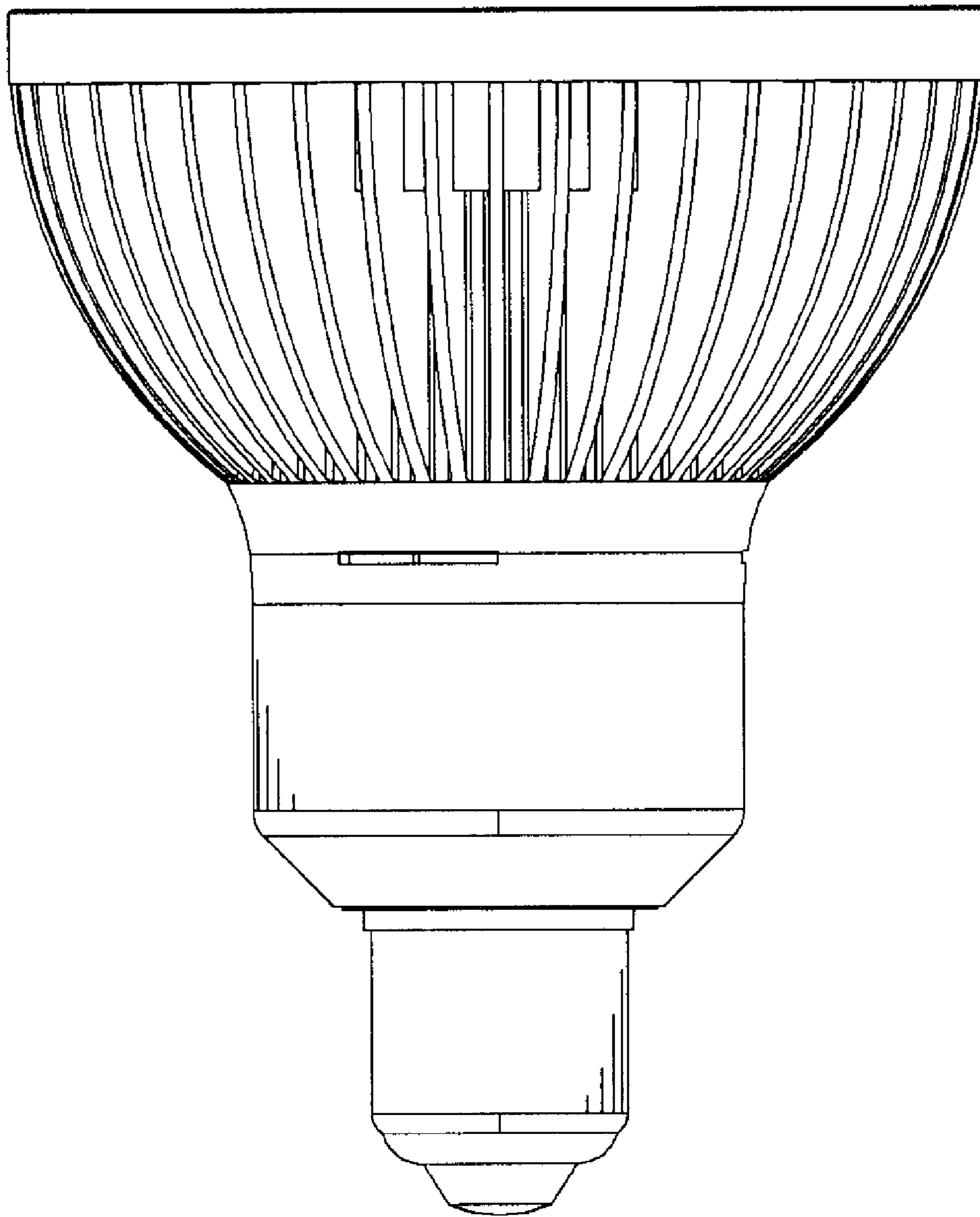


FIG.3

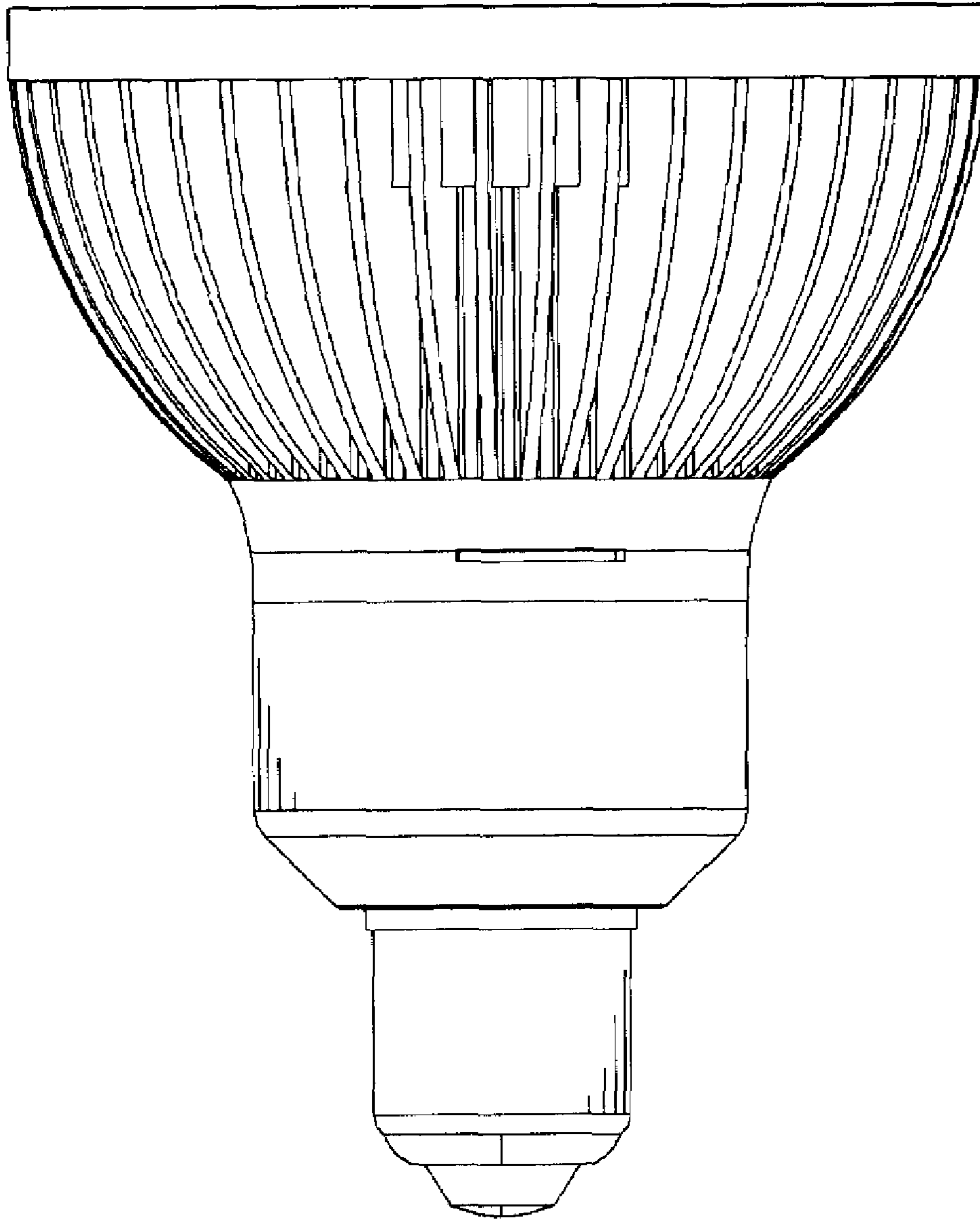


FIG. 4

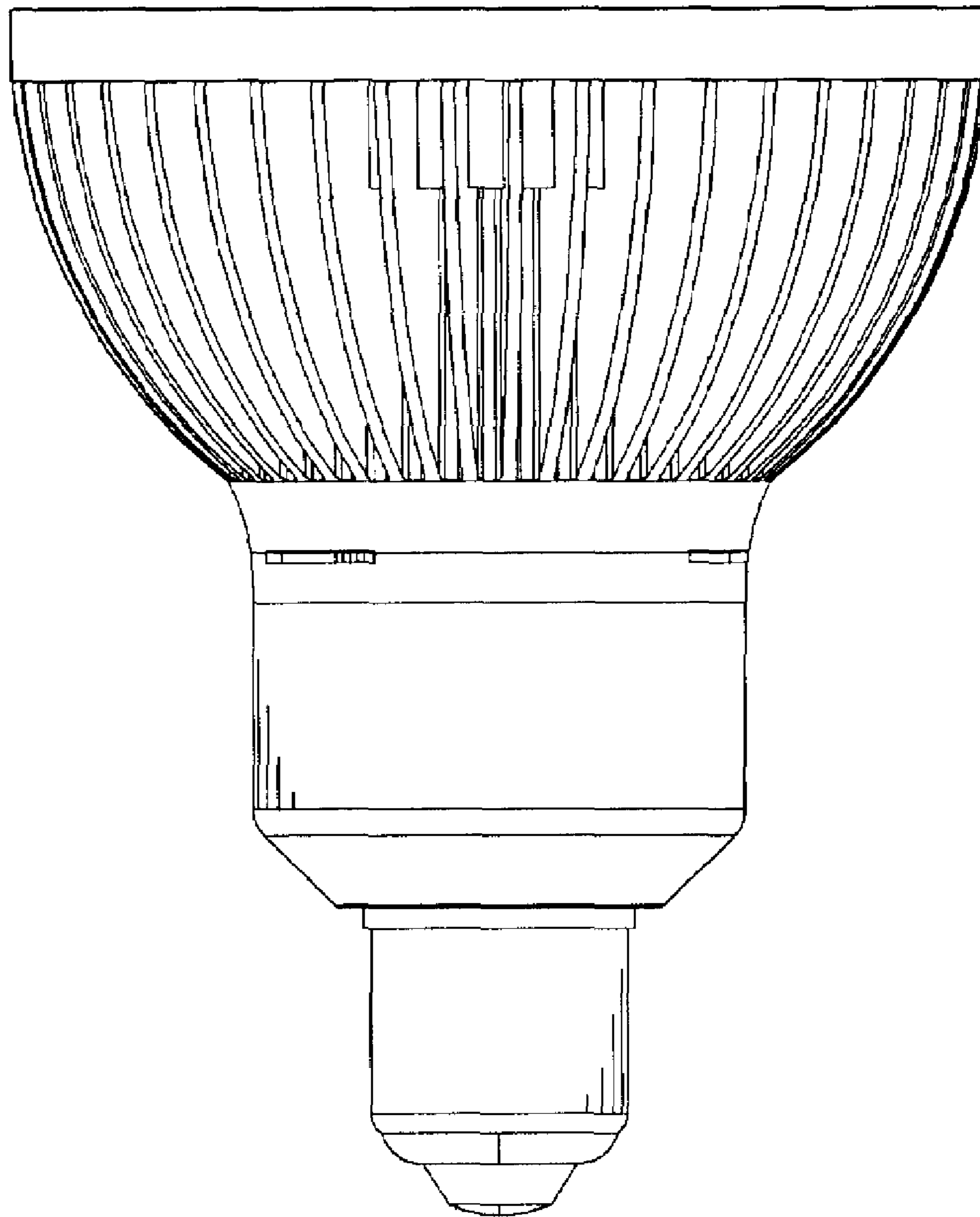


FIG.5

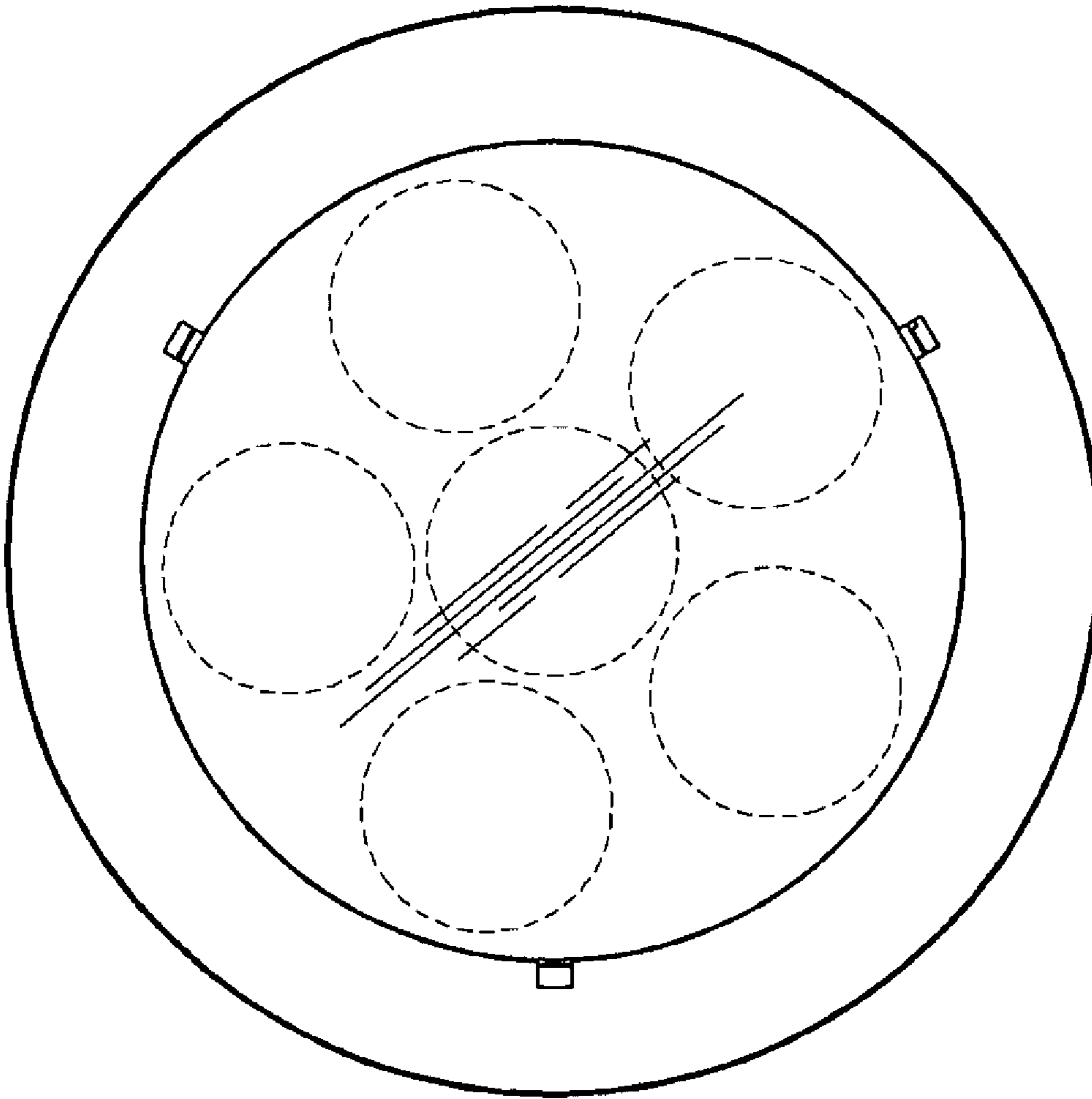


FIG.6

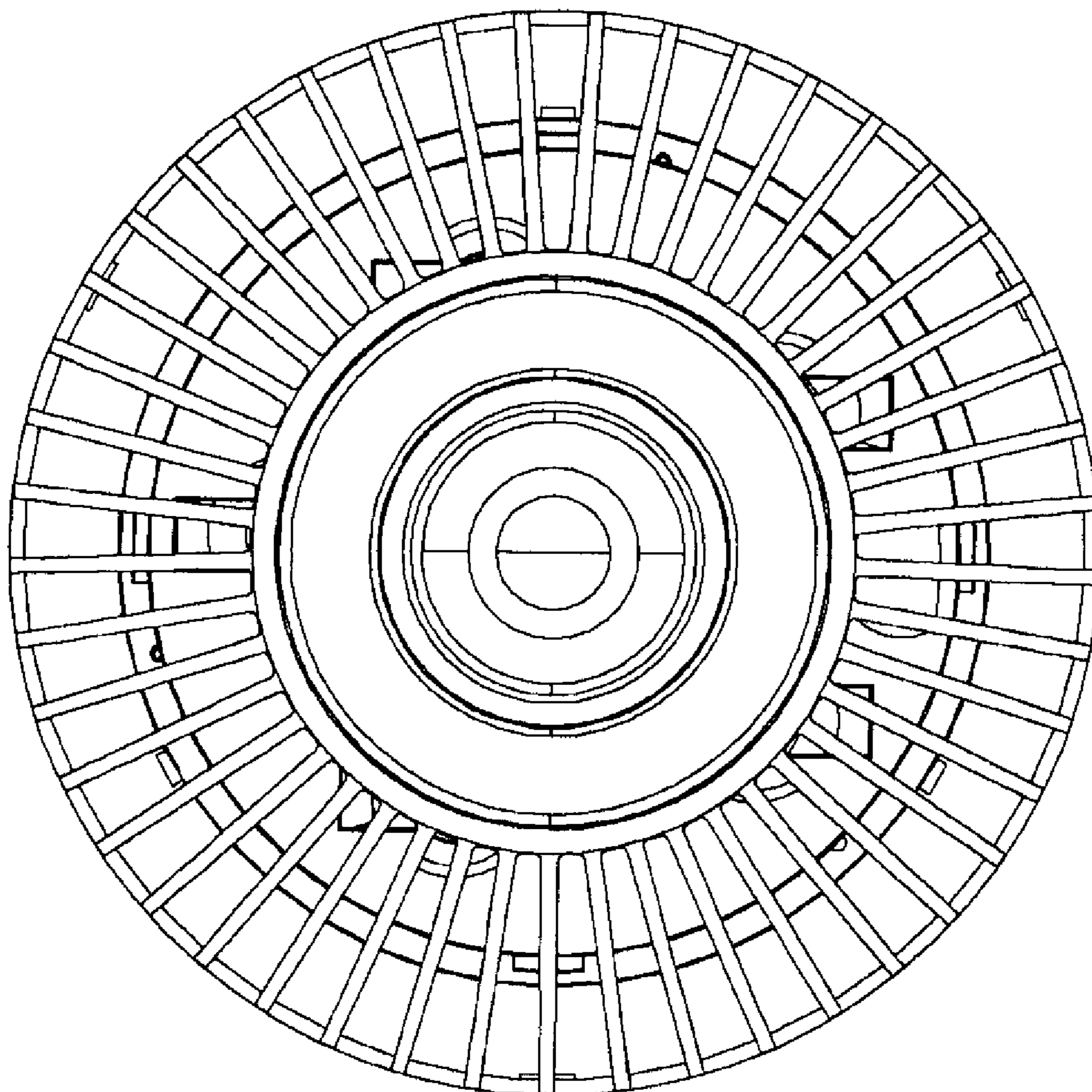


FIG. 7