



US00D582573S

(12) **United States Design Patent**
Fears

(10) **Patent No.:** **US D582,573 S**
(45) **Date of Patent:** **** Dec. 9, 2008**

(54) **PROTECTIVE CAP FOR WOODEN STAKE**

D509,915 S * 9/2005 Rosian D25/135

(76) Inventor: **John L. Fears**, 230 Myrna Loy Dr.,
Beaumont, TX (US) 77705

* cited by examiner

Primary Examiner—Doris Clark

(**) Term: **14 Years**

(57) **CLAIM**

(21) Appl. No.: **29/288,221**

The ornamental design for a protective cap for wooden stake,
as shown and described.

(22) Filed: **Jun. 4, 2007**

(51) **LOC (8) Cl.** **25-01**

(52) **U.S. Cl.** **D25/135**

(58) **Field of Classification Search** D25/135;
52/300, 301; 256/19, 20, 22, 65.01, 66, 65.11
See application file for complete search history.

DESCRIPTION

FIG. 1 is a perspective view of a protective cap for wooden stake showing my new design;

FIG. 2 is a top view thereof;

FIG. 3 is a bottom view thereof;

FIG. 4 is a front view thereof, the opposite side view being a mirror image thereof; and,

FIG. 5 is a side view thereof.

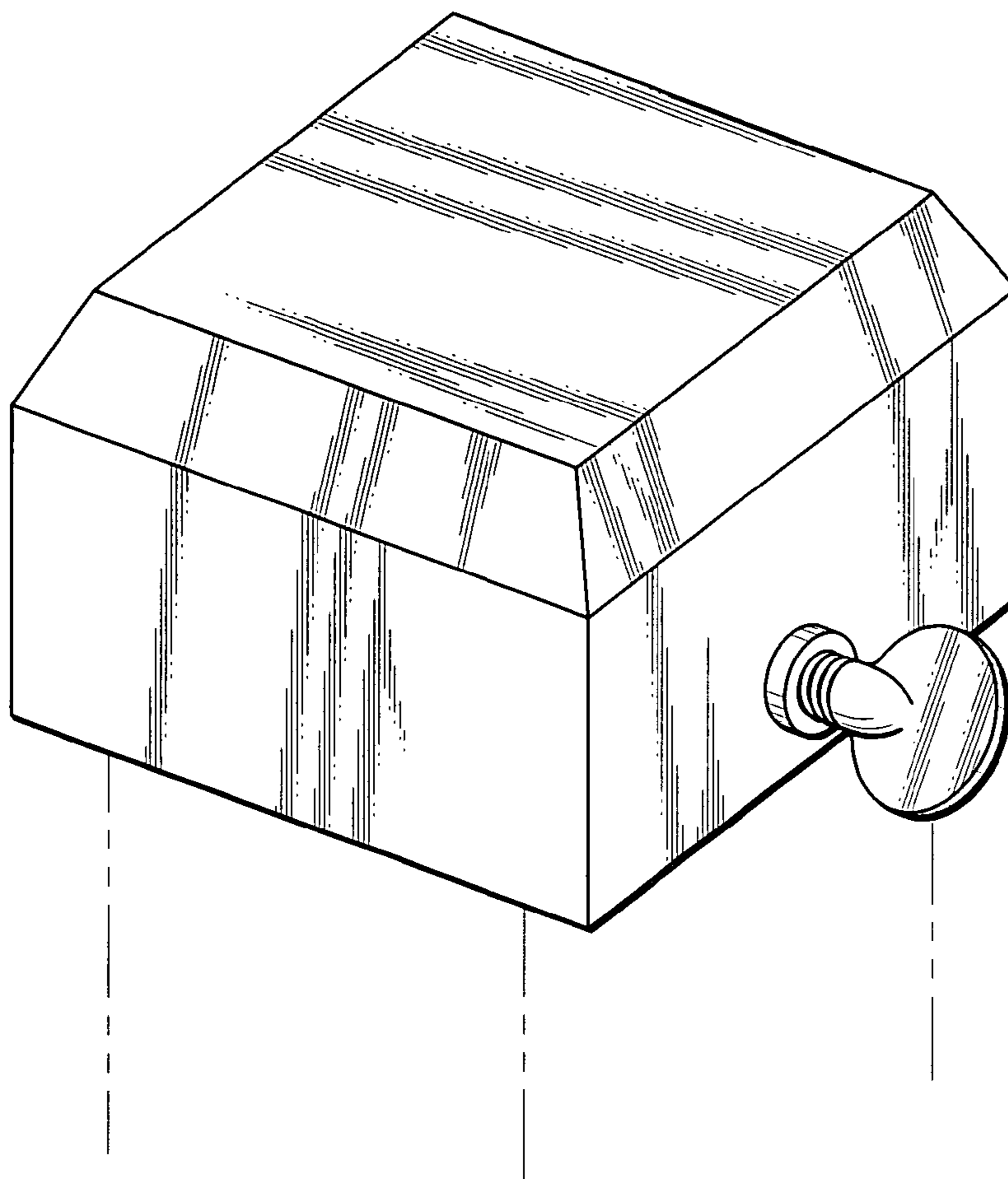
The features shown in broken lines in FIG. 1 are shown for illustrative purpose only and form no part of the claimed design.

(56) **References Cited**

U.S. PATENT DOCUMENTS

- 2,360,432 A * 10/1944 Mackenzie 52/165
- 3,319,328 A * 5/1967 Finger et al. 29/423
- 3,352,581 A * 11/1967 Robbins et al. 403/244
- 4,680,428 A * 7/1987 Wilson, Jr. 174/158 F
- 5,600,927 A * 2/1997 Kennon 52/301
- D451,614 S * 12/2001 Merrick D25/135

1 Claim, 2 Drawing Sheets



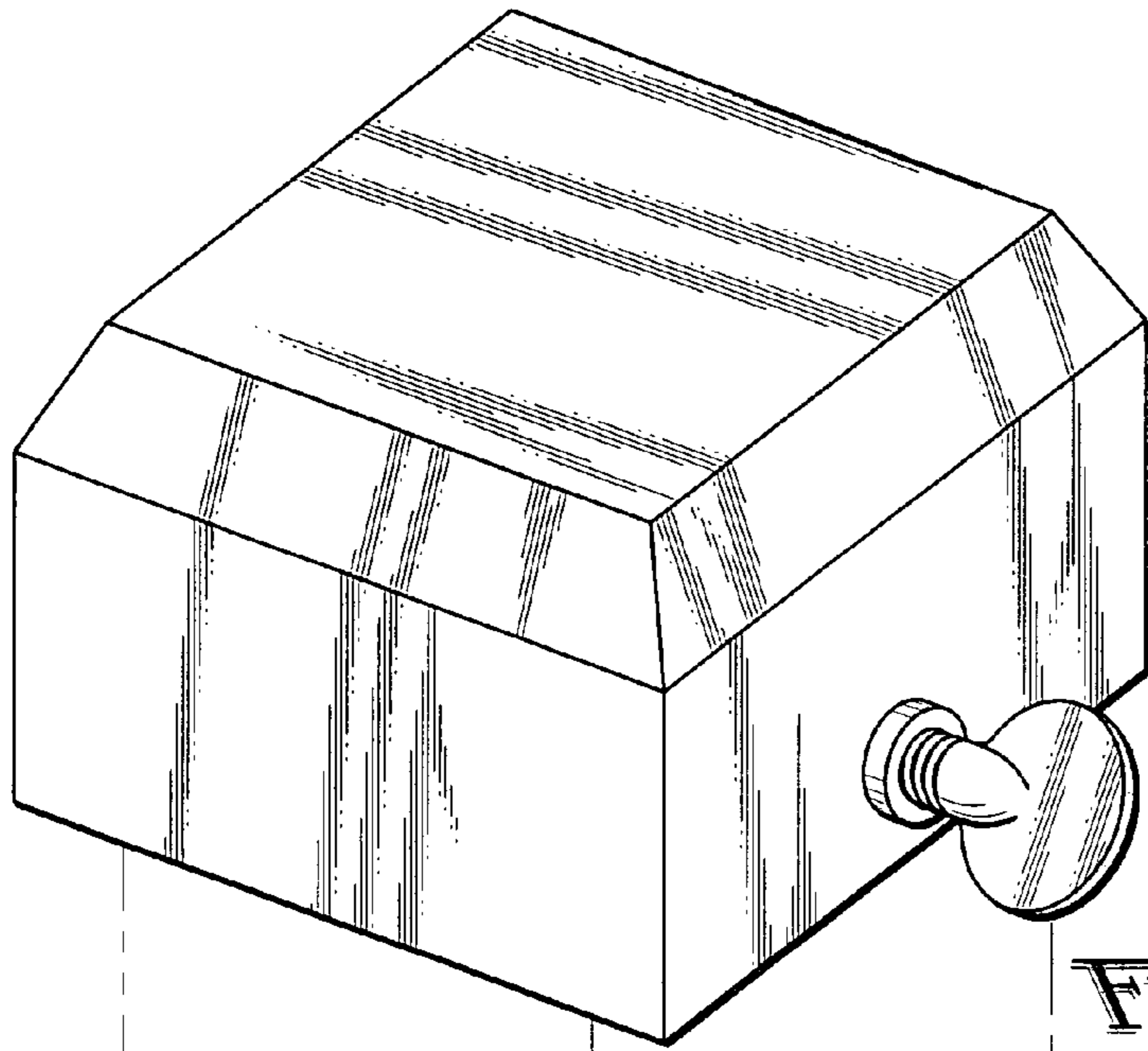


FIG. 1

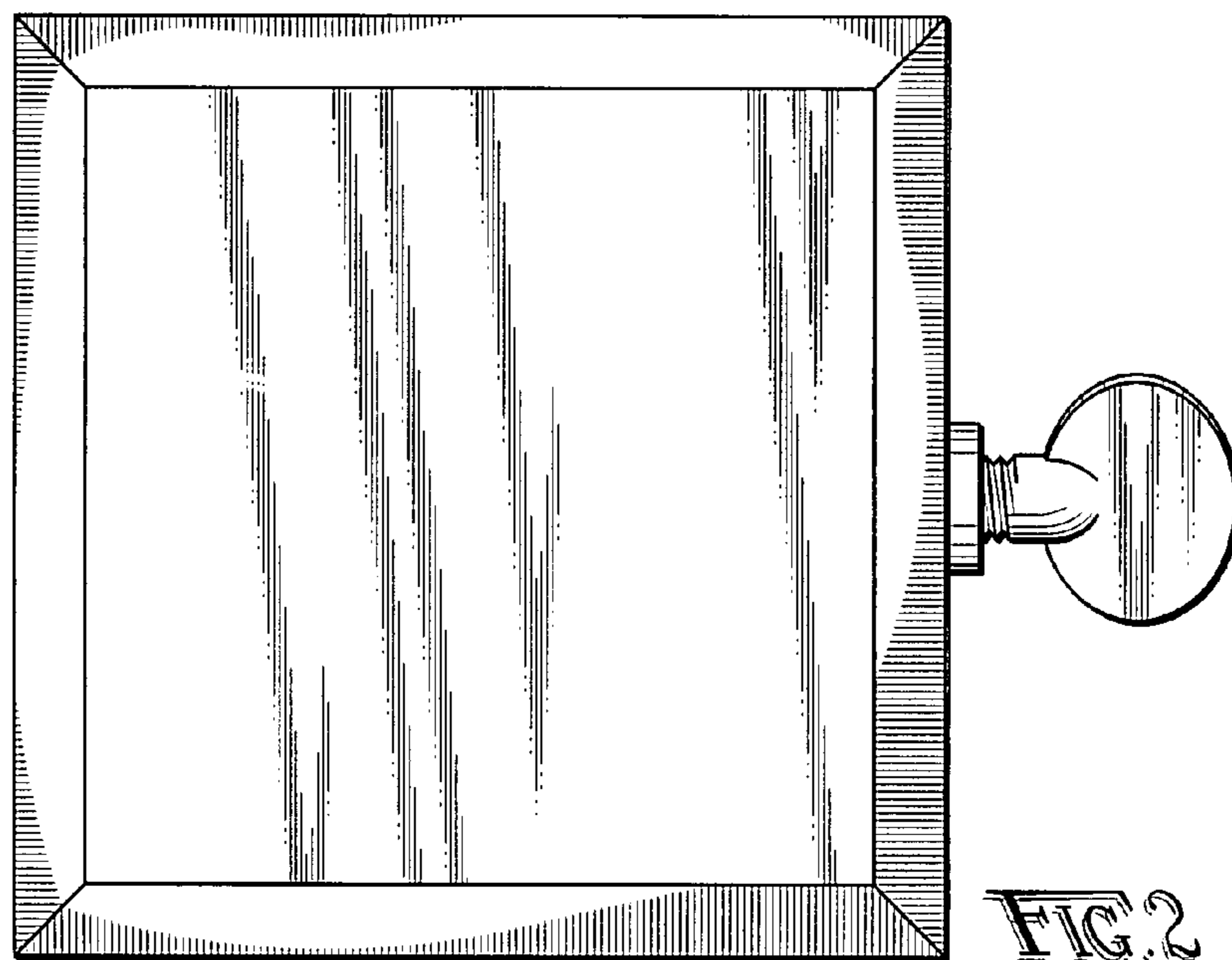


FIG. 2

