



US00D582572S

(12) **United States Design Patent**  
**Hill, III**

(10) **Patent No.:** **US D582,572 S**

(45) **Date of Patent:** **\*\* Dec. 9, 2008**

(54) **FENCE POST BASE**

(57) **CLAIM**

(76) **Inventor:** **Willard A. Hill, III**, 3528 Holsten  
Creek, Southaven, MS (US) 38672

The ornamental design for a fence post base, as shown and  
described.

(\*\*) **Term:** **14 Years**

(21) **Appl. No.:** **29/298,037**

(22) **Filed:** **Nov. 27, 2007**

(51) **LOC (8) Cl.** ..... **25-01**

(52) **U.S. Cl.** ..... **D25/133**

(58) **Field of Classification Search** ..... D25/133;  
256/19, 20, 22, 65.01, 66, 65.11, 65.14, 64;  
52/146, 297

See application file for complete search history.

(56) **References Cited**

**U.S. PATENT DOCUMENTS**

3,282,001	A *	11/1966	Bigalow	.....	52/292
4,068,436	A *	1/1978	Sato	.....	52/298
4,070,837	A *	1/1978	Sato	.....	52/297
D486,250	S *	2/2004	Mettler et al.	.....	D25/133
D513,536	S *	1/2006	Walker	.....	D25/133

\* cited by examiner

*Primary Examiner*—Doris Clark

(74) *Attorney, Agent, or Firm*—Wyatt, Tarrant & Combs, LLP

**DESCRIPTION**

FIG. 1 is a top view of a fence post base, the bottom view  
being a minor image thereof;

FIG. 2 is a left side view thereof, the right side being a mirror  
image thereof;

FIG. 3 is a front view thereof;

FIG. 4 is a rear view thereof;

FIG. 5 is a perspective view of the design of FIG. 1;

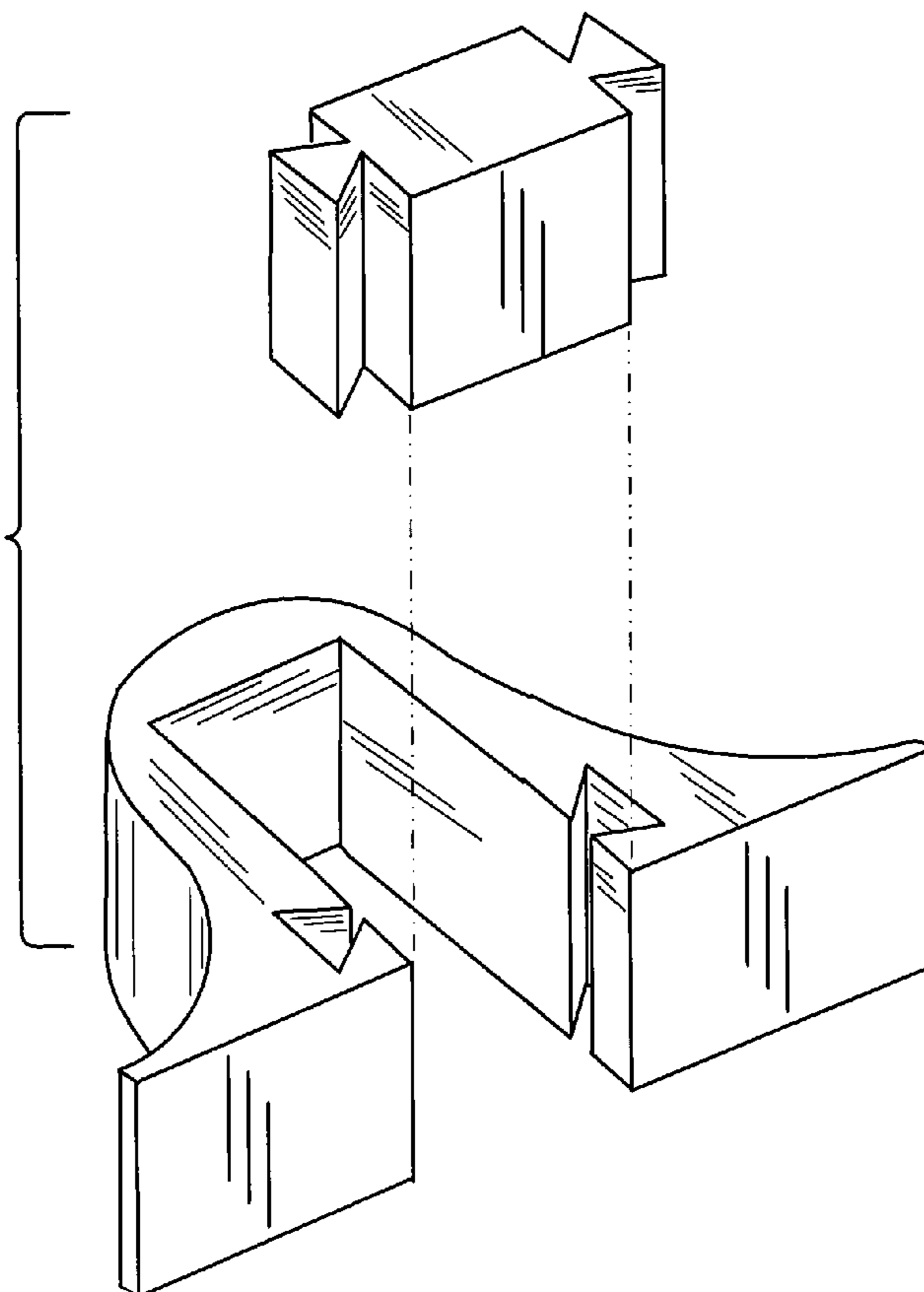
FIG. 6 is an exploded perspective view of the design of FIG.  
5;

FIG. 7 is a perspective view of a second embodiment of my  
fence post base wherein the second variant has screw holes  
located on each side of the upper portion; and,

FIG. 8 is an exploded perspective view of the design of FIG.  
7;

The broken lines in FIGS. 6 and 8 are for illustrative purposes  
only and form no part of the claimed design.

**1 Claim, 3 Drawing Sheets**



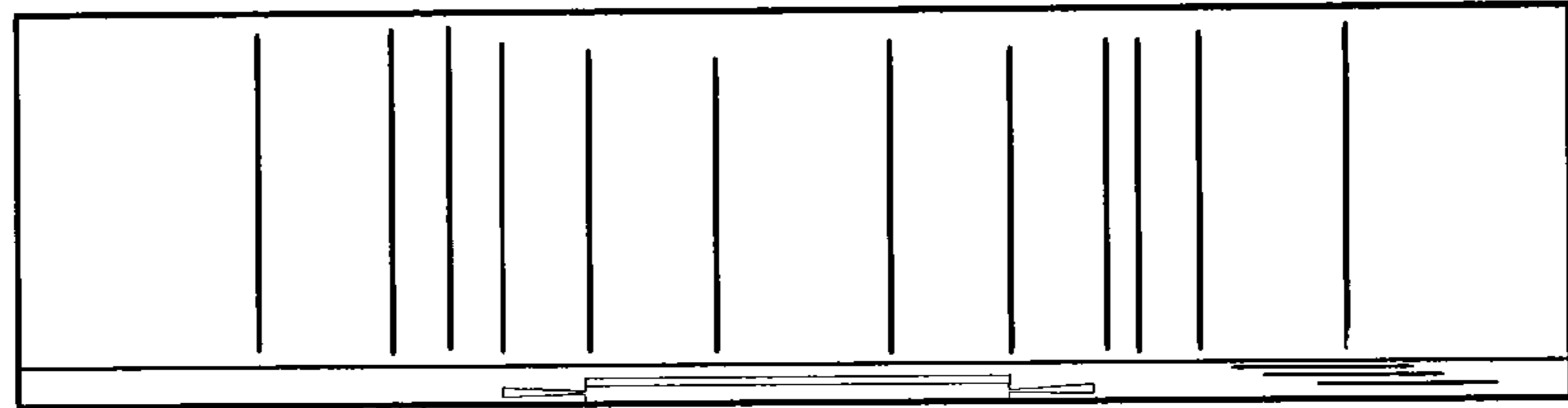


FIG. 3

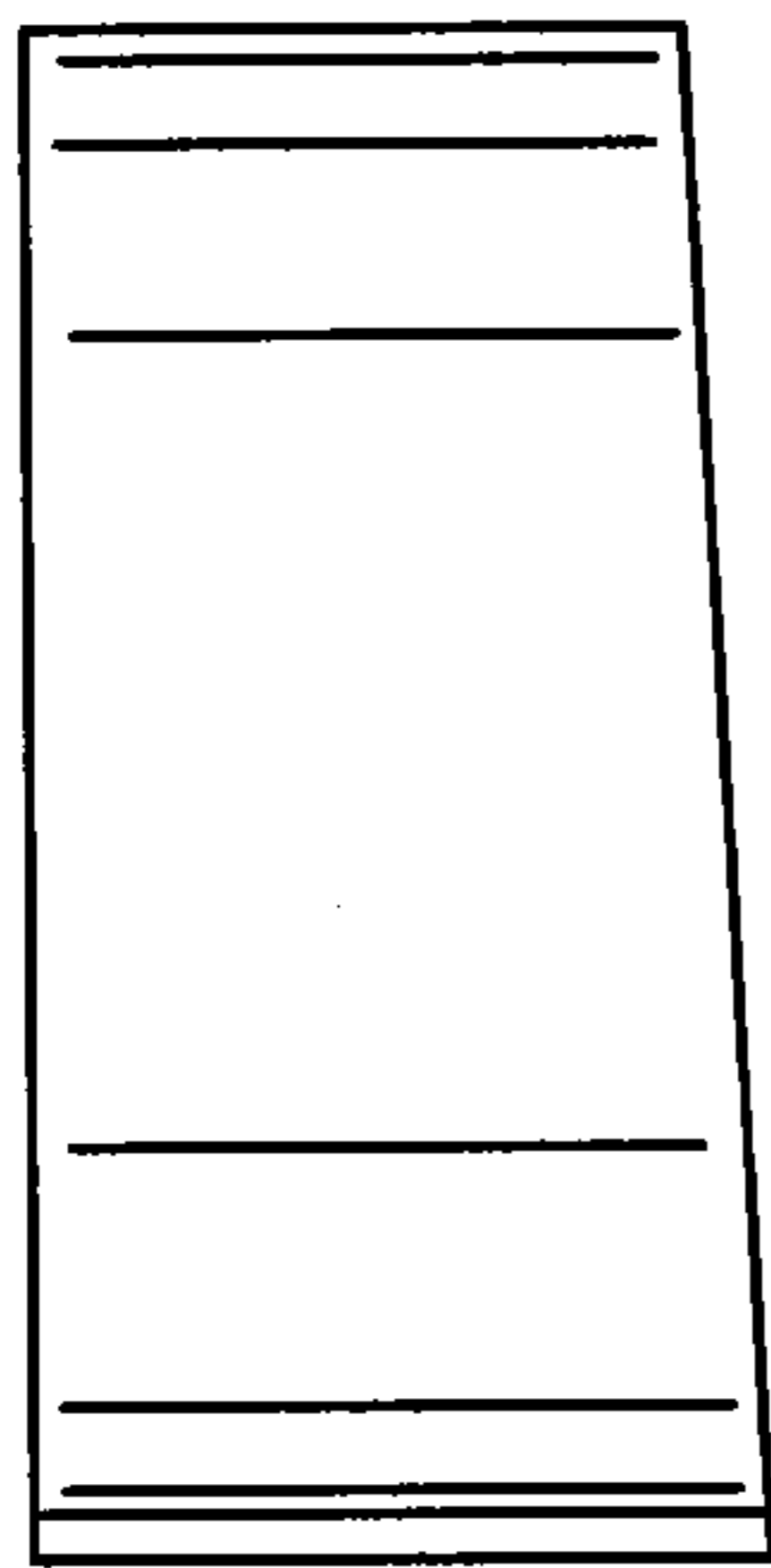


FIG. 2

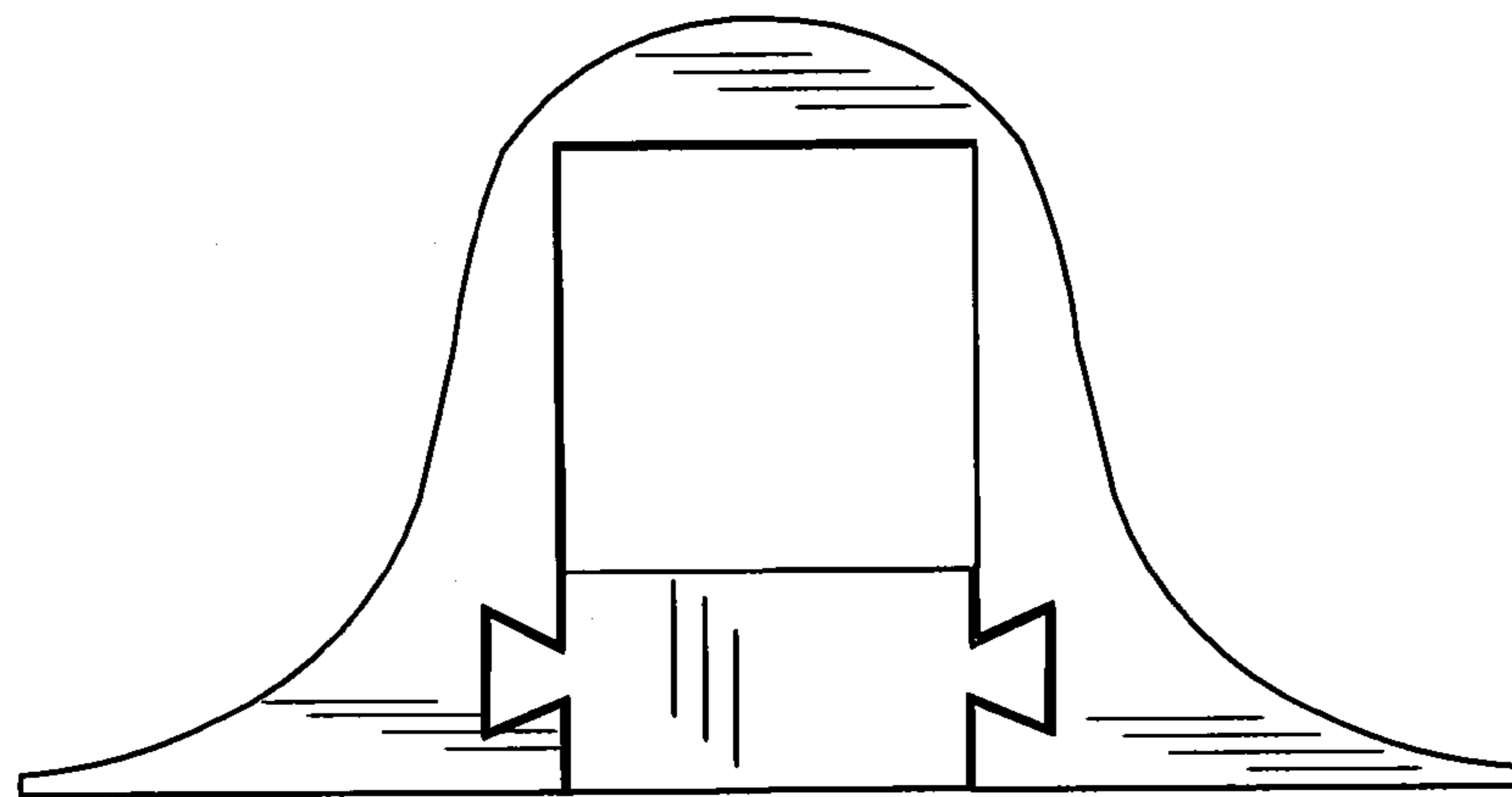


FIG. 1

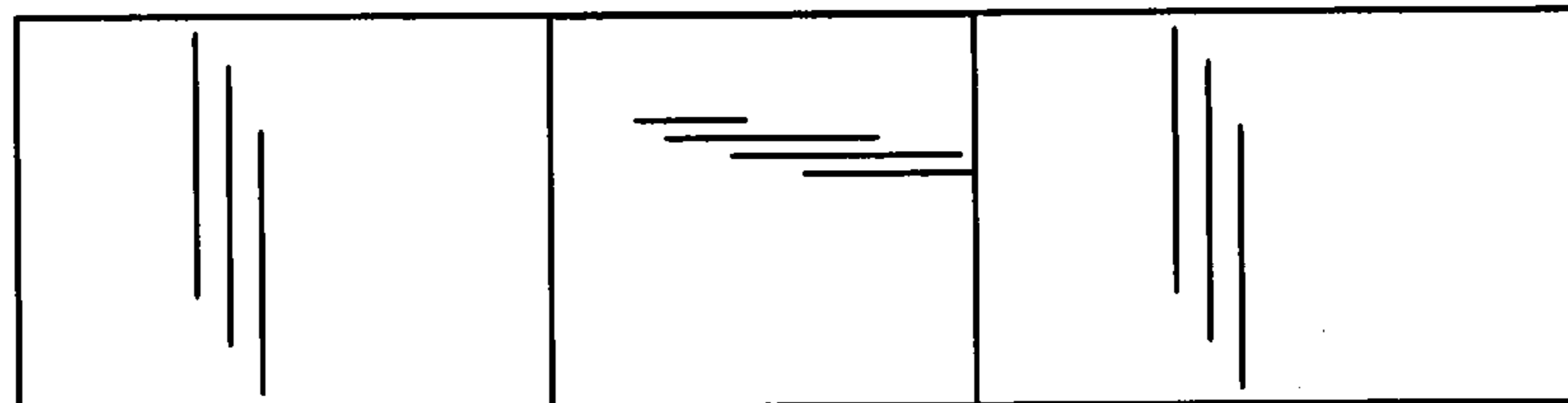


FIG. 4

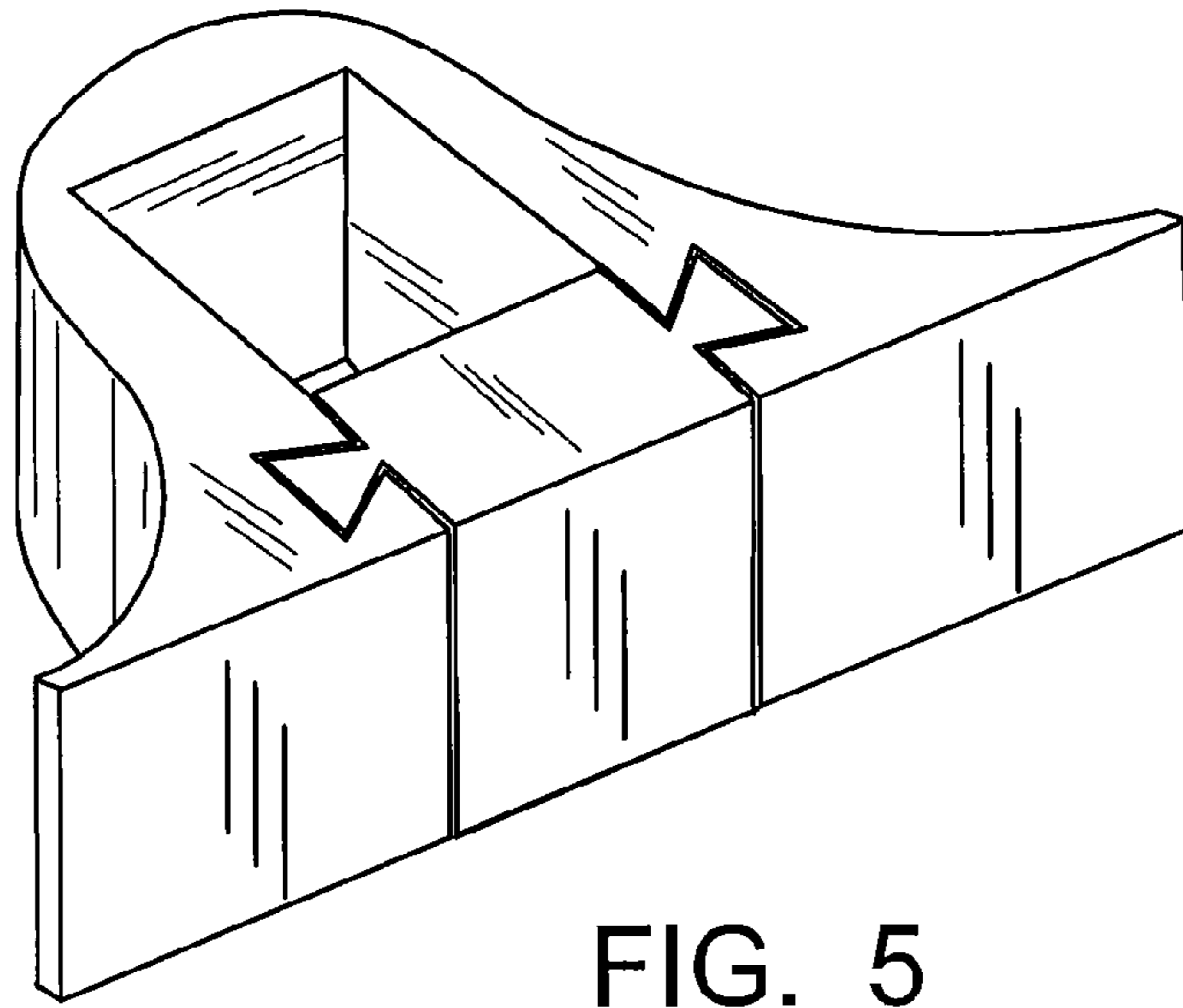


FIG. 5

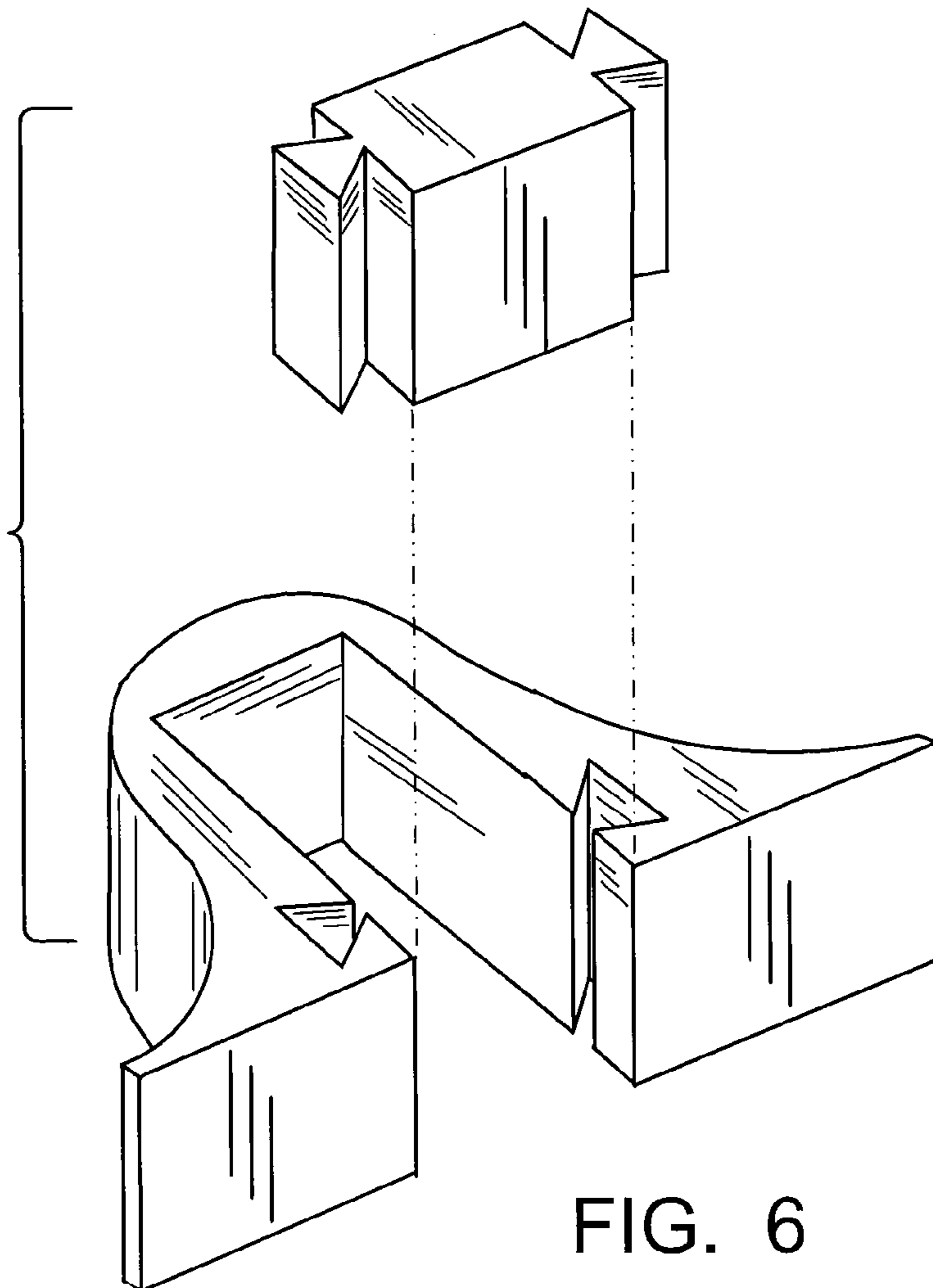


FIG. 6

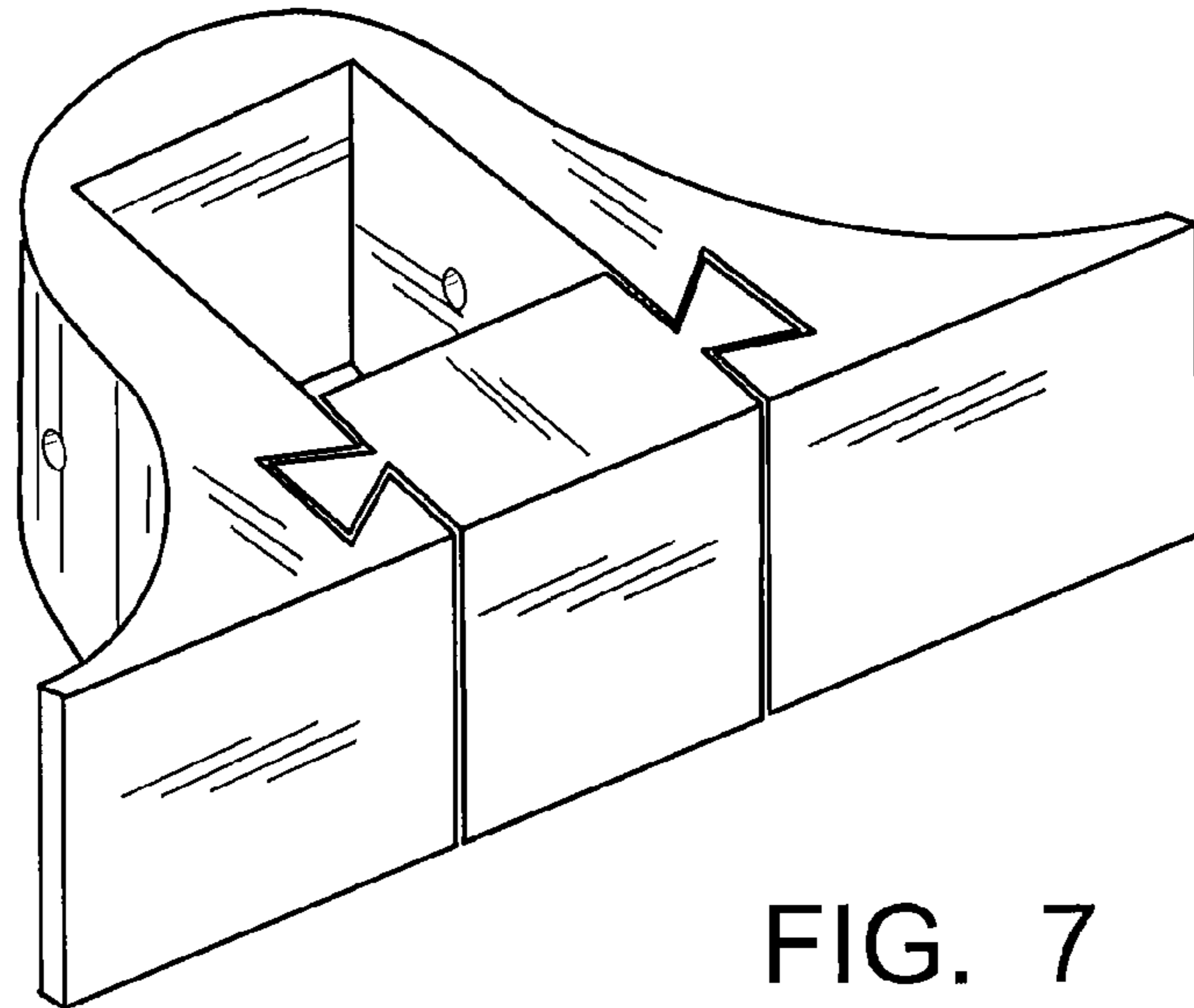


FIG. 7

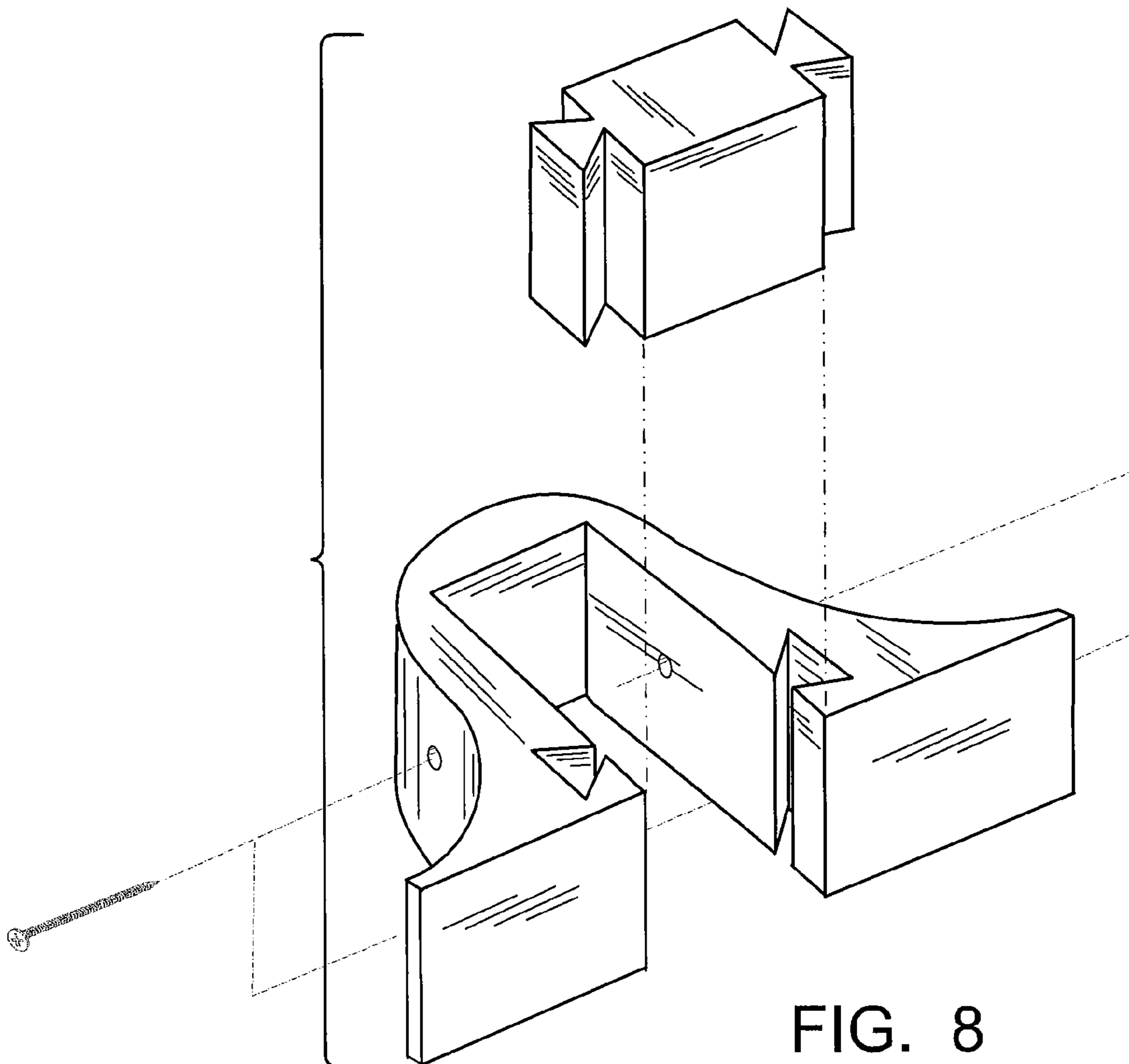


FIG. 8