



US00D582570S

(12) **United States Design Patent**
Hull

(10) **Patent No.:** **US D582,570 S**

(45) **Date of Patent:** **** Dec. 9, 2008**

(54) **CORNER EXTRUSION**

6,311,442 B1 * 11/2001 Watanabe 52/282.3

(75) Inventor: **Douglas William Hull**, Plymouth, MI (US)

(73) Assignee: **Impressive Basement Systems, LLC**, Oak Park, MI (US)

(**) Term: **14 Years**

(21) Appl. No.: **29/288,527**

(22) Filed: **Jun. 14, 2007**

(51) **LOC (8) Cl.** **25-01**

(52) **U.S. Cl.** **D25/124**

(58) **Field of Classification Search** 52/287.1, 52/280, 272; D25/121, 122, 124, 55
See application file for complete search history.

(56) **References Cited**

U.S. PATENT DOCUMENTS

4,273,813	A	6/1981	Meddaugh	
4,525,960	A	7/1985	Kelman	
4,735,838	A	4/1988	Roberts et al.	
4,986,332	A	1/1991	Lanuza	
6,044,601	A *	4/2000	Chmela et al.	52/287.1
D432,674	S *	10/2000	Grosfillex	D25/124

OTHER PUBLICATIONS

Erie Basement Finishing, www.erieconstruction.com, 2 pages.
The Only System Designed for Basements, www.owencorning.com, 2 pages.

* cited by examiner

Primary Examiner—Doris Clark
(74) *Attorney, Agent, or Firm*—Wam Partners, P.C.

(57) **CLAIM**

I claim the ornamental design for a corner extrusion, as shown and described.

DESCRIPTION

FIG. 1 is a first side view of a corner extrusion which embodies the design;

FIG. 2 is a perspective view thereof;

FIG. 3 is a second side view thereof;

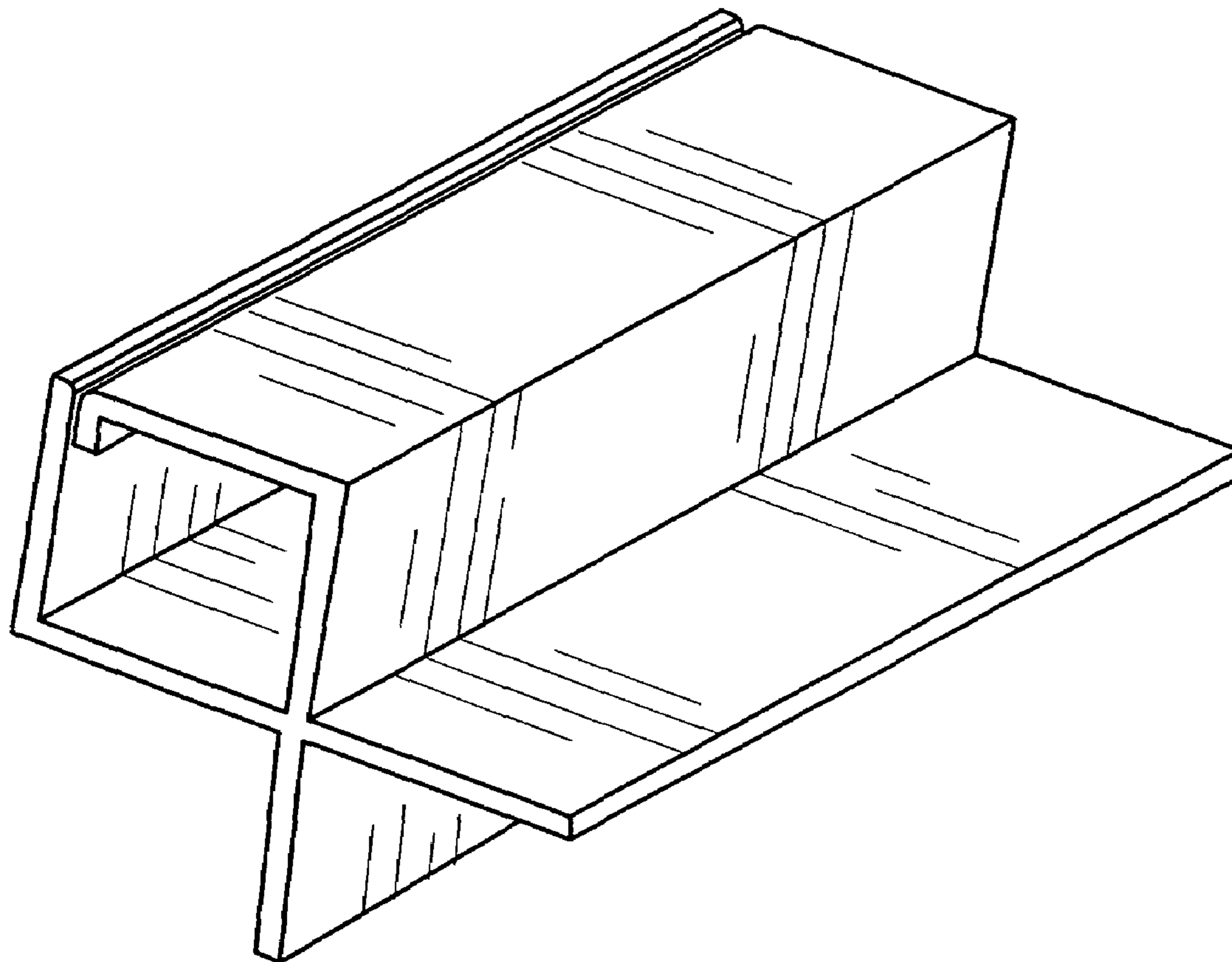
FIG. 4 is a front view thereof;

FIG. 5 is a bottom side view thereof;

FIG. 6 is a top view thereof; and,

FIG. 7 is a rear view thereof.

1 Claim, 4 Drawing Sheets



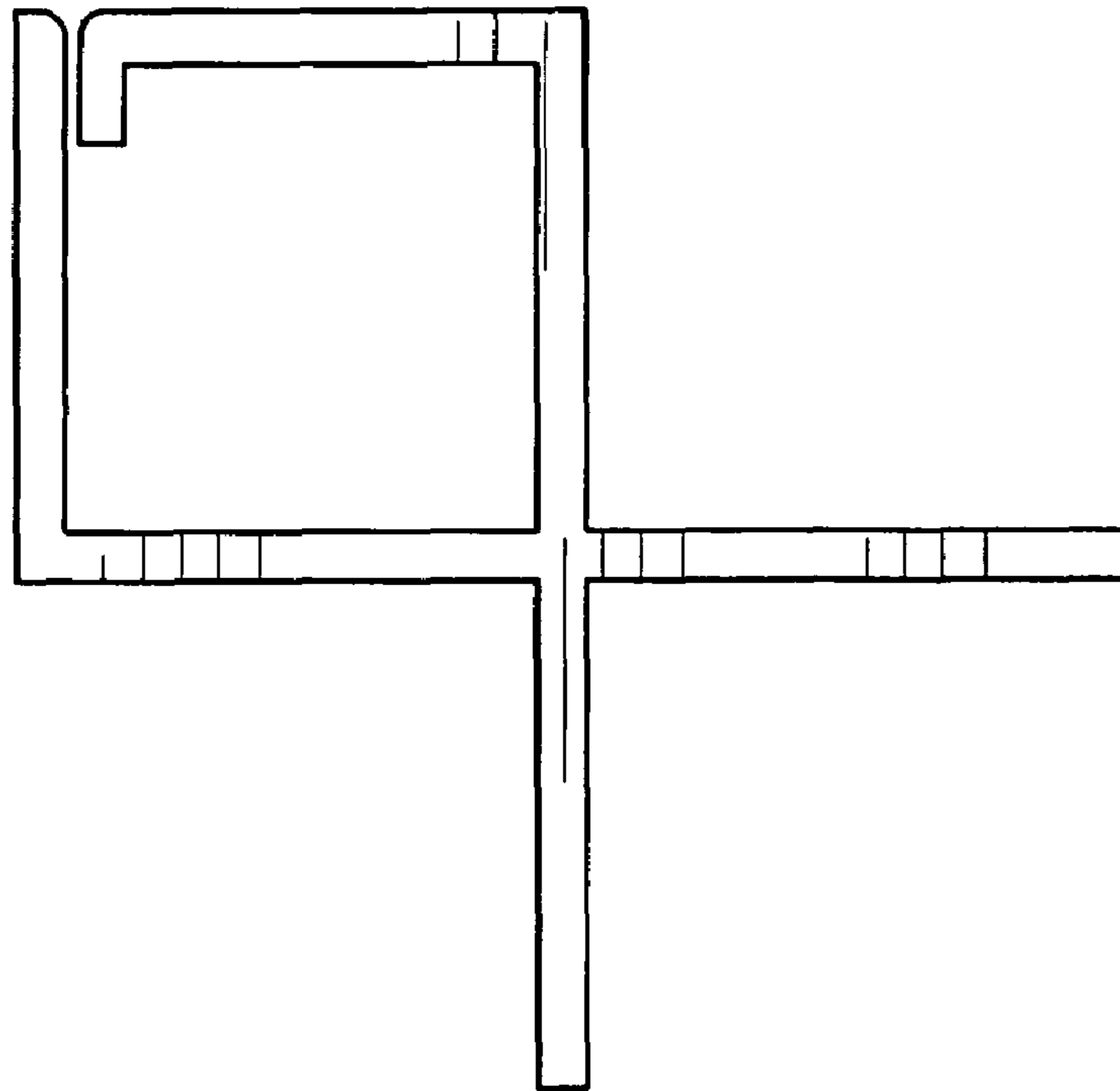


FIG - 1

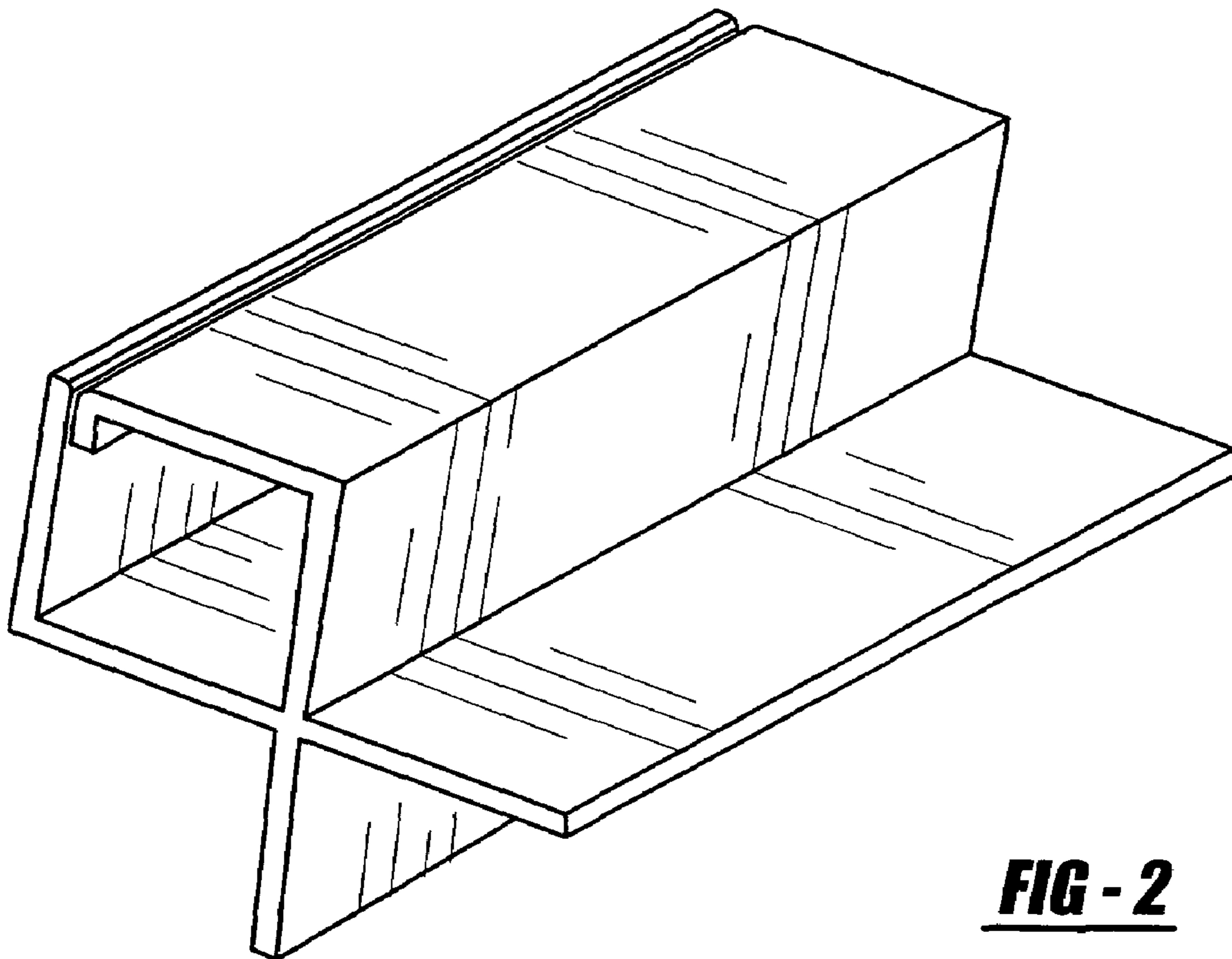


FIG - 2

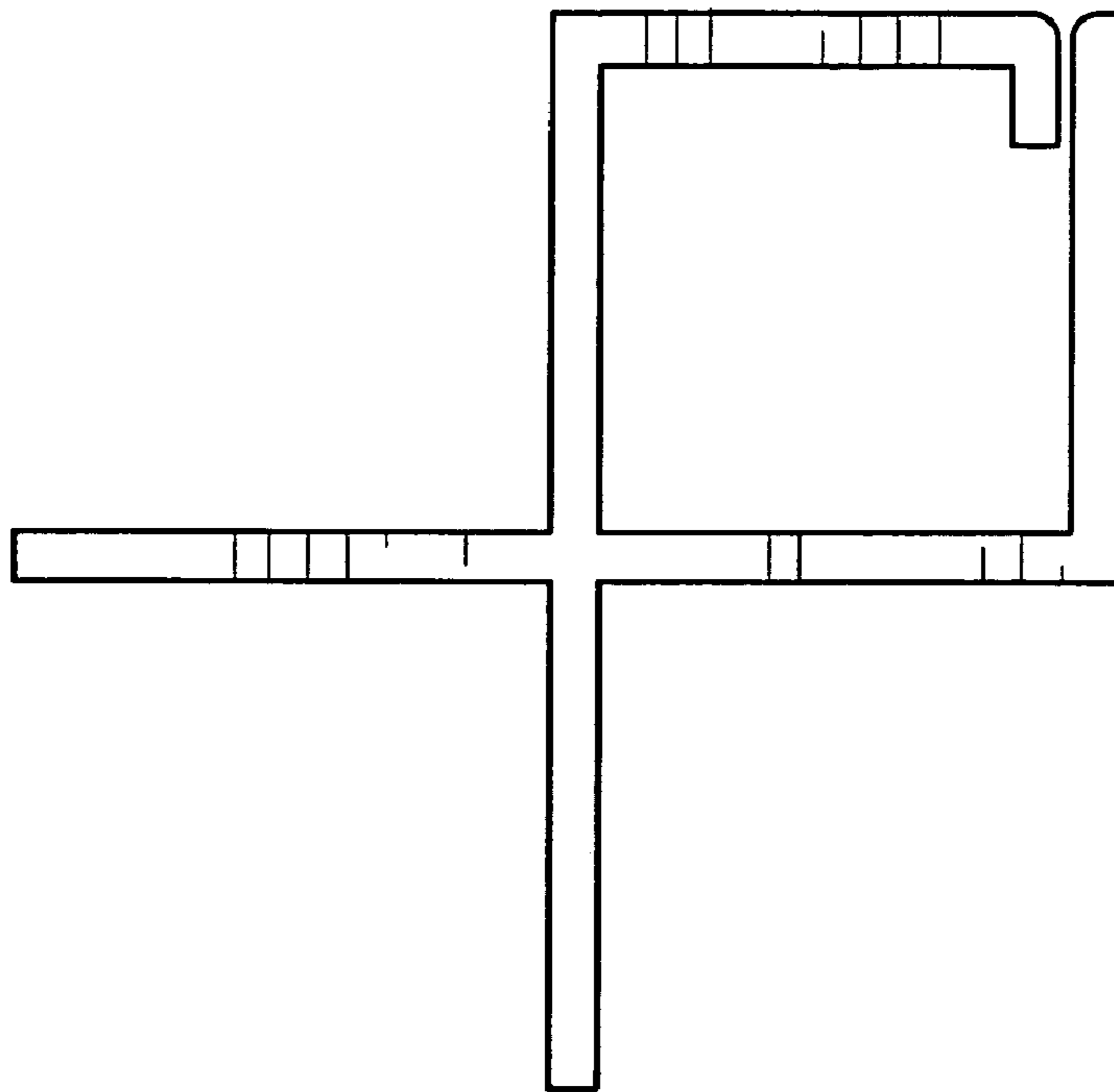


FIG - 3

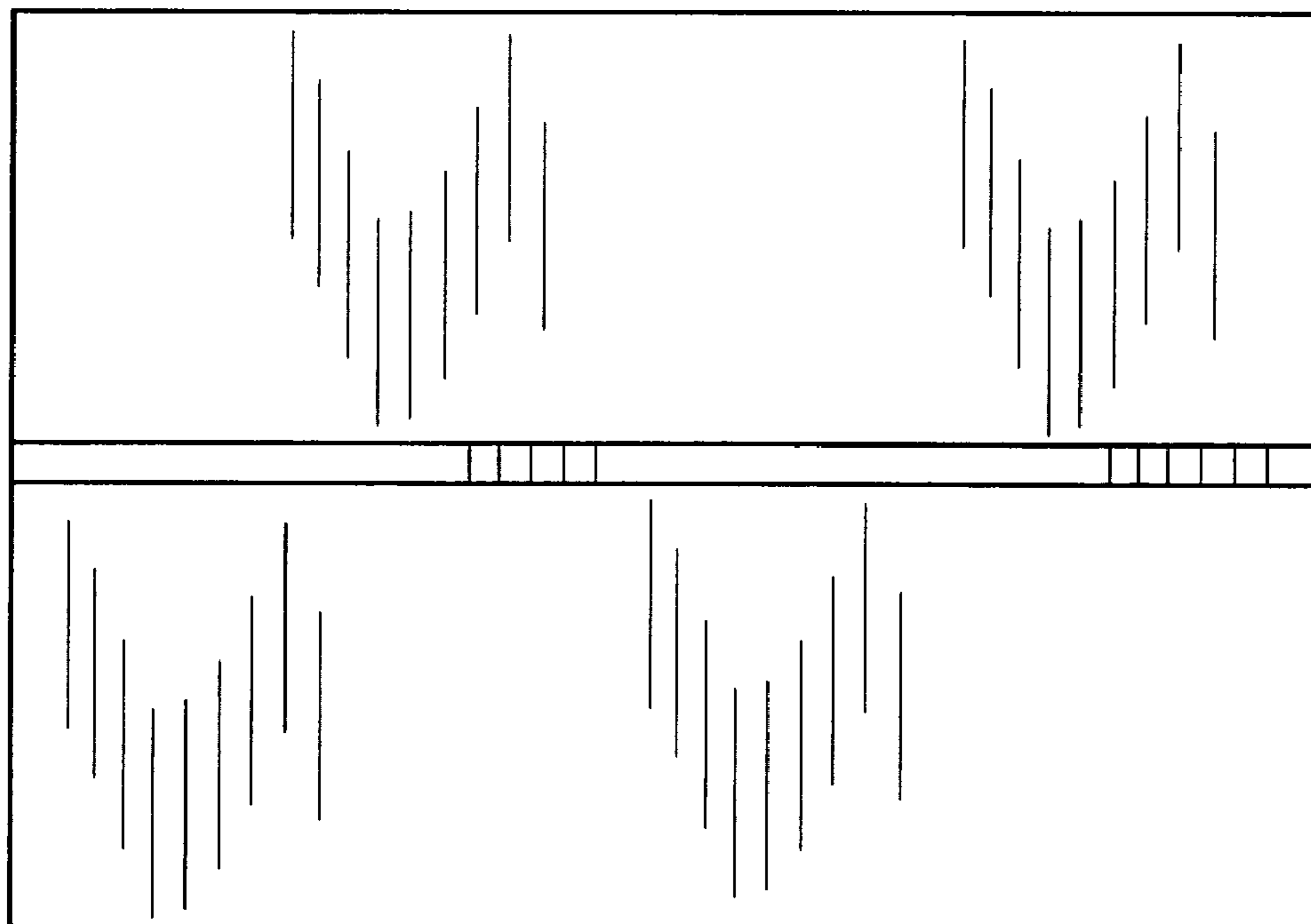


FIG - 4

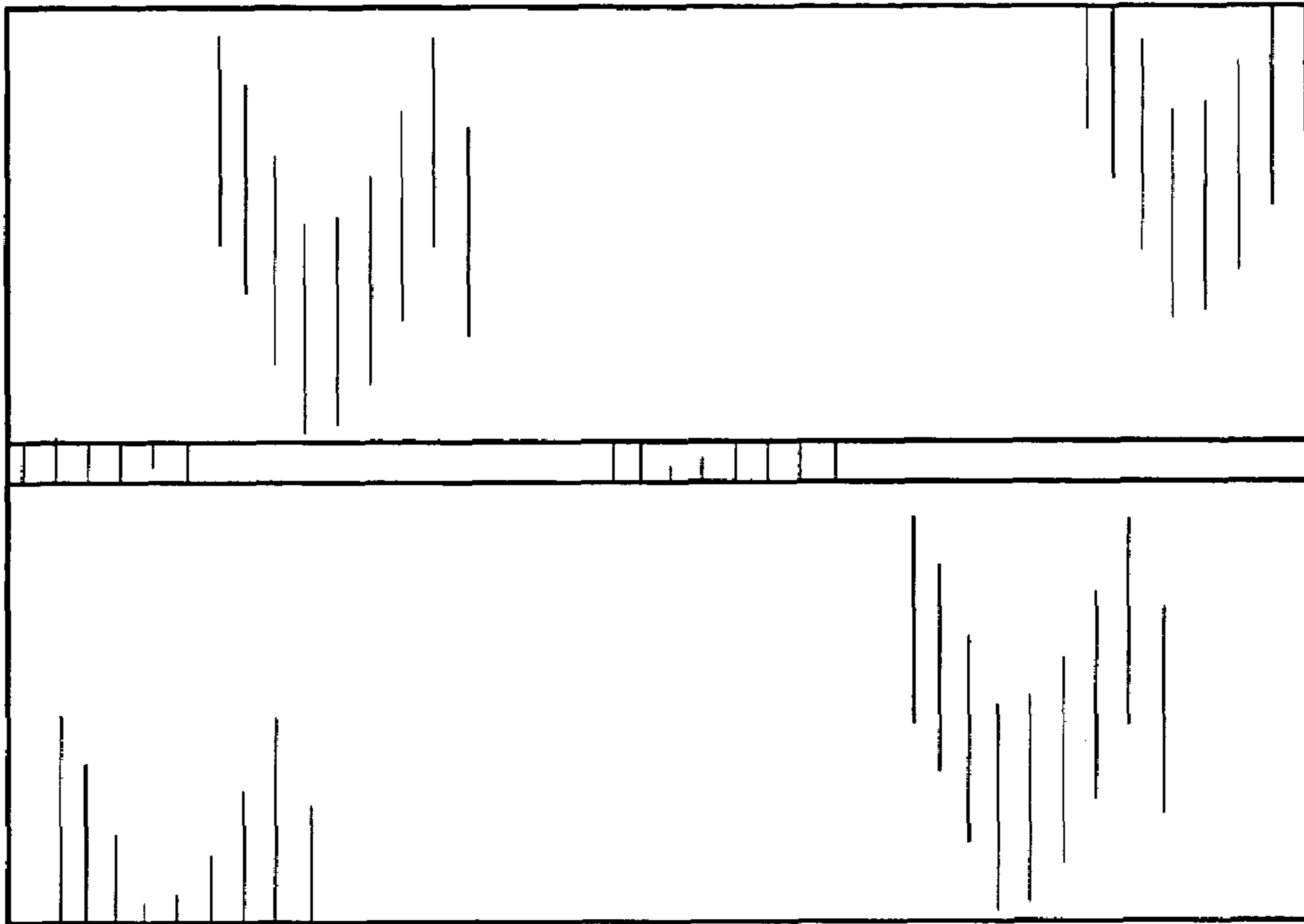


FIG - 5

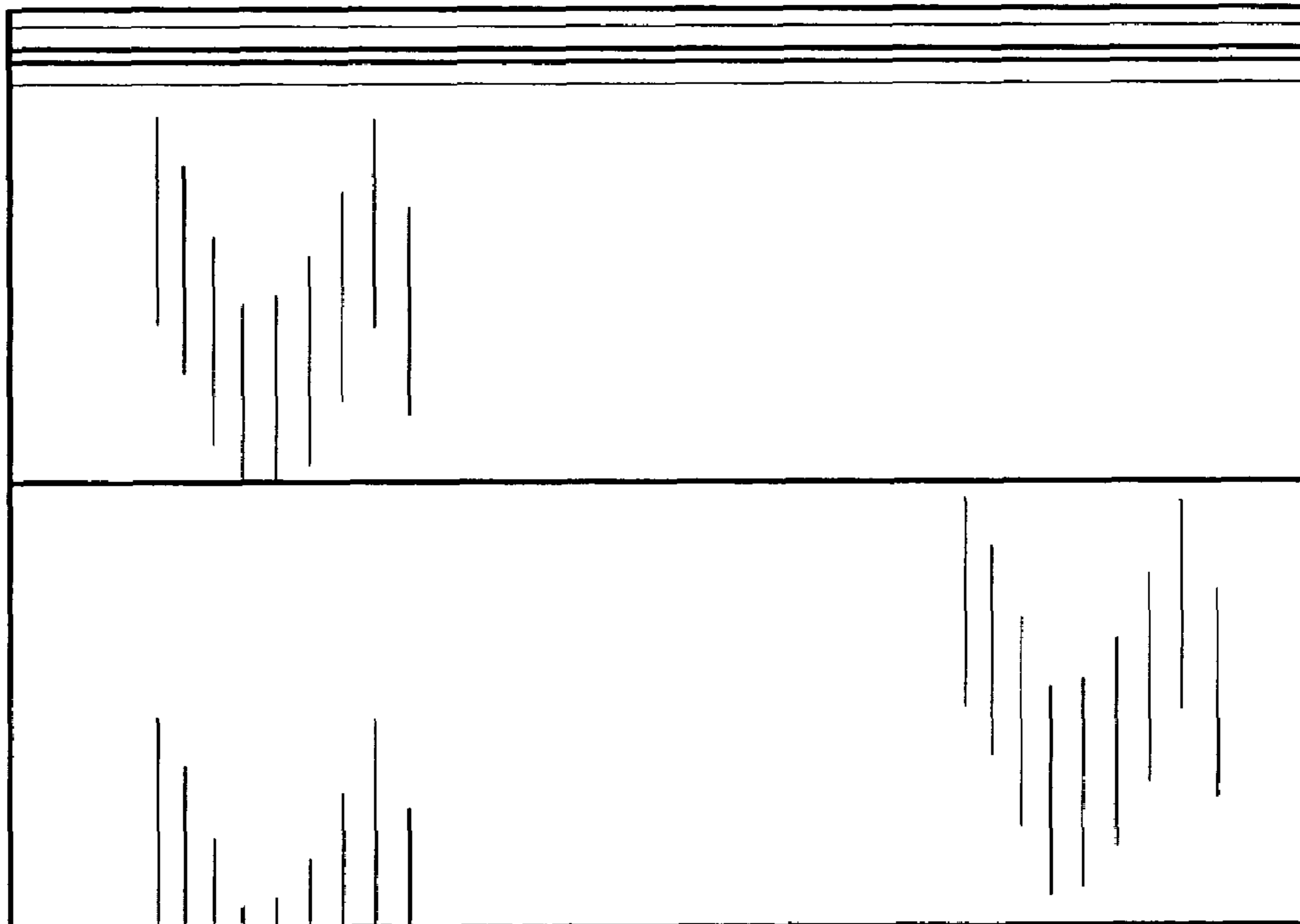


FIG - 6

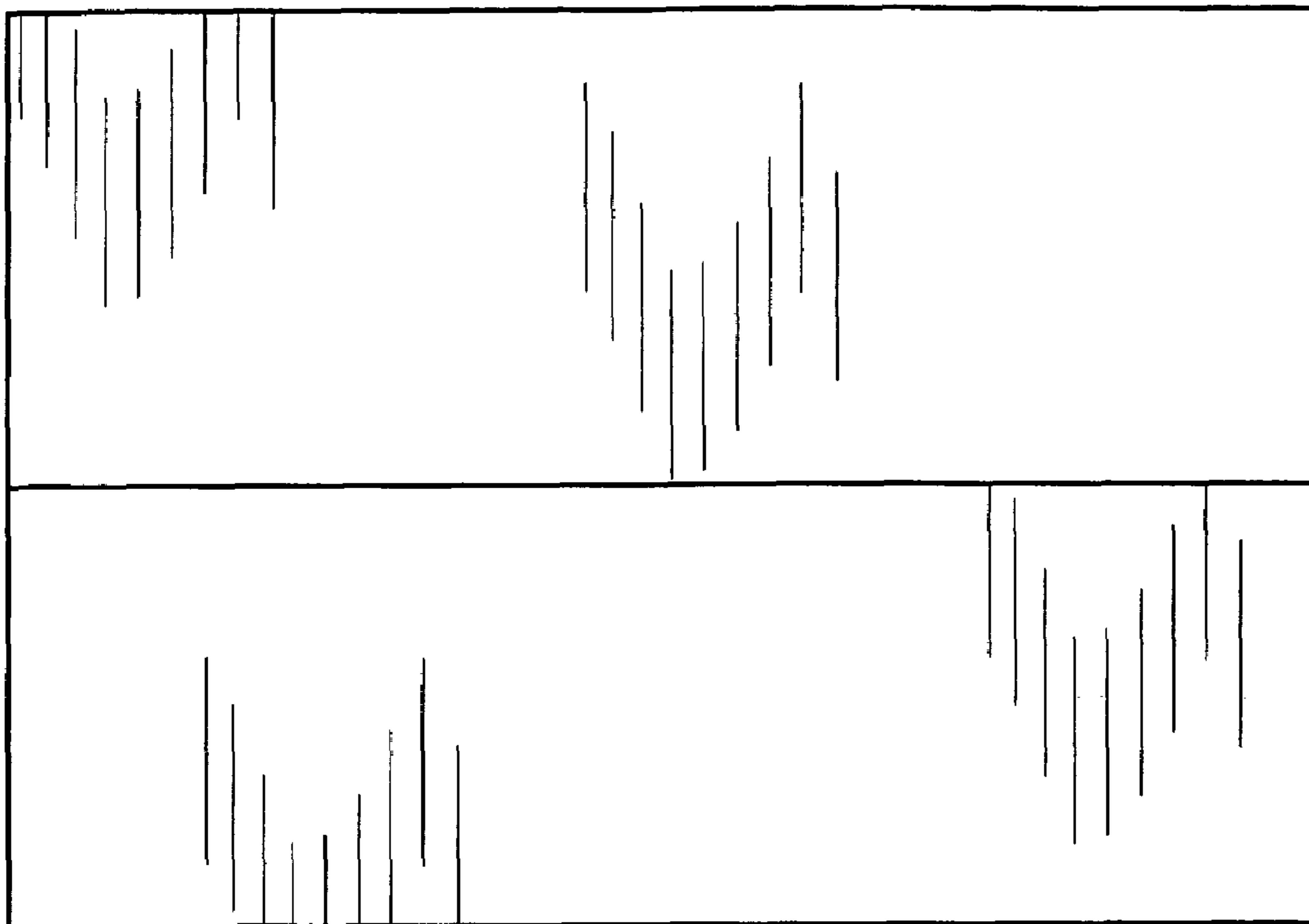


FIG - 7