



US00D582564S

(12) **United States Design Patent**
Potter et al.

(10) **Patent No.:** **US D582,564 S**
(45) **Date of Patent:** **** Dec. 9, 2008**

(54) **LAWNING APPLICATOR FOR A MICROBIOLOGICAL CULTURES**

(75) Inventors: **Colin William Potter**, Victoria (AU); **Rajiv Gupta**, Victoria (AU); **Stephen Lewis Leckenby**, Victoria (AU); **Phillip James Duncan**, Victoria (AU); **Ryan Andrew Annear**, Victoria (AU)

(73) Assignee: **Labtech Systems Limited**, Adelaide (AU)

(**) Term: **14 Years**

(21) Appl. No.: **29/281,318**

(22) Filed: **Jun. 20, 2007**

(30) **Foreign Application Priority Data**
Dec. 21, 2006 (AU) 15850/2006

(51) **LOC (8) Cl.** **24-01**

(52) **U.S. Cl.** **D24/216**

(58) **Field of Classification Search** D24/216-230,
D24/127, 128, 231, 232, 133, 135; 422/100-104;
D10/81, 103; 435/30, 309.1, 309.3, 309.4;
D8/14, 16, 45; D7/688, 692; D32/46
See application file for complete search history.

(56) **References Cited**

U.S. PATENT DOCUMENTS

3,147,197	A *	9/1964	Connors	435/309.3
3,875,015	A *	4/1975	Wadley et al.	435/30
D243,438	S *	2/1977	Batley	D8/16
4,102,748	A *	7/1978	Vacanti	435/309.3
4,247,634	A *	1/1981	Abdou		
D282,278	S *	1/1986	Asa	D24/133

4,659,673	A *	4/1987	Brown		
D297,801	S *	9/1988	Olsson	D8/14
D350,603	S *	9/1994	Firlik	D24/119
6,291,234	B1 *	9/2001	Raz et al.		
D558,418	S *	12/2007	Krauss	D32/46
2007/0202564	A1 *	8/2007	Glasson et al.	435/30

FOREIGN PATENT DOCUMENTS

CH	555889	A *	11/1974
WO	WO-01/66686	A1 *	9/2001
WO	WO-2001/090296	A *	11/2001
WO	WO-2002/053698	A *	7/2002
WO	WO-2005/071055	A1 *	8/2005

* cited by examiner

Primary Examiner—Joel Sincavage
Assistant Examiner—Anhdao Doan

(74) *Attorney, Agent, or Firm*—Birch, Stewart, Kolasch & Birch, LLP

(57) **CLAIM**

The ornamental design for a lawning applicator for a micro-biological culture, as shown and described.

DESCRIPTION

FIG. 1 is a front perspective view of a lawning applicator for a micro-biological culture showing our new design;

FIG. 2 is a rear perspective view thereof;

FIG. 3 is a front view thereof;

FIG. 4 is a rear view thereof;

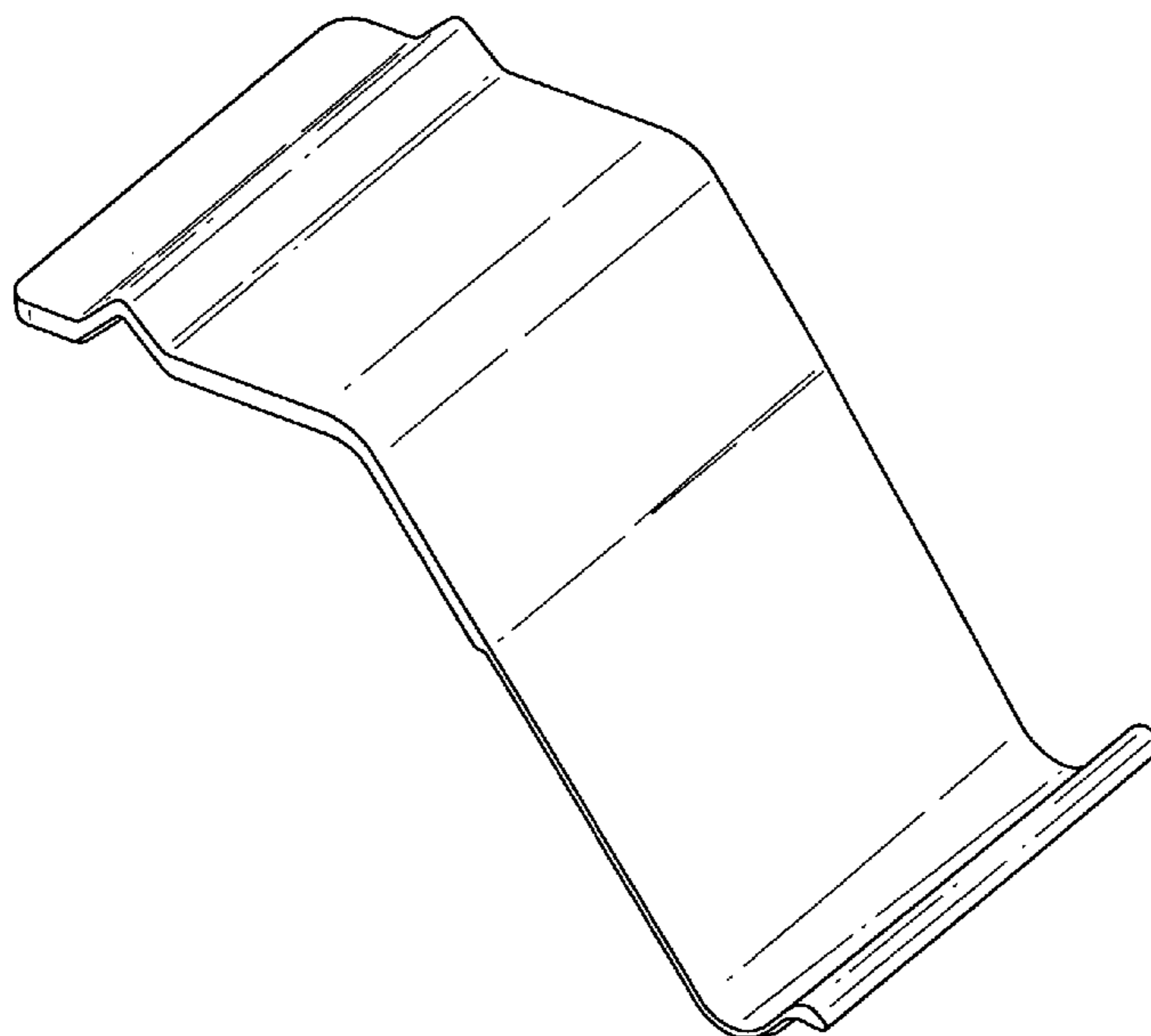
FIG. 5 is a top view thereof;

FIG. 6 is a bottom view thereof;

FIG. 7 is a right view thereof; and,

FIG. 8 is a left view thereof.

1 Claim, 3 Drawing Sheets



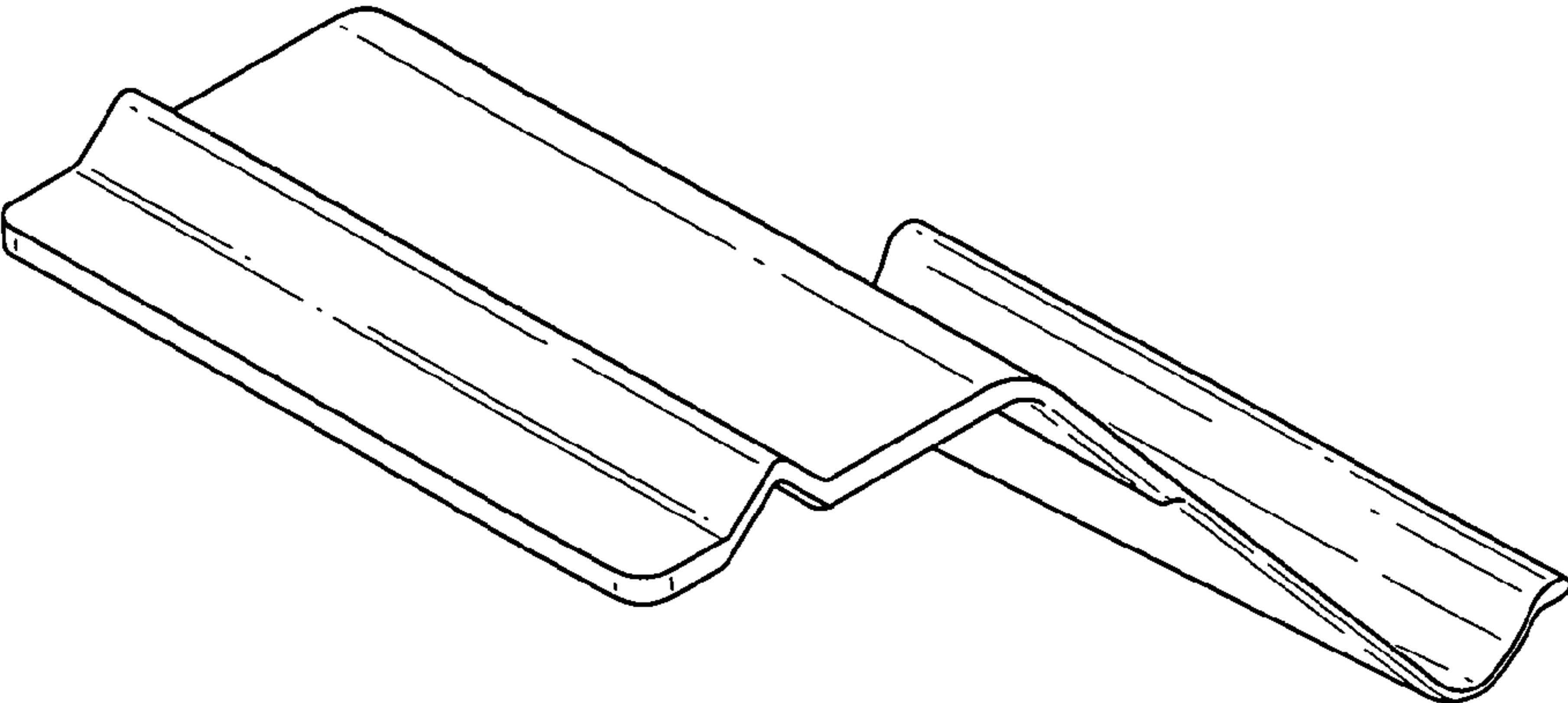


FIG. 1

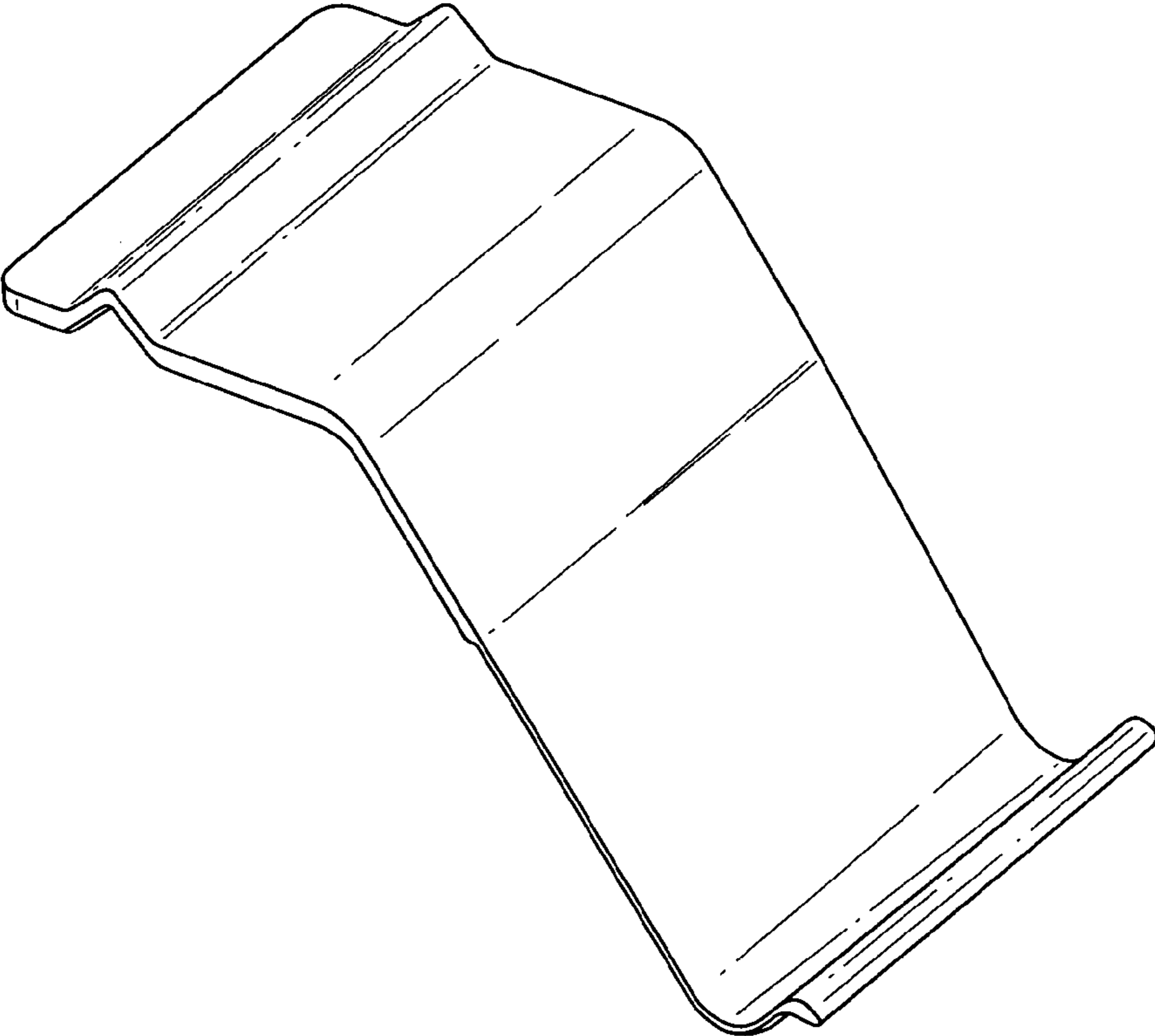


FIG. 2

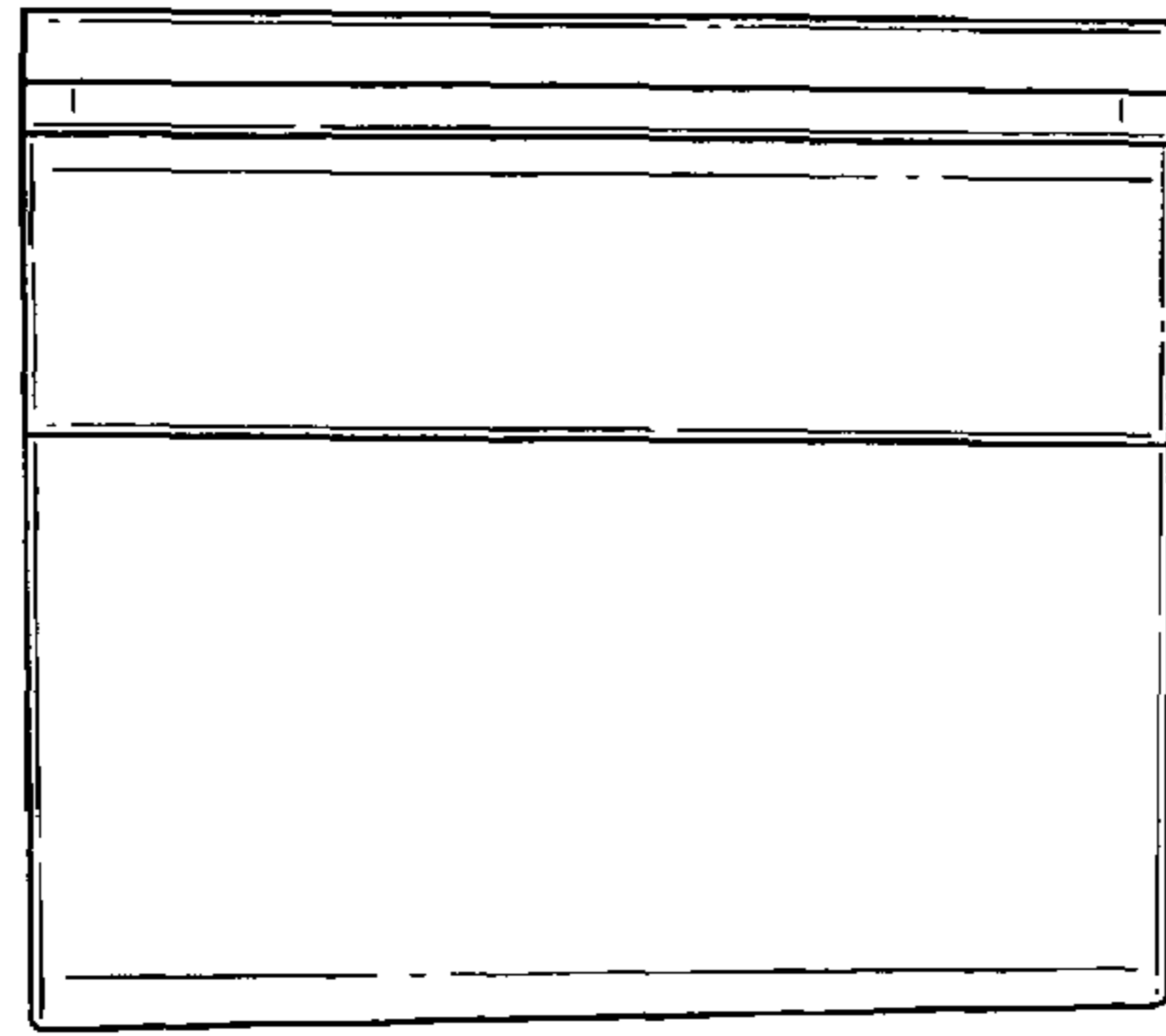


FIG.3

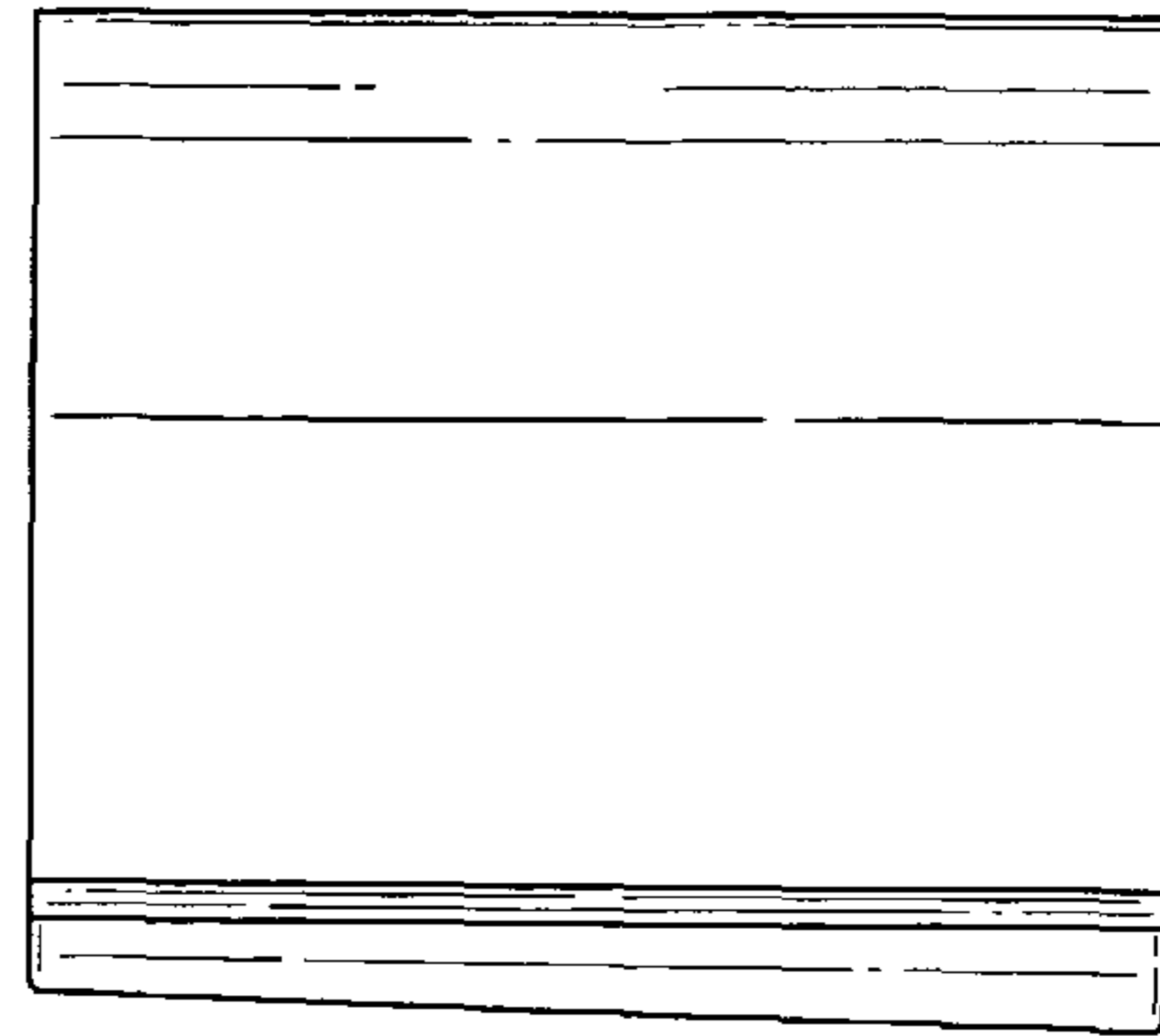


FIG.4

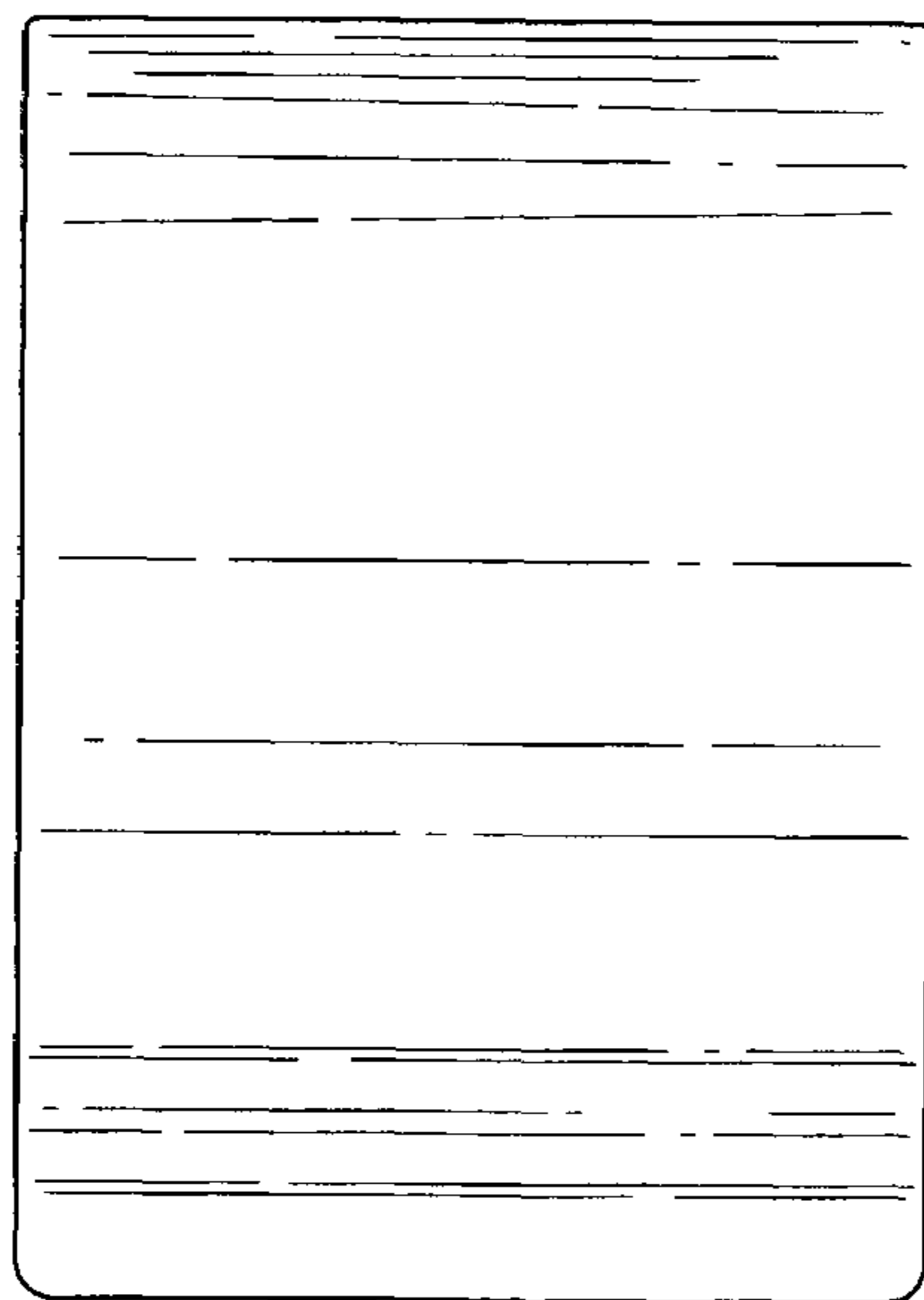


FIG.5

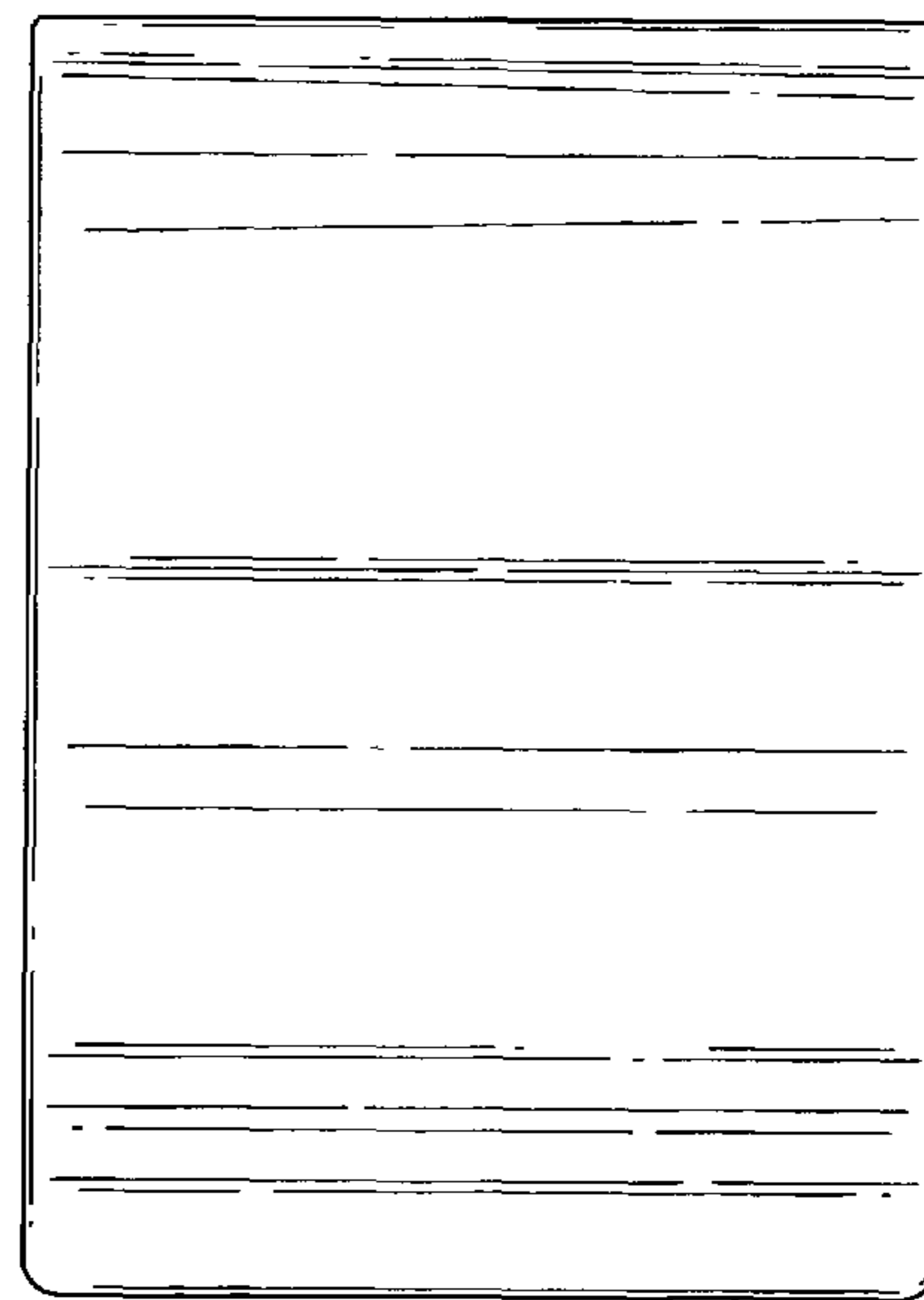


FIG.6

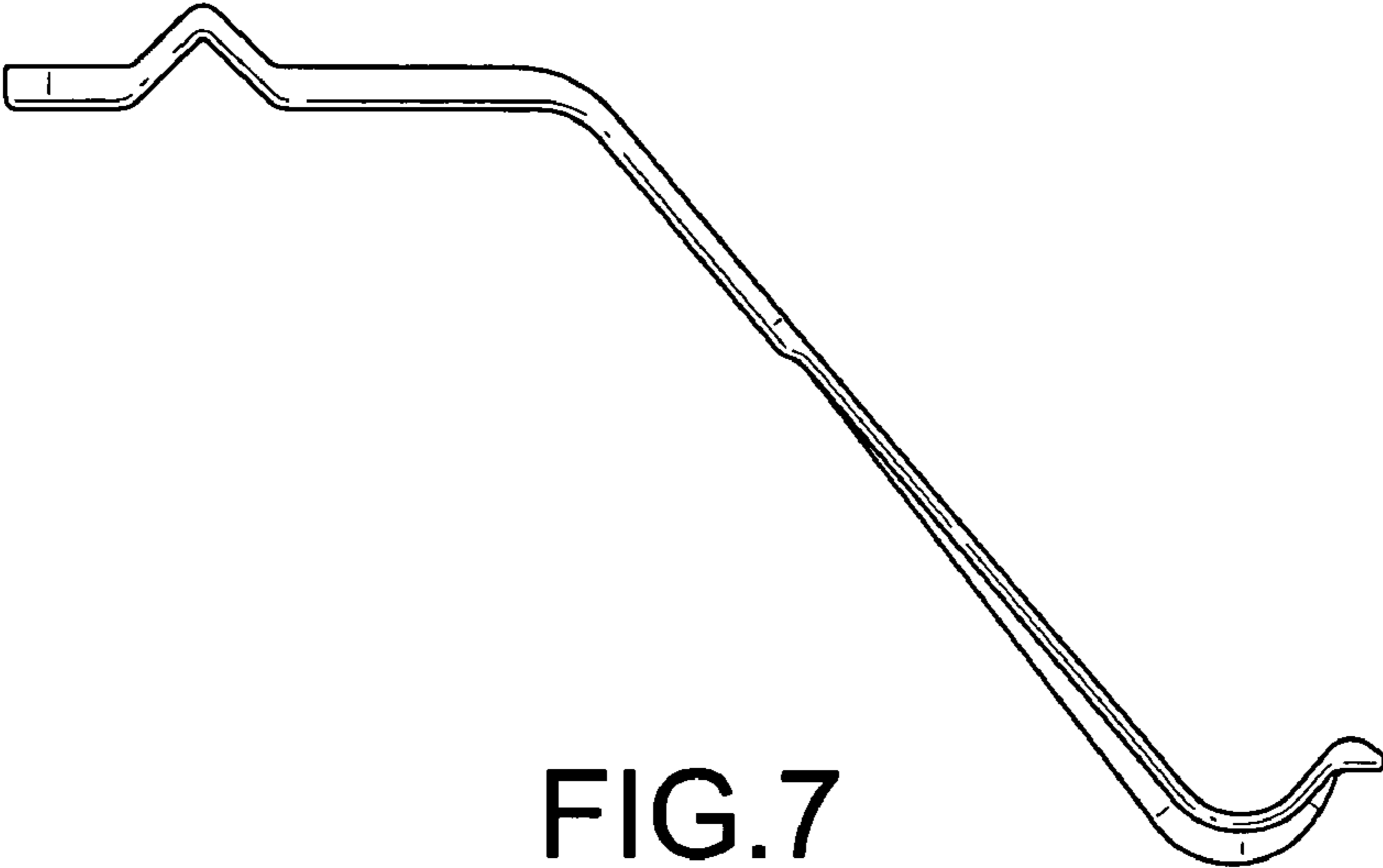


FIG. 7

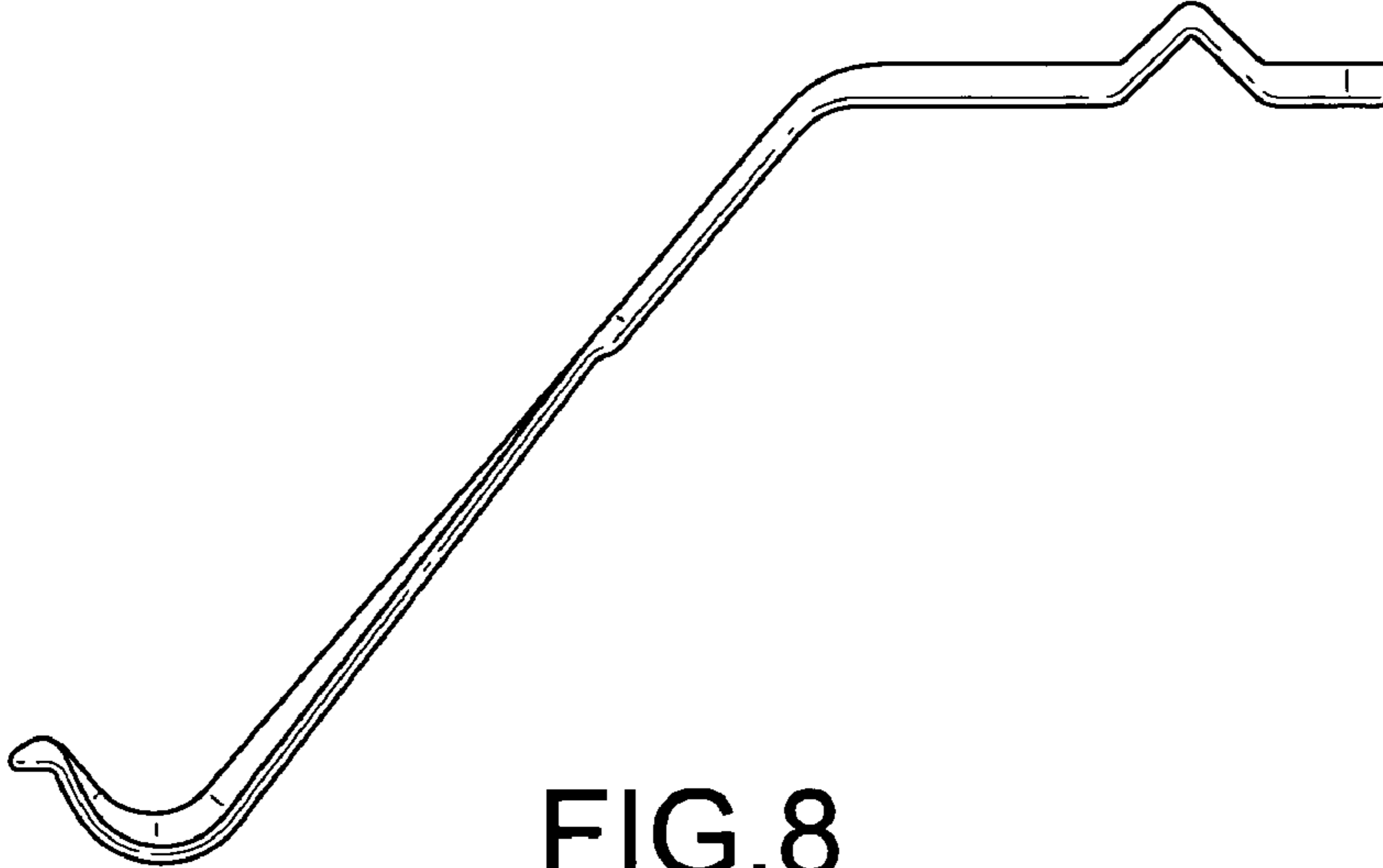


FIG. 8