



US00D582559S

(12) **United States Design Patent**
Khawaled et al.

(10) **Patent No.:** **US D582,559 S**
(45) **Date of Patent:** **** Dec. 9, 2008**

(54) **DENTAL DEVICE**

(75) Inventors: **Kamal Khawaled**, Shfaram (IL); **David Tavor**, Hod-HaSharon (IL); **Otman Zuabi**, Haifa (IL)

(73) Assignee: **Fluorinex Active Ltd.**, Yokneam Ilit (IL)

(**) Term: **14 Years**

(21) Appl. No.: **29/287,273**

(22) Filed: **Jul. 18, 2007**

(51) **LOC (8) Cl.** **24-99**

(52) **U.S. Cl.** **D24/181**

(58) **Field of Classification Search** D24/152-156,
D24/176, 112, 113, 190-192, 199, 180-182;
D28/4, 8.1, 8.2; 433/80, 90, 172-174, 193,
433/102, 3, 50, 53, 114, 141, 144, 167, 168.1,
433/196; 606/1, 2, 108, 2.5, 161; 435/141,
435/142

See application file for complete search history.

(56) **References Cited**

U.S. PATENT DOCUMENTS

3,223,085	A *	12/1965	Gores et al.	128/861
3,234,942	A *	2/1966	Simor	604/20
D229,562	S *	12/1973	Sturdivant	D24/176
D277,605	S *	2/1985	Werrin	D24/181
5,104,315	A *	4/1992	McKinley	433/80
5,211,559	A *	5/1993	Hart et al.	433/80
D403,771	S *	1/1999	Werrin	D24/181
D413,386	S *	8/1999	Werrin	D24/181
D433,138	S *	10/2000	Kesling	D24/181
D456,515	S *	4/2002	Dinu	D24/181
D464,732	S *	10/2002	Huffman	D24/176
6,752,630	B2 *	6/2004	Roetzer	433/140

D512,148	S *	11/2005	Kwok	D24/181
D521,150	S *	5/2006	Kwok	D24/181
D528,208	S *	9/2006	Moriyama	D24/152
D529,177	S *	9/2006	Huffman	D24/176
D529,178	S *	9/2006	Huffman	D24/176

* cited by examiner

Primary Examiner—Charles A. Rademaker

Assistant Examiner—Charles D Hanson

(74) *Attorney, Agent, or Firm*—Martin Fleit; Paul D. Bianco; Fleit Gibbons Gutman Bongini & Bianco PL

(57) **CLAIM**

The ornamental design for a dental device, as shown and described.

DESCRIPTION

FIG. 1 is a top view of a dental device showing our new design;

FIG. 2 is a front view thereof;

FIG. 3 is a bottom view thereof;

FIG. 4 is a right side view thereof;

FIG. 5 is a rear view thereof;

FIG. 6 is a left side view thereof;

FIG. 7 is a perspective view thereof;

FIG. 8 is a front view of the design of FIG. 1 shown in a disassembled position;

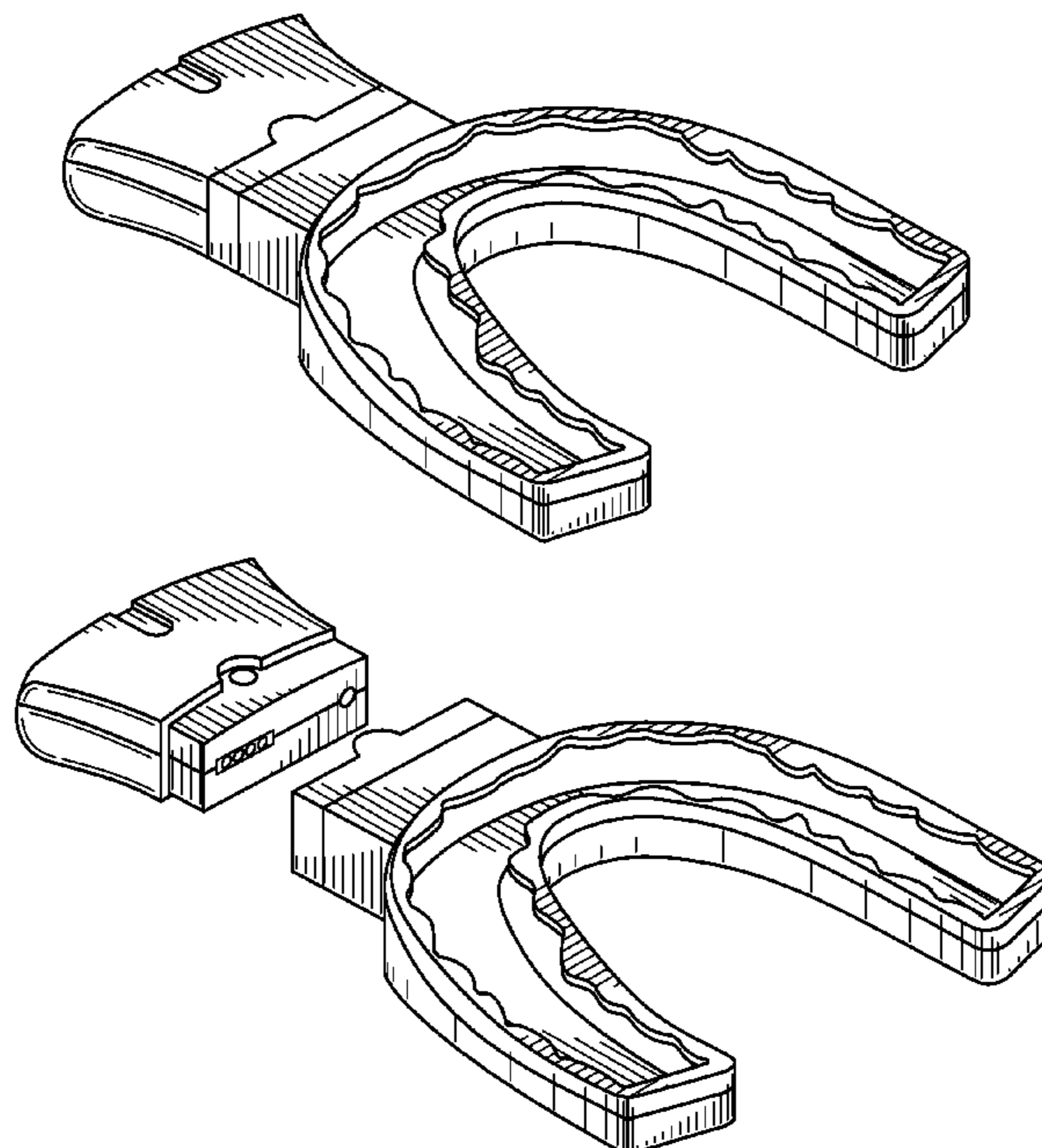
FIG. 9 is a right side view of FIG. 8;

FIG. 10 is a rear view of FIG. 8;

FIG. 11 is a left side view of FIG. 8; and,

FIG. 12 is a perspective view of FIG. 8.

1 Claim, 6 Drawing Sheets



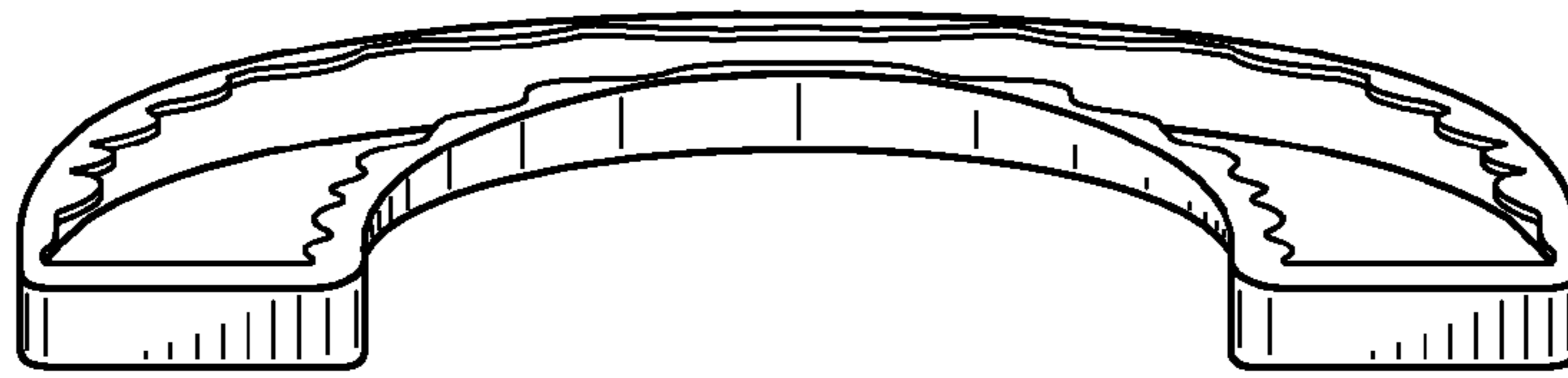


Fig. 1

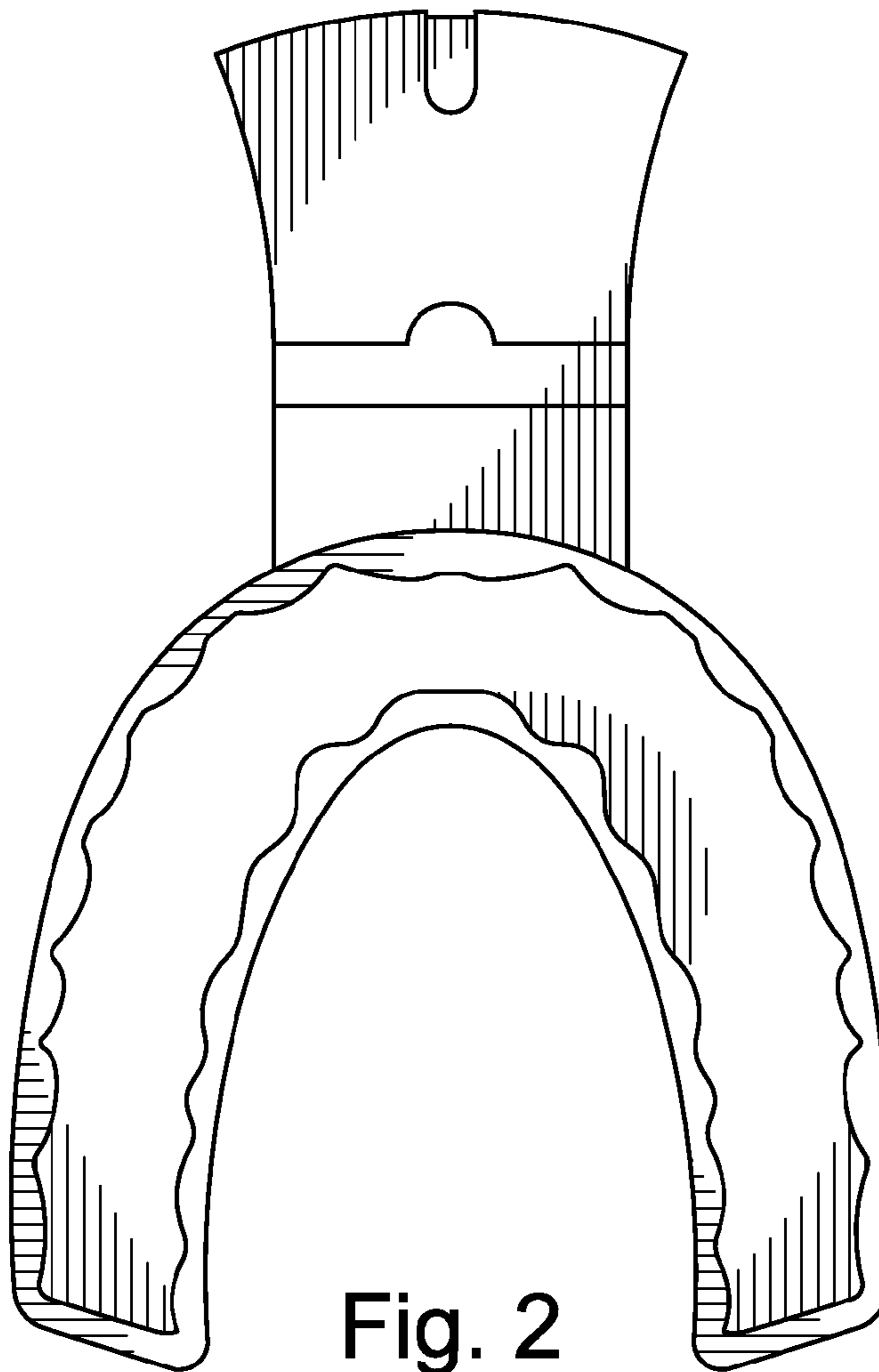


Fig. 2

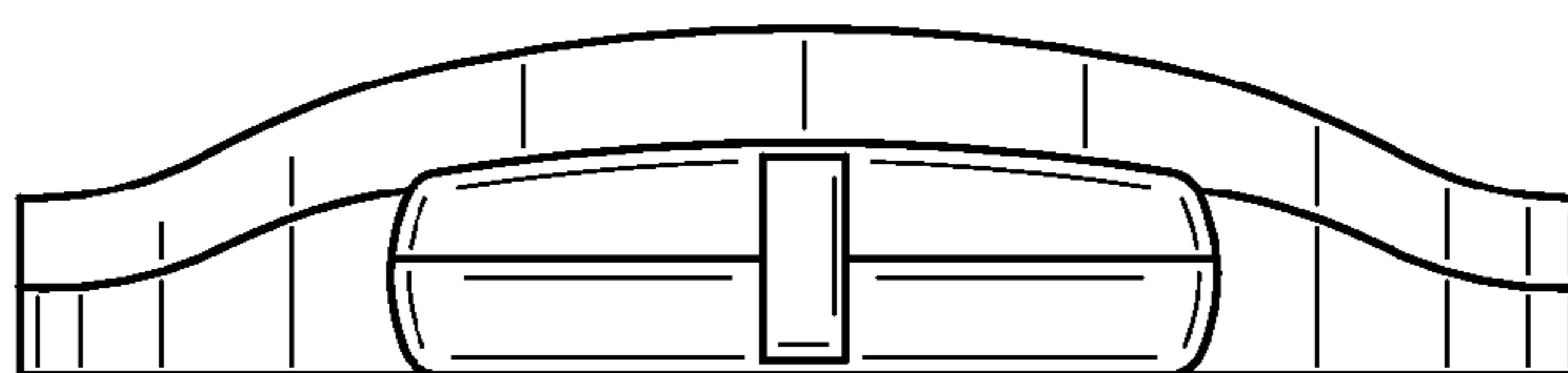


Fig. 3

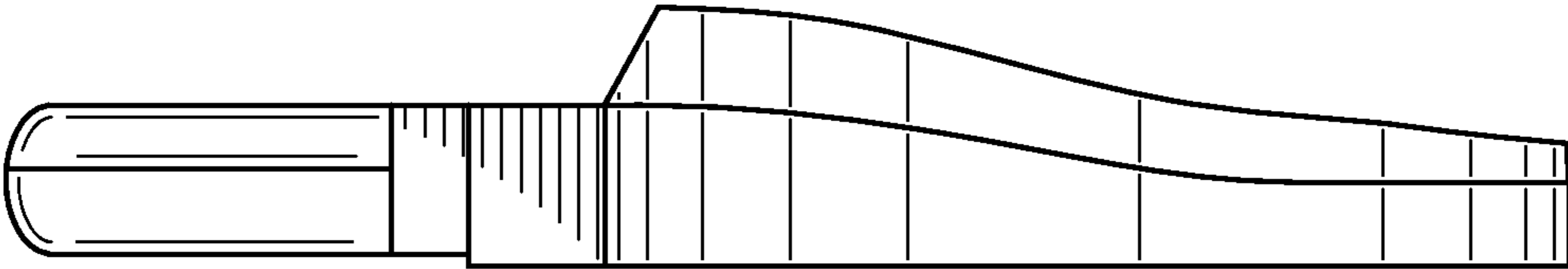


Fig. 4

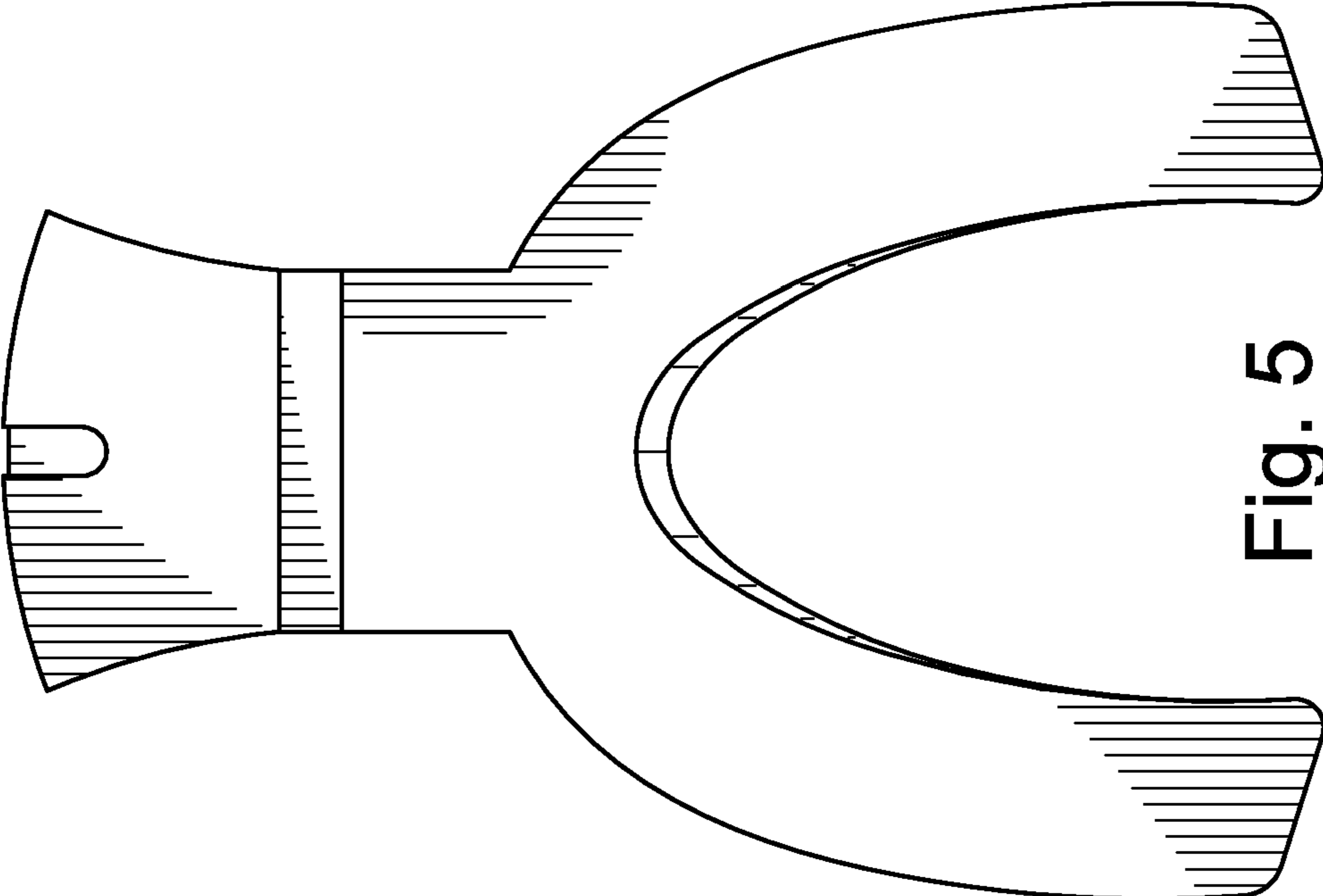


Fig. 5

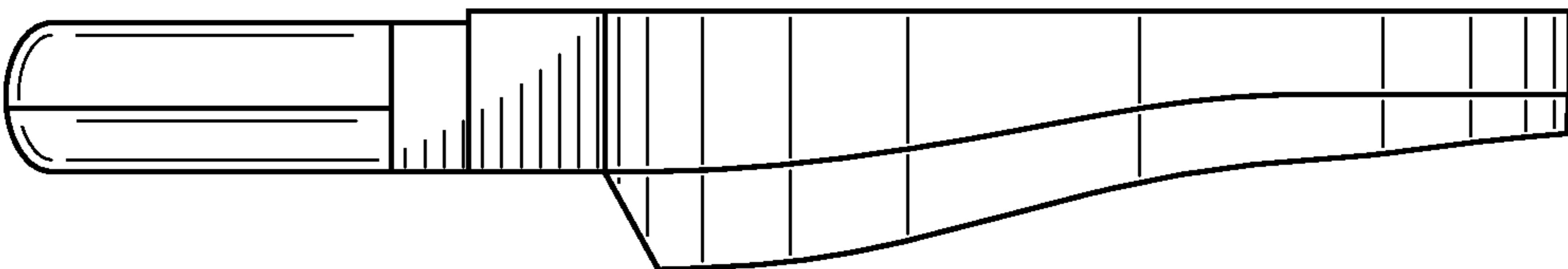


Fig. 6

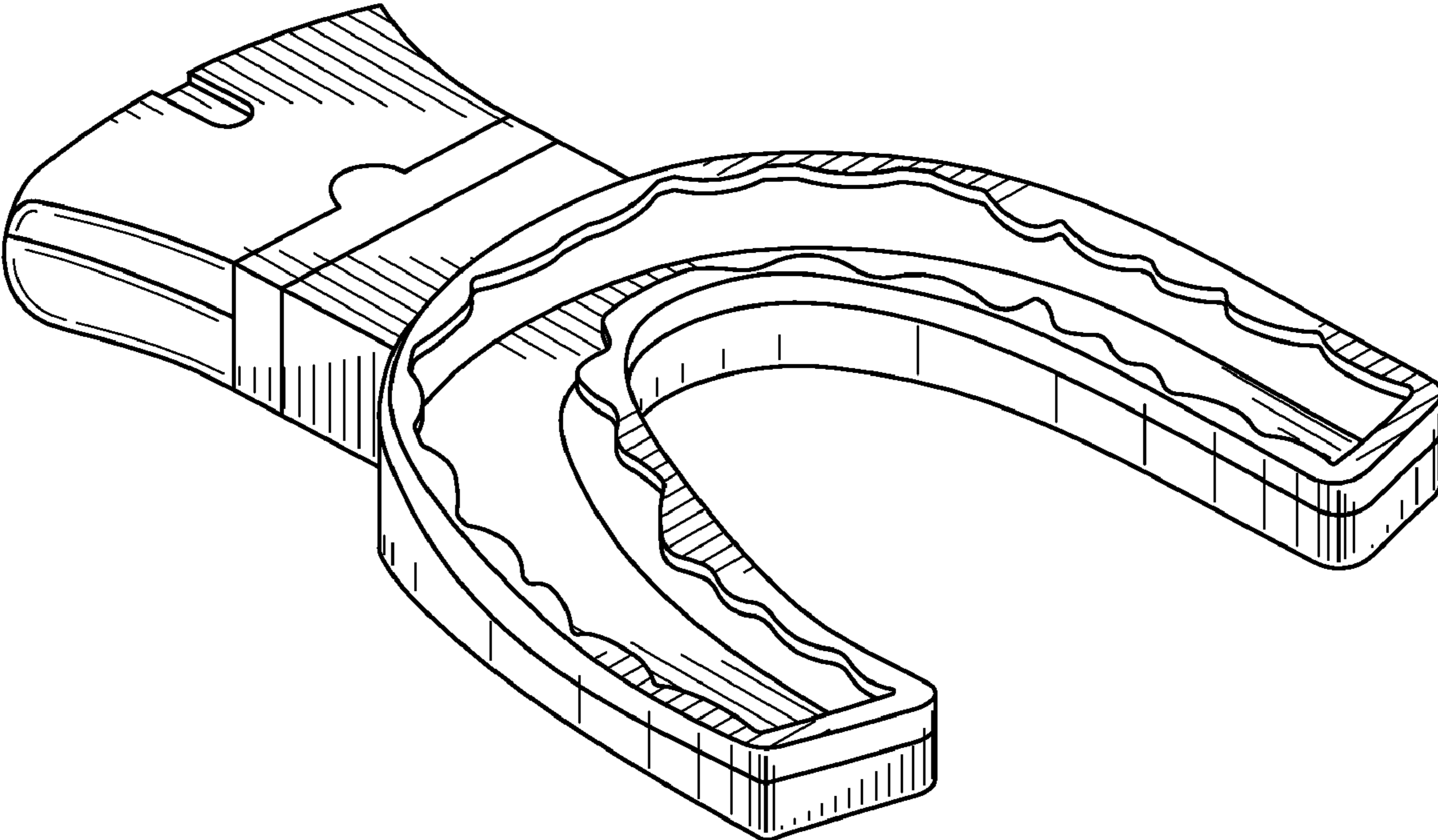


Fig. 7

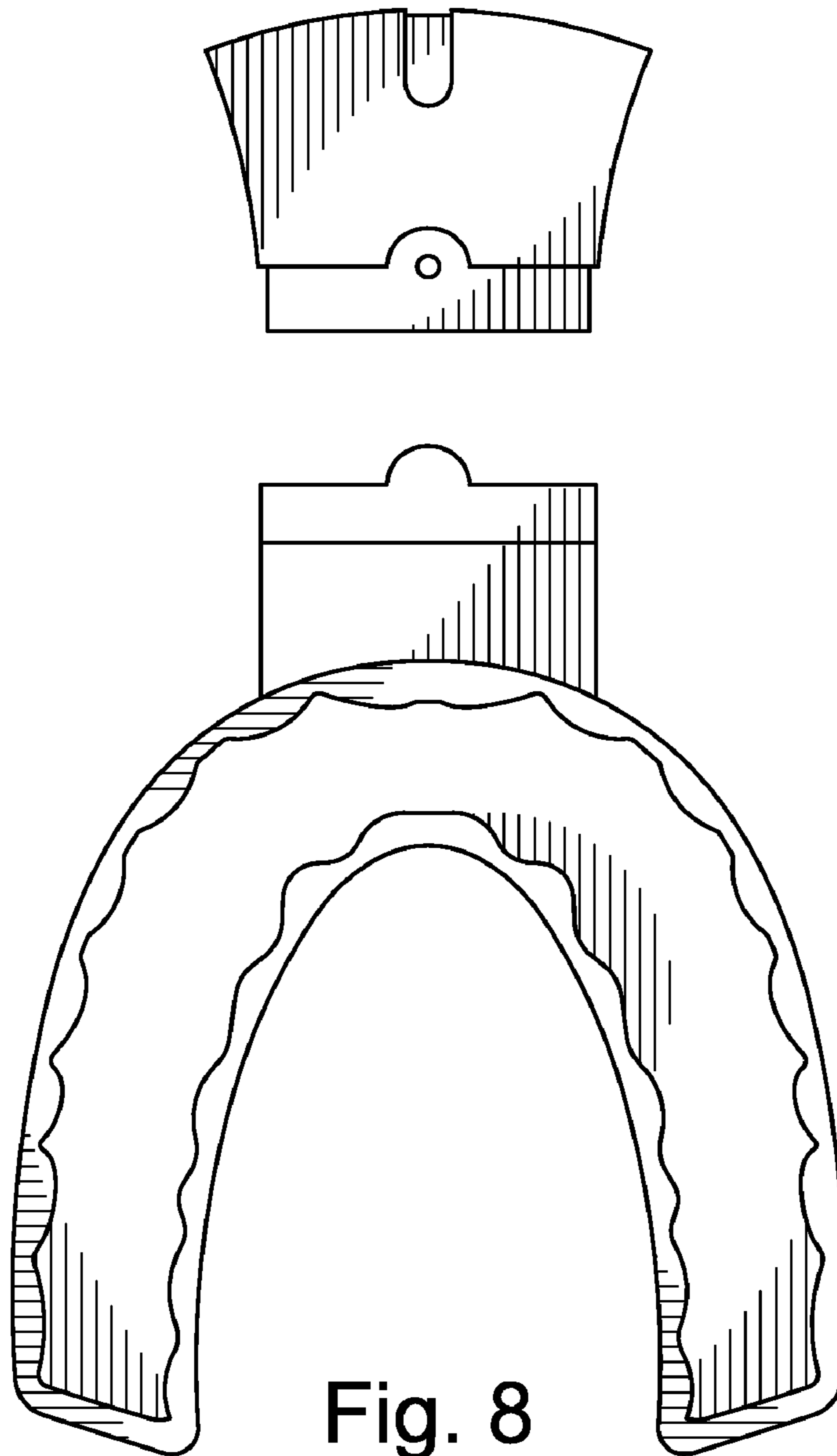


Fig. 8

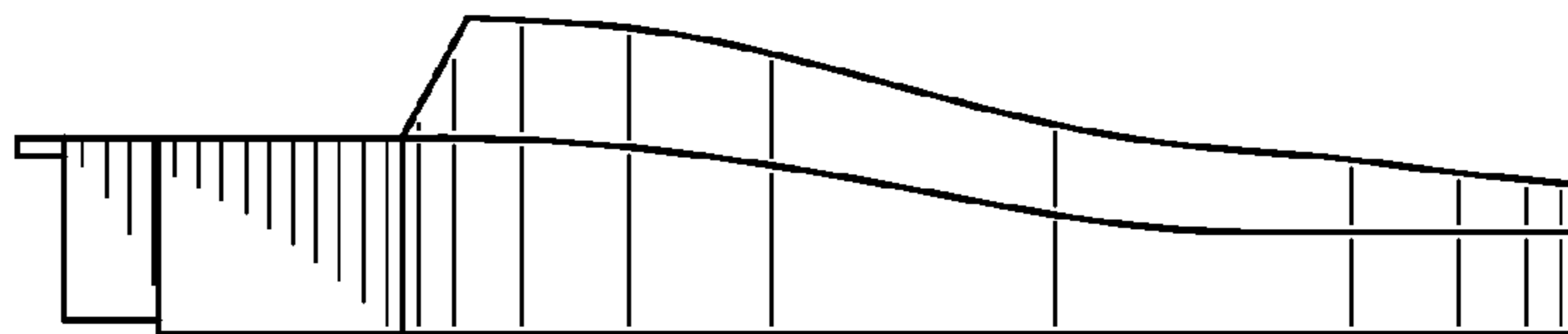
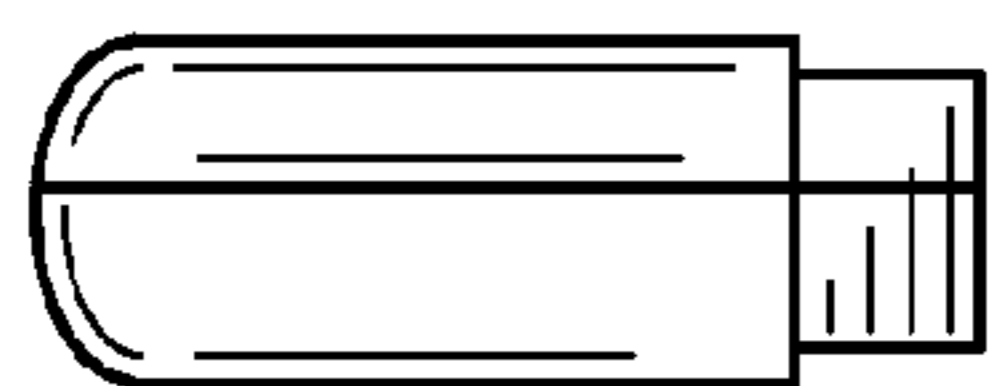


Fig. 11

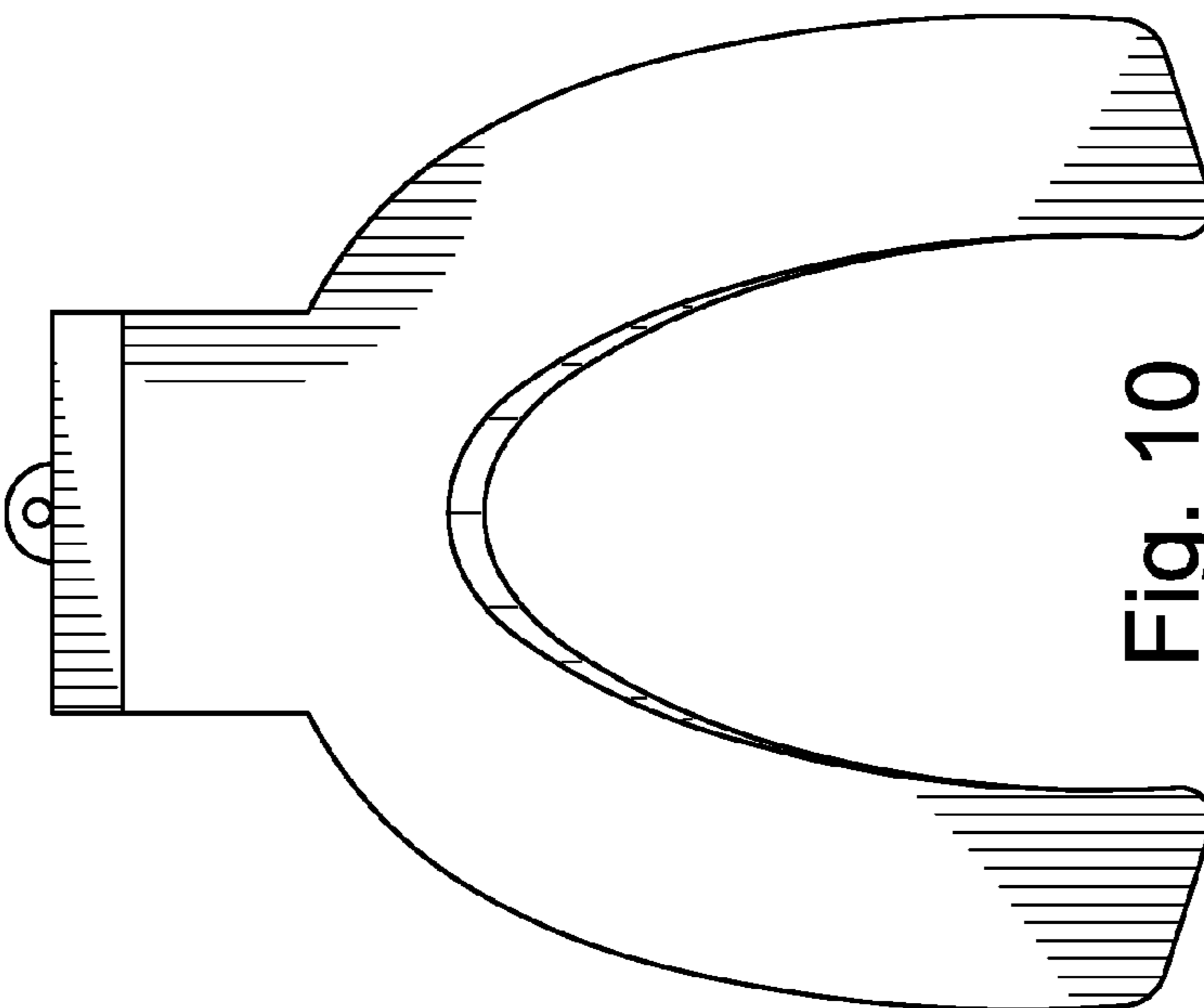
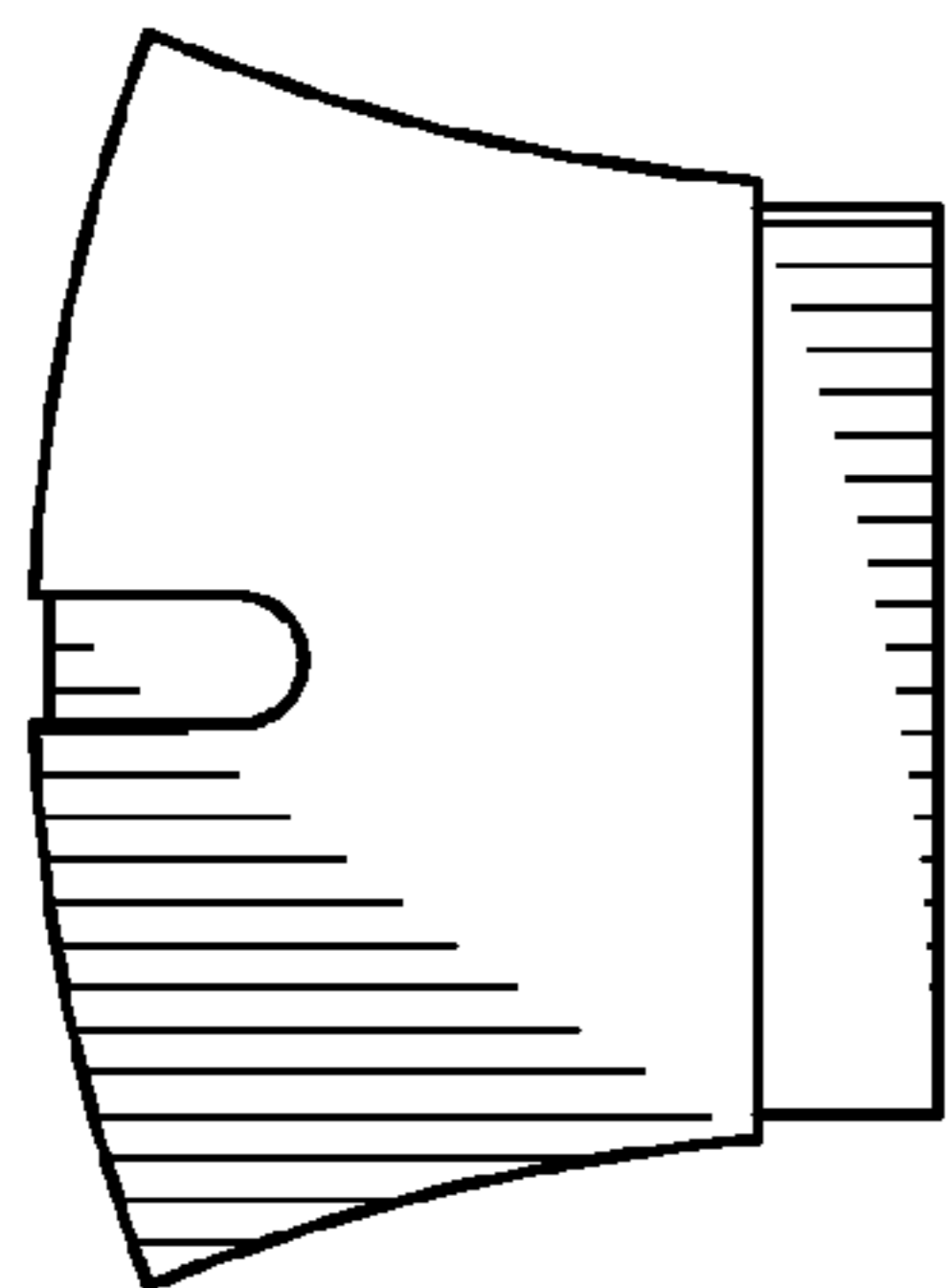


Fig. 10

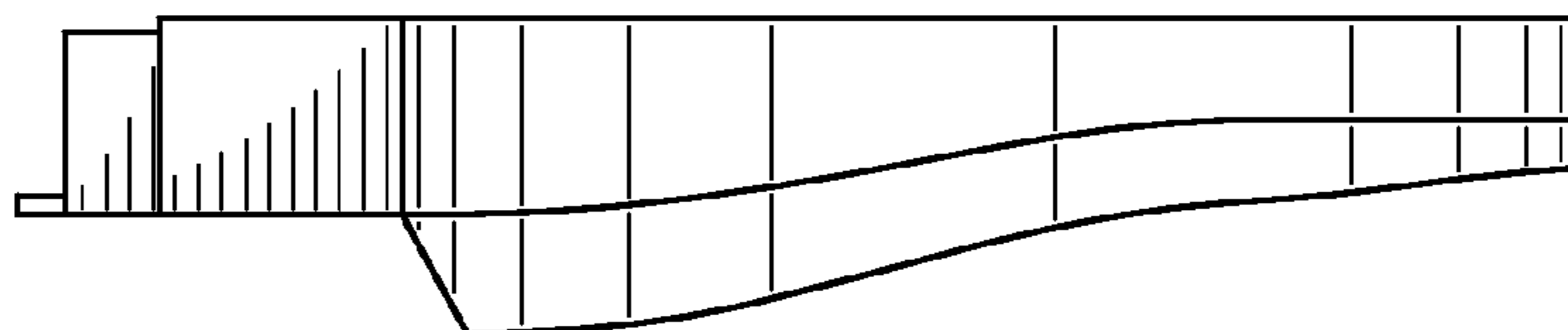
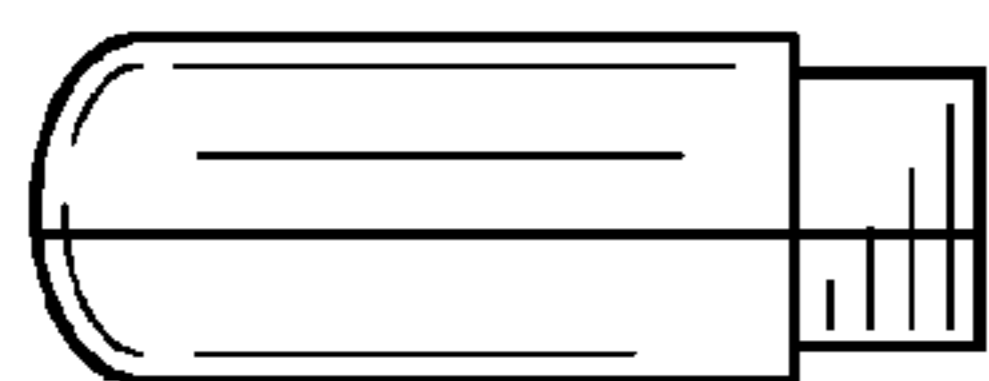


Fig. 9

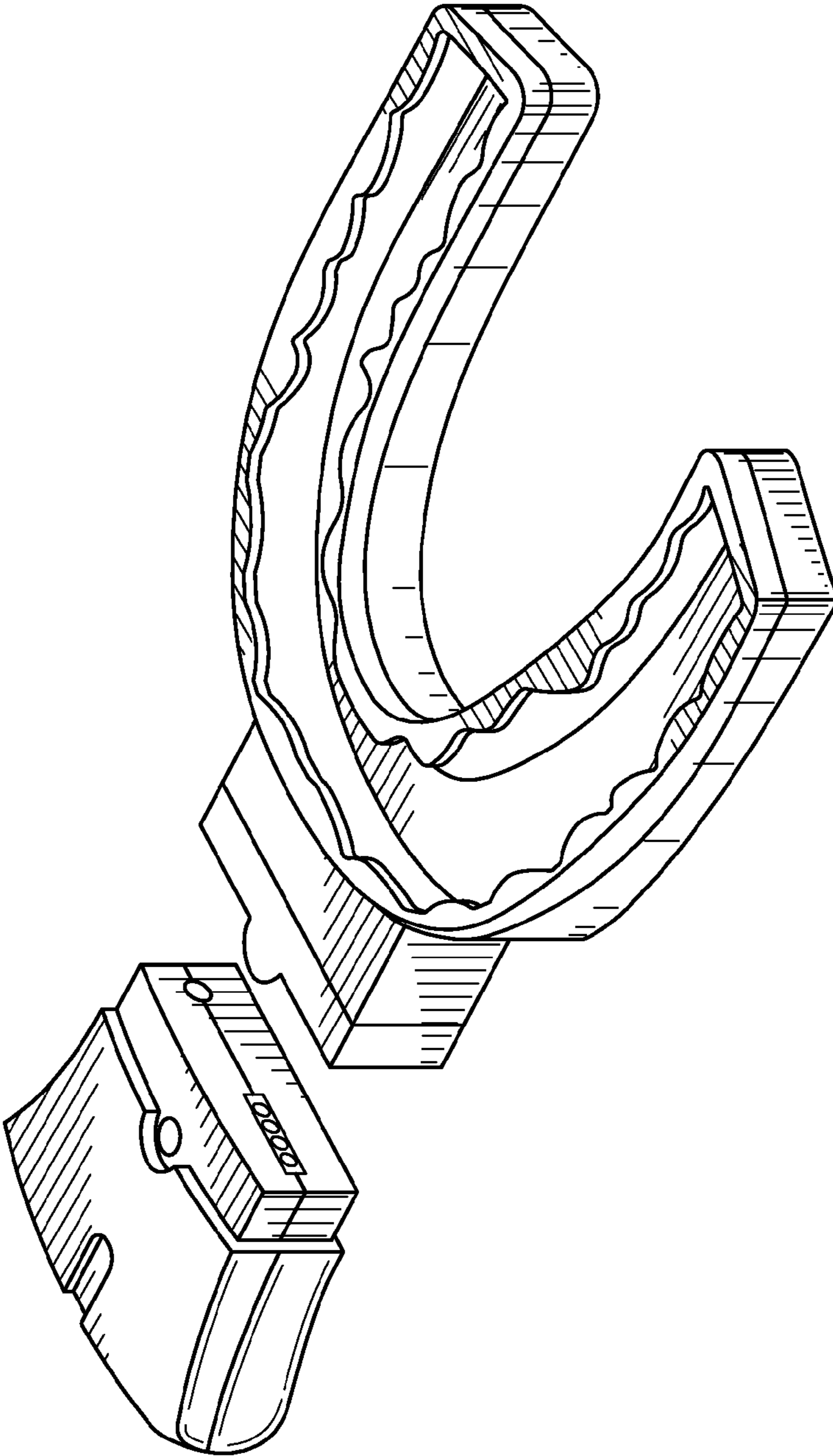


Fig. 12