



US00D582556S

(12) **United States Design Patent**
Yamaoka

(10) **Patent No.:** **US D582,556 S**
(45) **Date of Patent:** **** Dec. 9, 2008**

(54) **FUNDUS CAMERA**

(75) Inventor: **Masashi Yamaoka**, Itabashi-ku (JP)

(73) Assignee: **Kabushiki Kaisha Topcon**, Tokyo (JP)

(**) Term: **14 Years**

(21) Appl. No.: **29/259,047**

(22) Filed: **May 2, 2006**

(51) **LOC (8) Cl.** **24-01**

(52) **U.S. Cl.** **D24/172; D16/200**

(58) **Field of Classification Search** D24/150,
D24/137, 172; D16/200, 131, 136; 351/200,
351/221, 210, 206-208; 396/18; 606/4
See application file for complete search history.

(56) **References Cited**

U.S. PATENT DOCUMENTS

D288,822	S *	3/1987	Cyujou et al.	D16/200
5,594,512	A *	1/1997	Yoneda et al.	351/206
6,082,859	A *	7/2000	Okashita et al.	351/206
6,685,317	B2 *	2/2004	Su et al.	351/206
7,147,328	B2 *	12/2006	Sugino et al.	351/206
2005/0237486	A1 *	10/2005	Su et al.	351/206
2006/0268230	A1 *	11/2006	Kogawa et al.	351/206

2007/0132952 A1* 6/2007 Davis 351/208

FOREIGN PATENT DOCUMENTS

JP 1024225 10/1998

* cited by examiner

Primary Examiner—Ian Simmons

Assistant Examiner—Wan Laymon

(74) *Attorney, Agent, or Firm*—Jacobson Holman PLLC

(57) **CLAIM**

The ornamental design for a fundus camera, as shown and described.

DESCRIPTION

FIG. 1 is a front perspective view of a fundus camera;

FIG. 2 is a front view thereof;

FIG. 3 is a rear view thereof;

FIG. 4 is a left side view thereof;

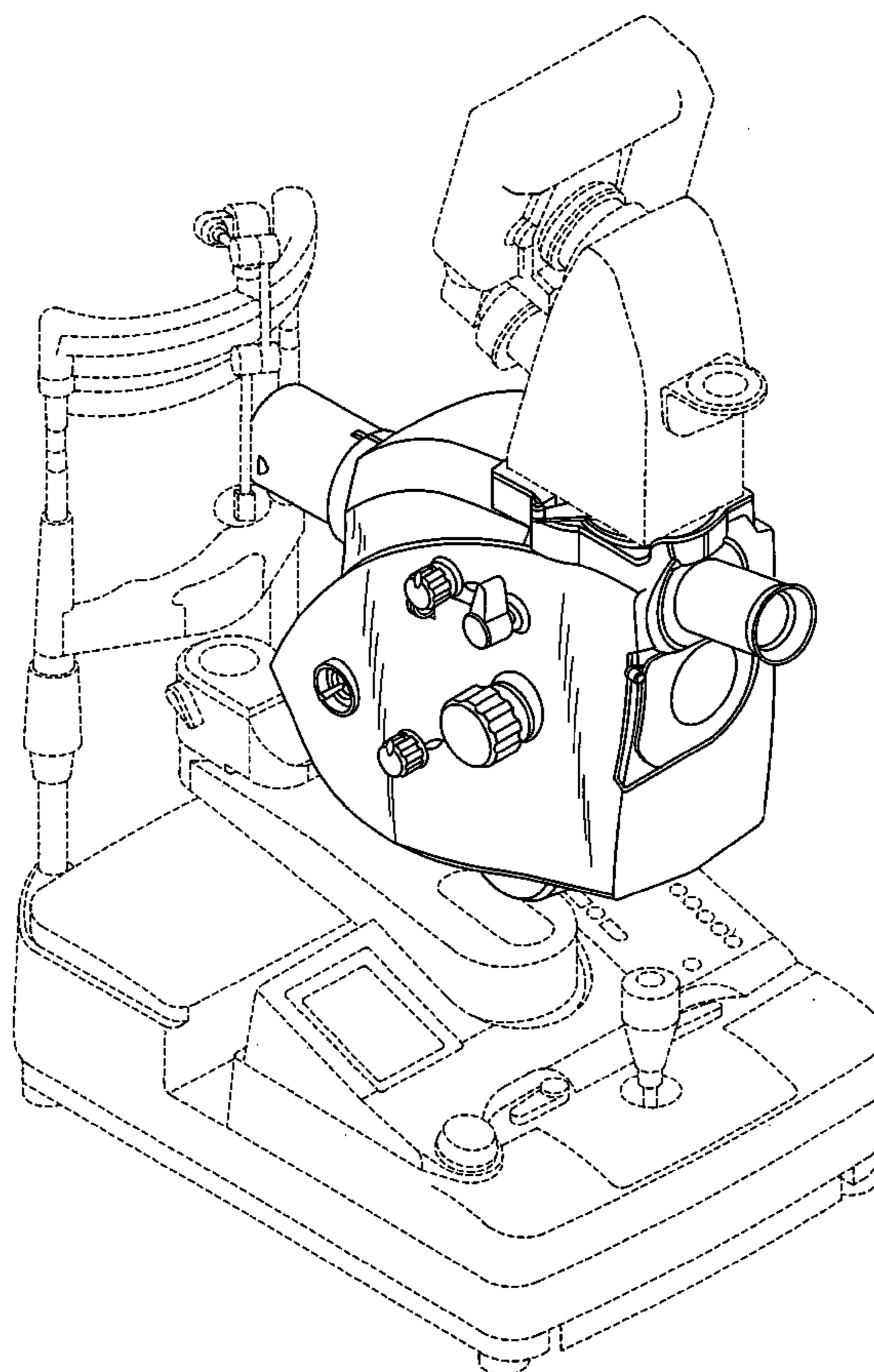
FIG. 5 is a right side view thereof;

FIG. 6 is a top plan view thereof; and,

FIG. 7 is a bottom view thereof.

The broken lines in the Figures are for illustrative purpose only and forms no part of the claimed design.

1 Claim, 7 Drawing Sheets



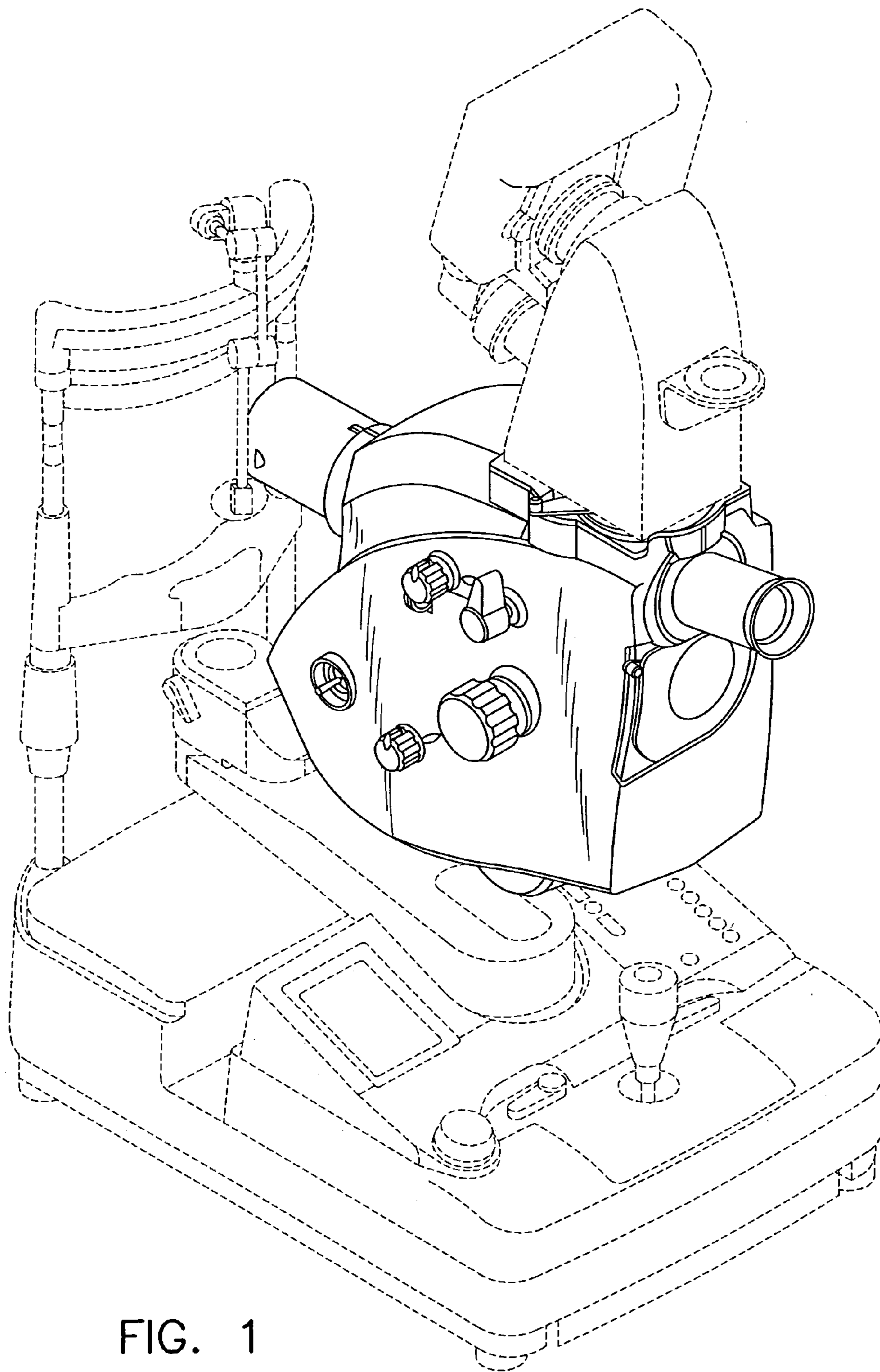


FIG. 1

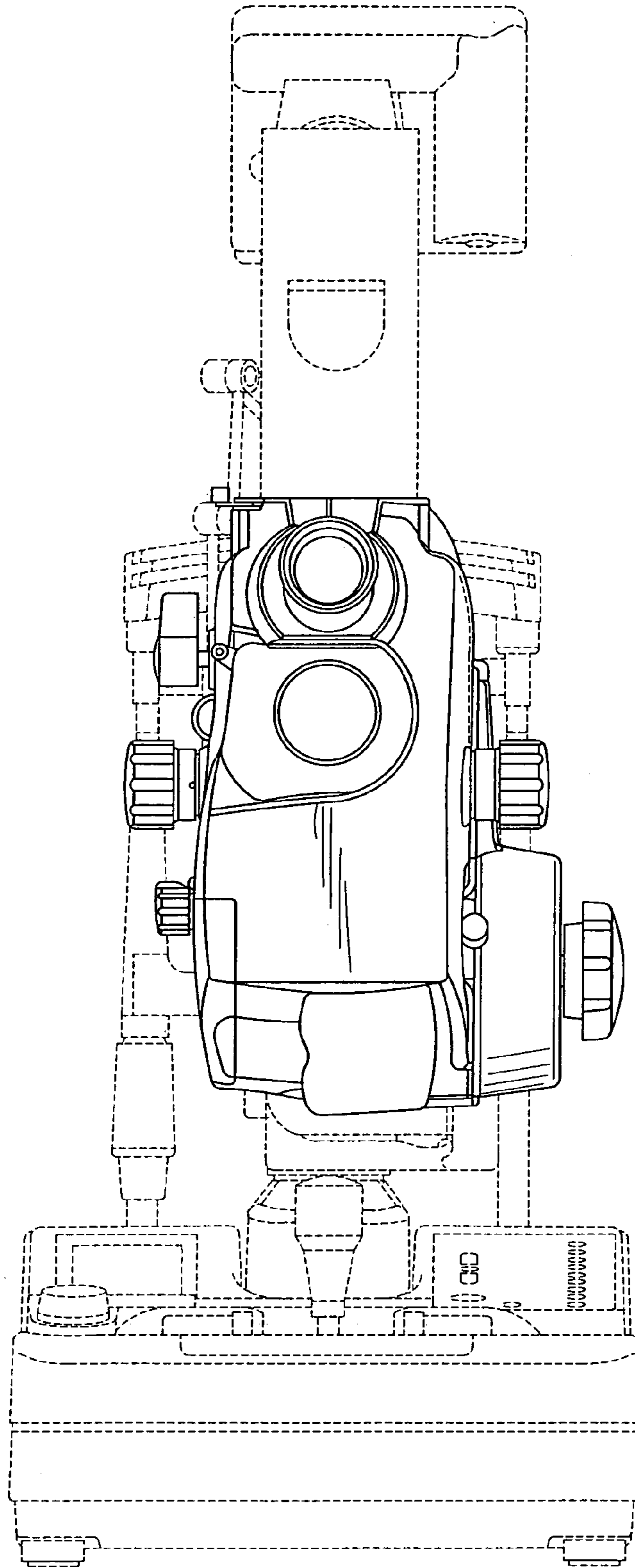


FIG. 2

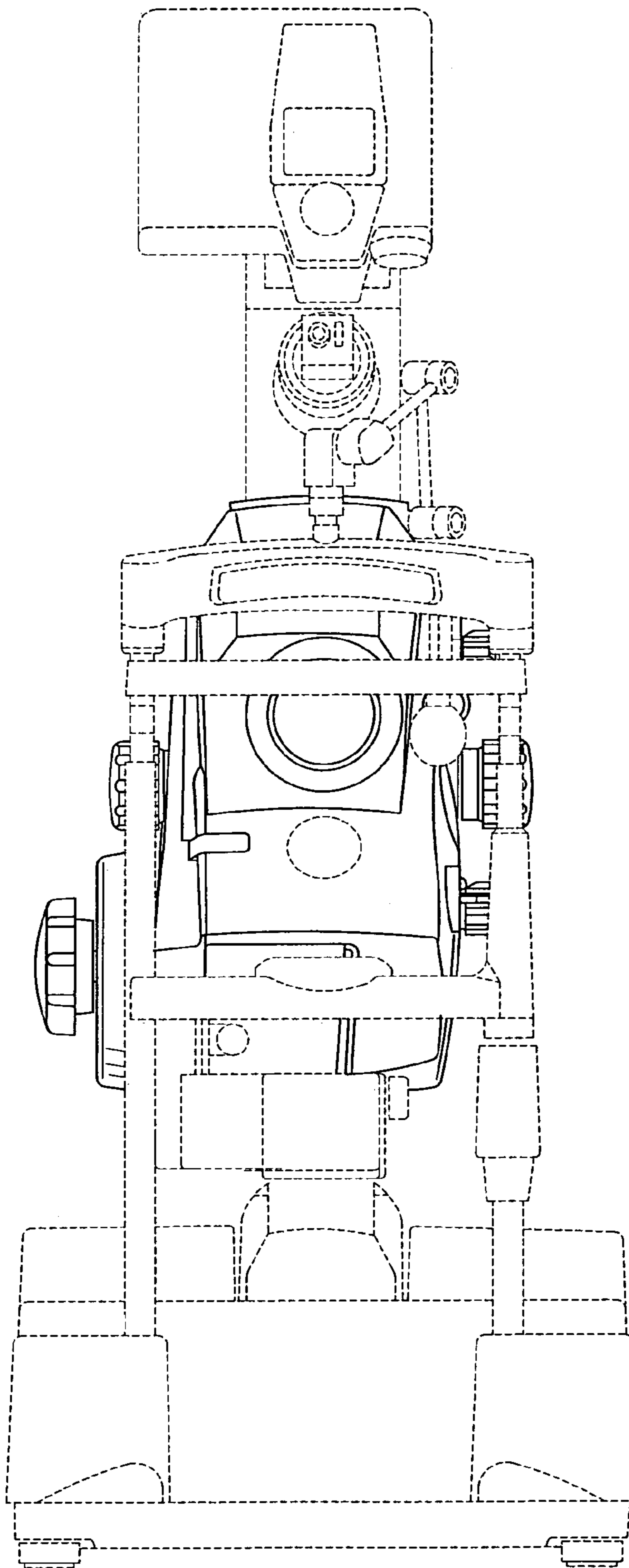


FIG. 3

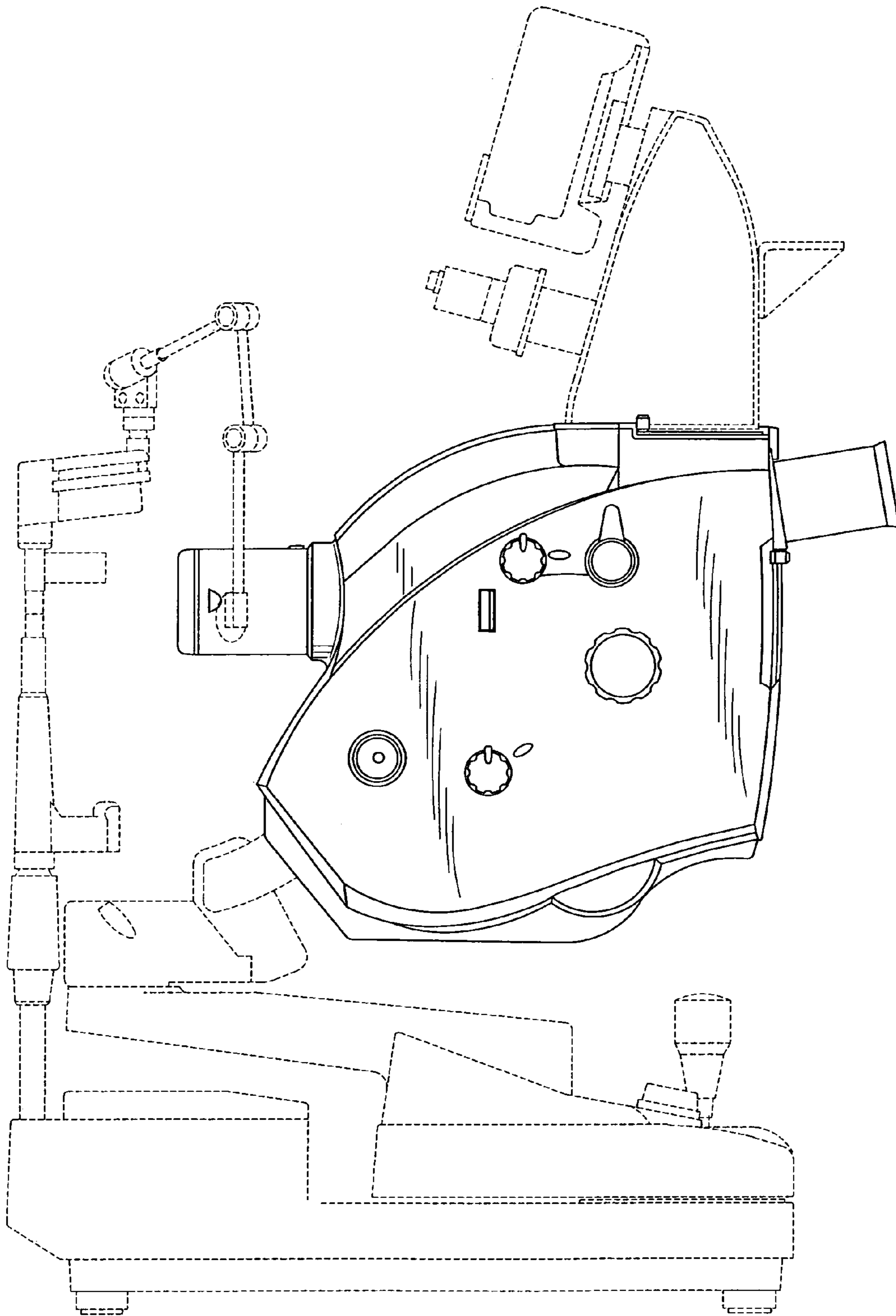


FIG. 4

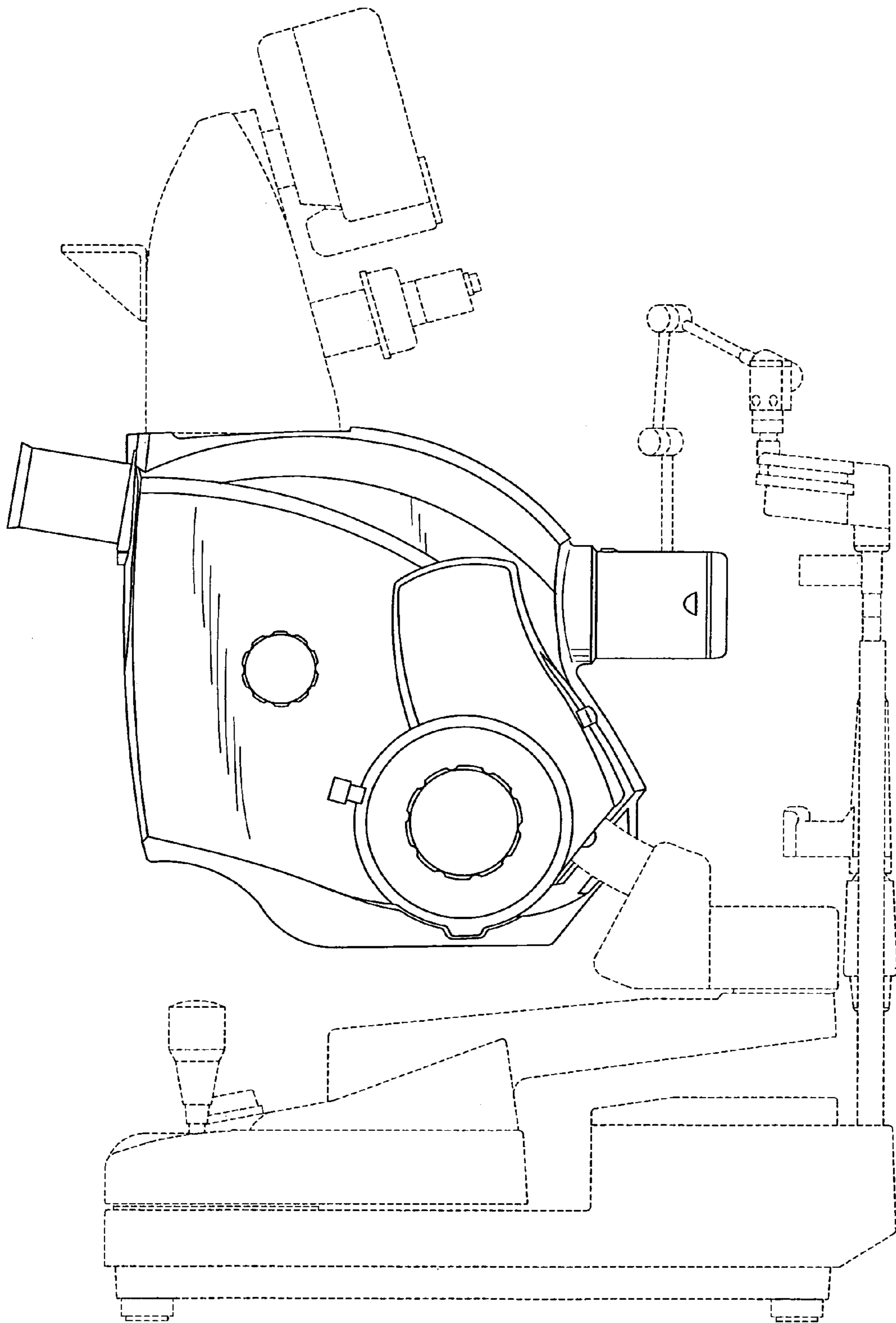


FIG. 5

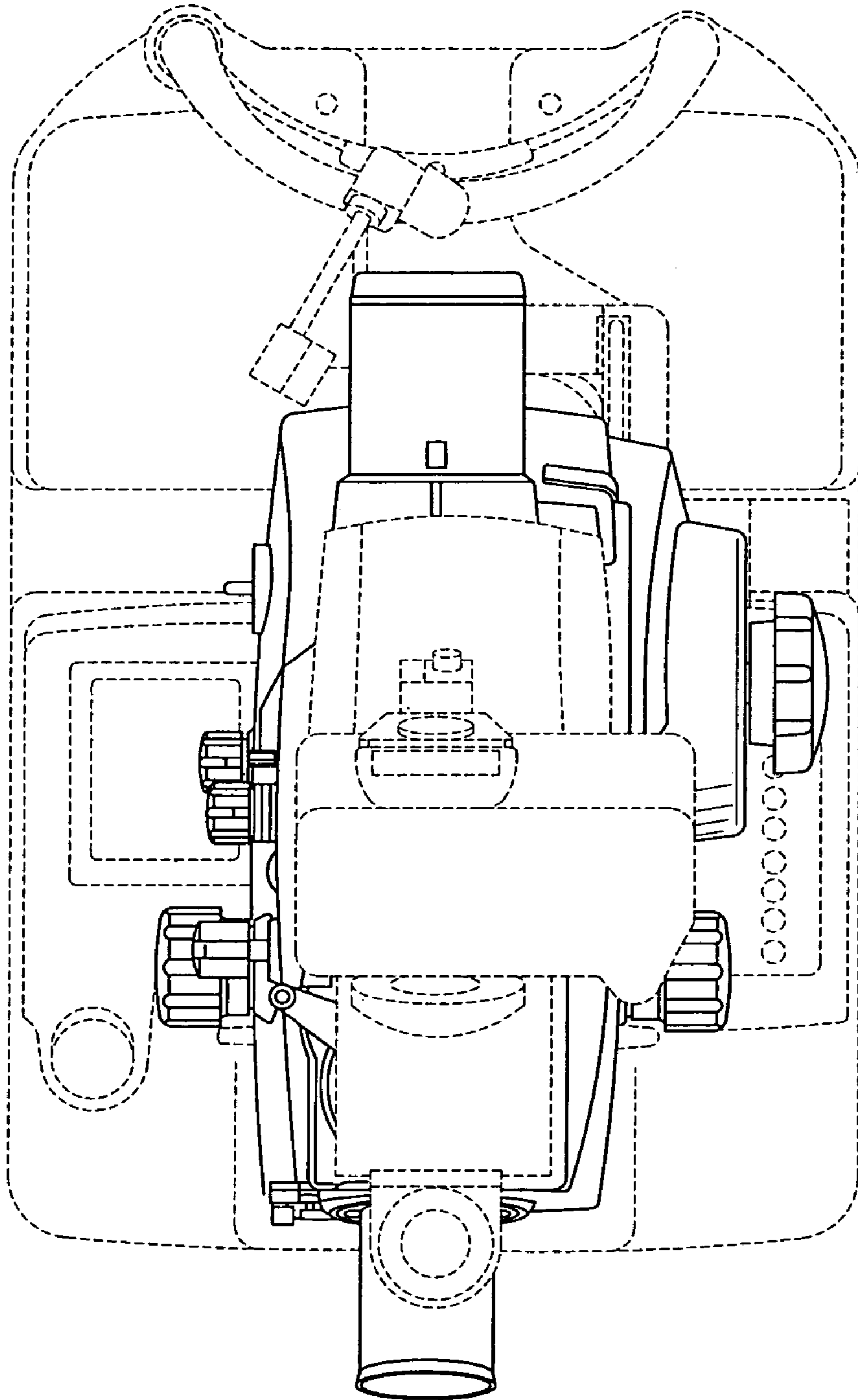


FIG. 6

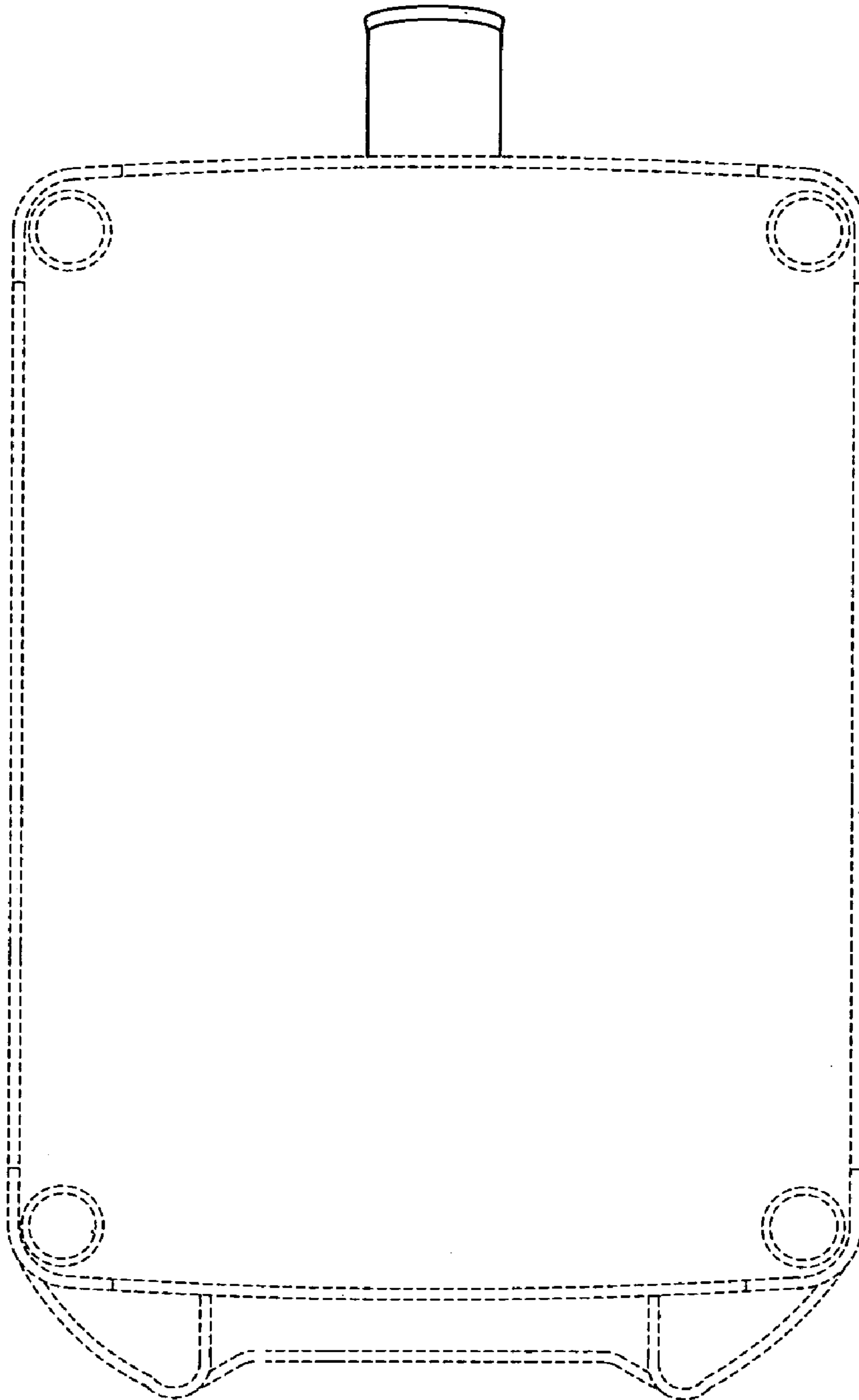


FIG. 7