



US00D582555S

(12) **United States Design Patent**
Osypka

(10) **Patent No.:** **US D582,555 S**
(45) **Date of Patent:** **** Dec. 9, 2008**

(54) **EXTENSION CABLE SEPARATOR**

(75) Inventor: **Thomas P. Osypka**, Palm Harbor, FL (US)

(73) Assignee: **Oscor Inc.**, Palm Harbor, FL (US)

(**) Term: **14 Years**

(21) Appl. No.: **29/292,935**

(22) Filed: **Nov. 1, 2007**

(51) **LOC (8) Cl.** **24-01**

(52) **U.S. Cl.** **D24/167**

(58) **Field of Classification Search** D24/165-169, D24/186, 187; D13/153, 154; 607/4, 5, 607/9, 30, 36, 37, 39, 40, 41, 138; 248/65, 248/69, 68.1; D8/354-356, 364
See application file for complete search history.

(56) **References Cited**

U.S. PATENT DOCUMENTS

D376,427	S *	12/1996	Mahoney	D24/168
5,904,587	A	5/1999	Osypka et al.		
6,095,983	A *	8/2000	Wawro	D24/186
6,428,368	B1 *	8/2002	Hawkins et al.	439/271
D505,858	S *	6/2005	O'Keene	D8/355
7,059,878	B1	6/2006	Hendrixson		

D526,278	S *	8/2006	Heary, Sr.	D13/154
7,204,703	B1	4/2007	Hendrixson		
D543,631	S *	5/2007	Cullen et al.	D24/167
2002/0116035	A1 *	8/2002	Klehn	607/37

* cited by examiner

Primary Examiner—Louis S Zarfaz

Assistant Examiner—Anhdao Doan

(74) *Attorney, Agent, or Firm*—Scott D. Wofsy; Edwards Angell Palmer & Dodge LLP

(57) **CLAIM**

The ornamental design for an extension cable separator, as shown and described.

DESCRIPTION

FIG. 1 is a perspective view of an extension cable separator showing my new design;

FIG. 2 is a top view thereof;

FIG. 3 is a front view thereof;

FIG. 4 is a rear view thereof; and,

FIG. 5 is a side view thereof.

The broken line showing of the front and rear bore holes is included for the purpose of illustrating a portion of the extension cable separator that forms no part of the claimed design.

1 Claim, 1 Drawing Sheet

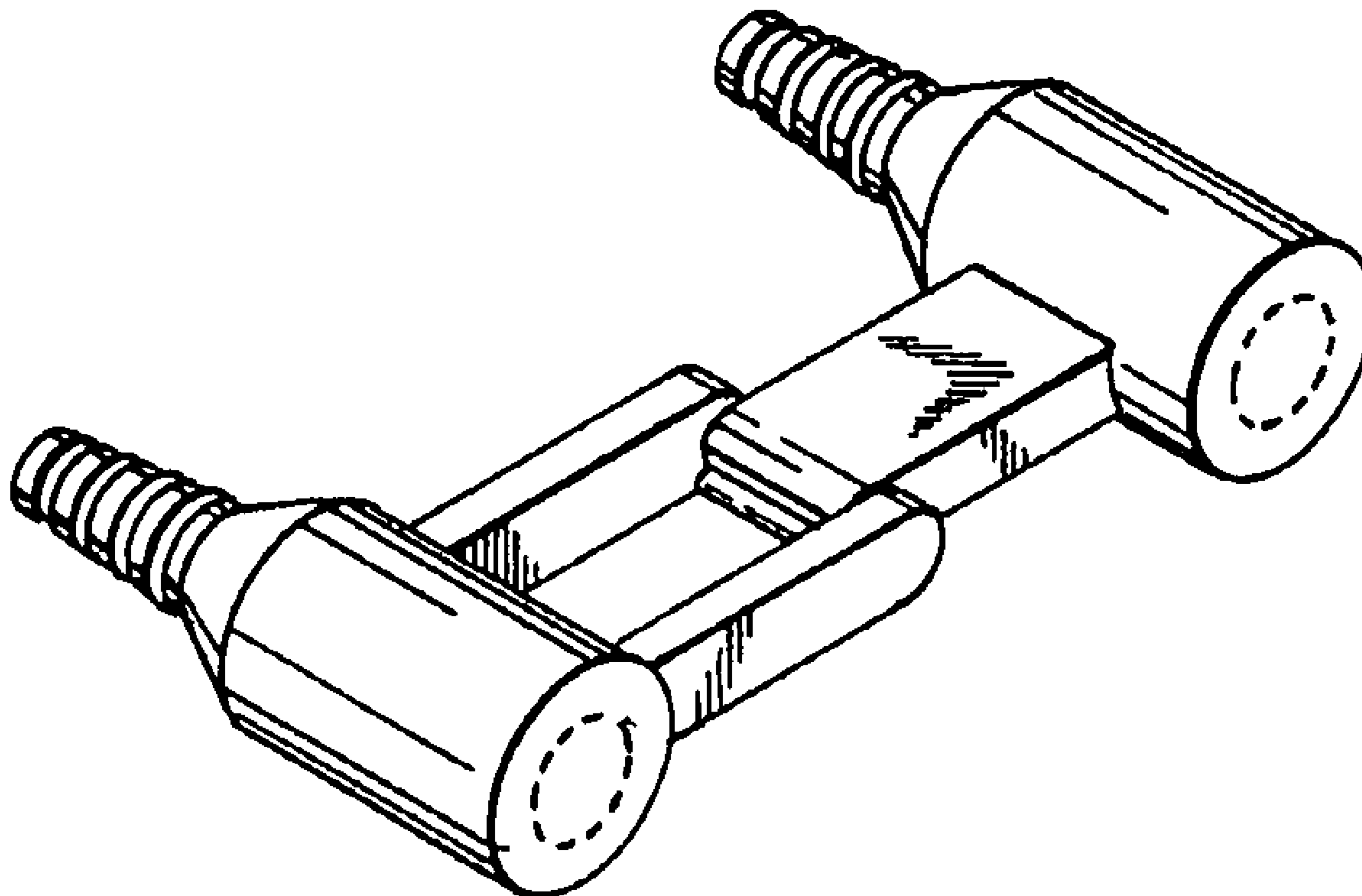


Fig. 1

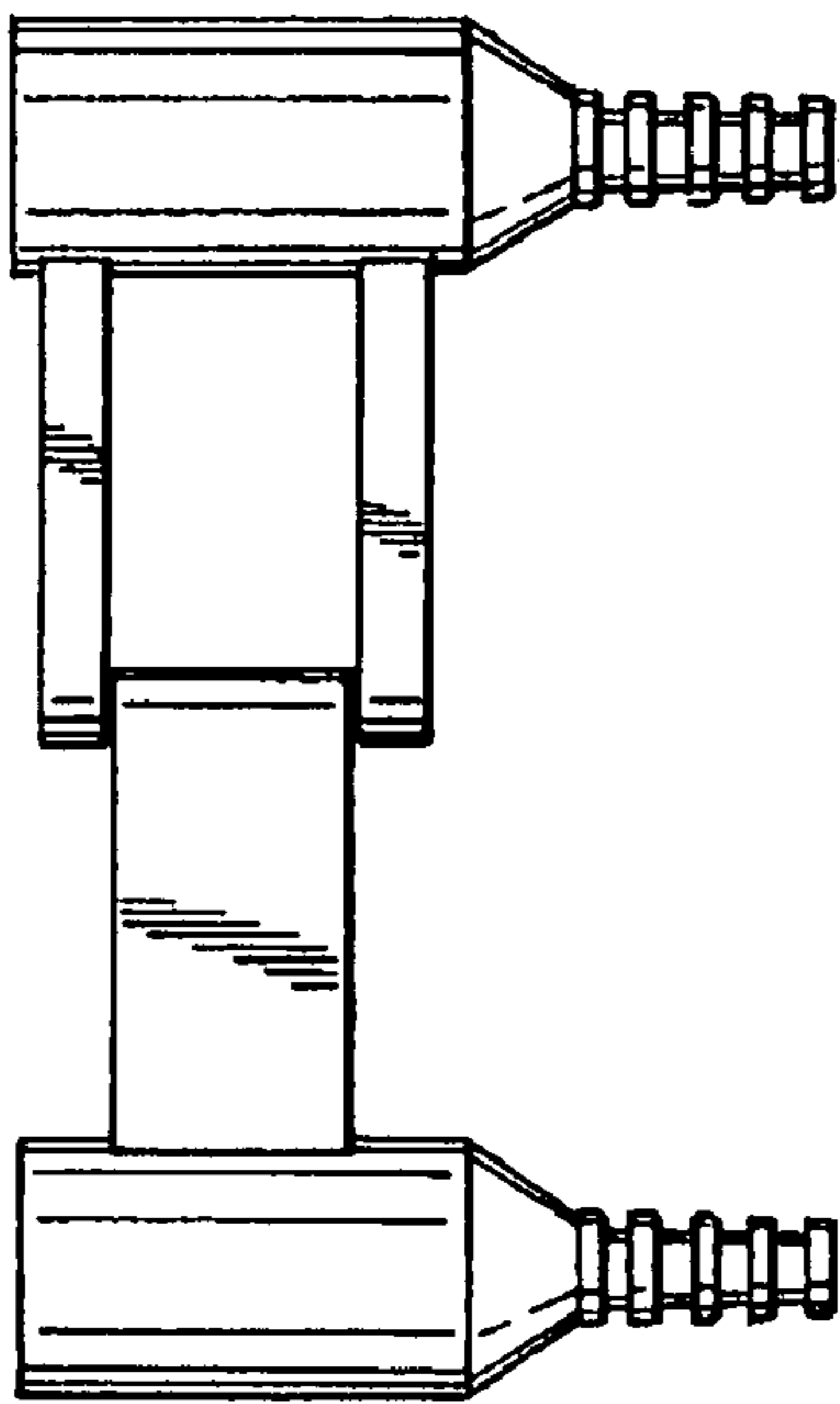
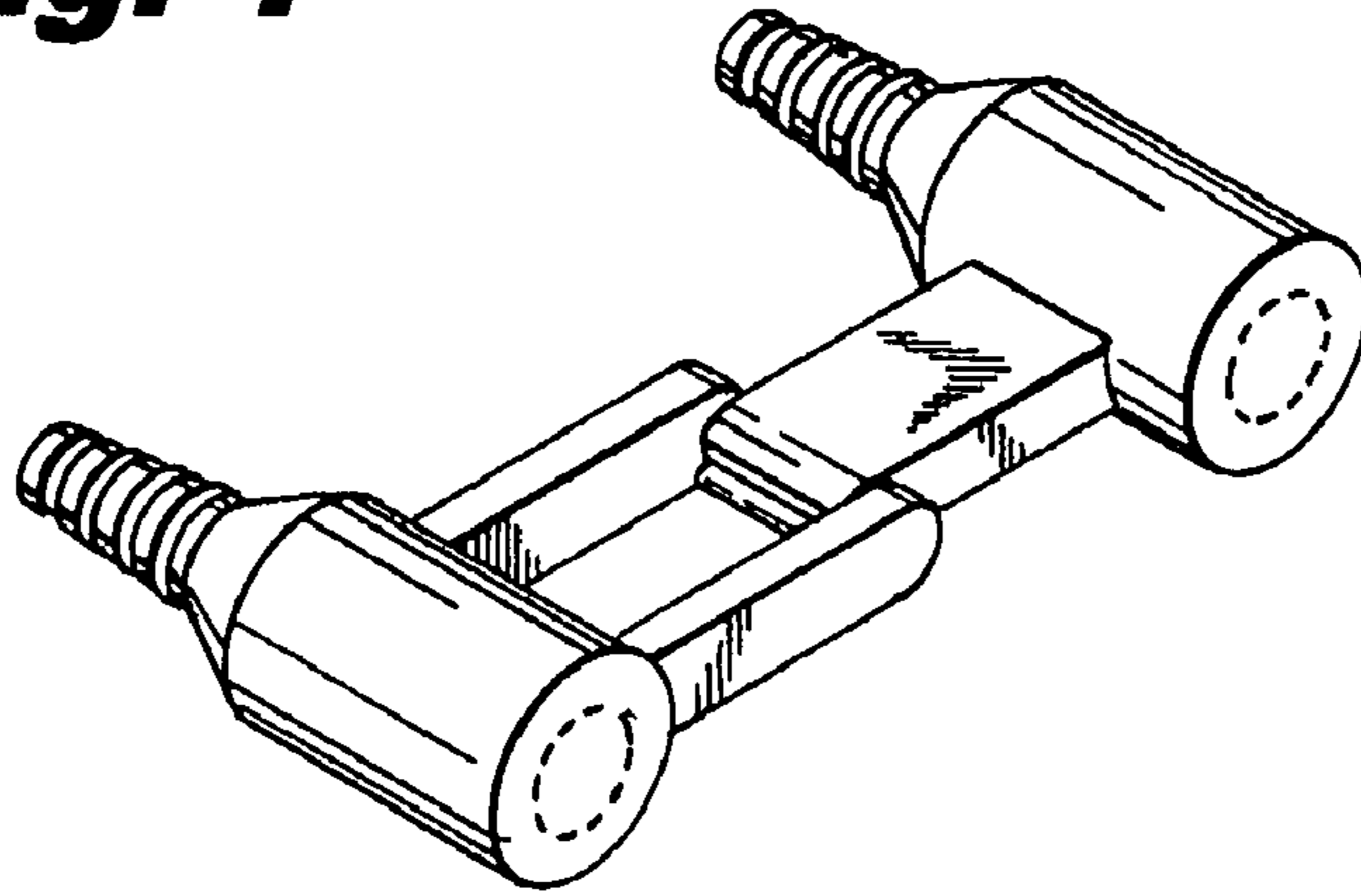


Fig. 2

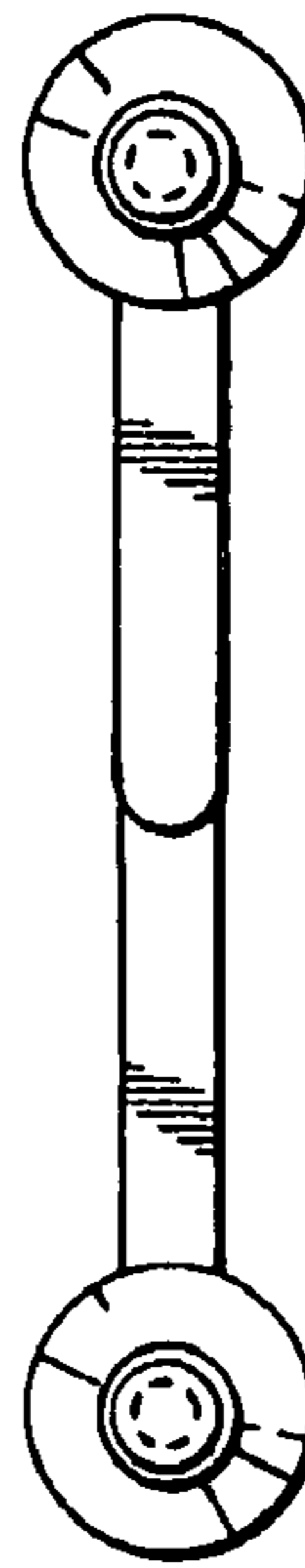


Fig. 3

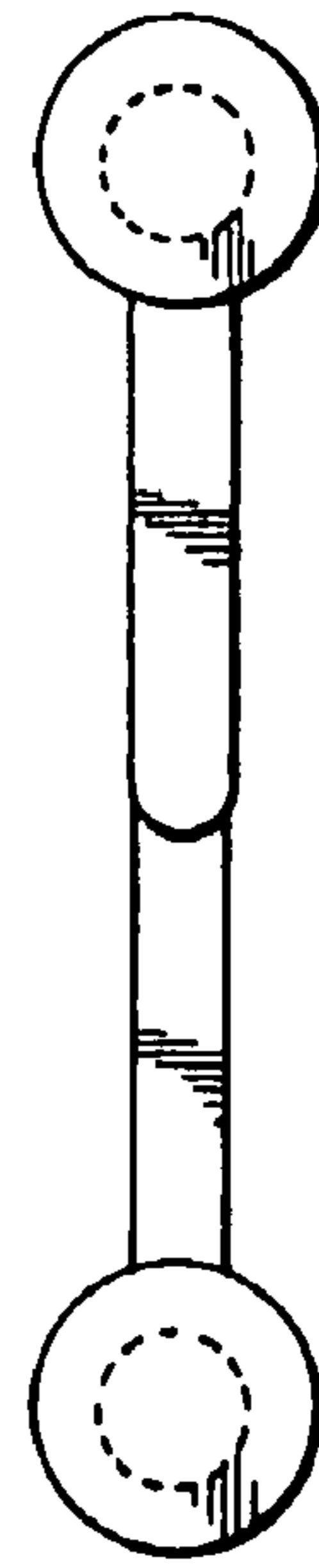


Fig. 4

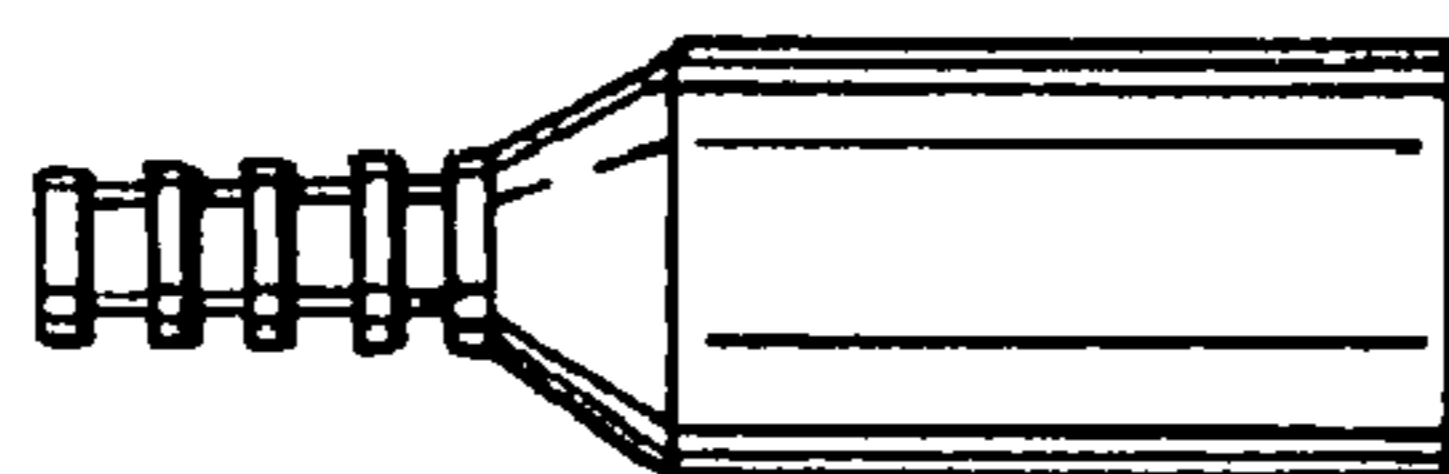


Fig. 5