



US00D582548S

(12) **United States Design Patent**  
**Pakes**

(10) **Patent No.:** **US D582,548 S**  
(45) **Date of Patent:** **\*\* Dec. 9, 2008**

(54) **BEDSIDE URINAL**

(76) Inventor: **Milan P. Pakes**, 868 S. 2nd St., San Jose,  
CA (US) 95112

(\*\*) Term: **14 Years**

(21) Appl. No.: **29/300,595**

(22) Filed: **Apr. 15, 2008**

(51) **LOC (8) Cl.** ..... **24-04**

(52) **U.S. Cl.** ..... **D24/122**

(58) **Field of Classification Search** ..... D24/122,  
D24/123, 121, 224; D23/274, 302, 295,  
D23/309, 200; D9/523, 528, 572; 4/144.1-144.4,  
4/459, 460; 604/317, 318, 334; 600/573  
See application file for complete search history.

(56) **References Cited**

U.S. PATENT DOCUMENTS

137,214	A	3/1873	Knight et al.	
D244,403	S *	5/1977	DeAngelis	D24/122
D274,698	S *	7/1984	Epperson	D9/528
D296,668	S *	7/1988	Stavish	D9/523
D307,390	S *	4/1990	Mednis	D9/523
D332,544	S *	1/1993	Steiner et al.	D9/523
5,299,710	A *	4/1994	Welsch et al.	D9/528
D348,315	S *	6/1994	Hanifl et al.	D24/122
5,331,689	A *	7/1994	Haq	4/144.1

D365,520	S *	12/1995	Luther	D9/528
D372,075	S	7/1996	Baxley	
D378,494	S *	3/1997	Miller	D9/528
6,370,701	B1 *	4/2002	Siegrist	4/144.1
D482,780	S *	11/2003	Robbins et al.	D24/122
D516,434	S *	3/2006	McGuire	D9/528
2003/0140409	A1	7/2003	Johnson	

\* cited by examiner

*Primary Examiner*—T. Chase Nelson  
*Assistant Examiner*—David G. Muller  
(74) *Attorney, Agent, or Firm*—Richard C. Litman

(57) **CLAIM**

The ornamental design for a bedside urinal, as shown and described.

**DESCRIPTION**

FIG. 1 is a perspective view of a bedside urinal showing my new design;

FIG. 2 is a right side elevational view with the left side being a mirror image thereof;

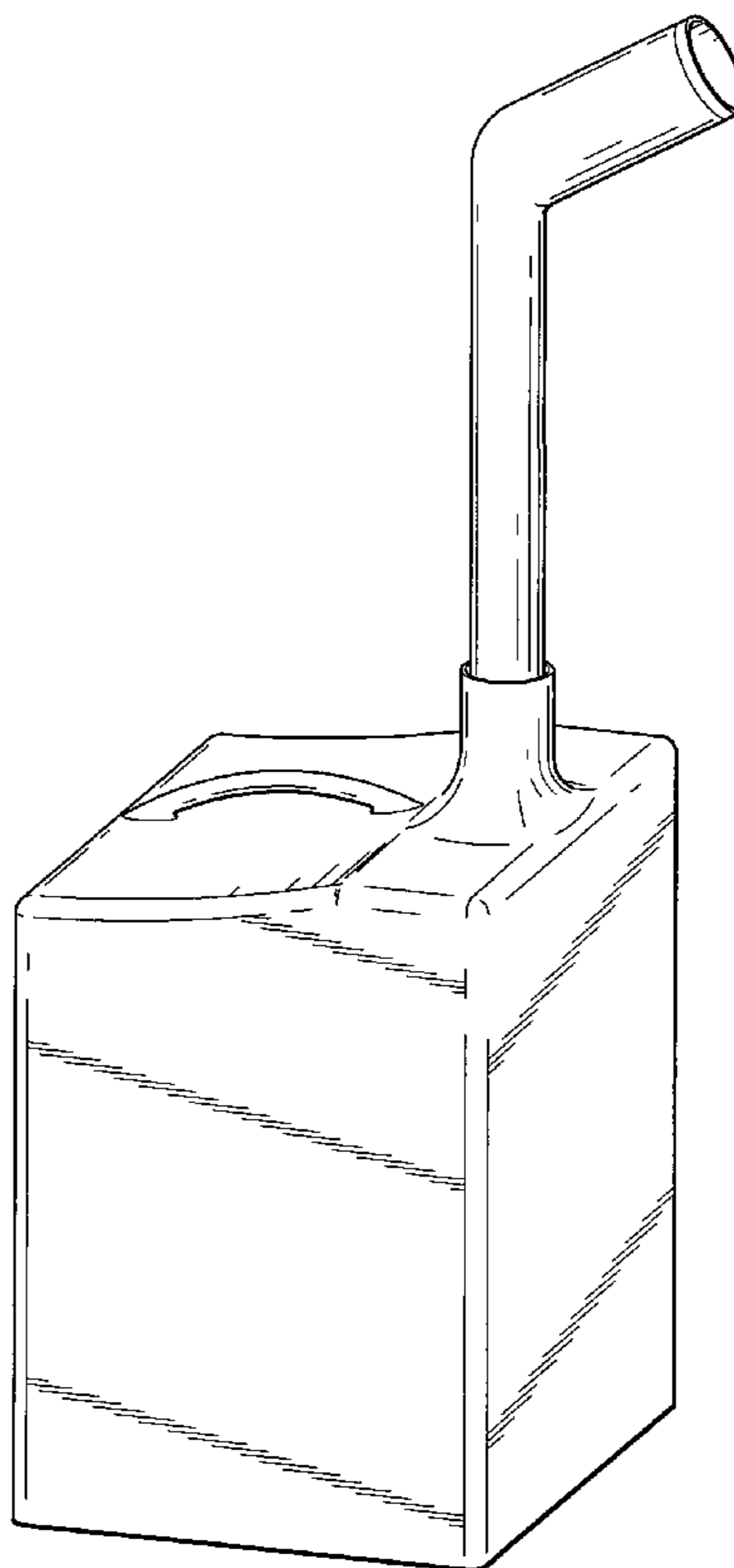
FIG. 3 is a rear elevational view thereof;

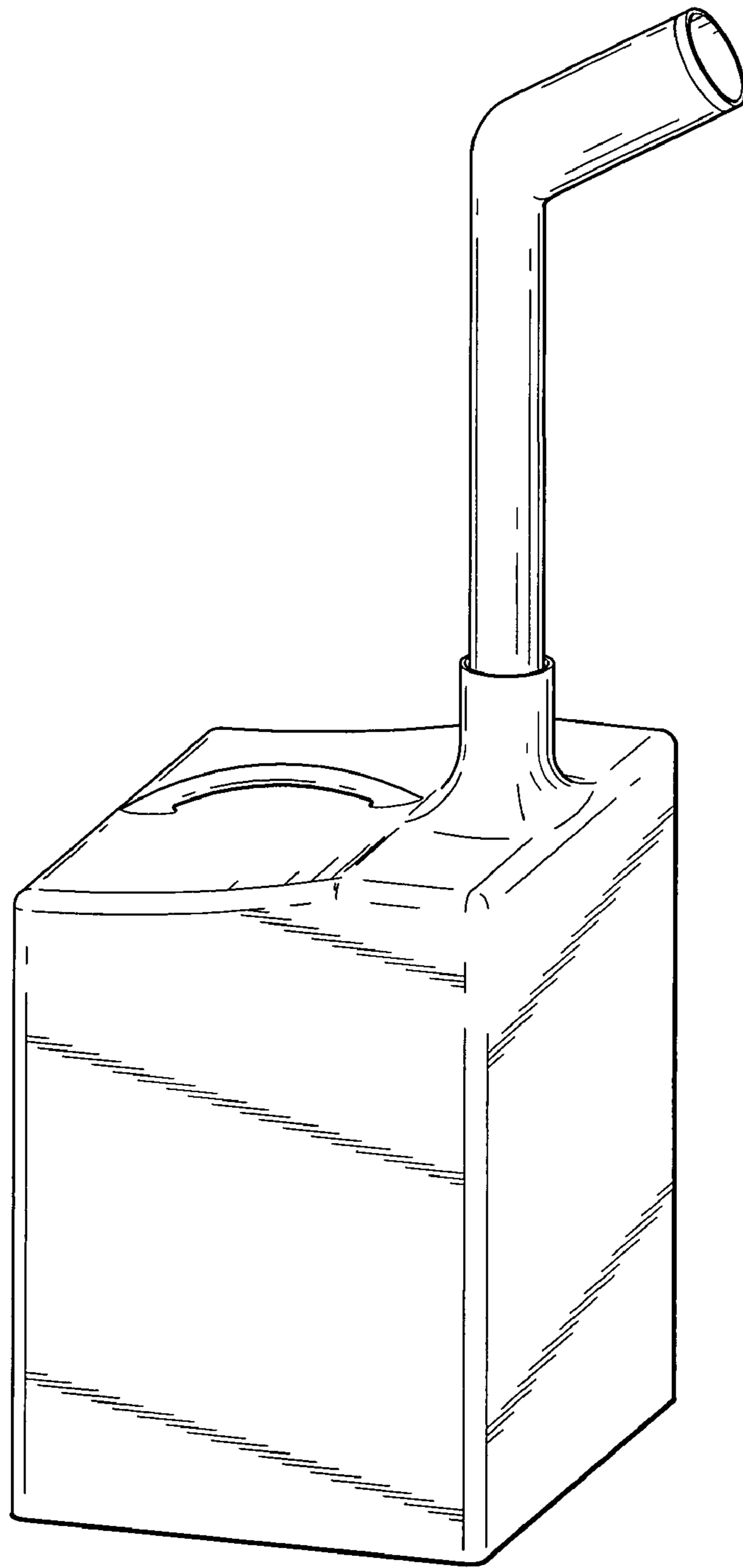
FIG. 4 is a front elevational view thereof;

FIG. 5 is a top plan view thereof; and,

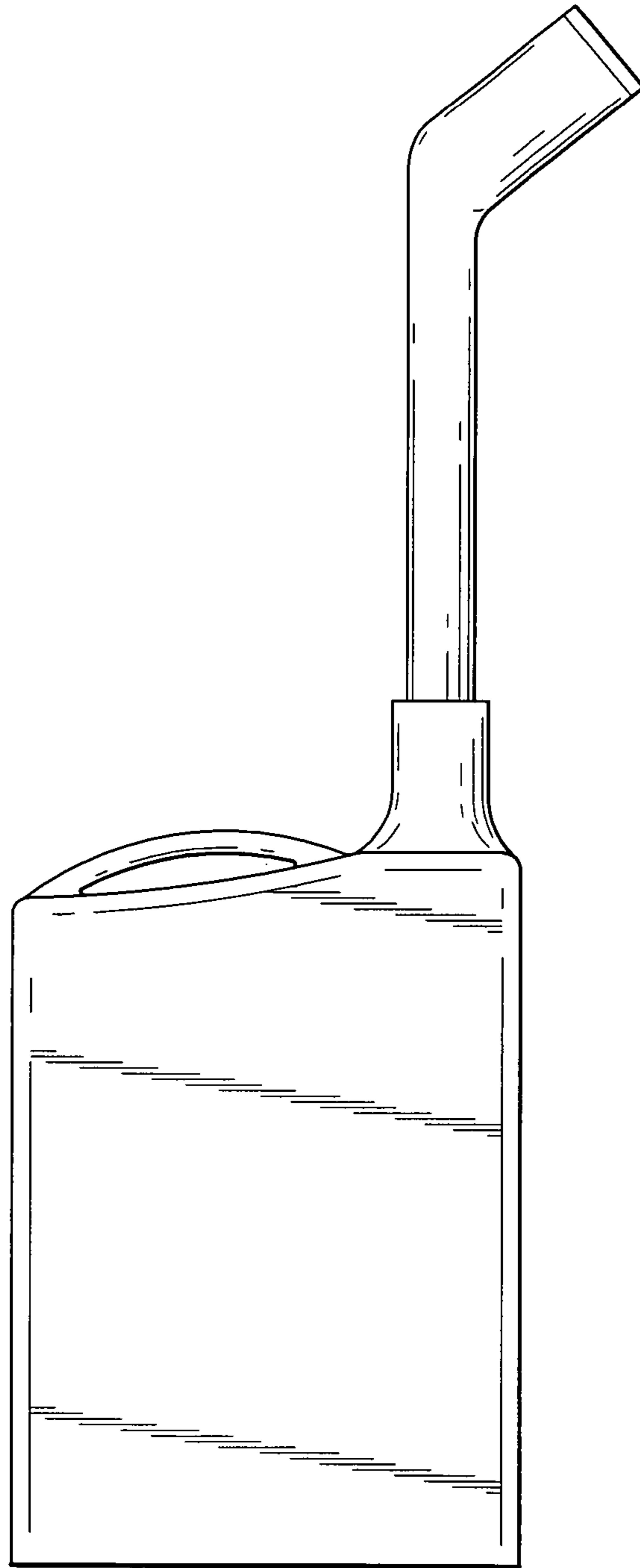
FIG. 6 is a bottom plan view thereof.

**1 Claim, 5 Drawing Sheets**

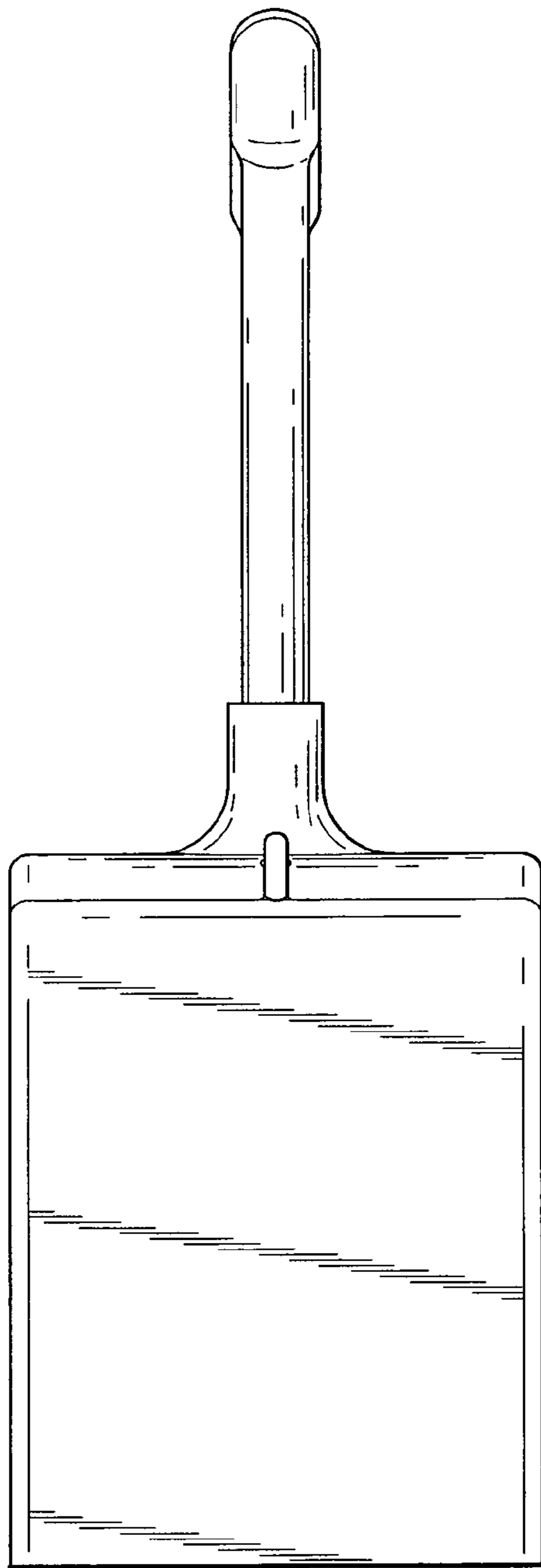




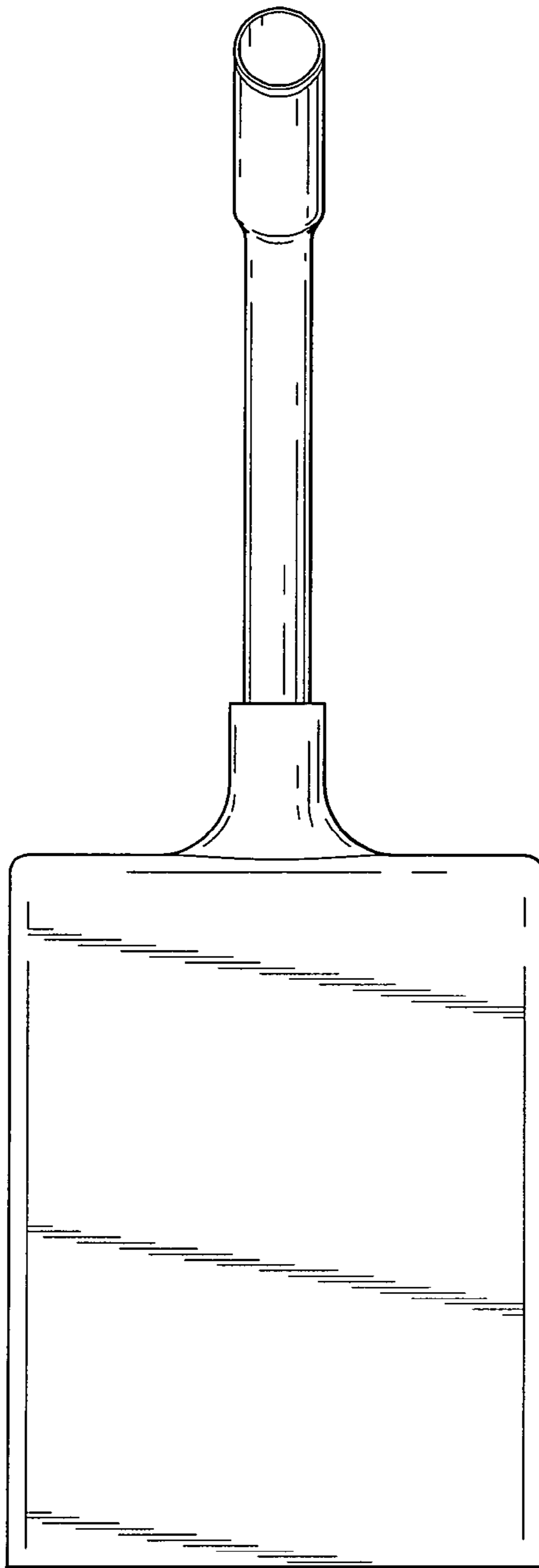
***FIG. 1***



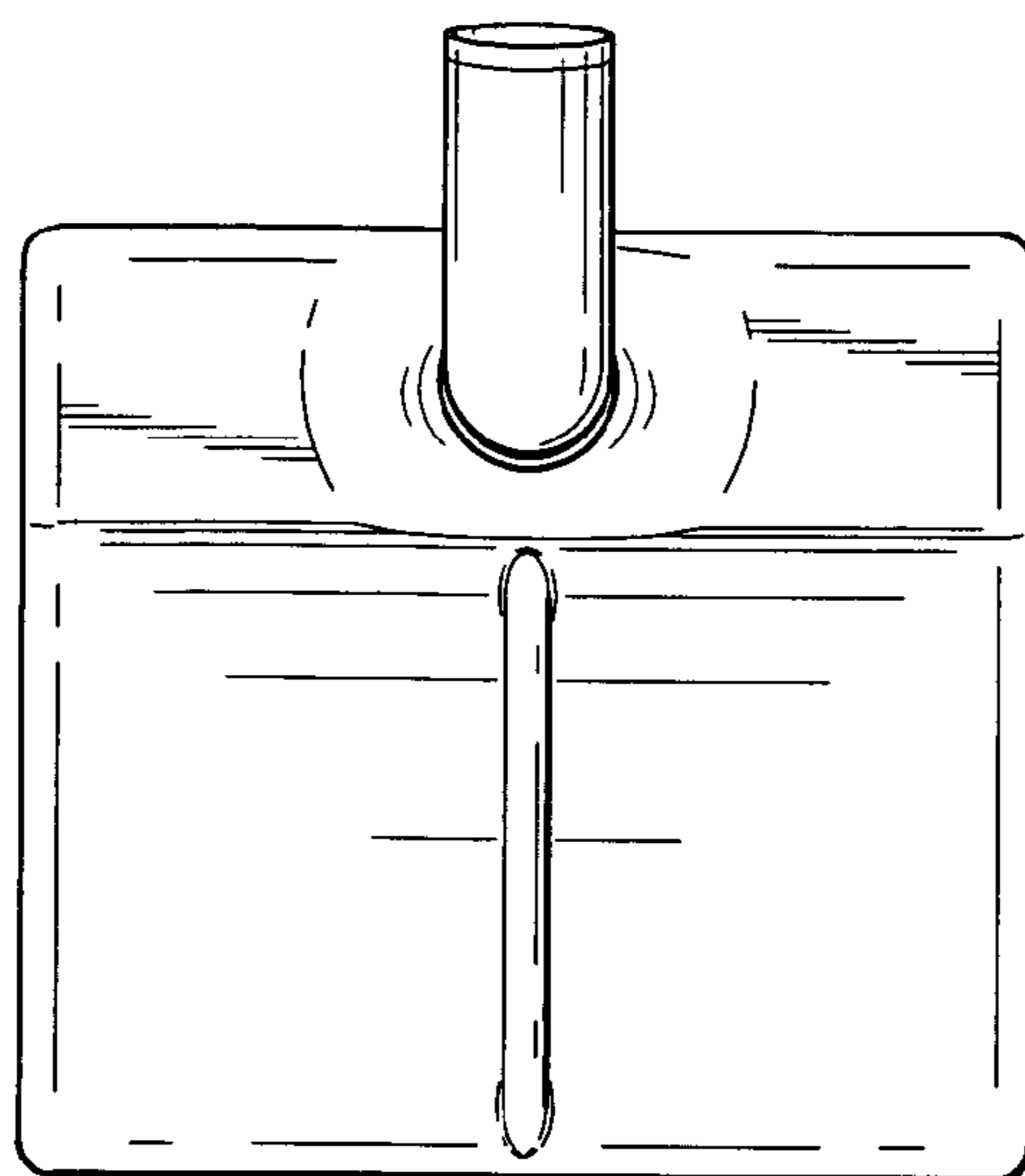
***FIG. 2***



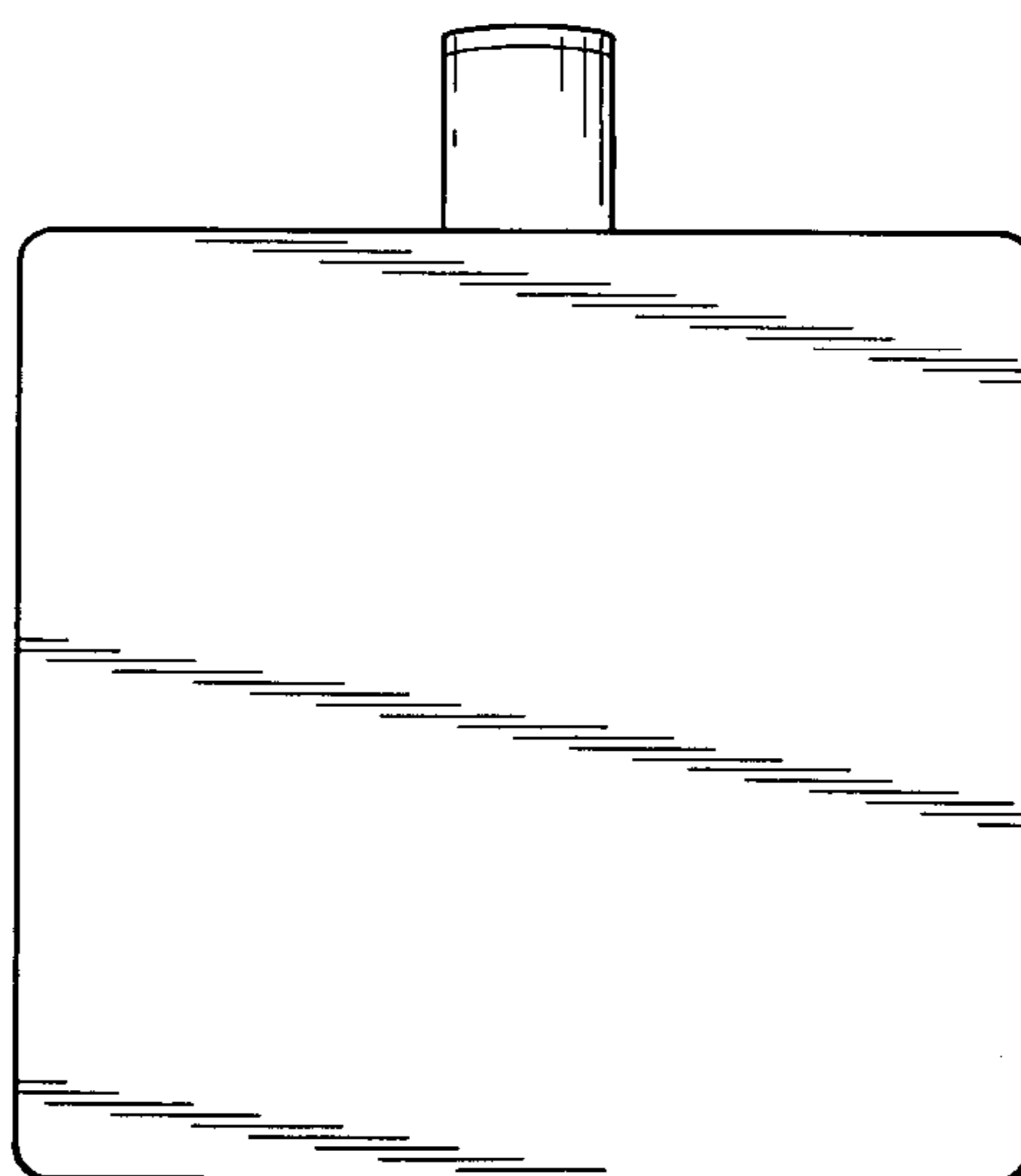
***FIG. 3***



***FIG. 4***



***FIG. 5***



***FIG. 6***