



US00D582547S

(12) **United States Design Patent**
Ungar

(10) **Patent No.:** **US D582,547 S**
(45) **Date of Patent:** **** Dec. 9, 2008**

(54) **MOLDED FLANGE FOR USE WITH A FILTER RESPIRATOR**

D421,118 S * 2/2000 Reischel et al. D24/110.6
D511,865 S * 11/2005 Canavan et al. D29/122
D512,187 S * 11/2005 Canavan et al. D29/122
2007/0235031 A1* 10/2007 Betz 128/206.21

(75) Inventor: **William Dean Ungar**, Torrance, CA
(US)

* cited by examiner

(73) Assignee: **Moldex-Metric, Inc.**, Culver City, CA
(US)

Primary Examiner—Ian Simmons
Assistant Examiner—Christopher Lee

(**) Term: **14 Years**

(74) *Attorney, Agent, or Firm*—Charles H. Schwartz

(21) Appl. No.: **29/285,520**

(57) **CLAIM**

(22) Filed: **Mar. 29, 2007**

The ornamental design for a molded flange for use with a filter respirator, as shown and described.

(51) **LOC (8) Cl.** **29-02**

DESCRIPTION

(52) **U.S. Cl.** **D24/110.2; D24/110.1**

FIG. 1 is a front perspective view of a molded flange for use with a filter respirator according to my new design,

(58) **Field of Classification Search** D24/110,
D24/110.1, 110.2, 110.4, 110.5; D29/105–110,
D29/122; 128/206.12, 206.17, 206.21, 206.23,
128/201.15, 201.17, 201.23, 201.24, 205.25,
128/204.17, 204.21

FIG. 2 is a rear perspective view thereof,

FIG. 3 is a back view thereof,

FIG. 4 is a front view thereof,

FIG. 5 is a top plan view thereof,

FIG. 6 is a bottom plan view thereof,

FIG. 7 is a left side elevational view thereof; and,

FIG. 8 is a right side elevational view thereof.

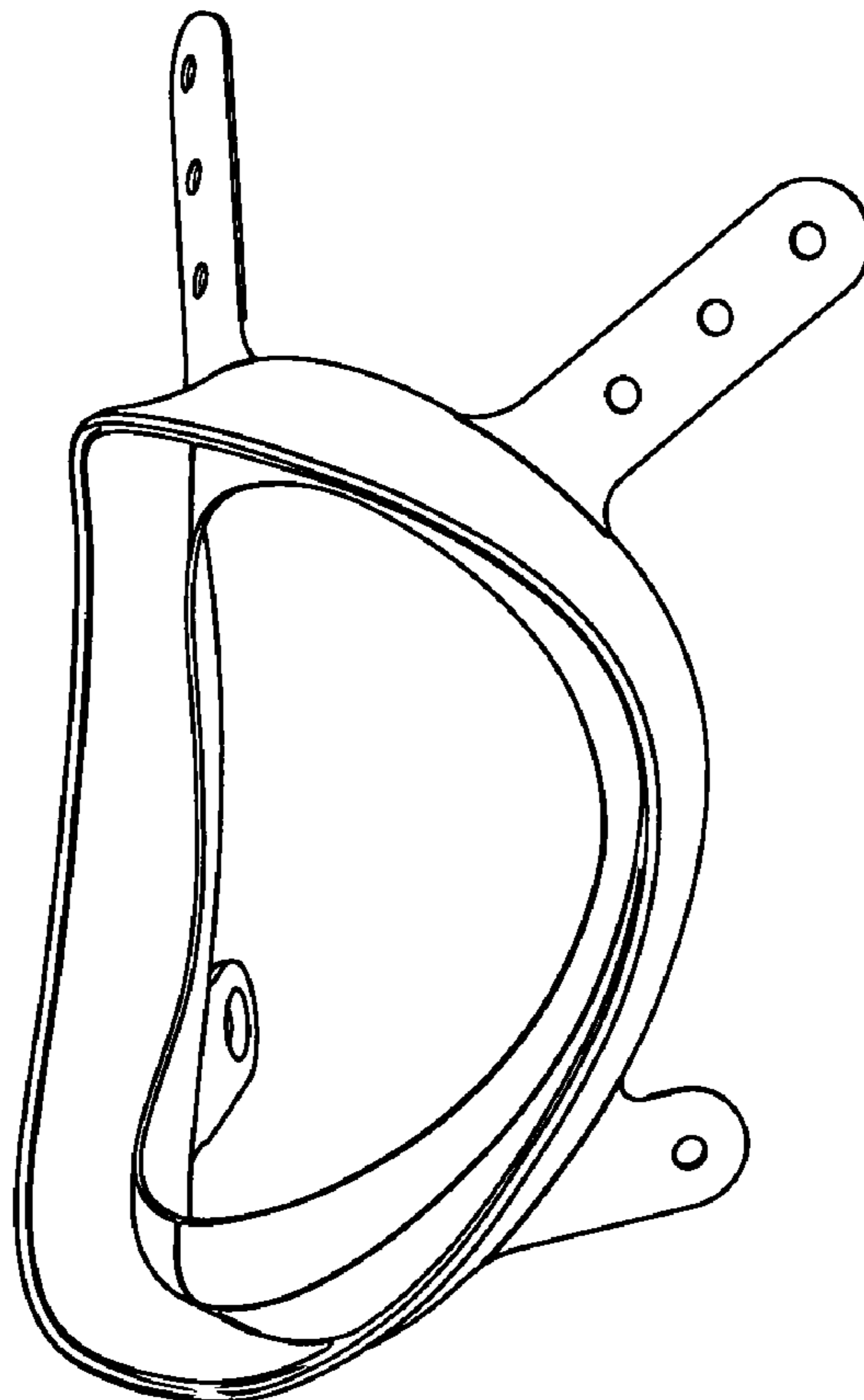
See application file for complete search history.

(56) **References Cited**

U.S. PATENT DOCUMENTS

3,362,403 A * 1/1968 Fleming et al. 128/201.24
3,789,428 A * 2/1974 Martin 2/9
D378,610 S * 3/1997 Reischel et al. D24/110.2

1 Claim, 2 Drawing Sheets



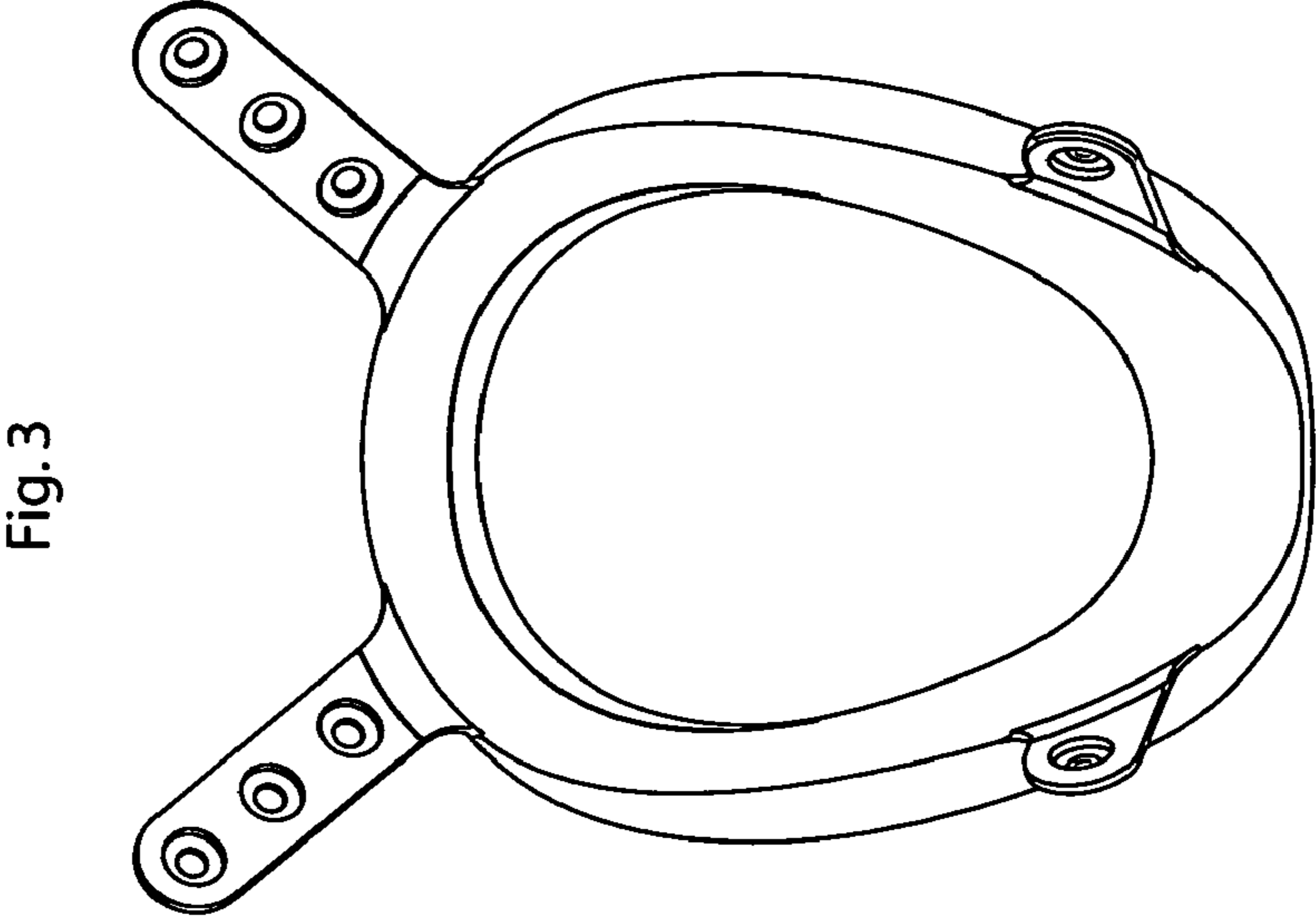


Fig. 3

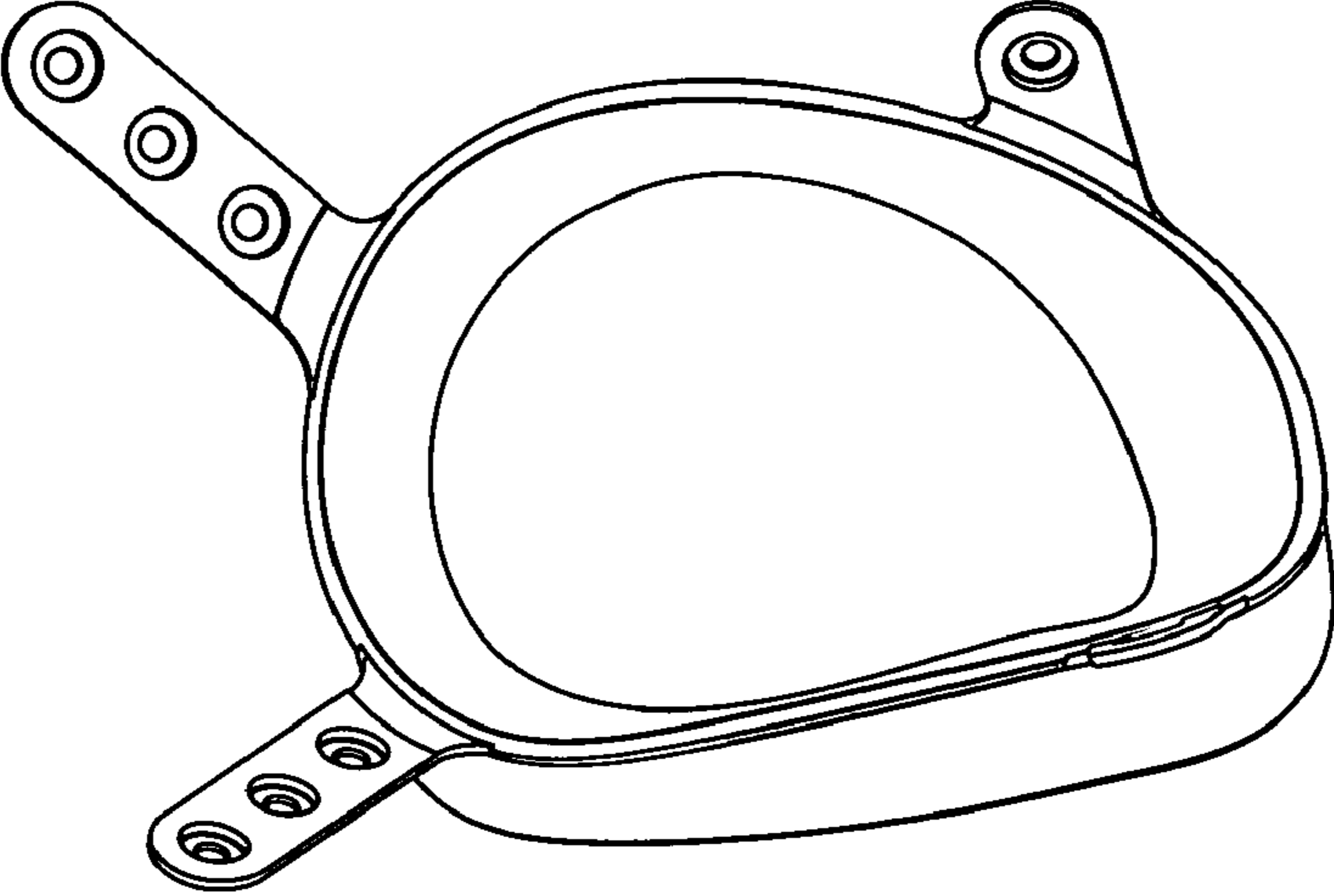


Fig. 2

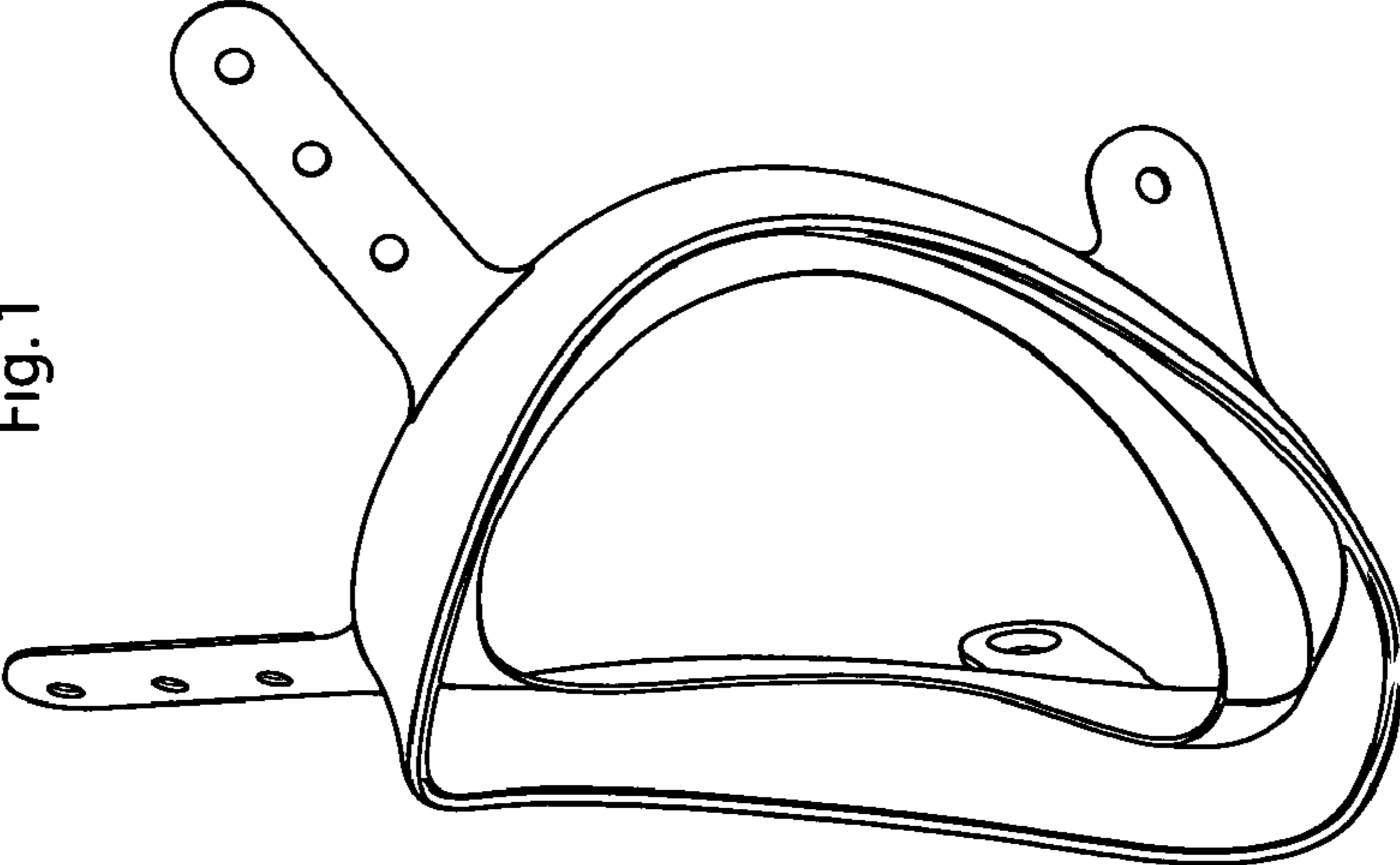


Fig. 1

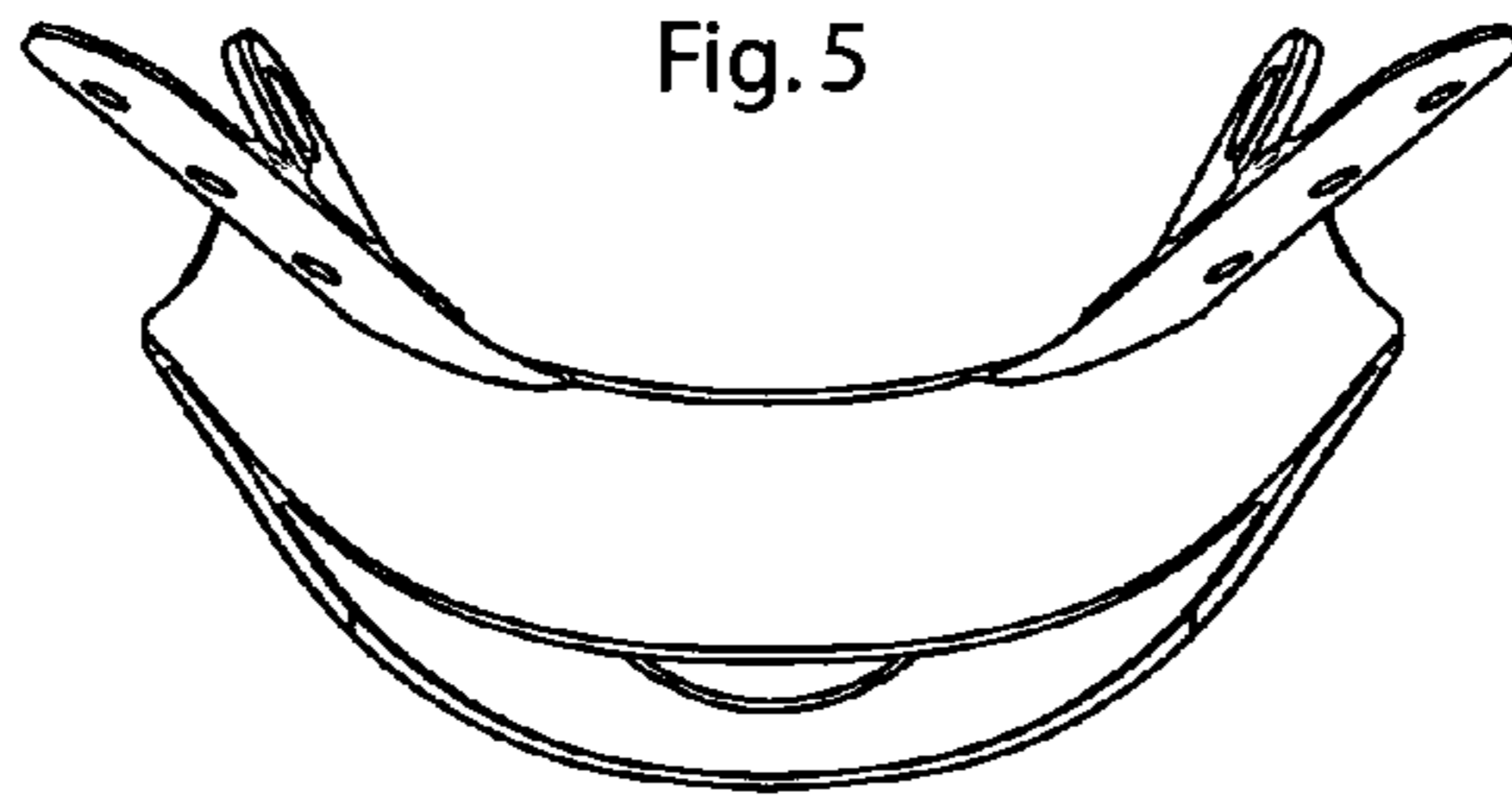


Fig. 5

Fig. 7

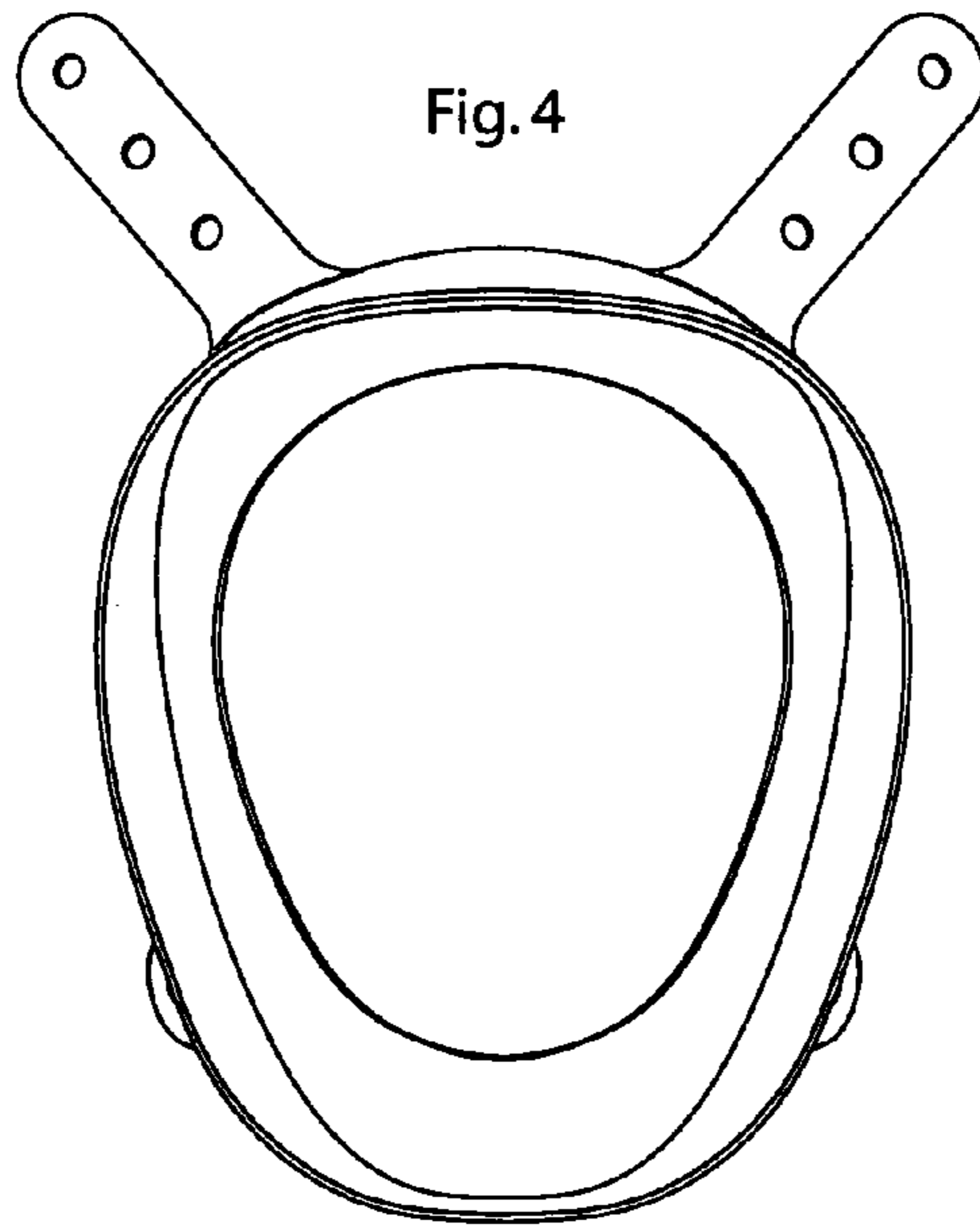
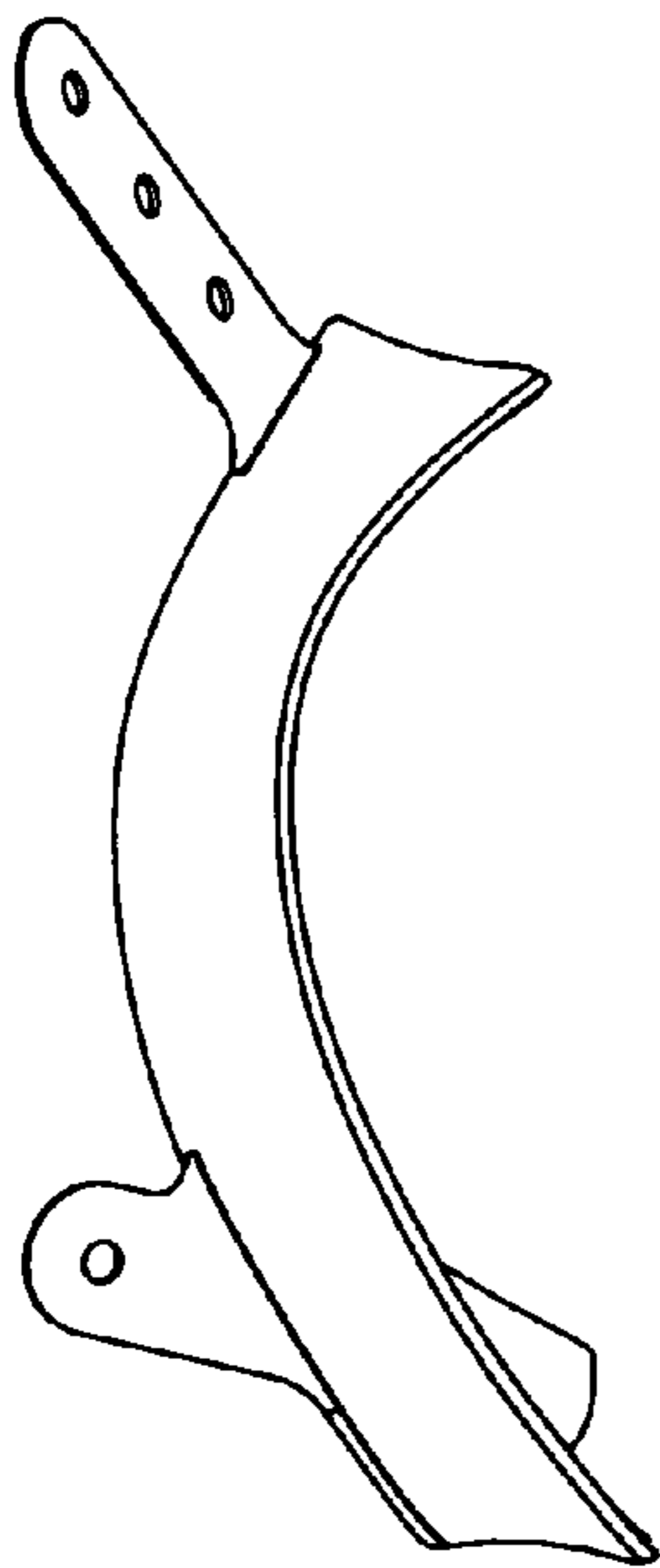


Fig. 4

Fig. 8

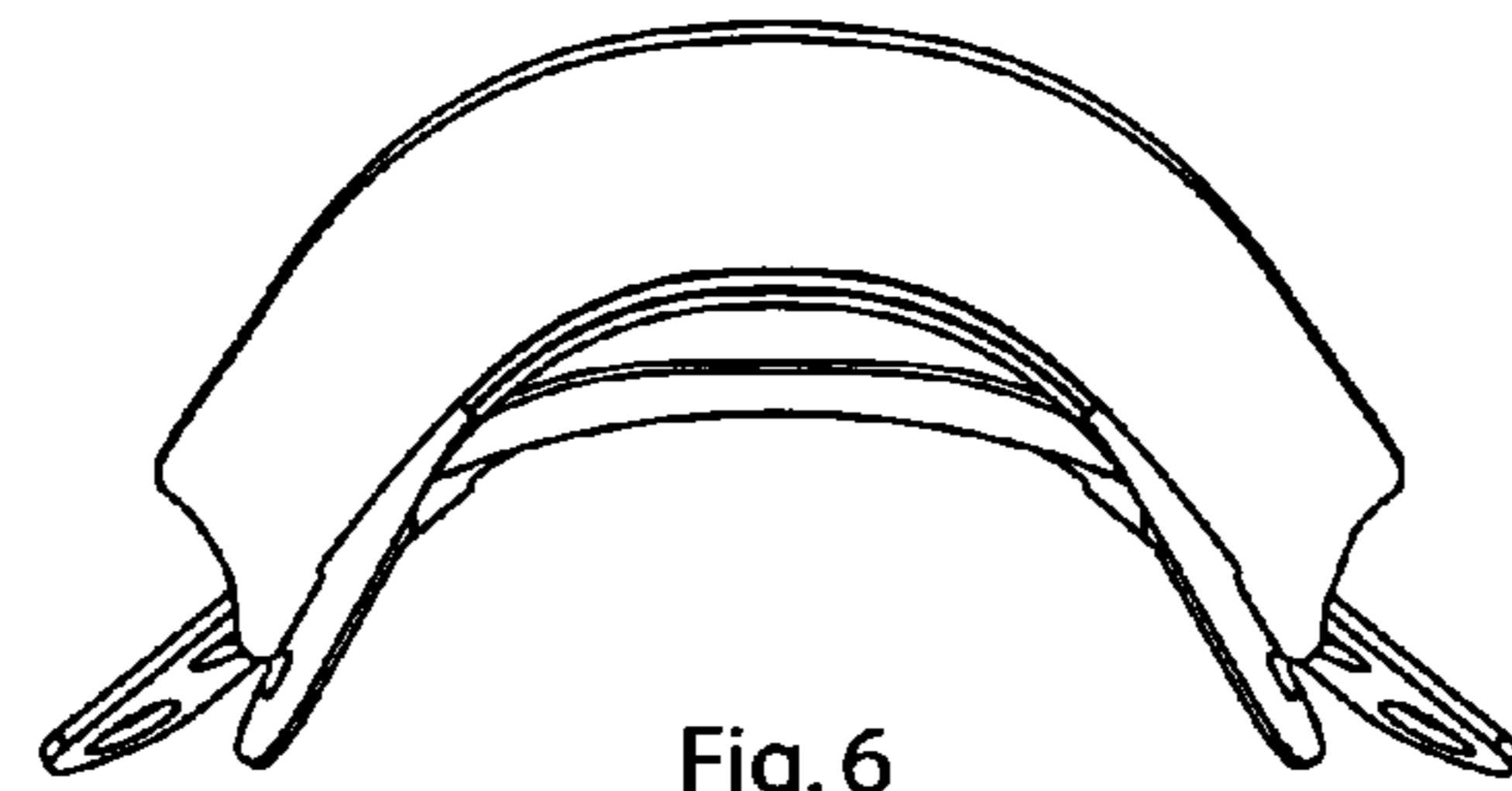
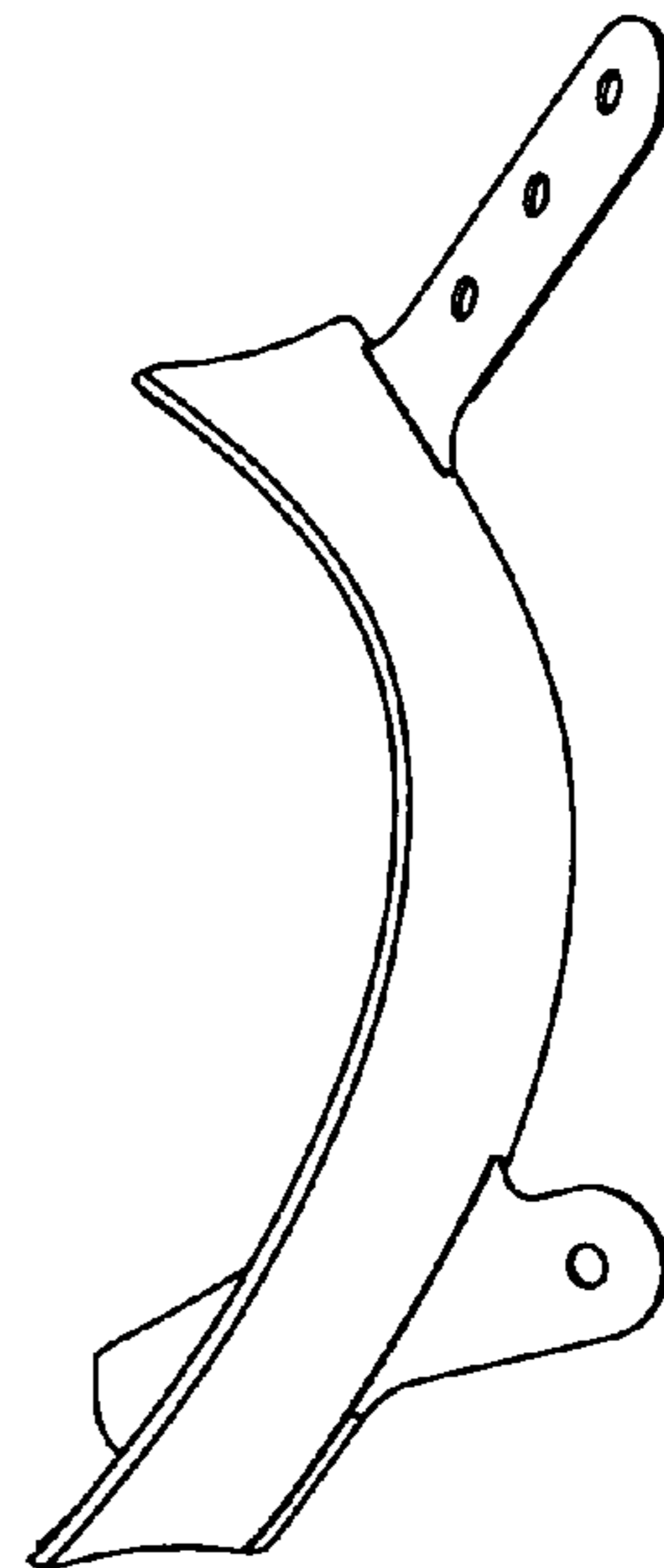


Fig. 6