



US00D582544S

(12) **United States Design Patent**
Meziere

(10) **Patent No.:** **US D582,544 S**
(45) **Date of Patent:** **** Dec. 9, 2008**

(54) **METERED DOSE INHALER**

5,692,492 A 12/1997 Bruna et al.
D389,570 S 1/1998 Savolainen et al.

(75) Inventor: **Cyril Meziere**, Villeurbanne (FR)

(73) Assignee: **Nycomed GmbH**, Konstanz (DE)

(Continued)

(**) Term: **14 Years**

FOREIGN PATENT DOCUMENTS

(21) Appl. No.: **29/283,277**

GB 2195544 4/1988

(22) Filed: **Aug. 9, 2007**

Primary Examiner—Ian Simmons
Assistant Examiner—Christopher Lee

(51) **LOC (8) Cl.** **29-02**

(52) **U.S. Cl.** **D24/110**

(58) **Field of Classification Search** D24/110,
D24/164; 128/200.24, 200.23, 200.22, 203.15,
128/200.14, 203.12, 200.21, 205.23, 205.25,
128/200.12

(74) *Attorney, Agent, or Firm*—Darby & Darby P.C.

(57) **CLAIM**

See application file for complete search history.

The ornamental design for a metered dose inhaler, as shown and described.

(56) **References Cited**

DESCRIPTION

U.S. PATENT DOCUMENTS

D189,076 S	10/1960	Altman
3,429,310 A	2/1969	Jaffe et al.
3,456,645 A	7/1969	Brock
3,865,279 A	2/1975	James et al.
4,114,811 A	9/1978	Loeffler
4,292,966 A	10/1981	Mono et al.
D262,320 S	12/1981	Mono et al.
D272,094 S	1/1984	Wolf et al.
D276,847 S	12/1984	Nyman et al.
4,834,083 A	5/1989	Byram et al.
4,860,738 A	8/1989	Hegemann et al.
4,969,578 A	11/1990	Gander et al.
5,165,391 A	11/1992	Chiesi et al.
D342,994 S	1/1994	Rand et al.
D348,929 S	7/1994	Paton et al.
D349,572 S	8/1994	Jagnandan et al.
5,363,842 A	11/1994	Mishelevich et al.
D355,029 S	1/1995	Kinneir et al.
5,394,866 A	3/1995	Ritson et al.
5,408,994 A	4/1995	Wass et al.
D365,876 S	1/1996	Chawla et al.
5,505,192 A	4/1996	Samiotes et al.
5,505,195 A	4/1996	Wolf et al.
D377,215 S	1/1997	Rand et al.

FIG. 1 is a first perspective view of our new design for a metered dose inhaler, with a cap in the closed position and including the top, front and right sides;

FIG. 2 is second perspective view thereof, with the cap in an open position and including the top, right and front sides;

FIG. 3 is a front elevational view thereof, with the cap in the closed position;

FIG. 4 is a top view thereof, with the cap in the closed position;

FIG. 5 is a bottom view thereof, with the cap in the closed position;

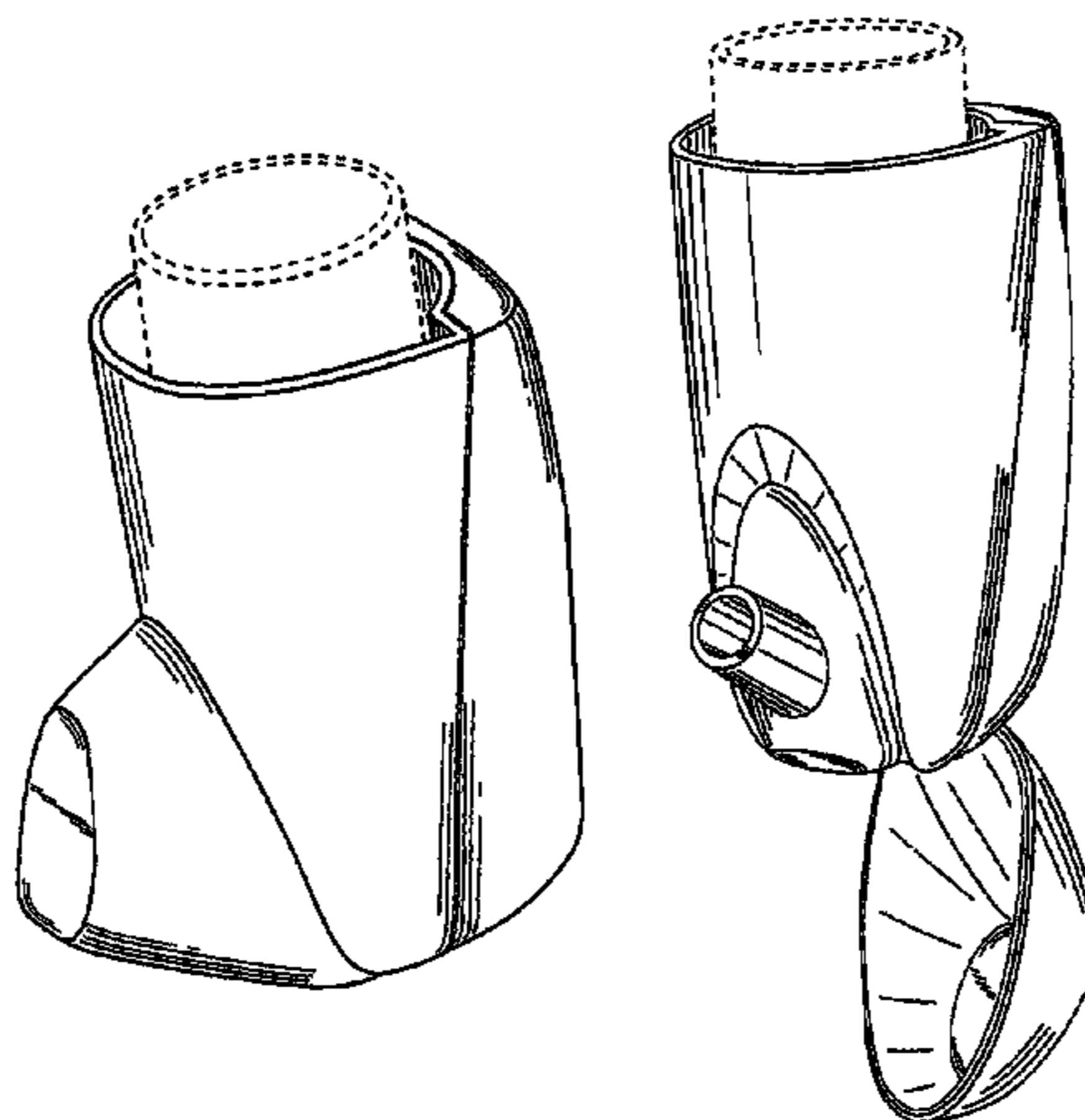
FIG. 6 is a right side elevational view thereof, with the cap in the closed position;

FIG. 7 is a left side elevational view thereof, with the cap in the closed position; and,

FIG. 8 is a rear elevational view thereof, with the cap in the closed position.

The broken lines in the drawings depict environmental structure and form no part of the claimed design.

1 Claim, 4 Drawing Sheets



US D582,544 S

Page 2

U.S. PATENT DOCUMENTS

5,755,218 A	5/1998	Johansson et al.	D478,983 S	8/2003	Whitehall et al.
D395,499 S	6/1998	Eisele et al.	D480,474 S	10/2003	Bowman et al.
5,899,200 A *	5/1999	McNary 128/200.14	6,672,304 B1	1/2004	Casper et al.
D416,998 S	11/1999	Hodson et al.	6,718,972 B2	4/2004	O'Leary et al.
D433,126 S	10/2000	McCurry et al.	6,752,145 B1	6/2004	Bonney et al.
D433,502 S *	11/2000	Rand D24/110	6,792,945 B2	9/2004	Davies et al.
6,155,251 A	12/2000	Hauser	D498,840 S	11/2004	King et al.
D437,931 S	2/2001	Anderson et al.	D499,802 S	12/2004	Pinon et al.
D439,534 S	3/2001	Scarrott et al.	D501,551 S	2/2005	Rand
D439,656 S	3/2001	Andersson et al.	D509,898 S	9/2005	Bunce et al.
6,234,168 B1	5/2001	Bruna et al.	D511,208 S *	11/2005	Pardonge et al. D24/110
D444,225 S	6/2001	Andersson et al.	D515,203 S	2/2006	Huxham et al.
6,273,084 B1	8/2001	Frid et al.	D515,696 S *	2/2006	Lucking et al. D24/110
D447,432 S	9/2001	Scarrott et al.	D518,171 S	3/2006	Anderson et al.
6,283,365 B1	9/2001	Bason et al.	D528,653 S	9/2006	Matthew et al.
D449,684 S	10/2001	Christrup et al.	D529,605 S	10/2006	Huxham et al.
D449,882 S	10/2001	Christrup et al.	D533,268 S *	12/2006	Olfati D24/110
D450,117 S	11/2001	Braithwaite et al.	D556,896 S *	12/2007	Logan D24/110
D452,910 S	1/2002	Braithwaite et al.	D571,001 S *	6/2008	Warby et al. D24/110
D455,208 S	4/2002	Bacon et al.	2002/0170560 A1	11/2002	Young et al.
D456,292 S	4/2002	Scarrott et al.	2003/0150448 A1	8/2003	Bacon et al.
D460,173 S *	7/2002	Harrison D24/110	2003/0150452 A1	8/2003	Staniforth et al.
D461,239 S *	8/2002	Cassidy D24/110	2003/0172927 A1	9/2003	Young et al.
D473,298 S	4/2003	Bowman et al.	2004/0134488 A1	7/2004	Davies
D473,640 S *	4/2003	Cuffaro et al. D24/110	2004/0226555 A1	11/2004	Scarrott et al.
			2005/0172964 A1	8/2005	Anderson et al.

* cited by examiner

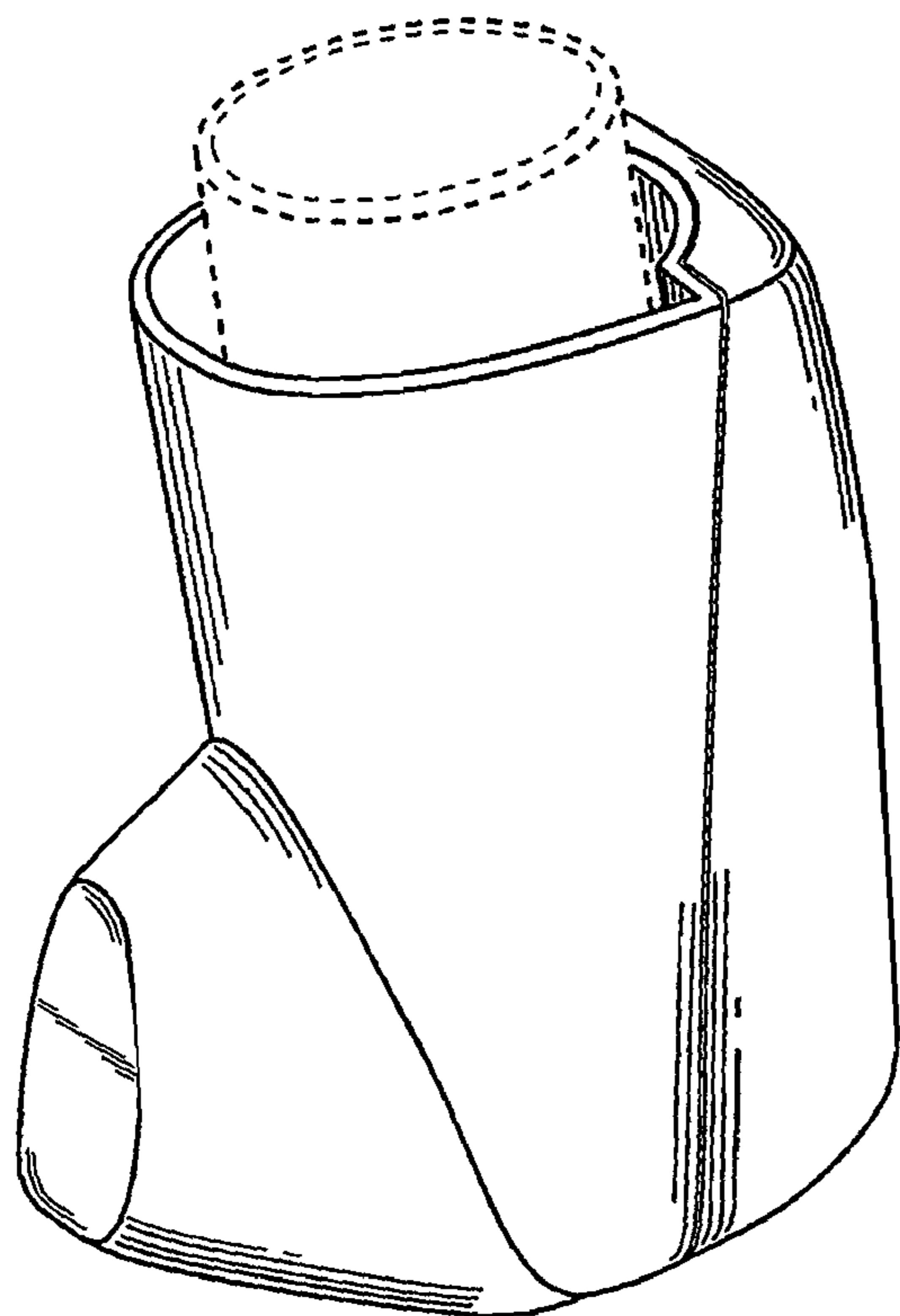


FIG. 1

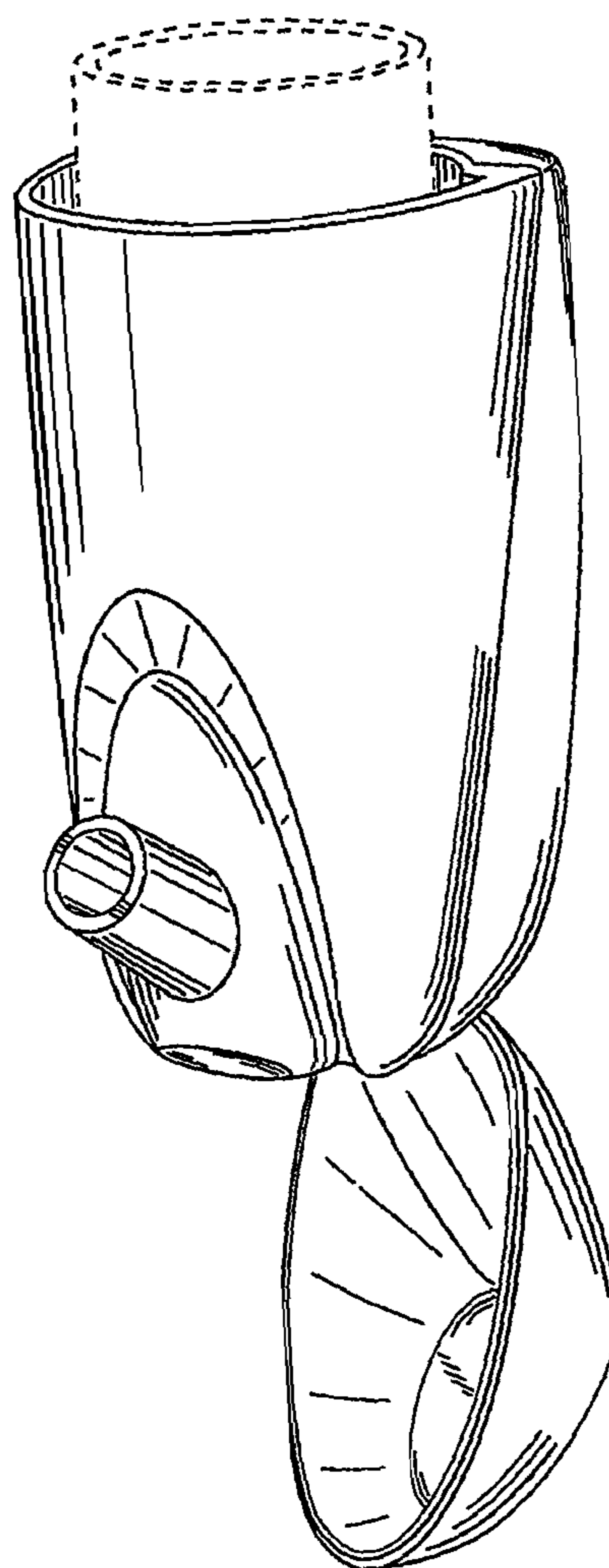


FIG. 2

FIG. 3

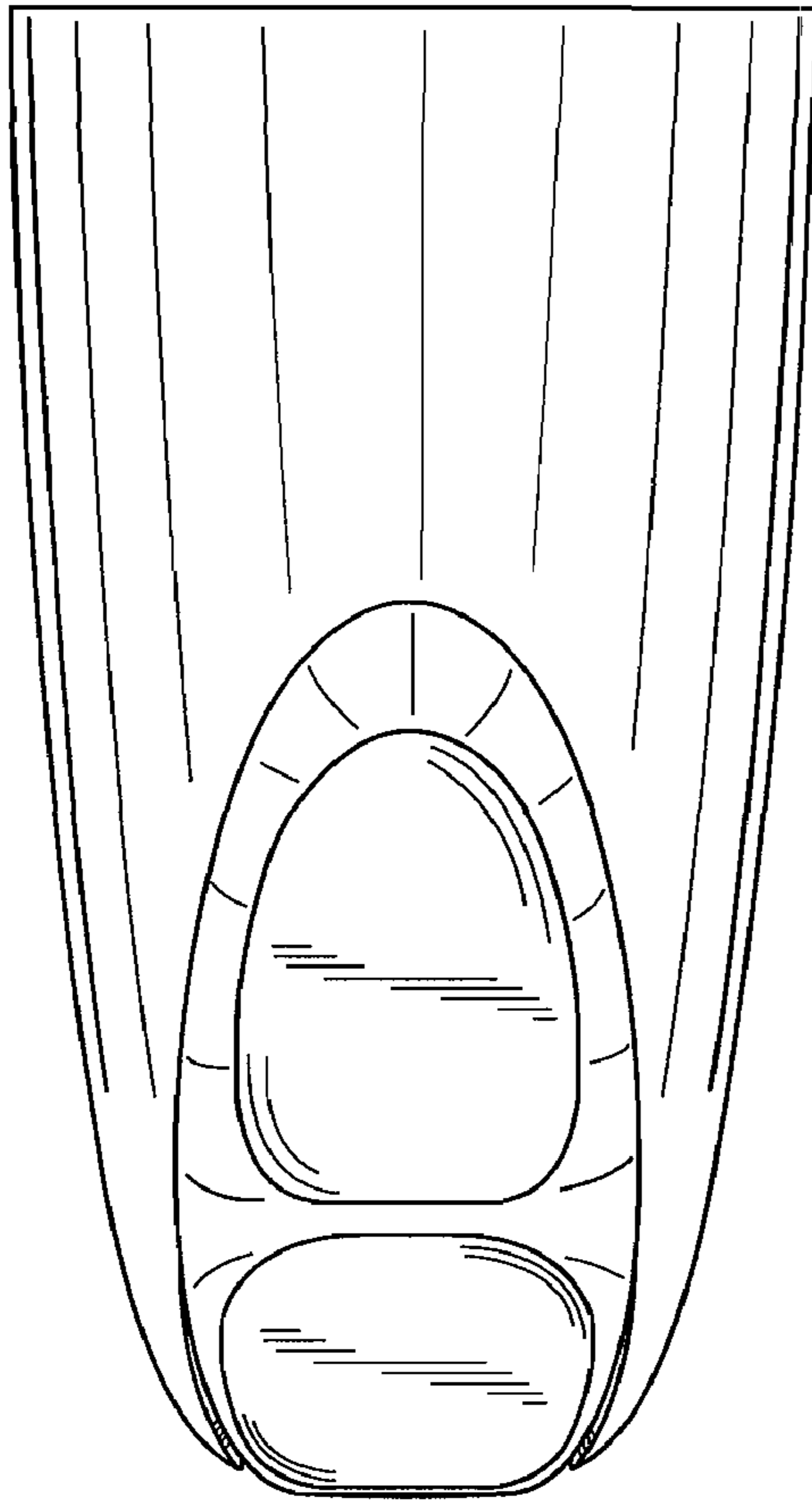


FIG. 4

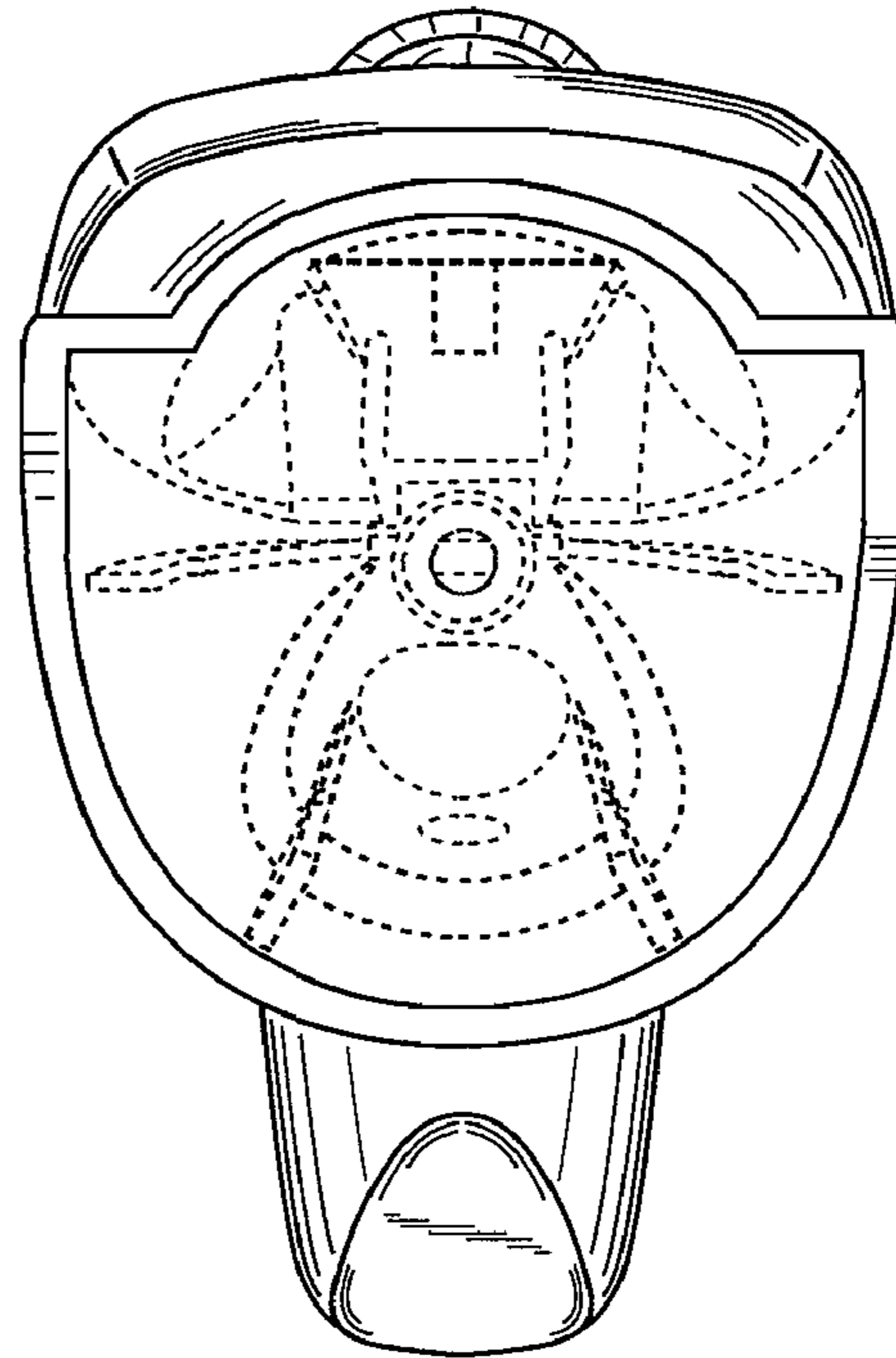


FIG. 5

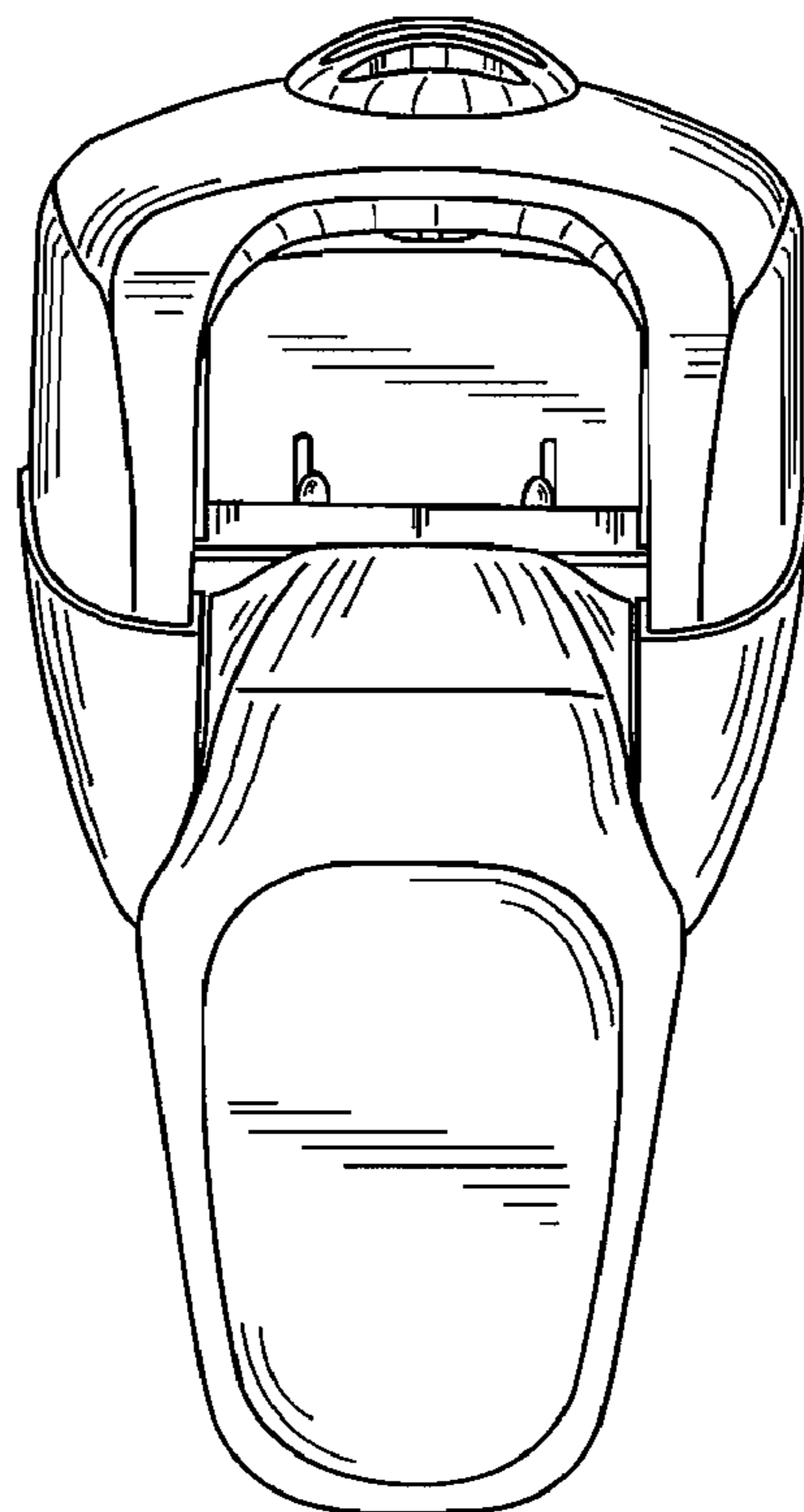


FIG. 6

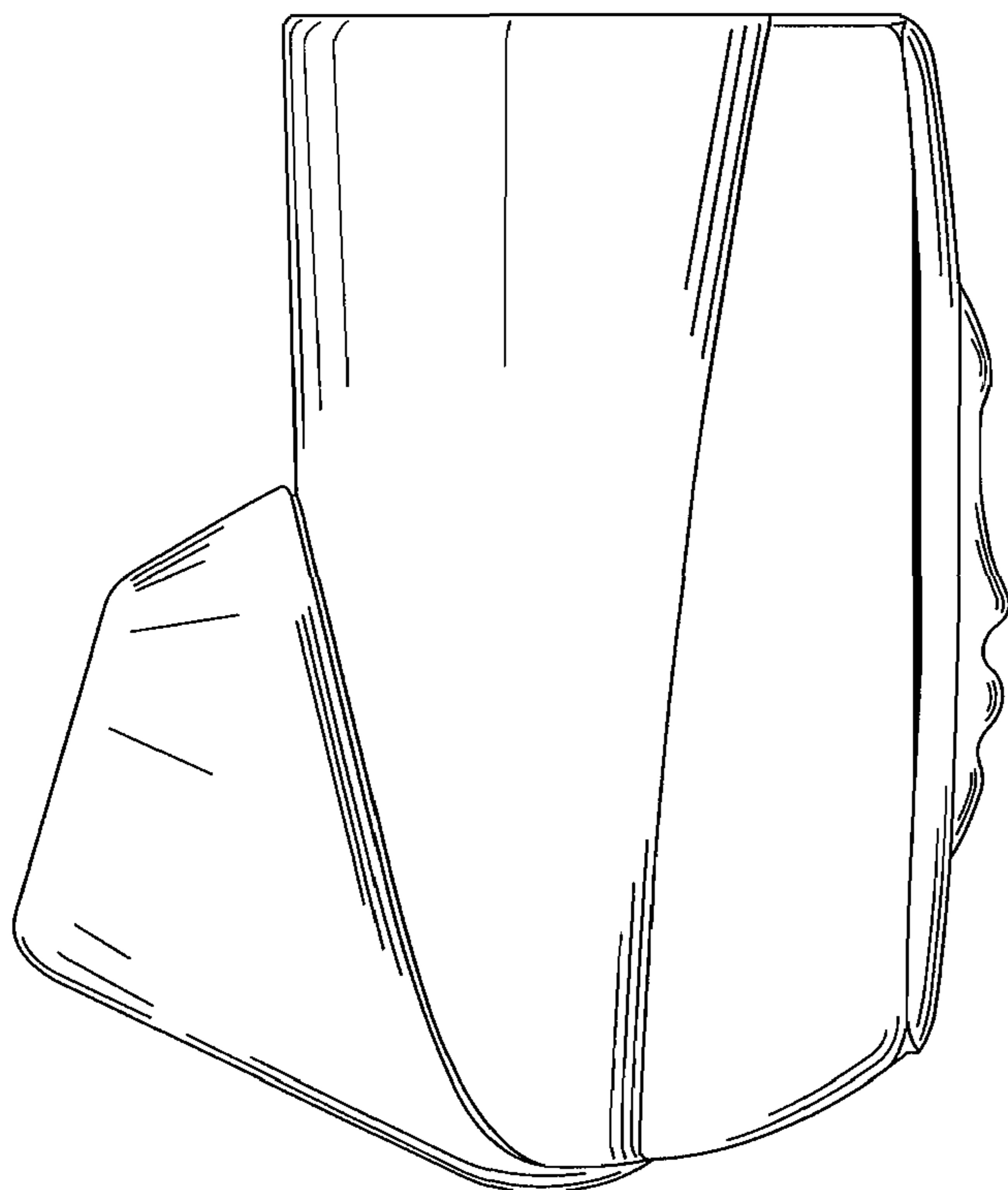


FIG. 7

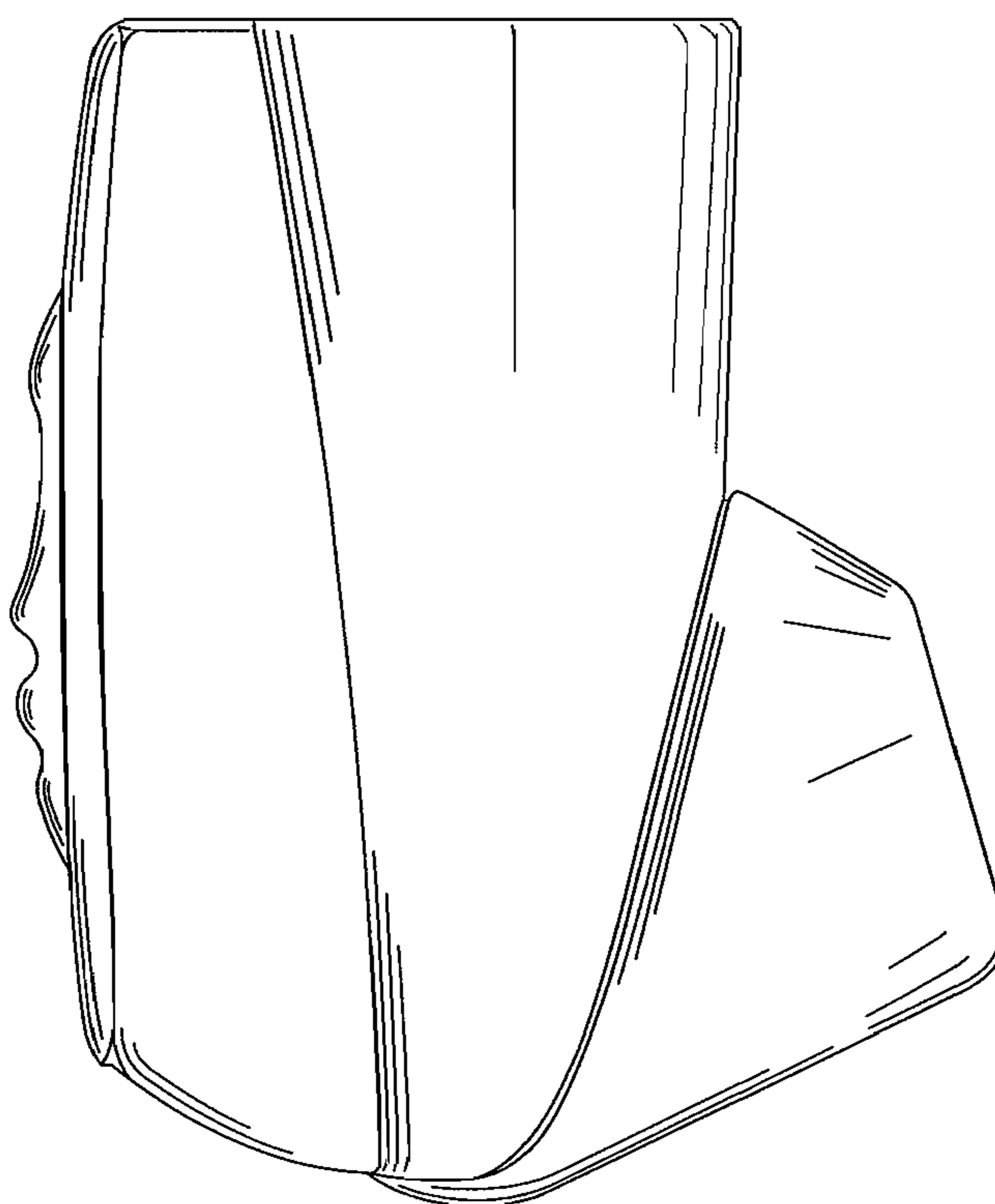


FIG. 8

