



US00D582543S

(12) **United States Design Patent**
Lucking

(10) **Patent No.:** **US D582,543 S**
(45) **Date of Patent:** **** Dec. 9, 2008**

(54) **INHALER**

(75) Inventor: **Samuel William Lucking**, Cheltenham (GB)

(73) Assignee: **Innovata Biomed Limited**, Edinburgh (GB)

(**) Term: **14 Years**

(21) Appl. No.: **29/243,491**

(22) Filed: **Nov. 23, 2005**

(30) **Foreign Application Priority Data**

May 25, 2005 (GB) 3021378

(51) **LOC (8) Cl.** **29-02**

(52) **U.S. Cl.** **D24/110**

(58) **Field of Classification Search** D24/110;
128/200.23, 200.12, 200.14, 200.21, 200.22,
128/203.12, 203.15, 205.23

See application file for complete search history.

(56) **References Cited**

U.S. PATENT DOCUMENTS

D348,929 S * 7/1994 Paton D24/110

D511,208 S * 11/2005 Pardonge et al. D24/110

D515,696 S * 2/2006 Lucking et al. D24/110

2005/0028815 A1 * 2/2005 Deaton et al. 128/200.23

* cited by examiner

Primary Examiner—Antoine D. Davis

Assistant Examiner—Christopher Lee

(74) *Attorney, Agent, or Firm*—Nixon Peabody LLP

(57) **CLAIM**

The ornamental design for an inhaler, as shown and described.

DESCRIPTION

FIG. 1 is a front, left perspective view of a first embodiment of a inhaler, the front, right perspective view is a mirror image of the front, left perspective view and thus is not shown;

FIG. 2 is a front view of the inhaler shown in FIG. 1;

FIG. 3 is a left side view of the inhaler shown in FIG. 1, the right side view is a mirror image of the left side view and thus is not shown;

FIG. 4 is a top plan view of the inhaler shown in FIG. 1;

FIG. 5 is a bottom view of the inhaler shown in FIG. 1;

FIG. 6 is a rear view of the inhaler shown in FIG. 1;

FIG. 7 is a rear, left perspective view of the inhaler shown in FIG. 1, the rear, right perspective view is a mirror image of the rear, left perspective view and thus is not shown;

FIG. 8 is a front, left perspective view of the inhaler shown in FIG. 1 with a mouthpiece cover removed, the front, right perspective view with the mouthpiece cover removed is a mirror image of the front, left perspective view with the mouthpiece cover removed and thus is not shown;

FIG. 9 is a front view of the inhaler shown in FIG. 1 with the mouthpiece cover removed;

FIG. 10 is a left side view of the inhaler shown in FIG. 1 with the mouthpiece cover removed, the right side view with the mouthpiece cover removed is a mirror image to the left side view with the mouthpiece cover removed and thus is not shown;

FIG. 11 is a top plan view of the inhaler shown in FIG. 1 with the mouthpiece cover removed;

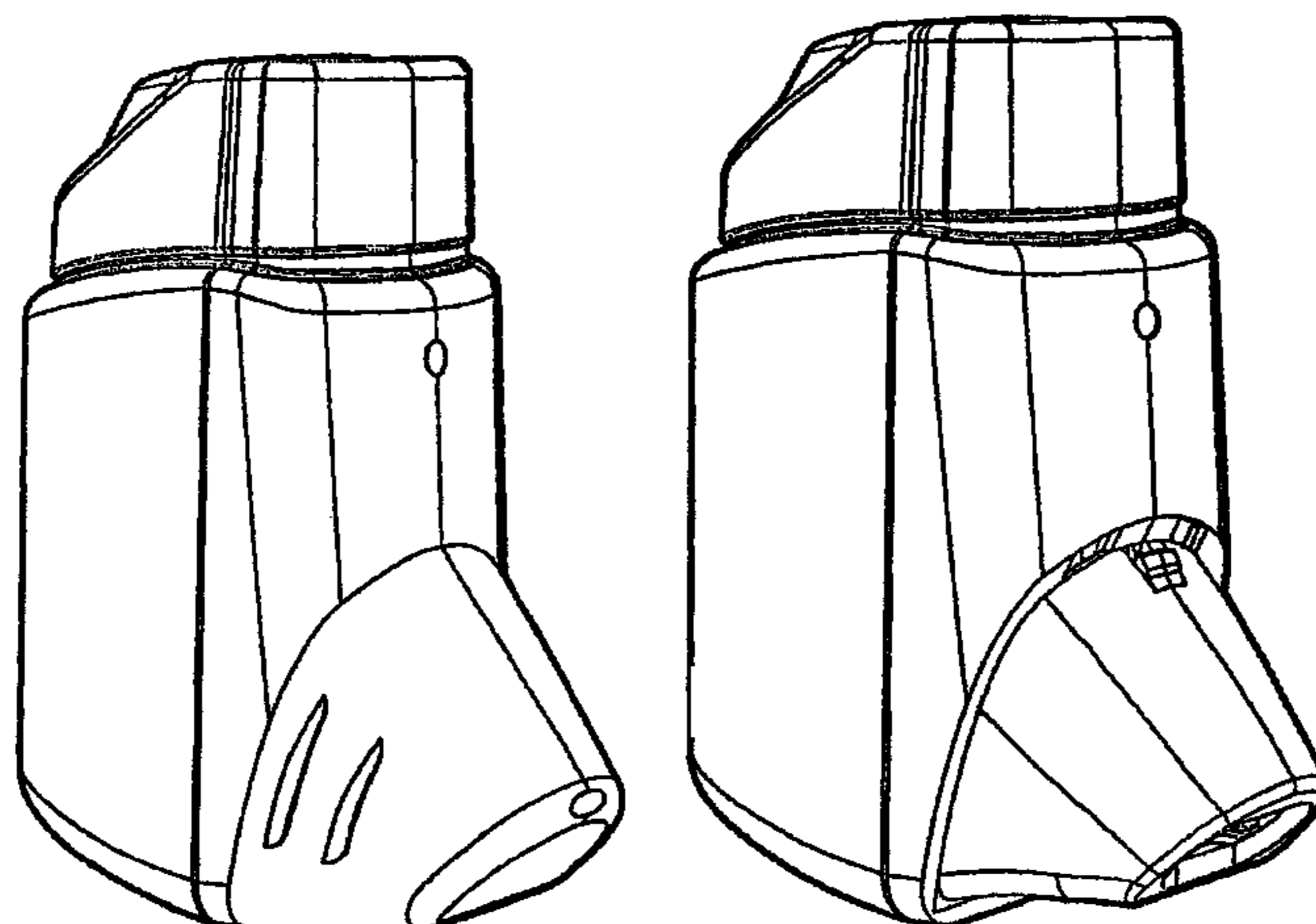
FIG. 12 is a bottom view of the inhaler shown in FIG. 1 with the moutpiece cover removed;

FIG. 13 is a rear view of the inhaler shown in FIG. 1 with the mouthpiece cover removed; and,

FIG. 14 is a rear, left perspective view of the inhaler shown in FIG. 1 with the mouthpiece cover removed, the rear, right perspective view with the mouthpiece cover removed is a mirror image of the rear, left perspective view with the mouthpiece cover removed and thus is not shown.

In FIGS. 8–14, all views of an inhaler with the mouthpiece cover removed for ease of illustration.

1 Claim, 7 Drawing Sheets



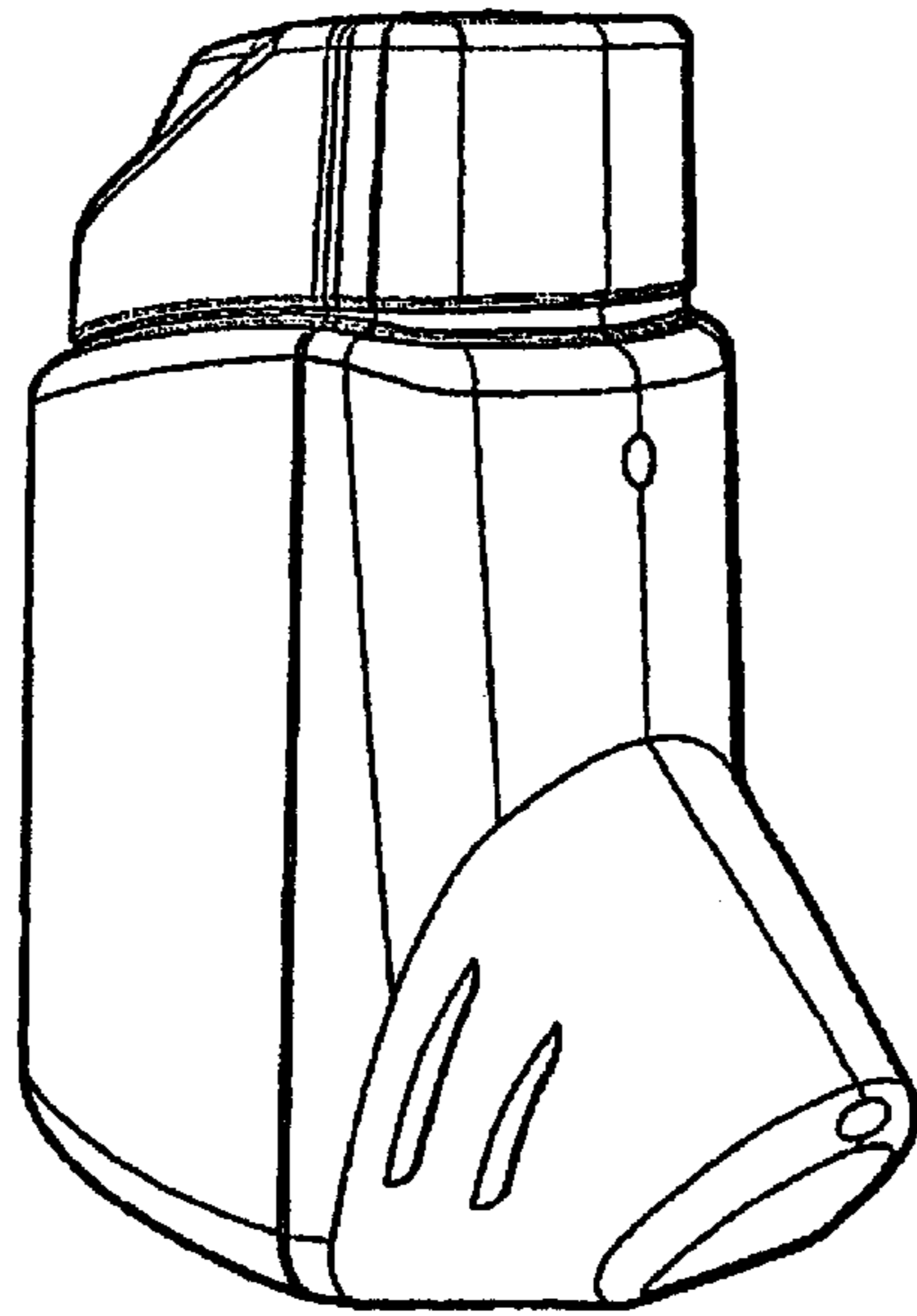


Figure 1

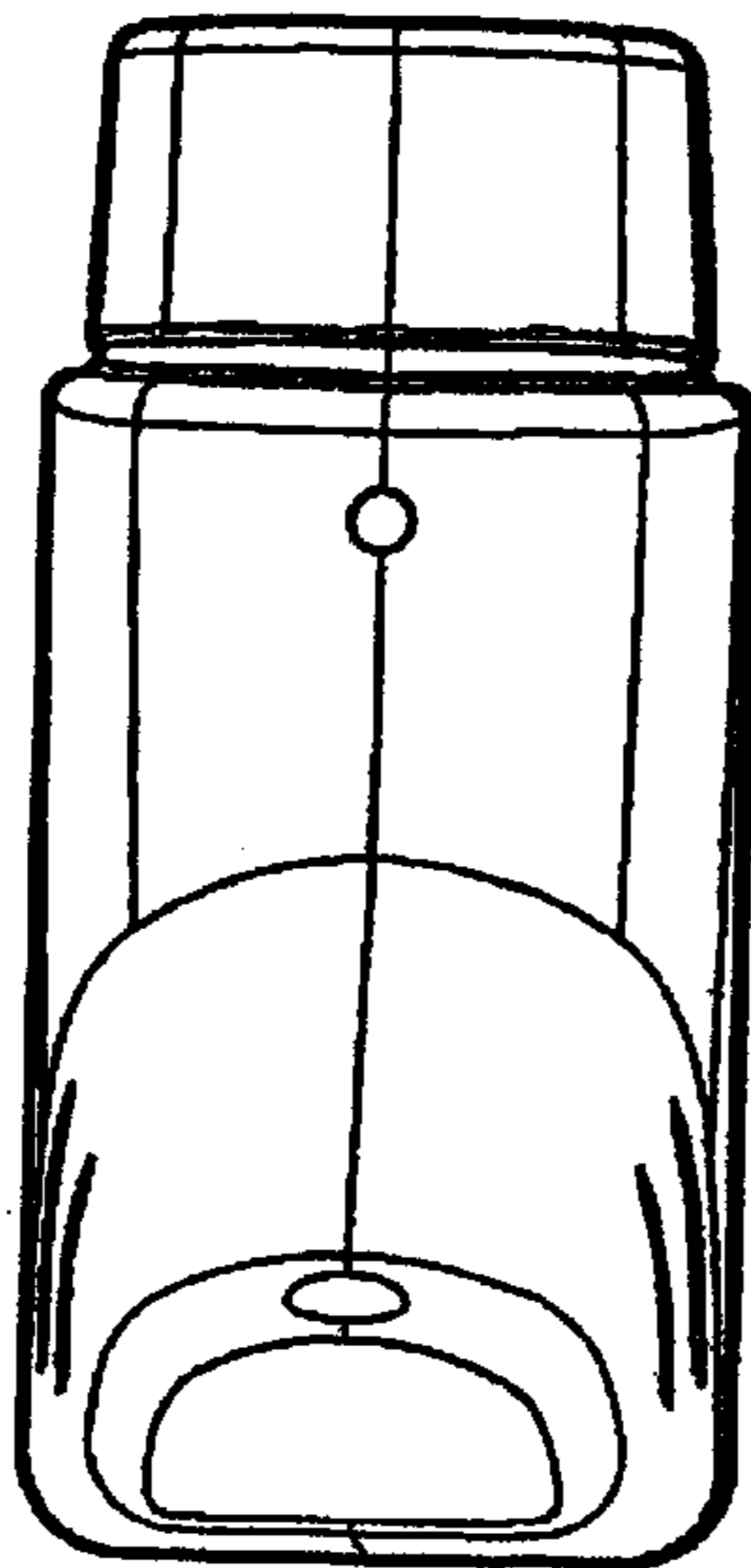


Figure 2

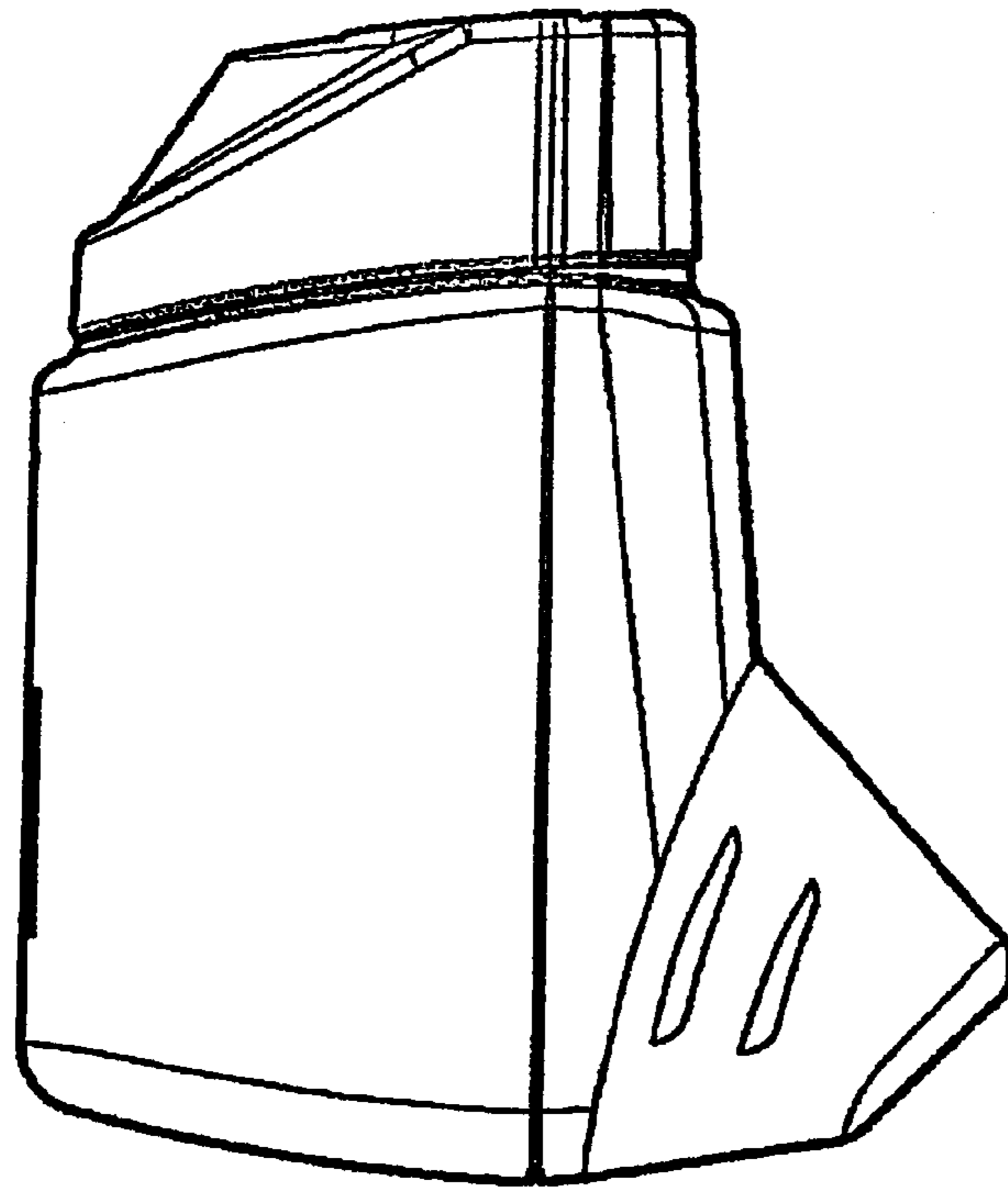


Figure 3

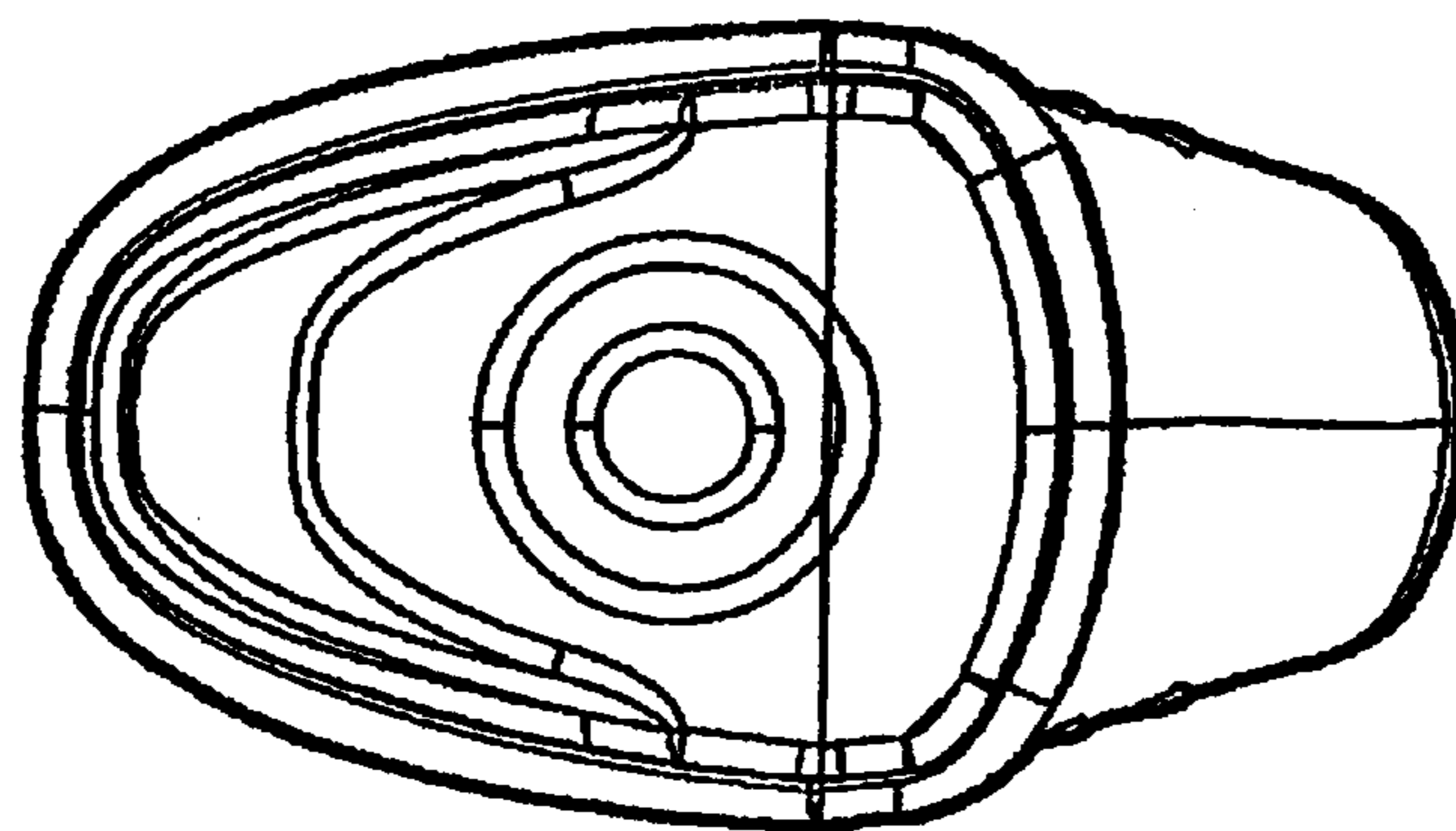


Figure 4

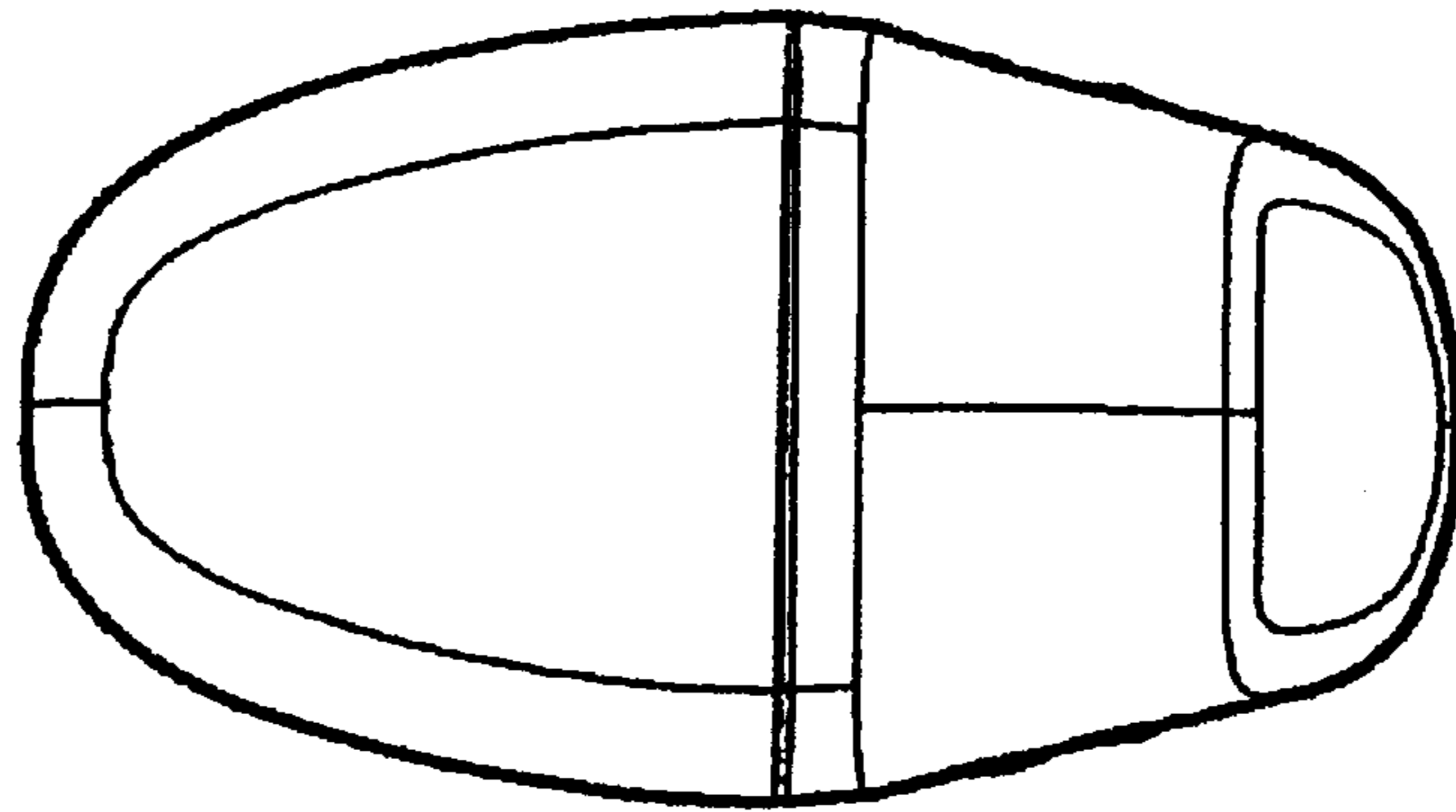


Figure 5

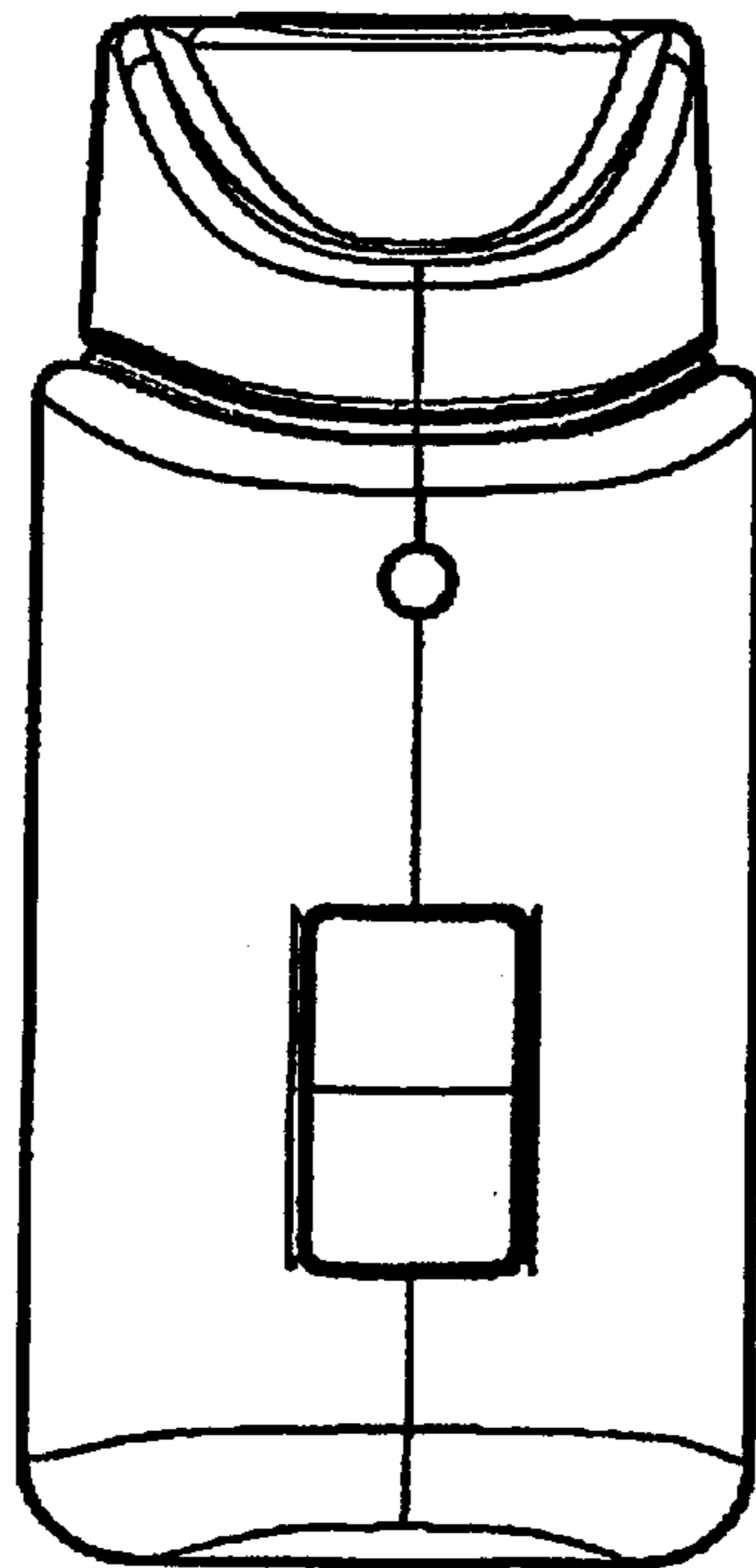


Figure 6

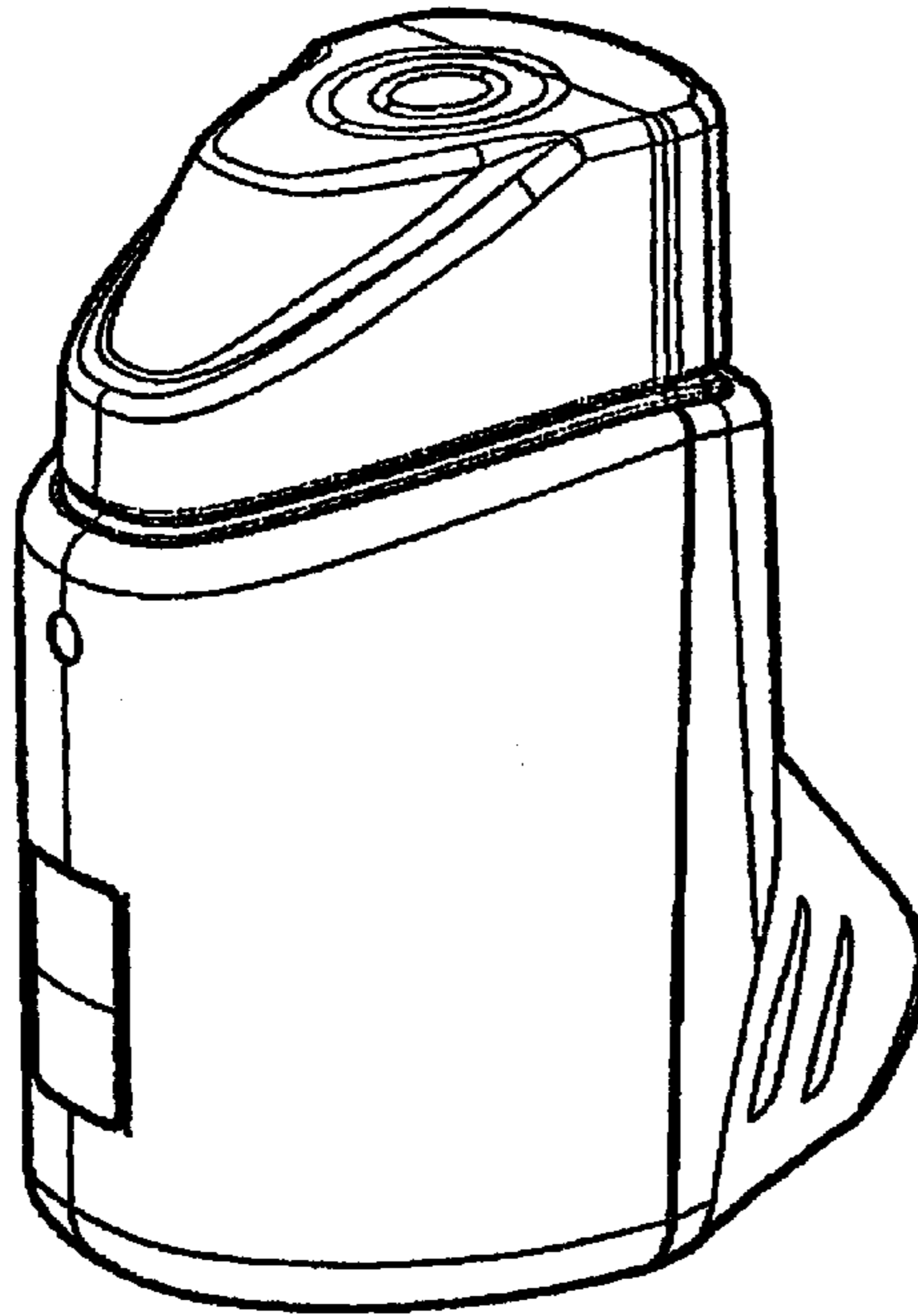


Figure 7

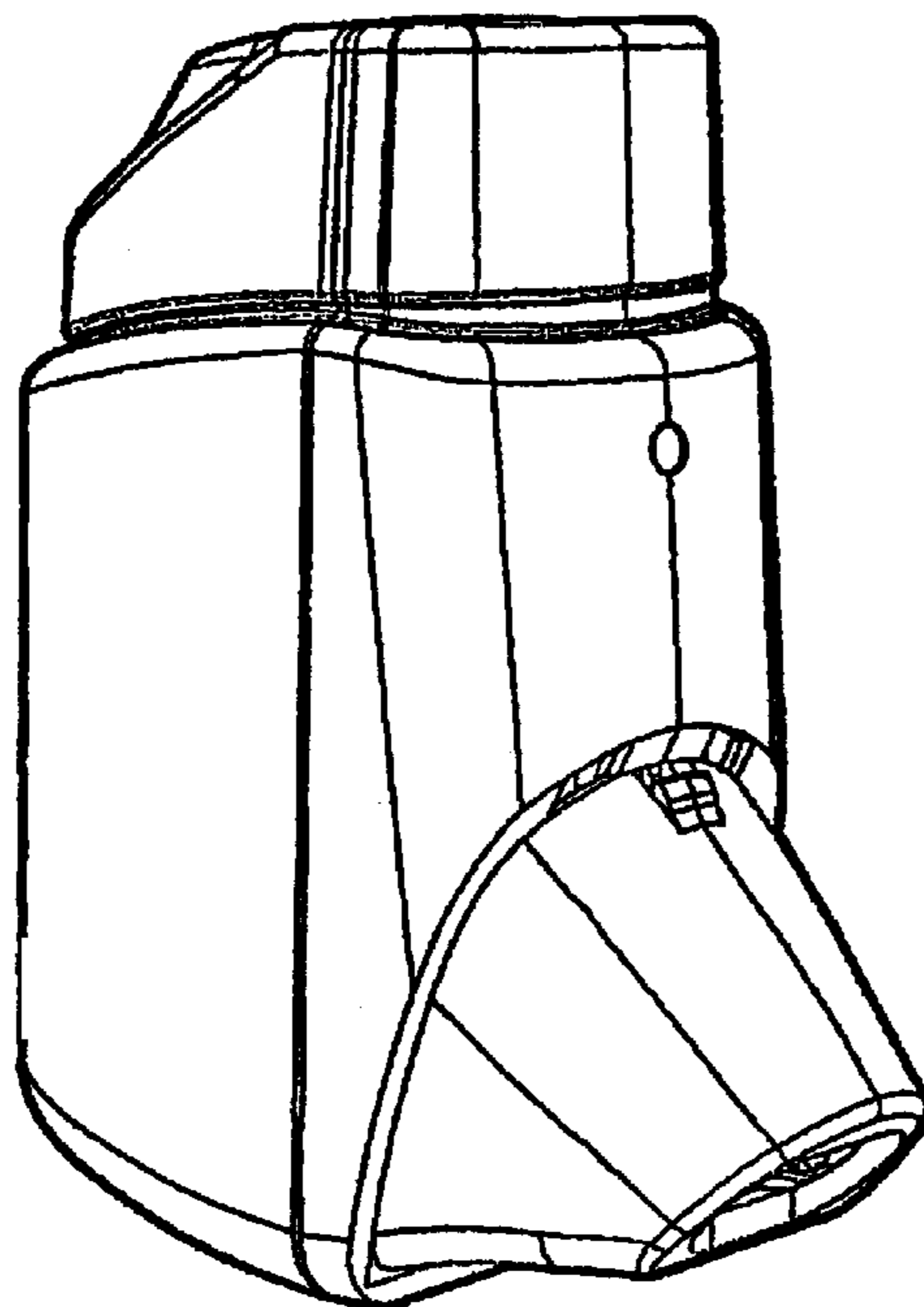


Figure 8

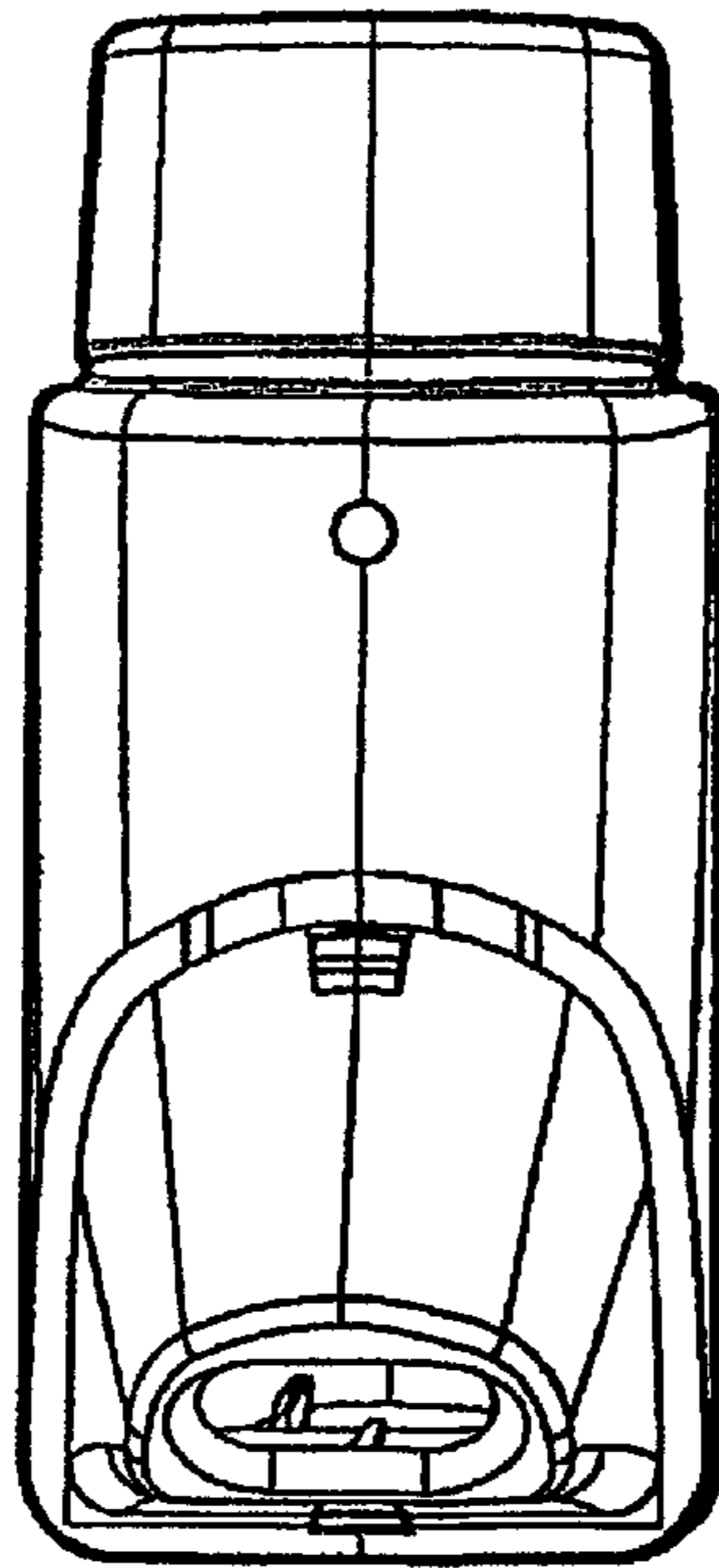


Figure 9

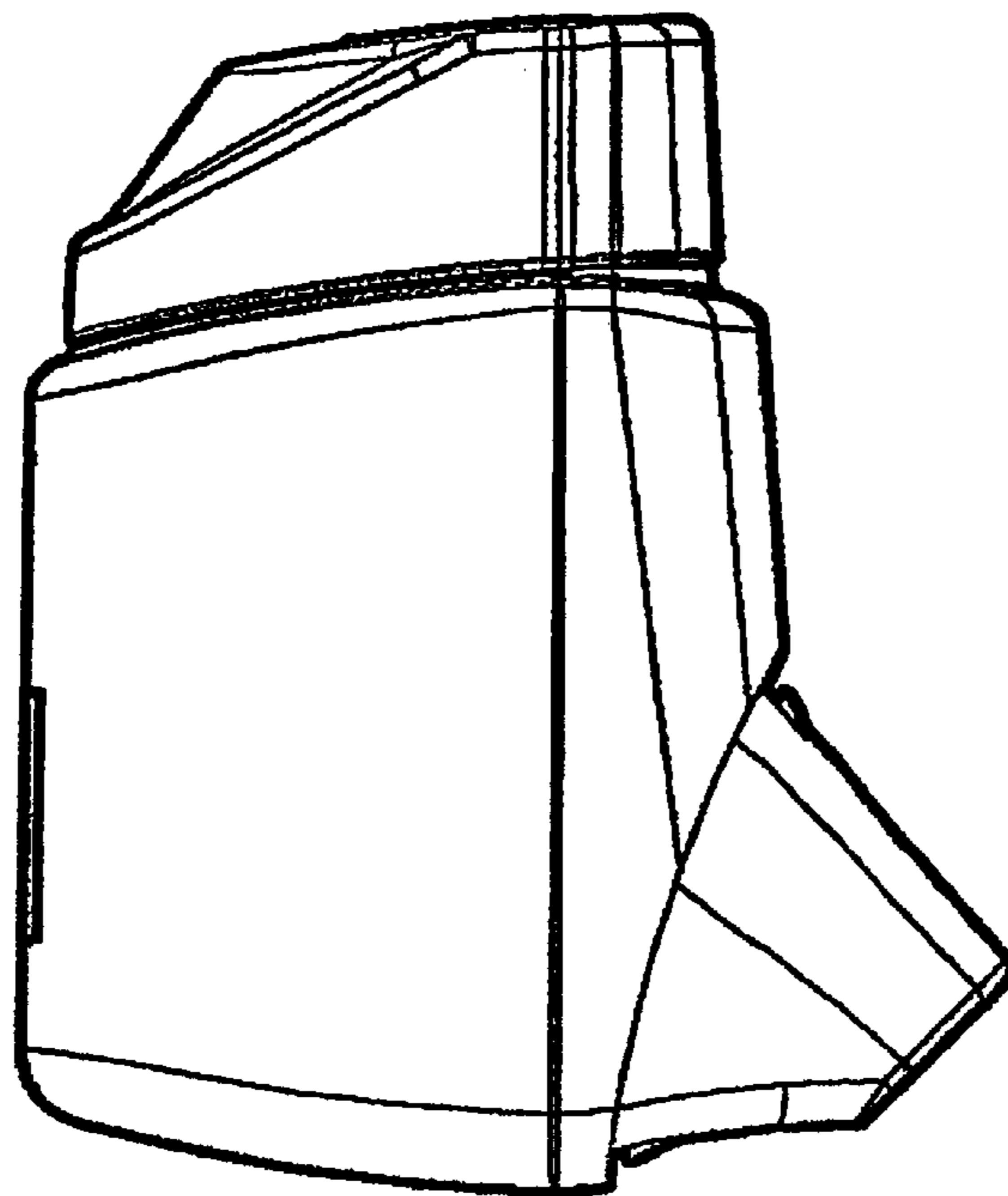


Figure 10

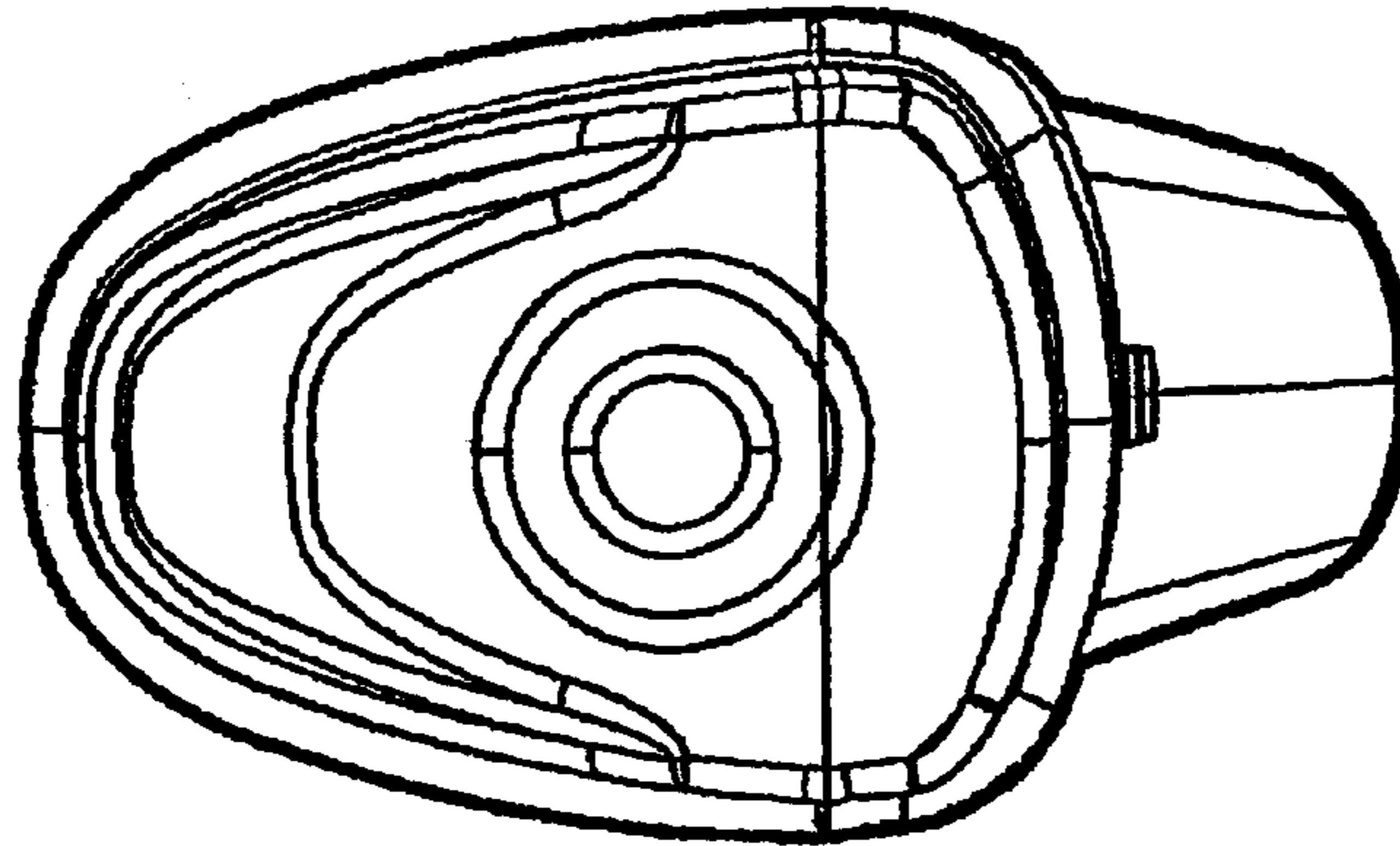


Figure 11

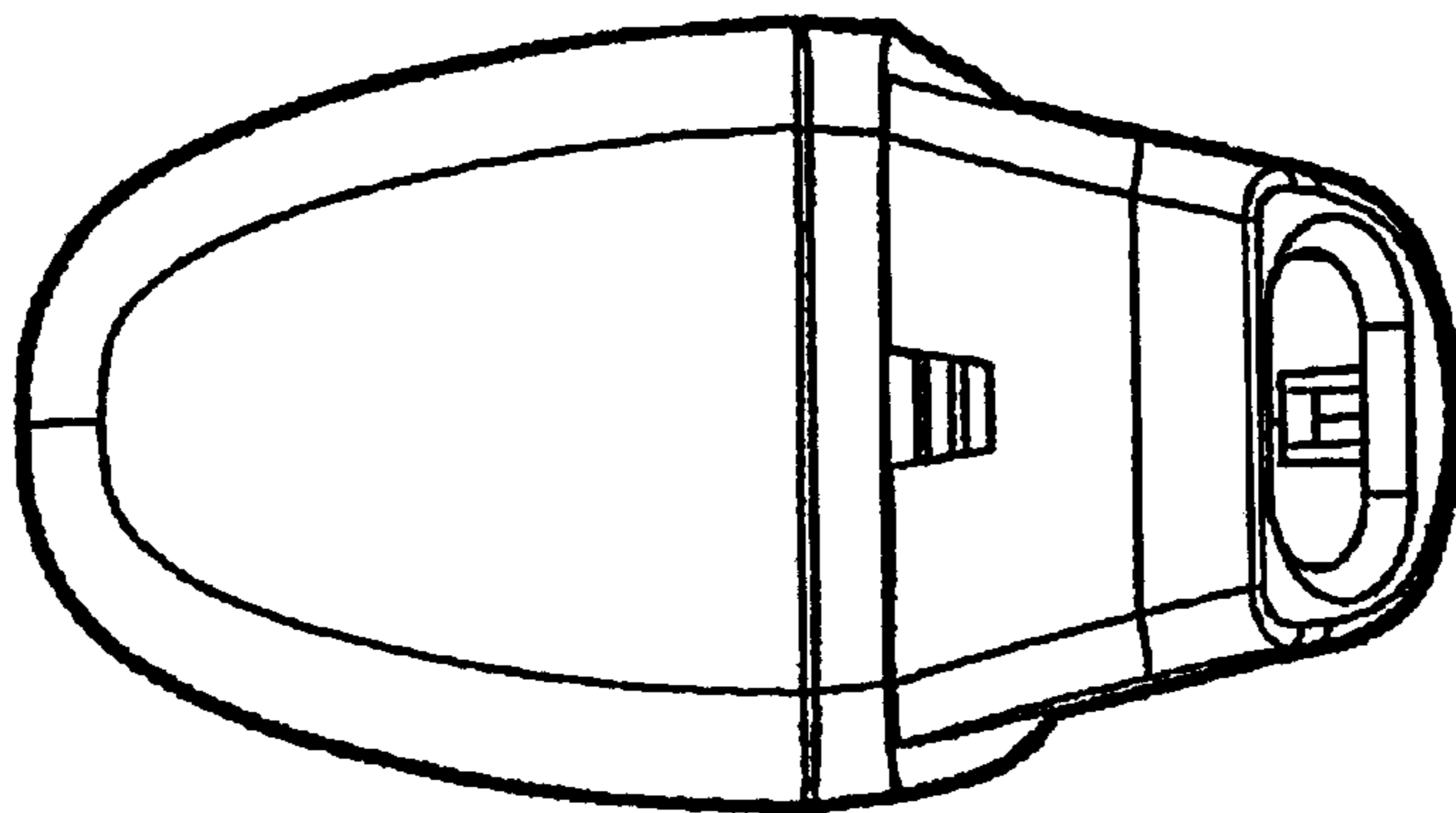


Figure 12

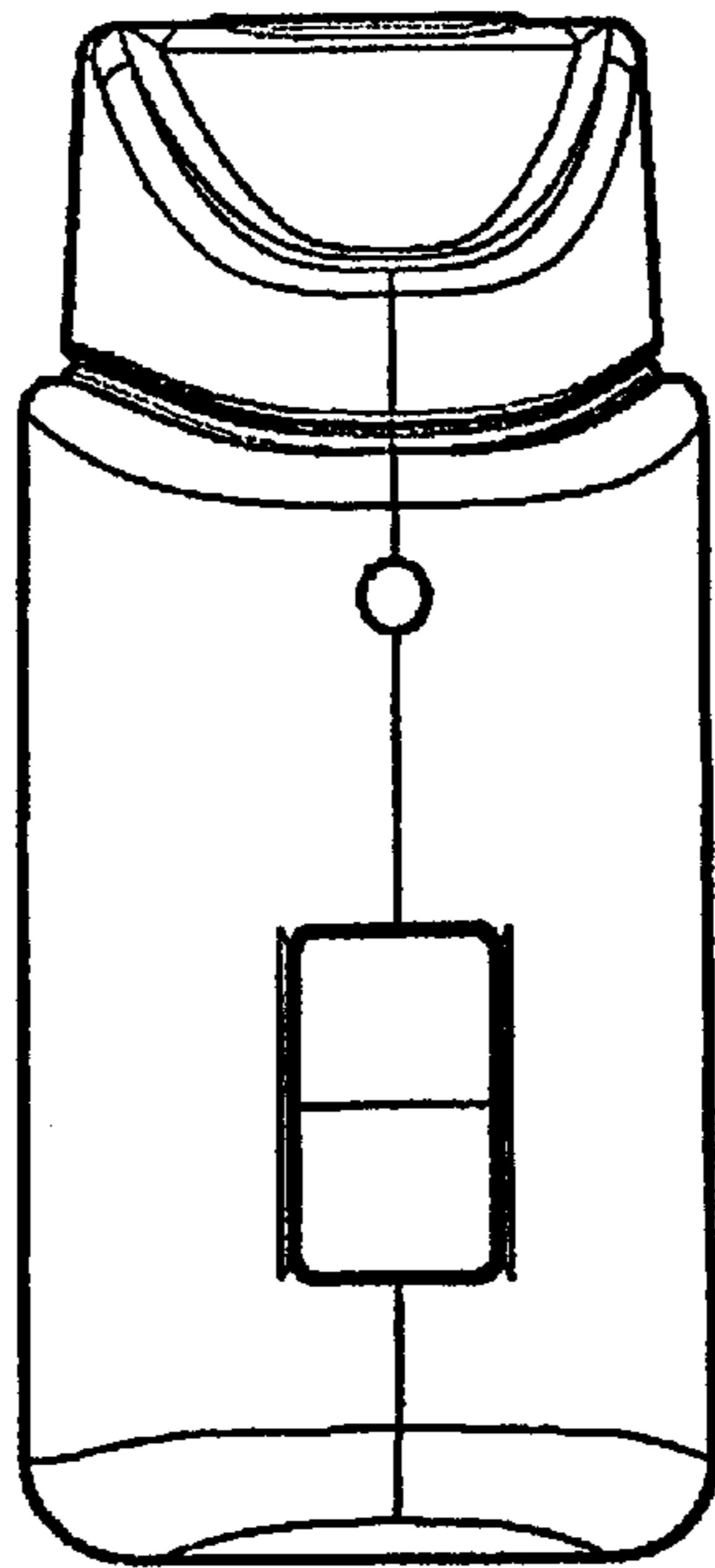


Figure 13

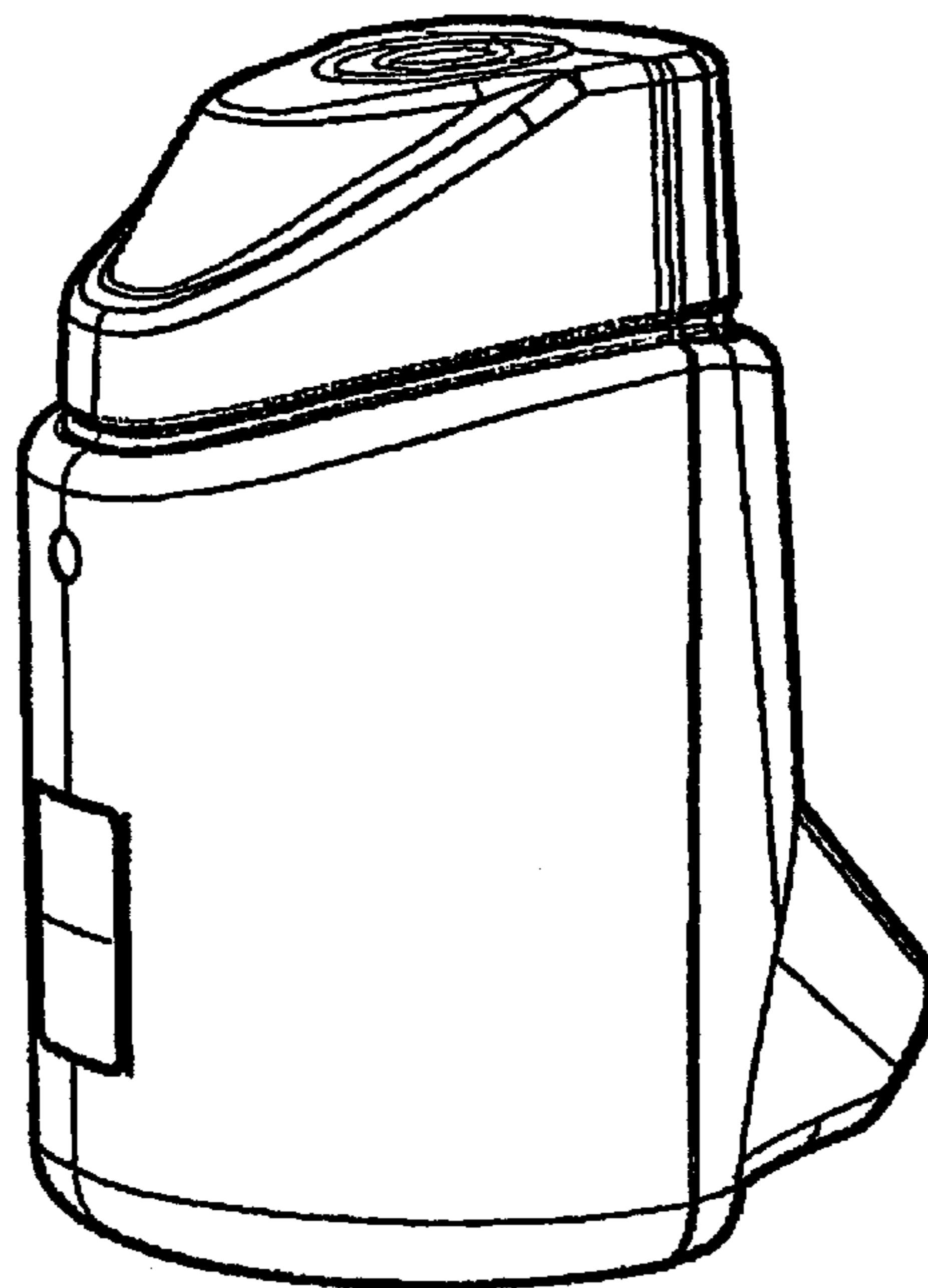


Figure 14