



US00D582541S

(12) **United States Design Patent**
Lai

(10) **Patent No.:** **US D582,541 S**
(45) **Date of Patent:** **** Dec. 9, 2008**

(54) **FAN GRILL**

D532,097 S * 11/2006 Hidalgo et al. D23/377

(75) Inventor: **Huo-Cheng Lai**, Tanzih Township,
Taichung County (TW)

* cited by examiner

Primary Examiner—Lisa P Lichtenstein

(73) Assignee: **Air Cool Industrial Co., Ltd**, Taichung
(TW)

(74) *Attorney, Agent, or Firm*—Ming Chow; Sinorica, LLC

(**) Term: **14 Years**

(57) **CLAIM**

(21) Appl. No.: **29/320,718**

I claim the ornamental design for a fan grill, as shown and described.

(22) Filed: **Jul. 2, 2008**

DESCRIPTION

(51) **LOC (8) Cl.** **23-04**

FIG. 1 is a front perspective view of a fan grill showing my new design;

(52) **U.S. Cl.** **D23/412**

FIG. 2 is a front elevational view thereof;

(58) **Field of Classification Search** D23/412,

FIG. 3 is a rear elevational view thereof.

D23/411, 377, 379, 385; 416/5, 247 R

FIG. 4 is a left side elevational view thereof;

See application file for complete search history.

FIG. 5 is a right side elevational view thereof;

(56) **References Cited**

FIG. 6 is a top plan view thereof; and,

U.S. PATENT DOCUMENTS

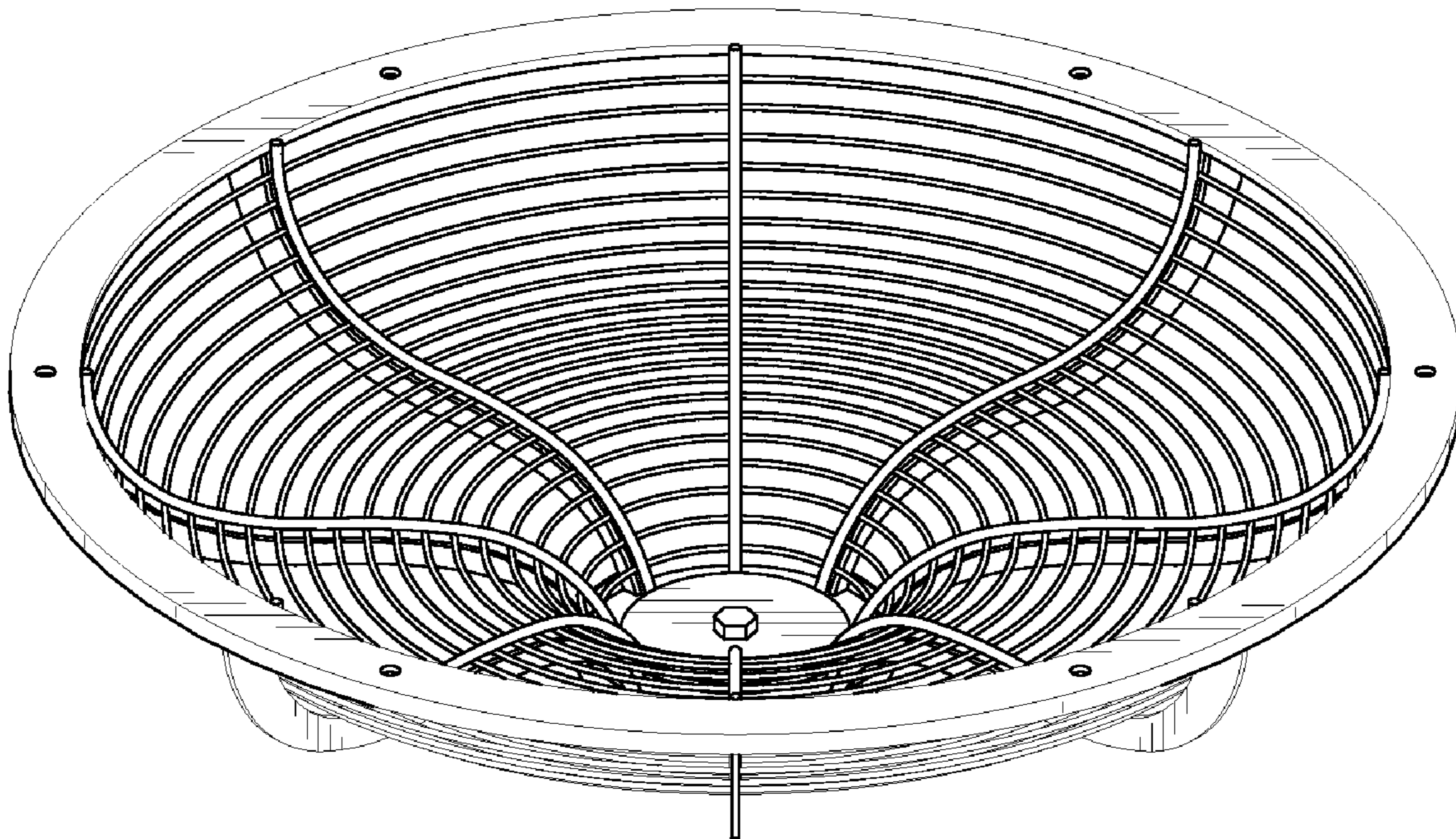
FIG. 7 is a bottom plan view thereof.

D426,879 S * 6/2000 Gajewski D23/411

D484,587 S * 12/2003 Bucher et al. D23/377

D531,299 S * 10/2006 Hidalgo D23/377

1 Claim, 5 Drawing Sheets



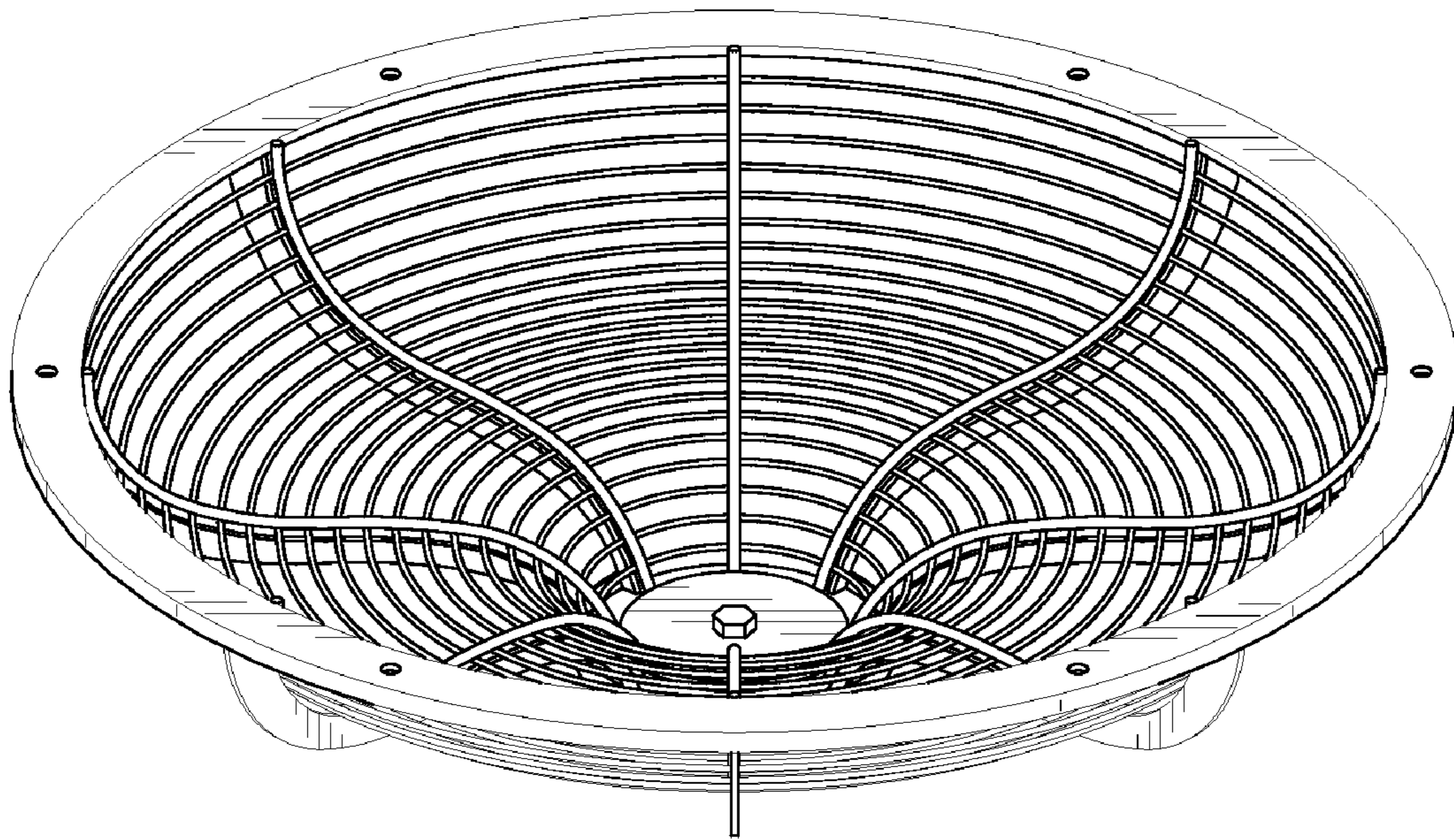


FIG. 1

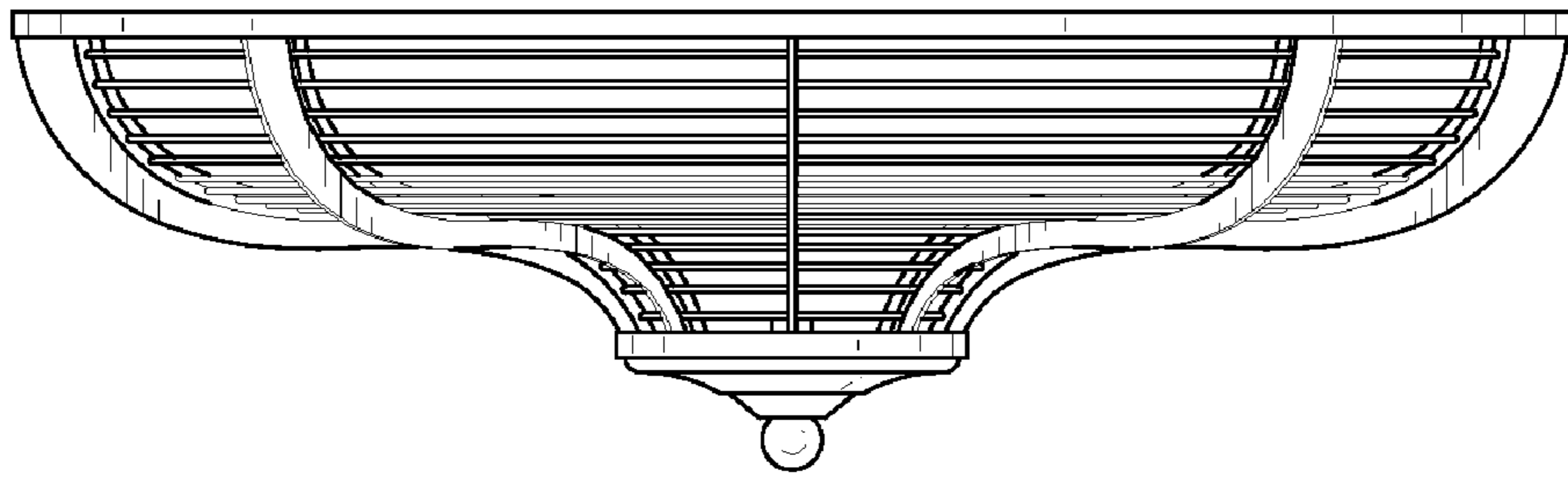


FIG. 2

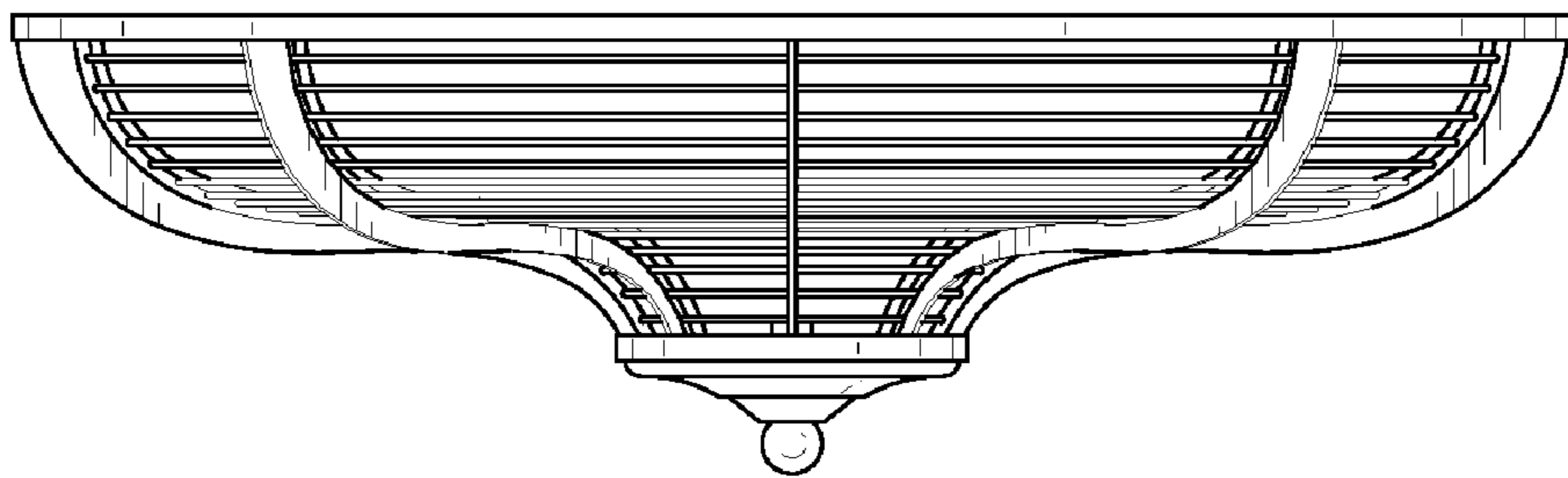


FIG. 3

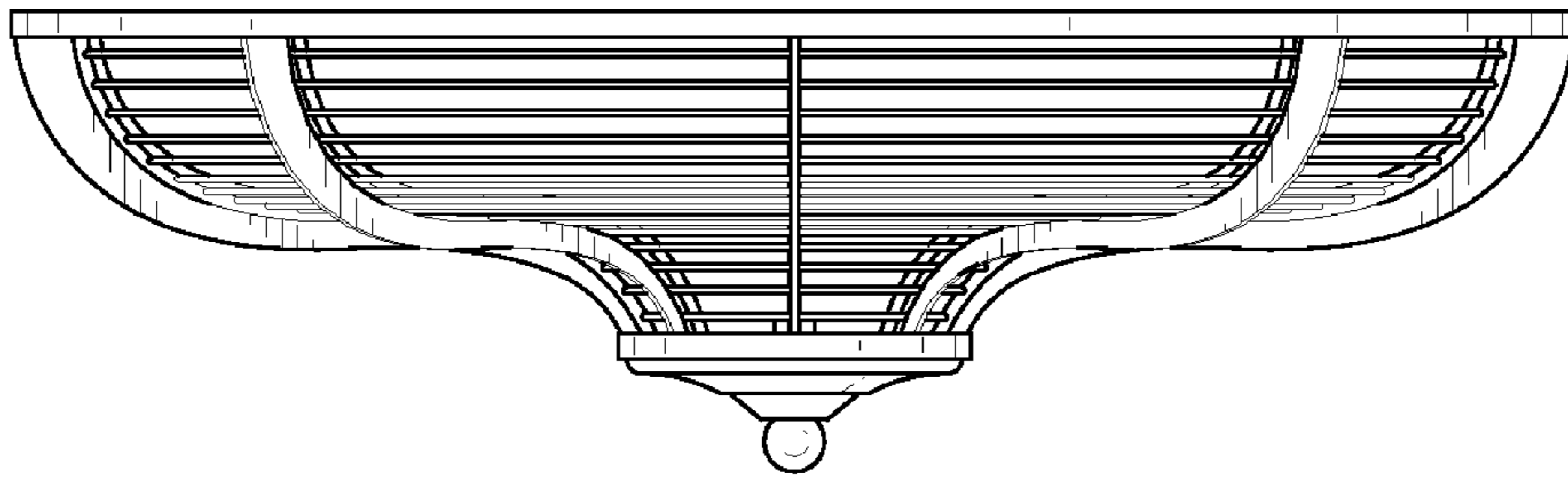


FIG. 4

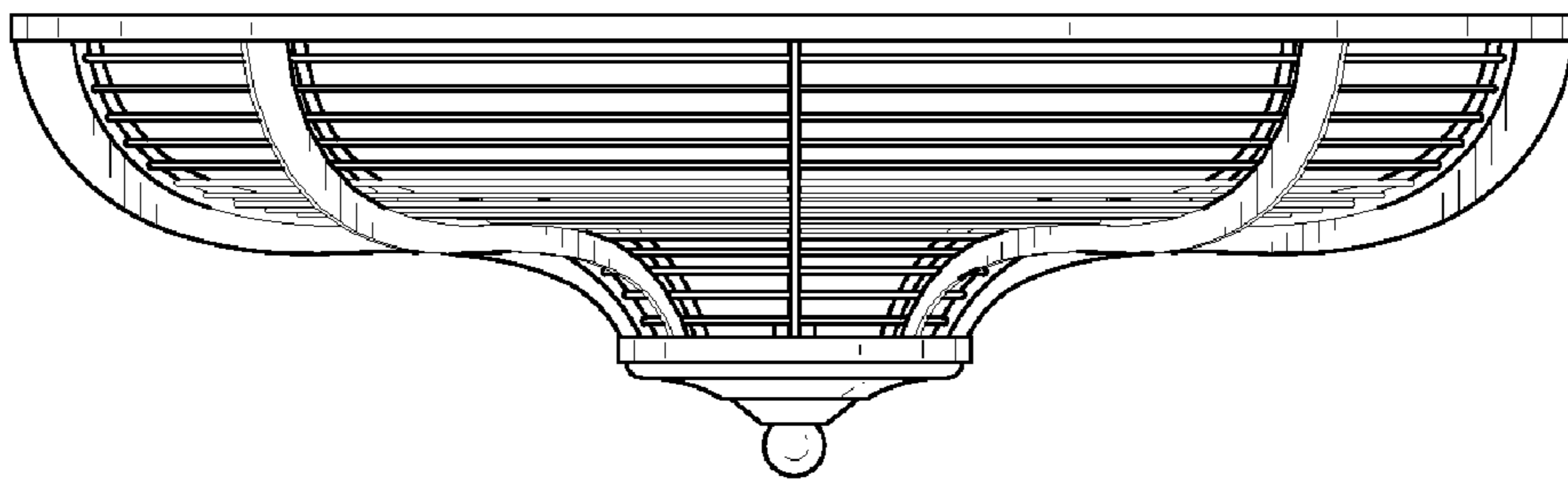


FIG. 5

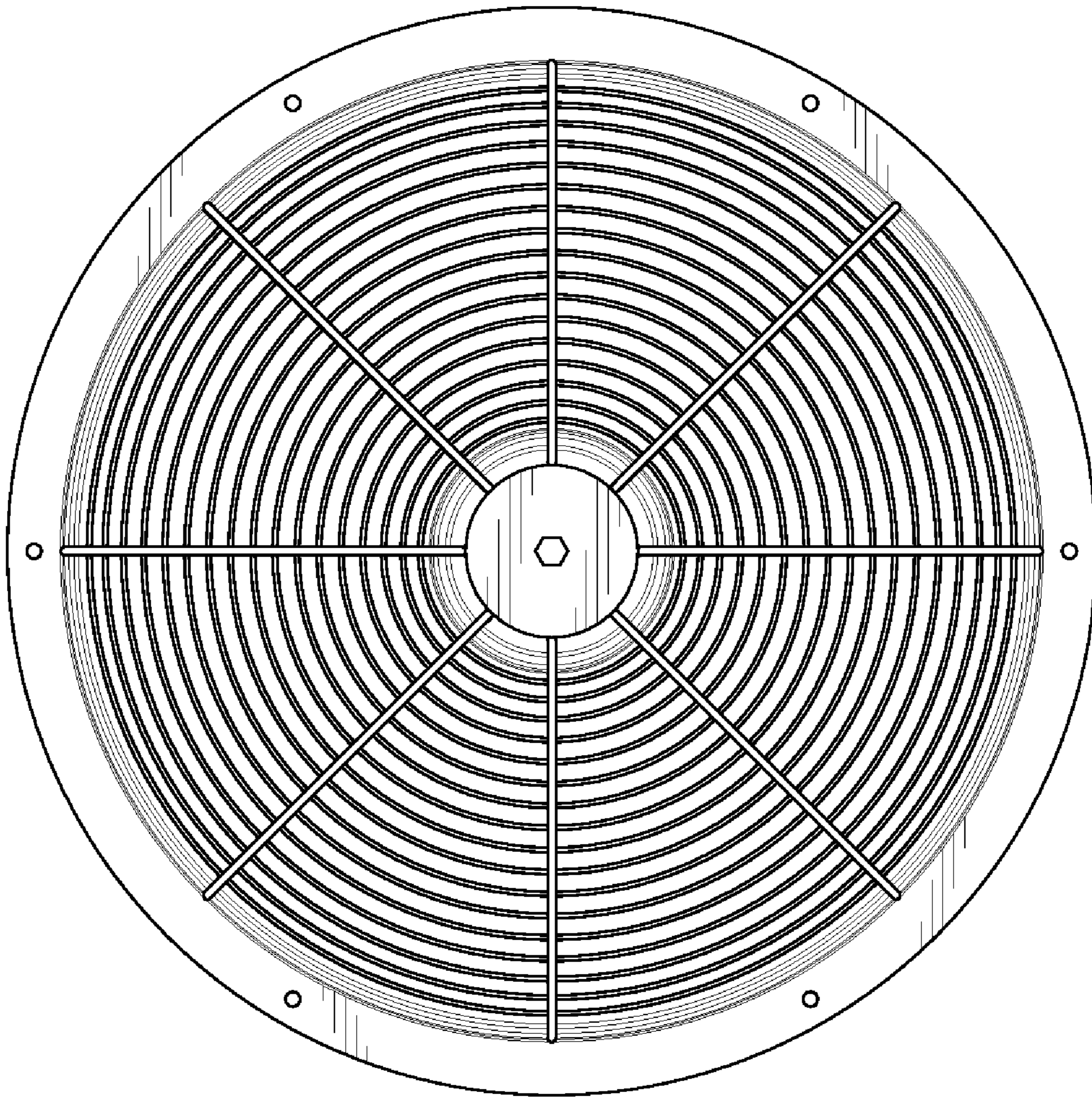


FIG. 6

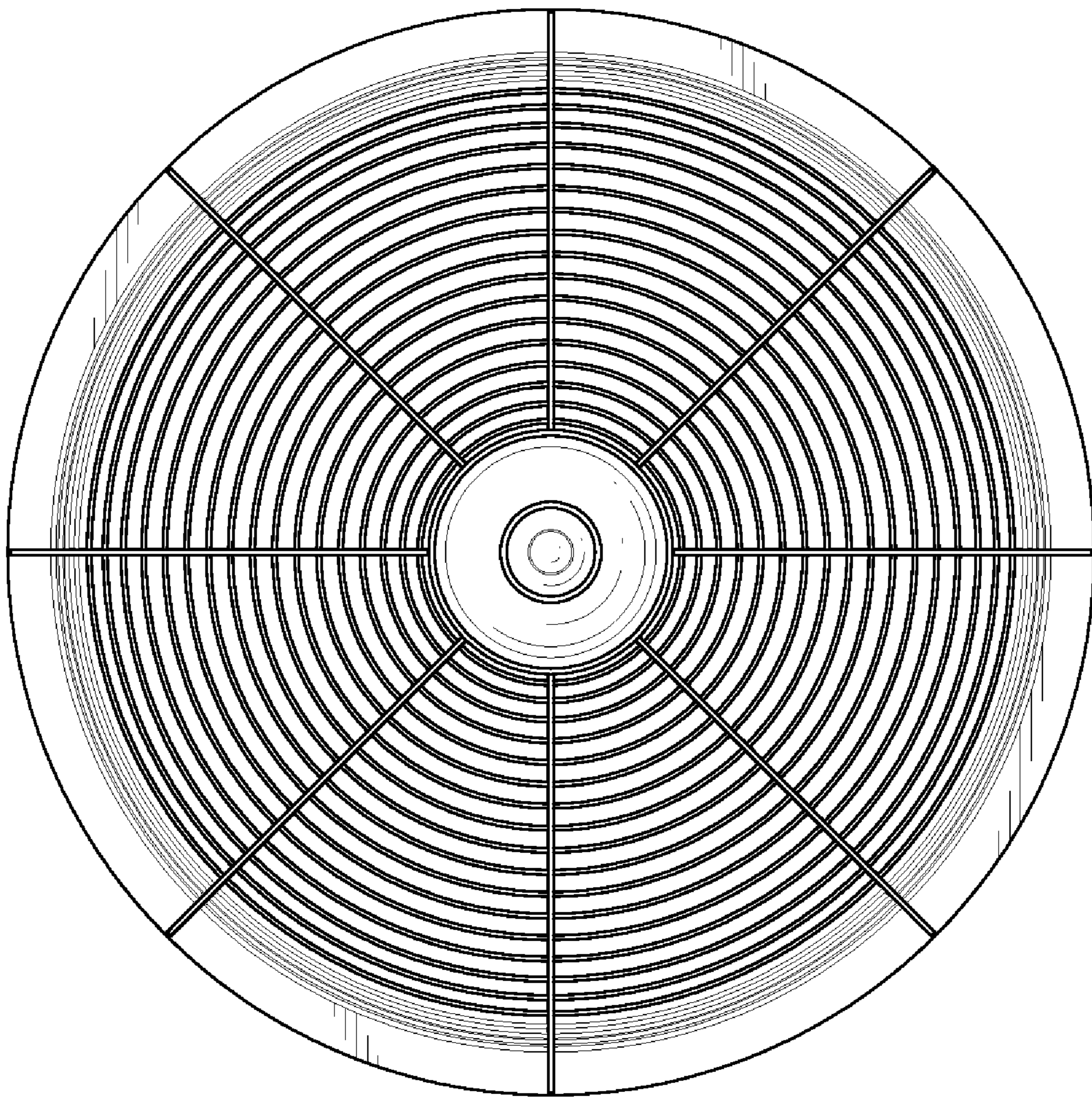


FIG. 7