



US00D582539S

(12) **United States Design Patent**  
**Hsu**

(10) **Patent No.:** **US D582,539 S**  
(45) **Date of Patent:** **\*\* Dec. 9, 2008**

(54) **FAN**

(76) Inventor: **Kuei-chih Hsu**, Yongmei Garden 25,  
Meihua Fazenda, Minzhi Village,  
Longhua town, Baoan Shenzhen (CN)

(\*\*) Term: **14 Years**

(21) Appl. No.: **29/250,280**

(22) Filed: **Nov. 8, 2006**

(51) **LOC (8) Cl.** ..... **23-04**

(52) **U.S. Cl.** ..... **D23/380**

(58) **Field of Classification Search** ..... D23/382,  
D23/381, 332, 370, 380; 416/246 R, 247 R,  
416/244 R; 417/423.15

See application file for complete search history.

(56) **References Cited**

U.S. PATENT DOCUMENTS

D407,478 S *	3/1999	Wilson, Jr. ....	D23/370
D413,685 S *	9/1999	Lasko et al. ....	D23/381
D421,494 S *	3/2000	Rossman et al. ....	D23/381
D541,404 S *	4/2007	Russak et al. ....	D23/380
D547,854 S *	7/2007	Russak et al. ....	D23/380

\* cited by examiner

*Primary Examiner*—Lisa Lichtenstein  
(74) *Attorney, Agent, or Firm*—Egbert Law Offices

(57) **CLAIM**

The ornamental design for a fan, as shown and described.

**DESCRIPTION**

FIG. 1 is an enlarged top plan view of the fan showing my design.

FIG. 2 is a greatly enlarged bottom view thereof;

FIG. 3 is a front view thereof;

FIG. 4 is a side elevation view thereof;

FIG. 5 is a reduced back view thereof;

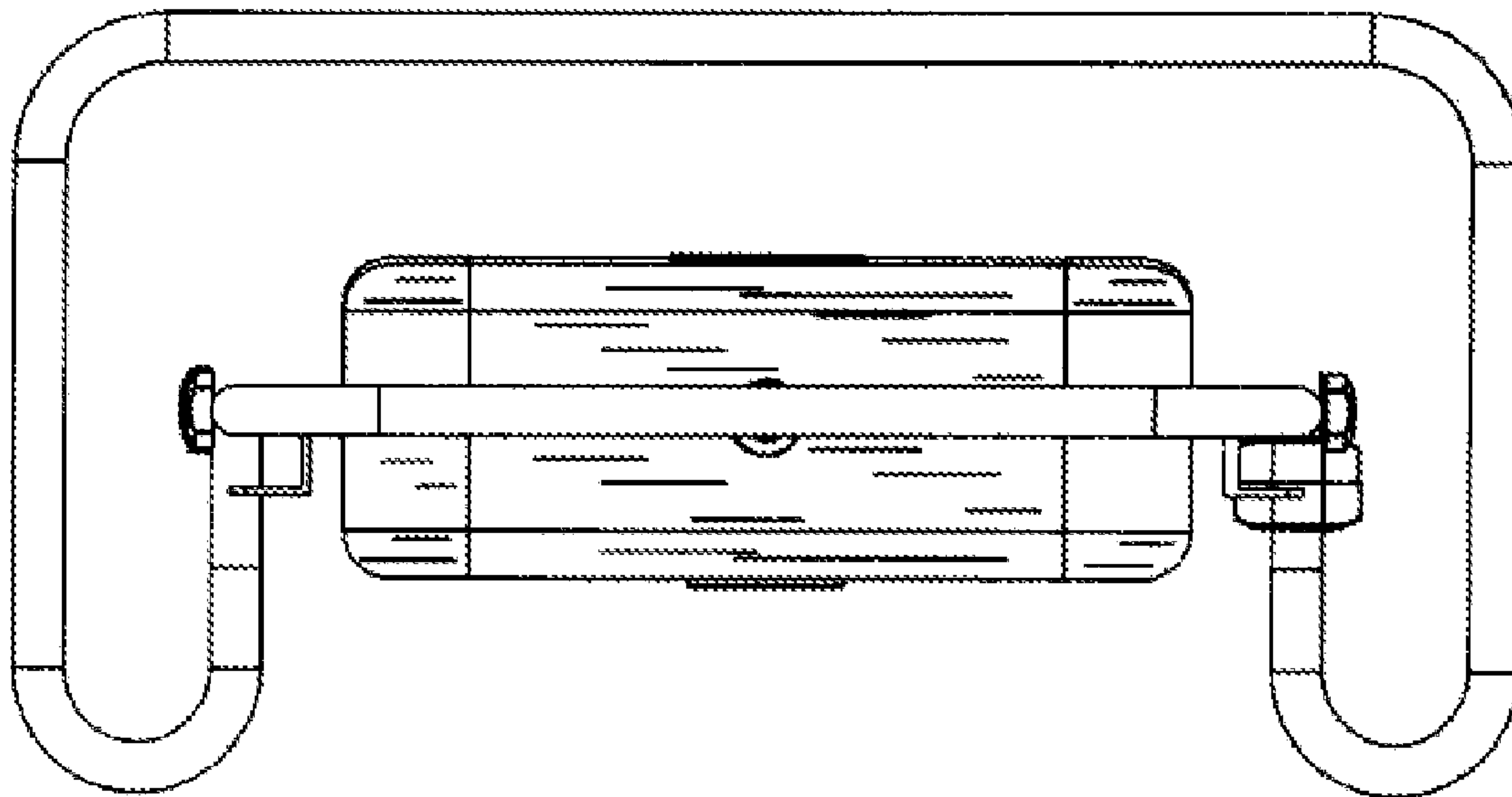
FIG. 6 is an opposite side elevation view thereof;

FIG. 7 is an upper perspective view thereof;

FIG. 8 is another front view showing rotation of fan elements; and,

FIG. 9 is another reduced side elevation view showing tilting of fan elements.

**1 Claim, 9 Drawing Sheets**



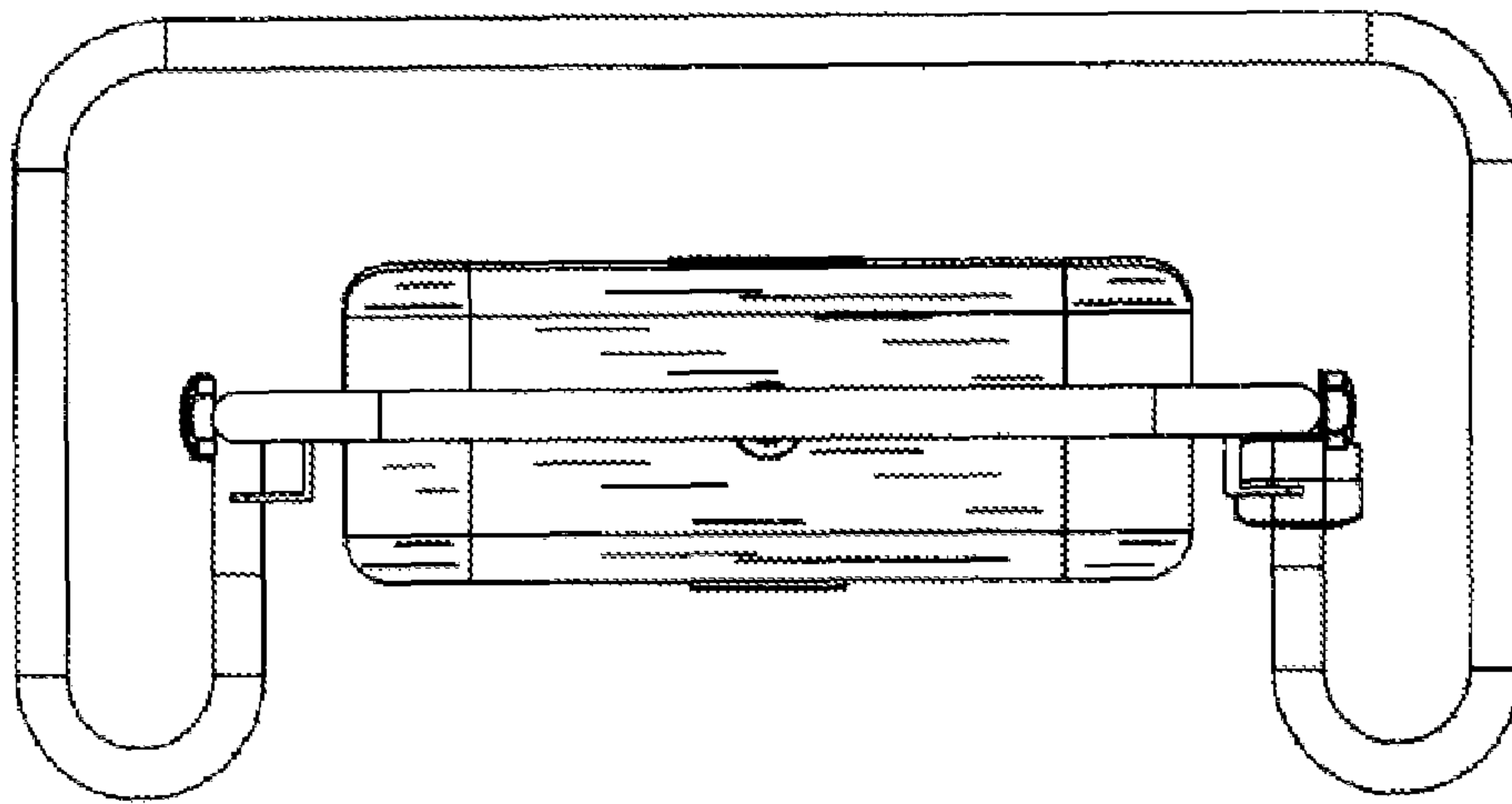


FIG. 1

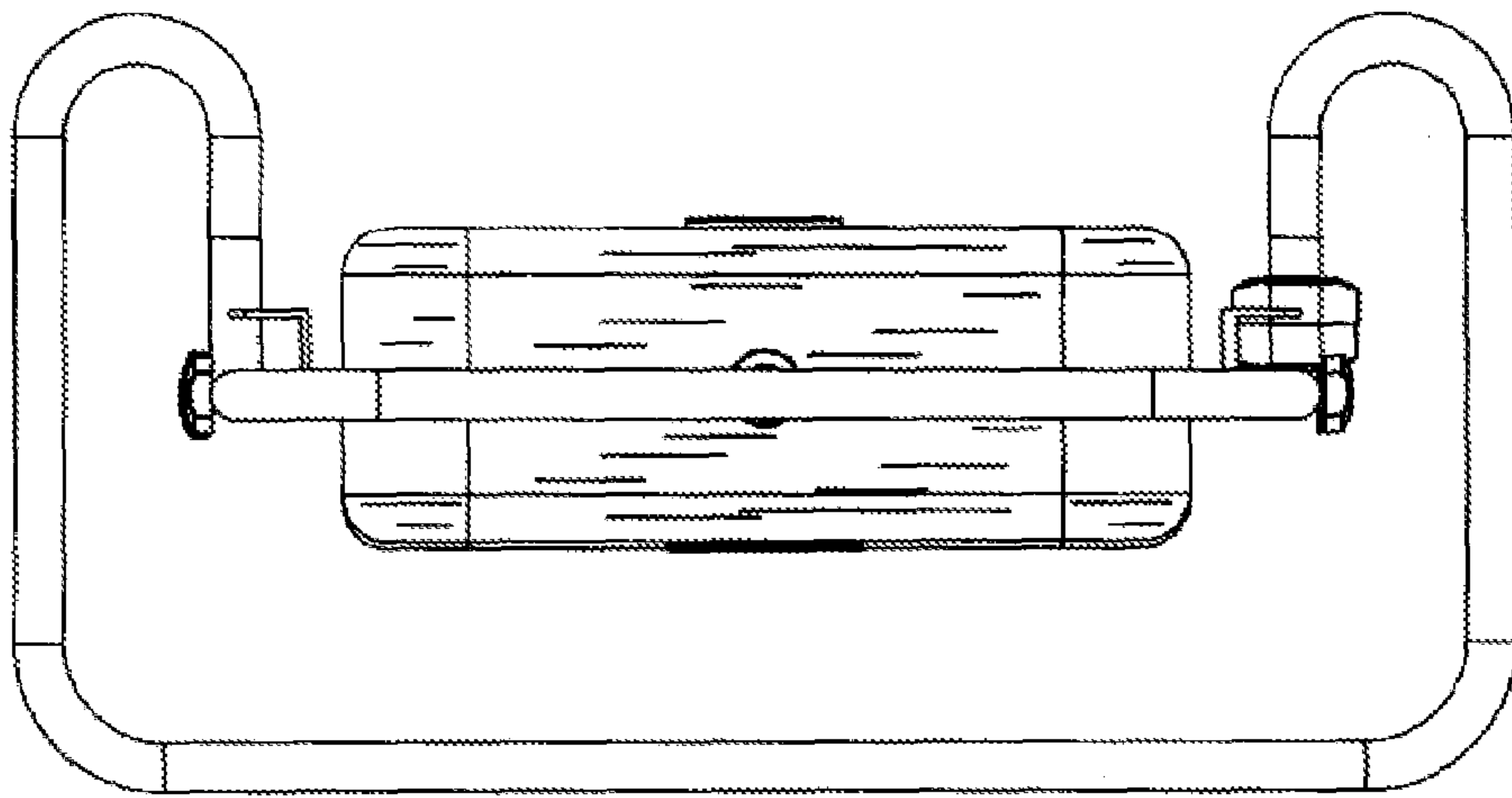


FIG. 2

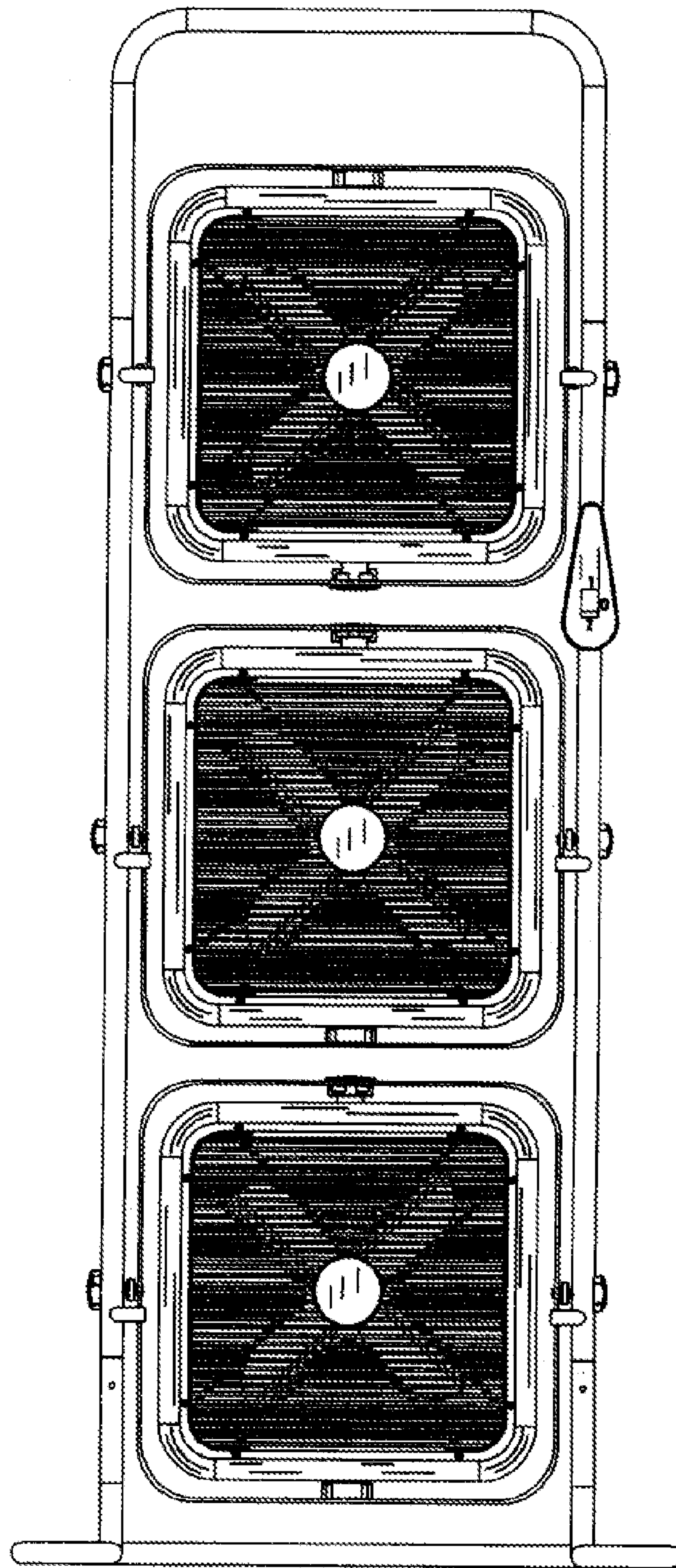


FIG. 3

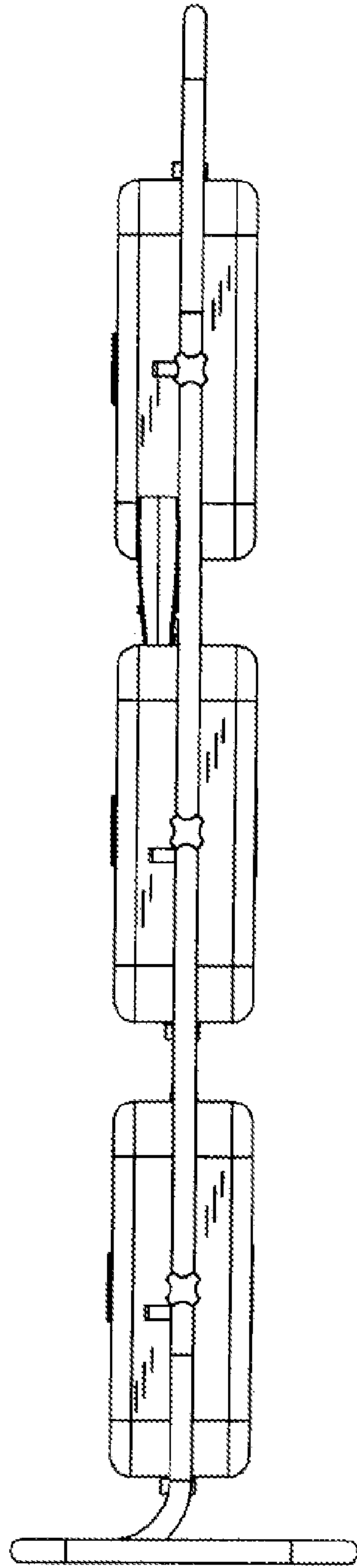


FIG. 4

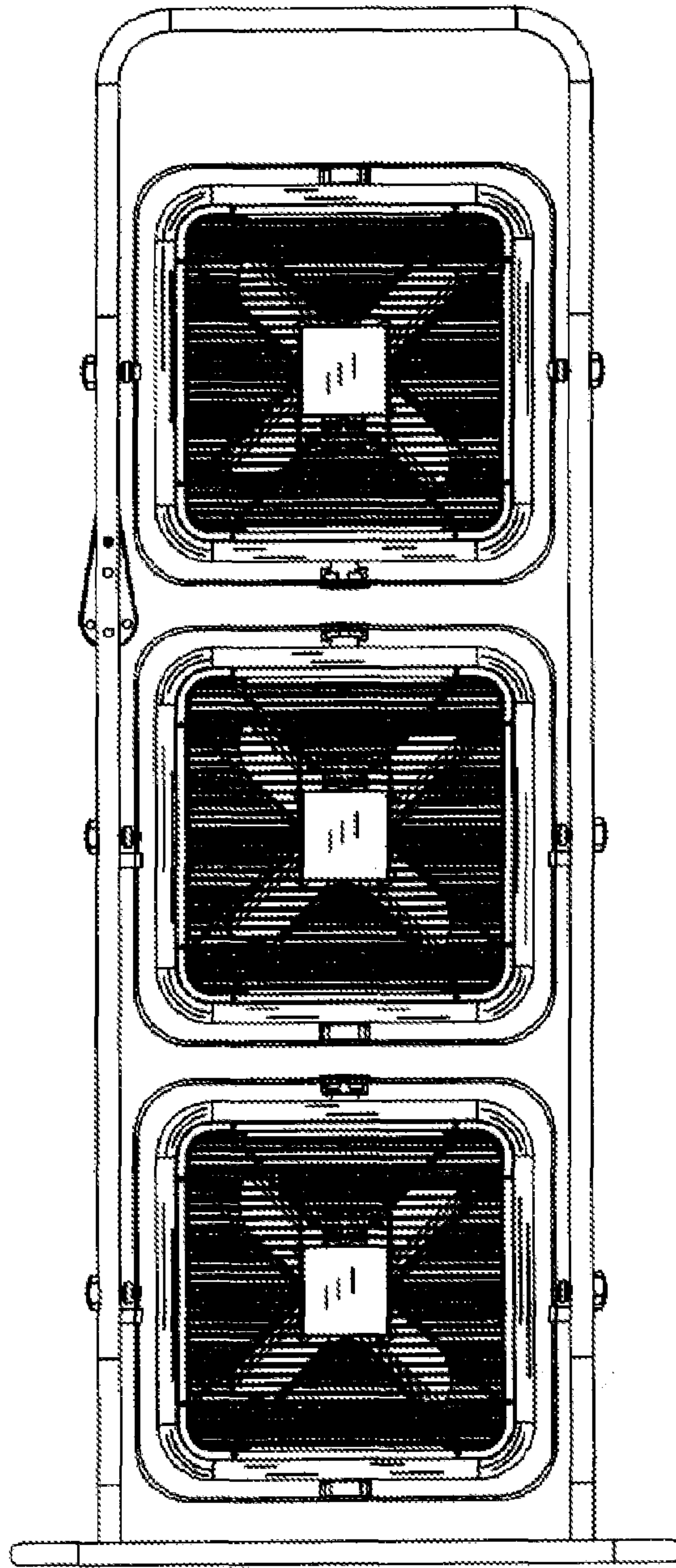


FIG. 5



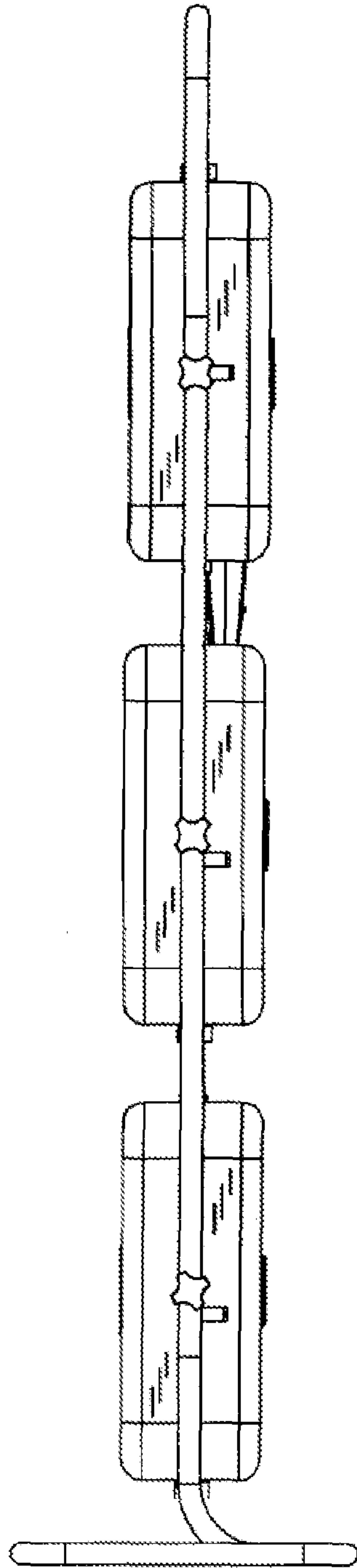


FIG. 6

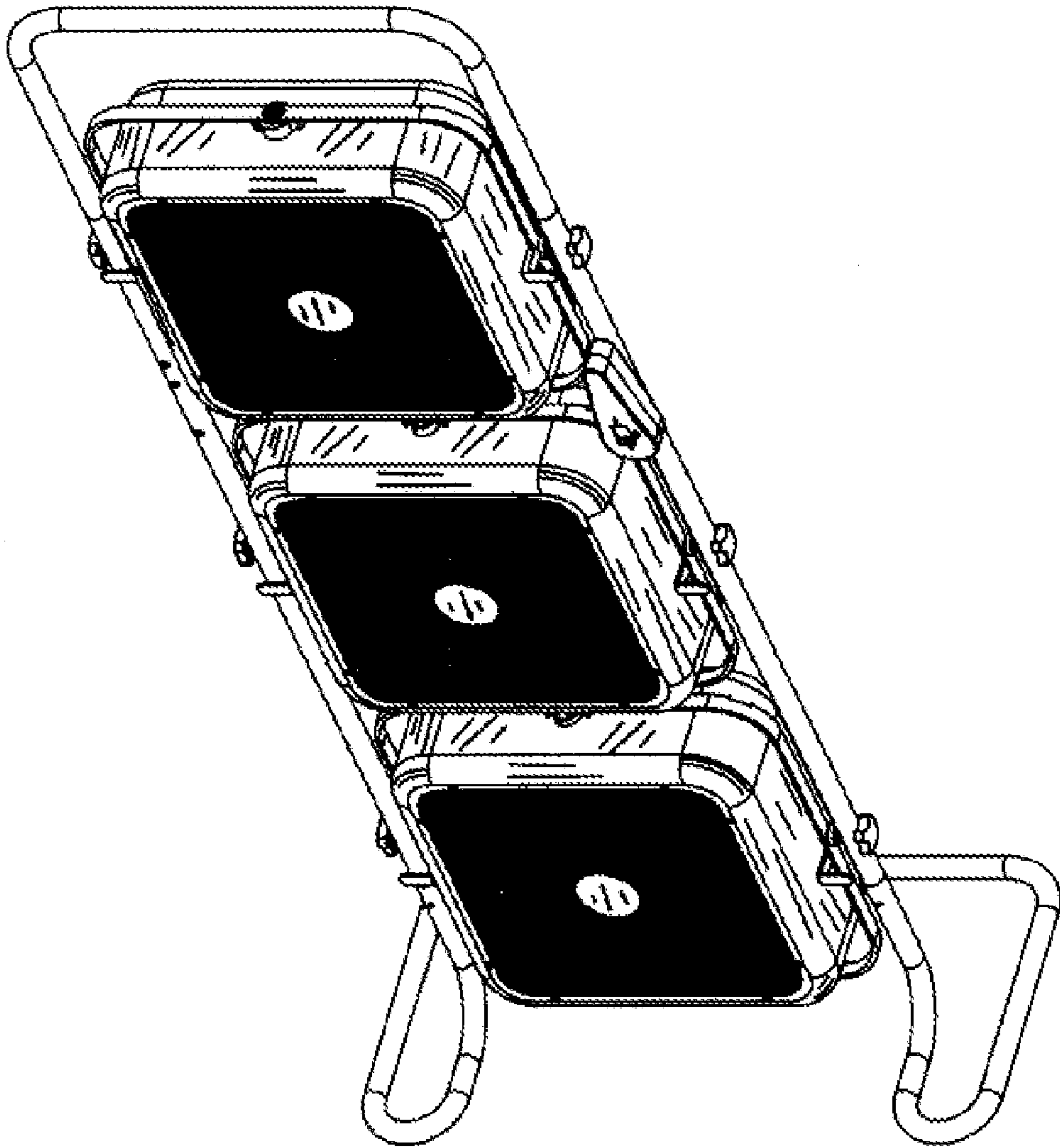


FIG. 7



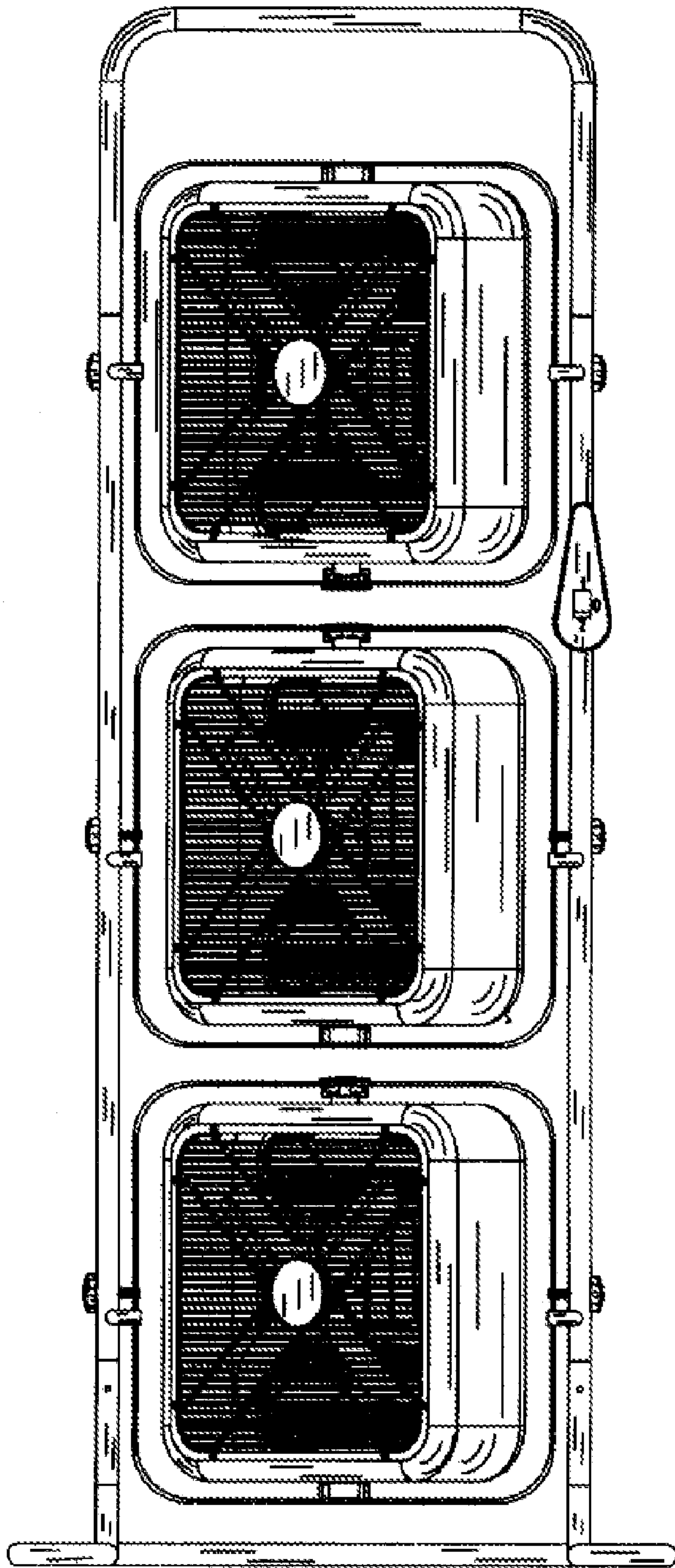


FIG. 8

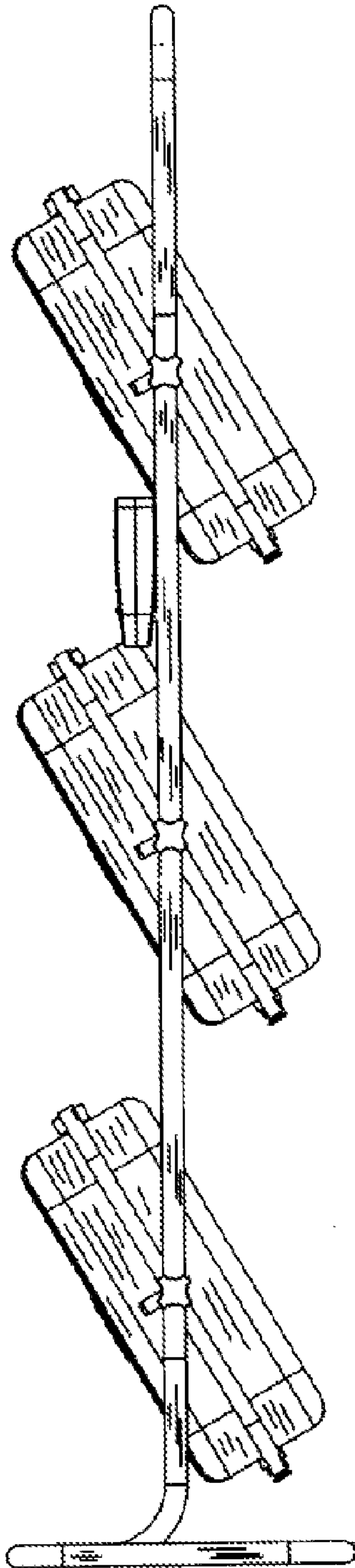


FIG. 9